

US00D507541S

(12) **United States Design Patent**
Bomar

(10) **Patent No.:** **US D507,541 S**

(45) **Date of Patent:** **** Jul. 19, 2005**

(54) **BONDING TAB**

(75) **Inventor:** **Richard Bomar**, Memphis, TN (US)

(73) **Assignee:** **Thomas & Betts International, Inc.**,
Sparks, NV (US)

(**) **Term:** **14 Years**

(21) **Appl. No.:** **29/209,323**

(22) **Filed:** **Jul. 14, 2004**

Related U.S. Application Data

(62) Division of application No. 29/187,777, filed on Aug. 7, 2003, now Pat. No. Des. 499,383, which is a division of application No. 29/161,079, filed on May 22, 2002, now Pat. No. Des. 481,684.

(51) **LOC (8) Cl.** **13-03**

(52) **U.S. Cl.** **D13/154**

(58) **Field of Search** D13/154, 156;
439/70, 71, 97; 174/50, 7 R, 50.54

(56) **References Cited**

U.S. PATENT DOCUMENTS

D297,410 S * 8/1988 Sachs D8/356
6,086,386 A * 7/2000 Fjelstad et al. 439/70
6,205,660 B1 * 3/2001 Fjelstad et al. 29/885

6,283,771 B1 * 9/2001 Mitchell et al. 439/95
2002/0125029 A1 * 9/2002 Hussaini 174/50

* cited by examiner

Primary Examiner—Jennifer Rivard

(74) *Attorney, Agent, or Firm*—G. Andrew Barger

(57) **CLAIM**

The ornamental design for a bonding tab, as shown and described.

DESCRIPTION

FIG. 1 is a perspective view of the triangular embodiment of the bonding tab design.

FIG. 2 is a top plan view of the triangular embodiment of the bonding tab design.

FIG. 3 is a side elevation view of the triangular embodiment of the bonding tab design.

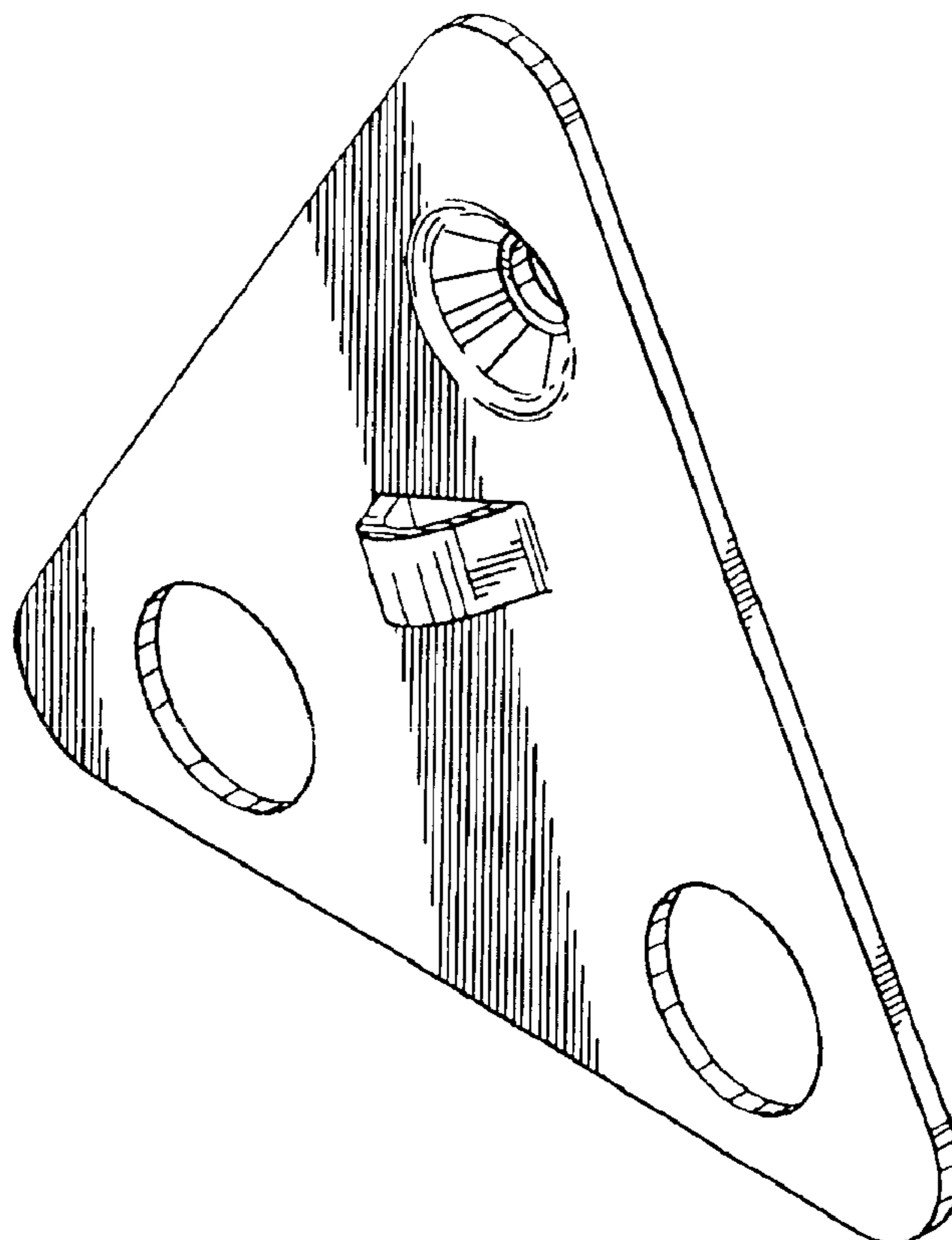
FIG. 4 is a bottom plan view of the triangular embodiment of the bonding tab design.

FIG. 5 is a raised side elevation view of the triangular embodiment of the bonding tab design.

FIG. 6 is a first end side elevation view of the triangular embodiment of the bonding tab design; and,

FIG. 7 is a second end side elevation view of the triangular embodiment of the bonding tab design.

1 Claim, 3 Drawing Sheets



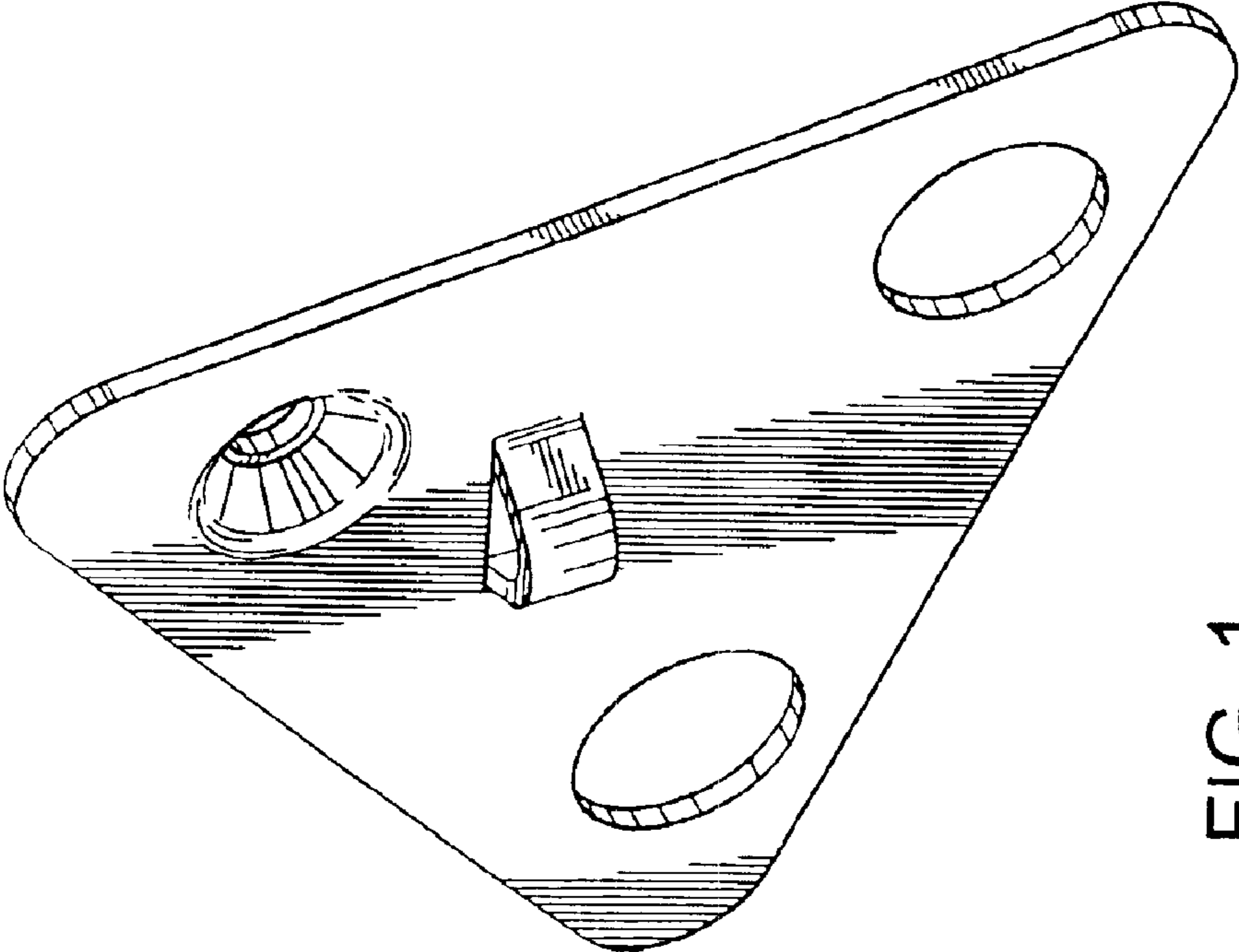


FIG. 1

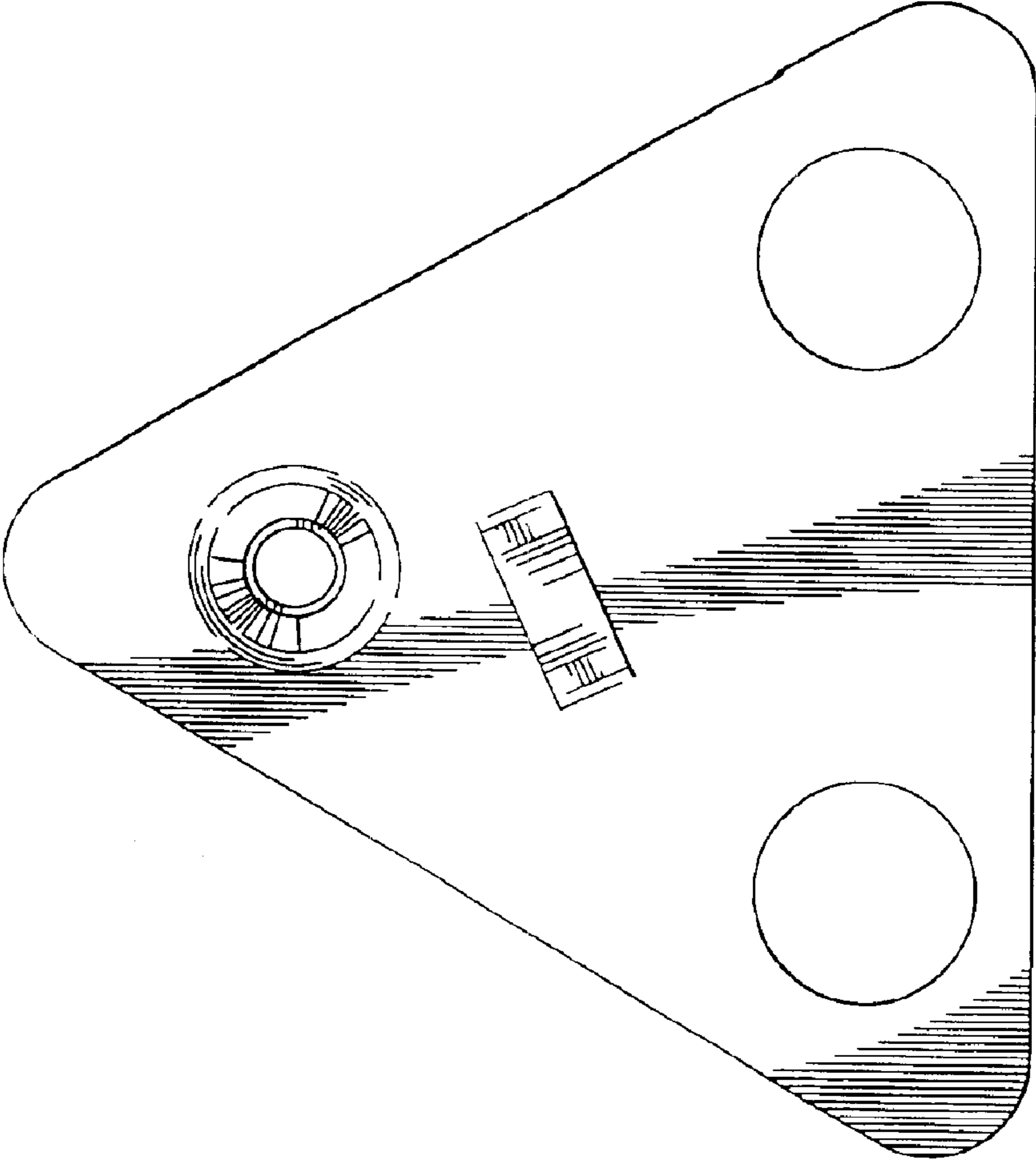


FIG. 2

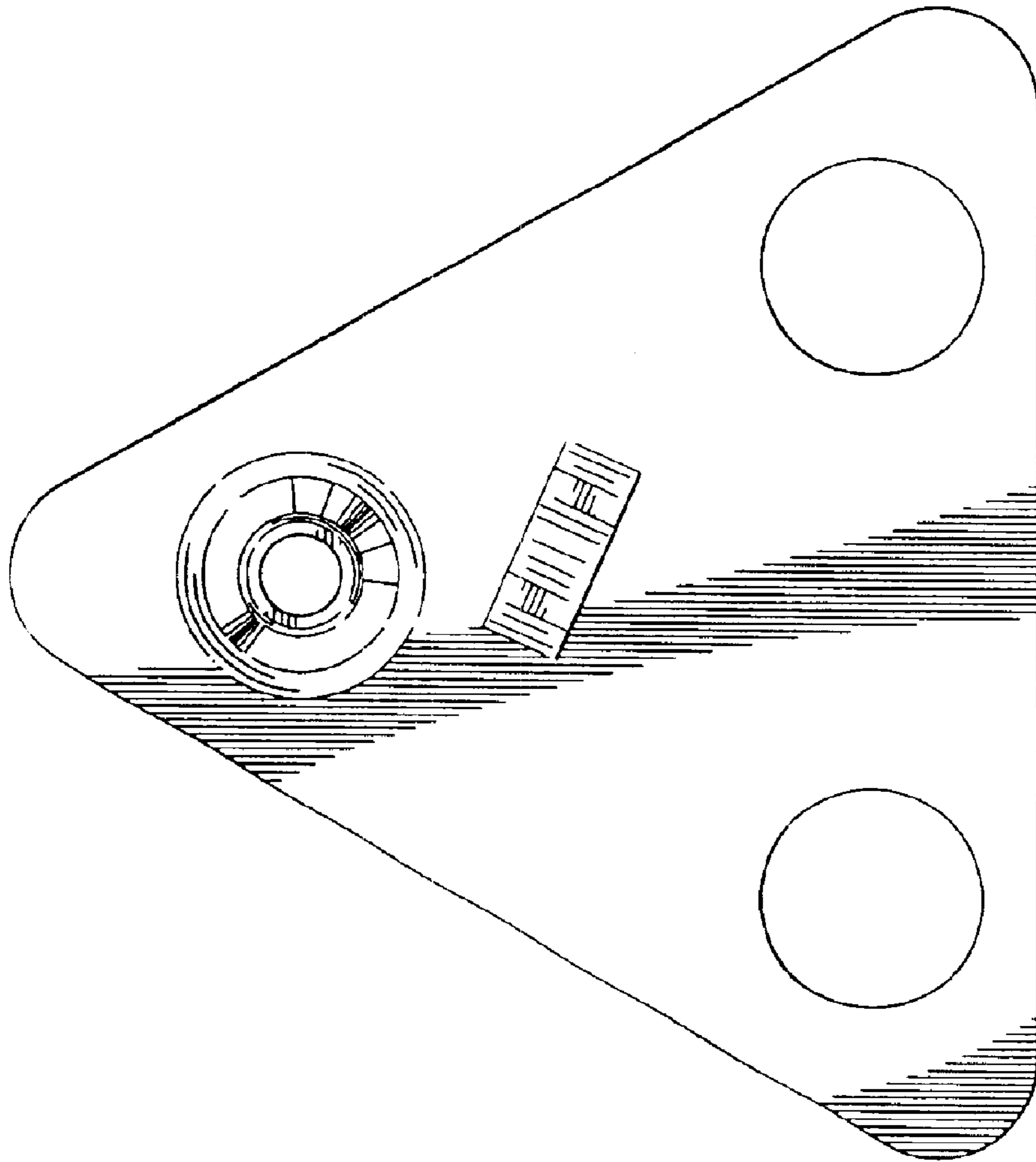


FIG. 4

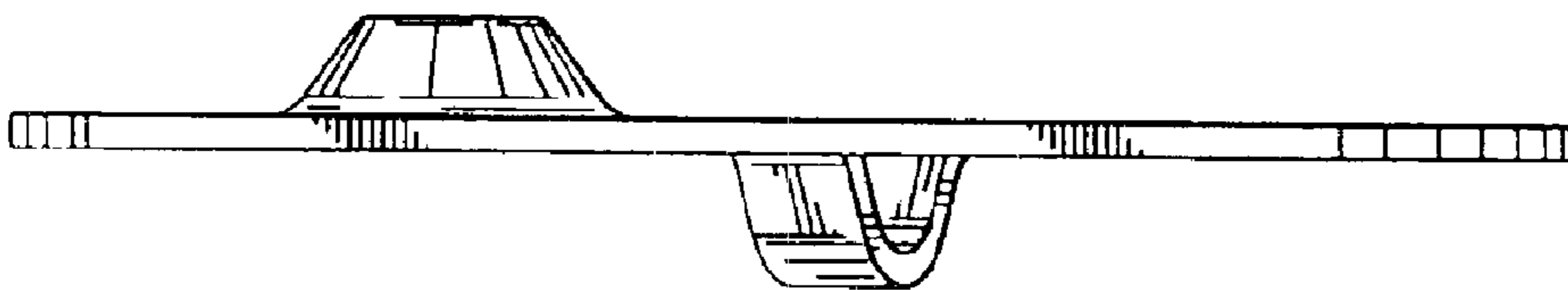


FIG. 3

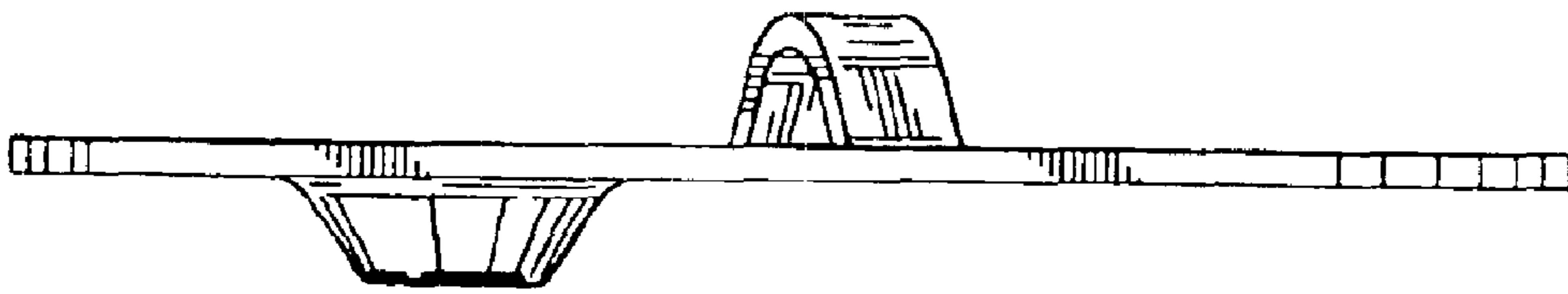


FIG. 5

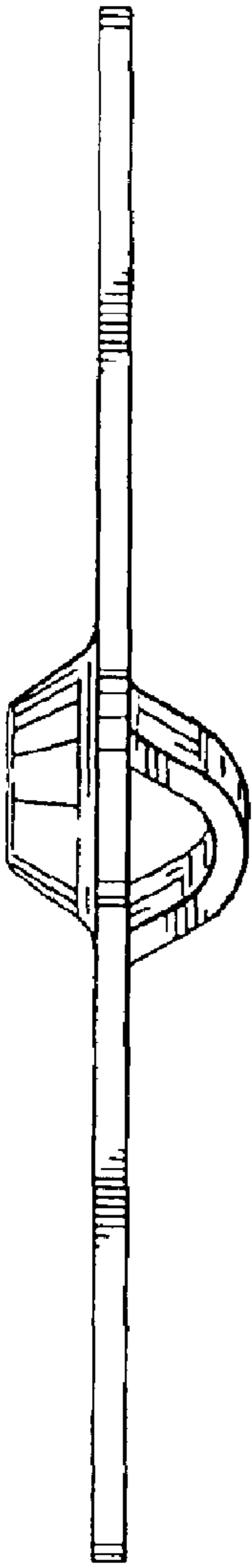


FIG. 6

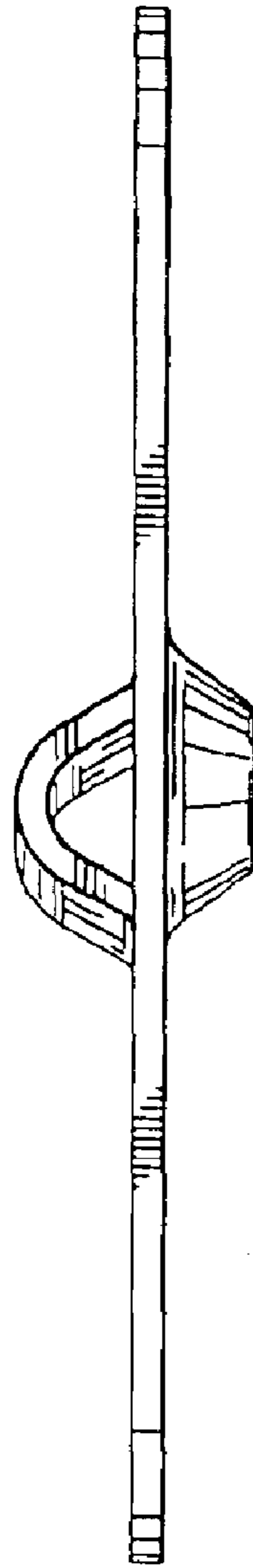


FIG. 7