

US00D507540S

(12) **United States Design Patent**
Suckle

(10) **Patent No.:** **US D507,540 S**

(45) **Date of Patent:** **** Jul. 19, 2005**

(54) **CABLE HEAD**

(75) **Inventor:** **Mitchell Suckle**, Long Beach, CA (US)

(73) **Assignee:** **Belkin Corporation**, Compton, CA (US)

(**) **Term:** **14 Years**

(21) **Appl. No.:** **29/203,420**

(22) **Filed:** **Apr. 13, 2004**

(51) **LOC (8) Cl. 13-03**

(52) **U.S. Cl. D13/154**

(58) **Field of Search D13/147, 154;**
439/357, 358, 610

(56) **References Cited**

U.S. PATENT DOCUMENTS

D229,314 S	11/1973	Amp Inc.	
4,838,808 A	6/1989	Fujiura	
D368,696 S *	4/1996	Nagele et al.	D13/133
D415,111 S	10/1999	Lee	
6,139,365 A *	10/2000	Lok	439/607
D444,788 S	7/2001	Do et al.	
6,290,530 B1 *	9/2001	Chang	439/378
D455,401 S	4/2002	Goto	
D461,452 S *	8/2002	Yeh	D13/147
6,428,357 B1	8/2002	Dolinshek et al.	

6,773,293 B1 *	8/2004	Lee	439/357
6,776,646 B2 *	8/2004	Lee	439/357
2004/0097133 A1 *	5/2004	Liu	439/606

OTHER PUBLICATIONS

U.S. Appl. No. 29/196,897, filed Jan. 6, 2004, Suckle et al.

* cited by examiner

Primary Examiner—Alan P. Douglas

Assistant Examiner—Cynthia M. Chin

(74) *Attorney, Agent, or Firm*—Bryan Cave LLP

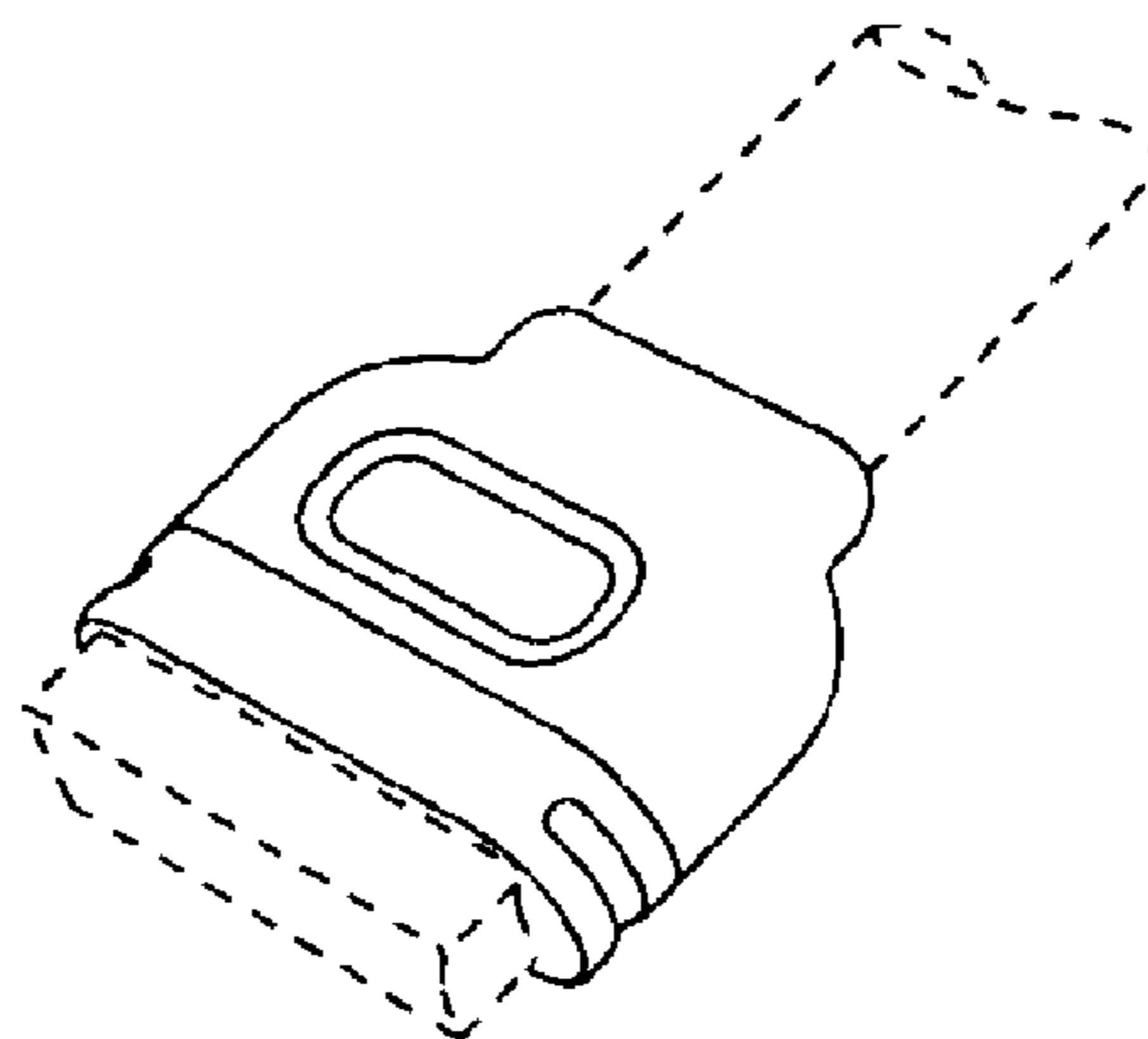
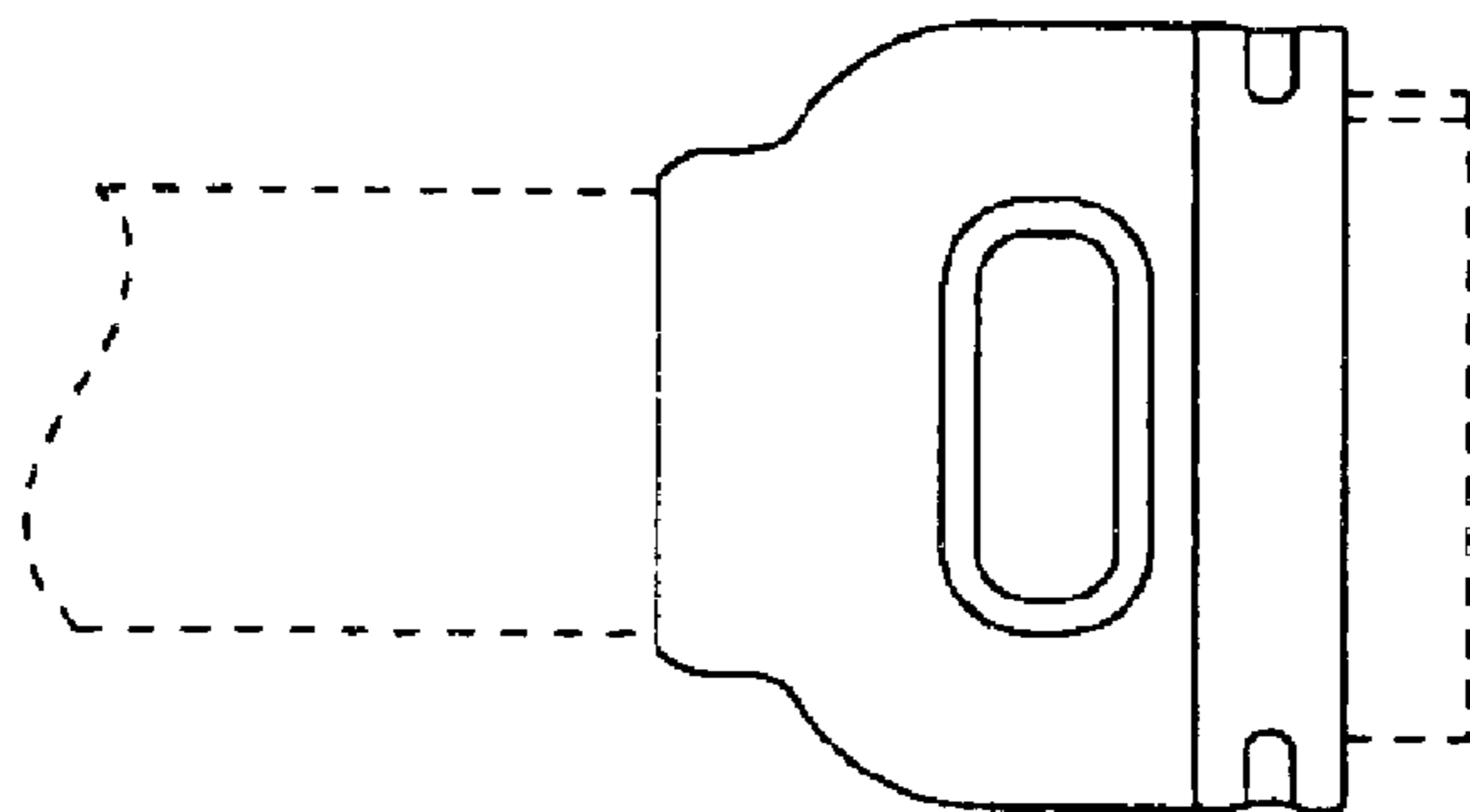
(57) **CLAIM**

The ornamental design for the cable head, as shown and described.

DESCRIPTION

FIG. 1 is a top planar view of a cable head; FIG. 2 is a bottom planar view thereof; FIG. 3 is a right elevational view thereof; FIG. 4 is a left elevational view thereof; FIG. 5 is a front elevational view thereof; FIG. 6 is a rear elevational view thereof; FIG. 7 is a front, right, top isometric view thereof; and, FIG. 8 is a rear, left, bottom isometric view thereof. The broken lines are for illustrative purposes only and form no part of the claimed design.

1 Claim, 1 Drawing Sheet



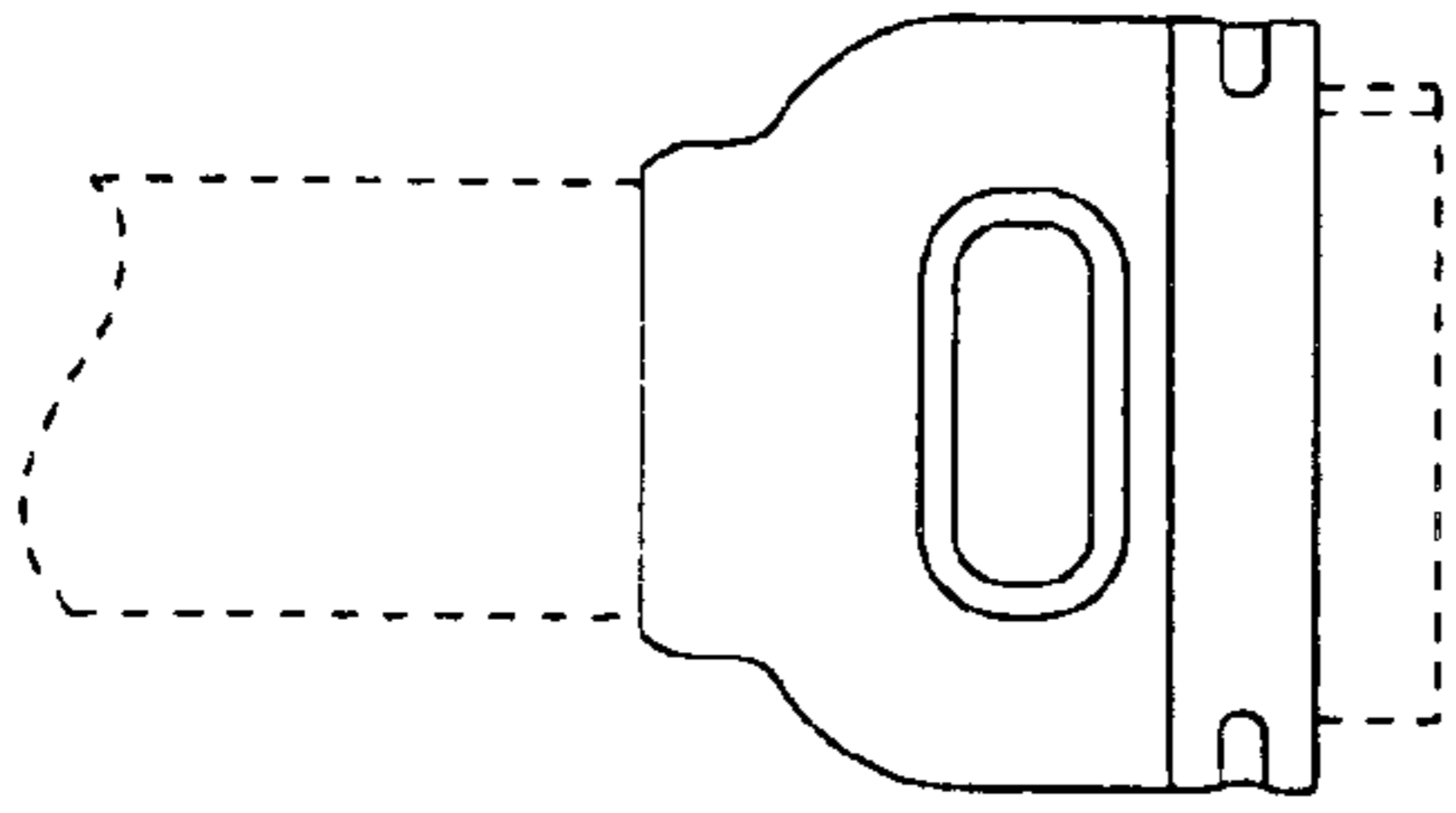


FIG. 1

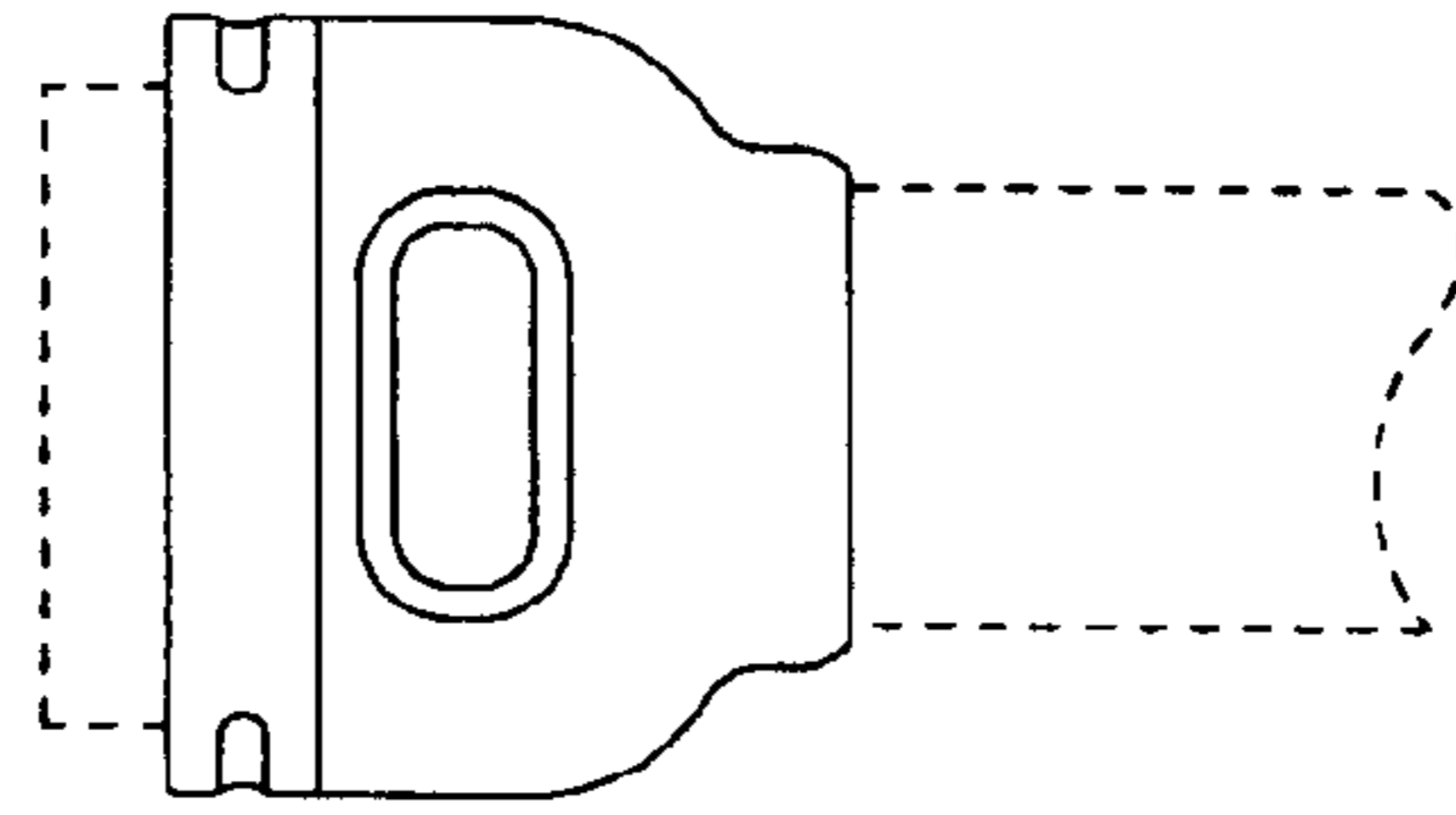


FIG. 2

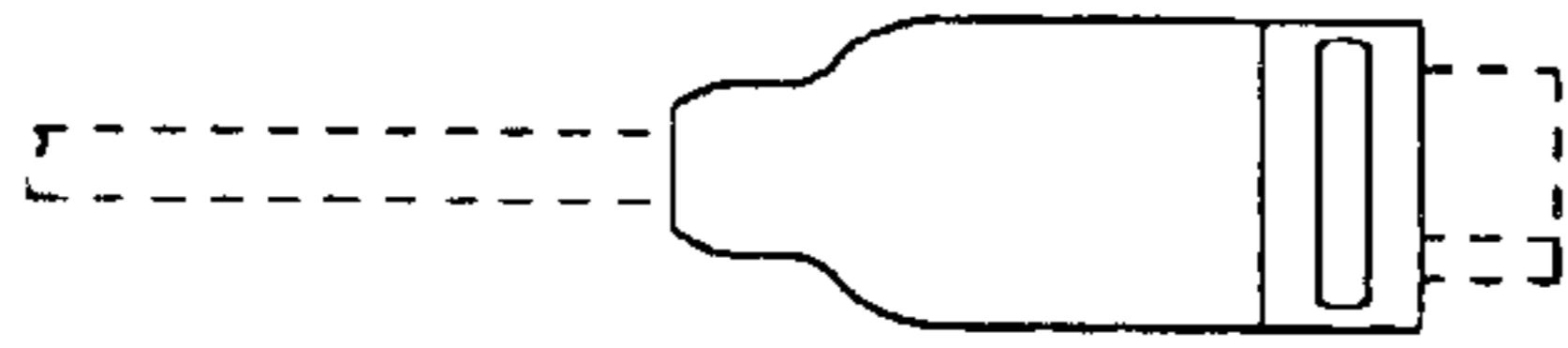


FIG. 3

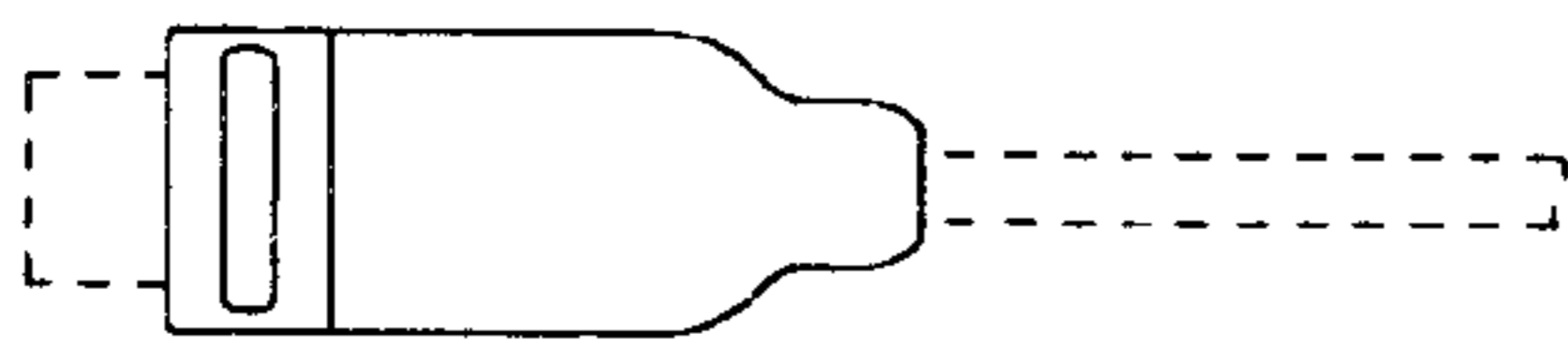


FIG. 4

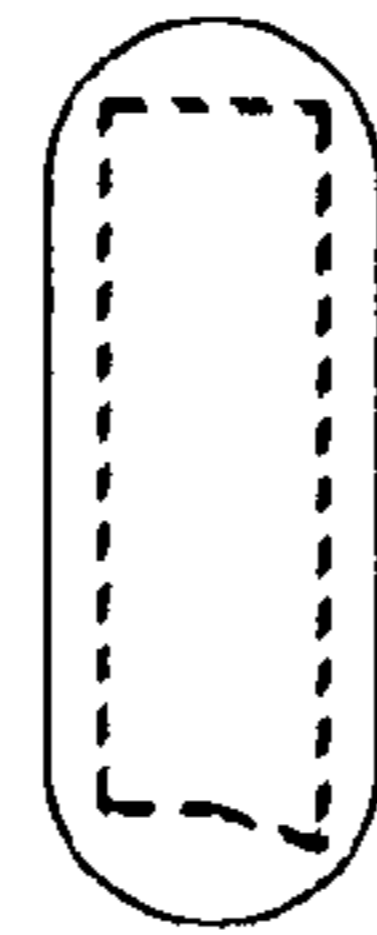


FIG. 5

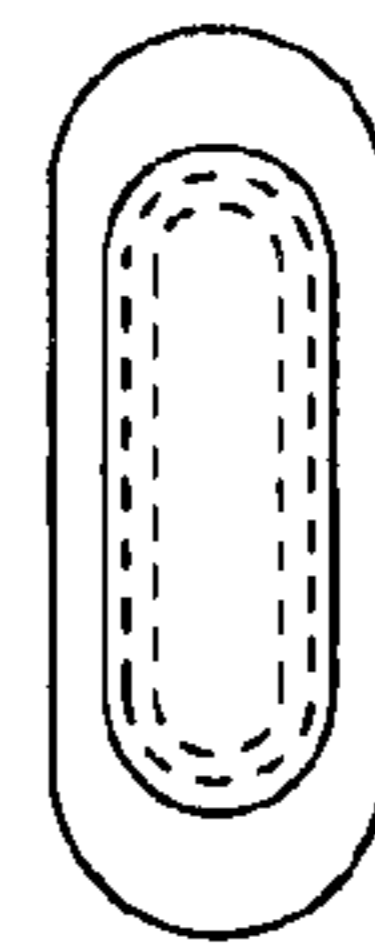


FIG. 6

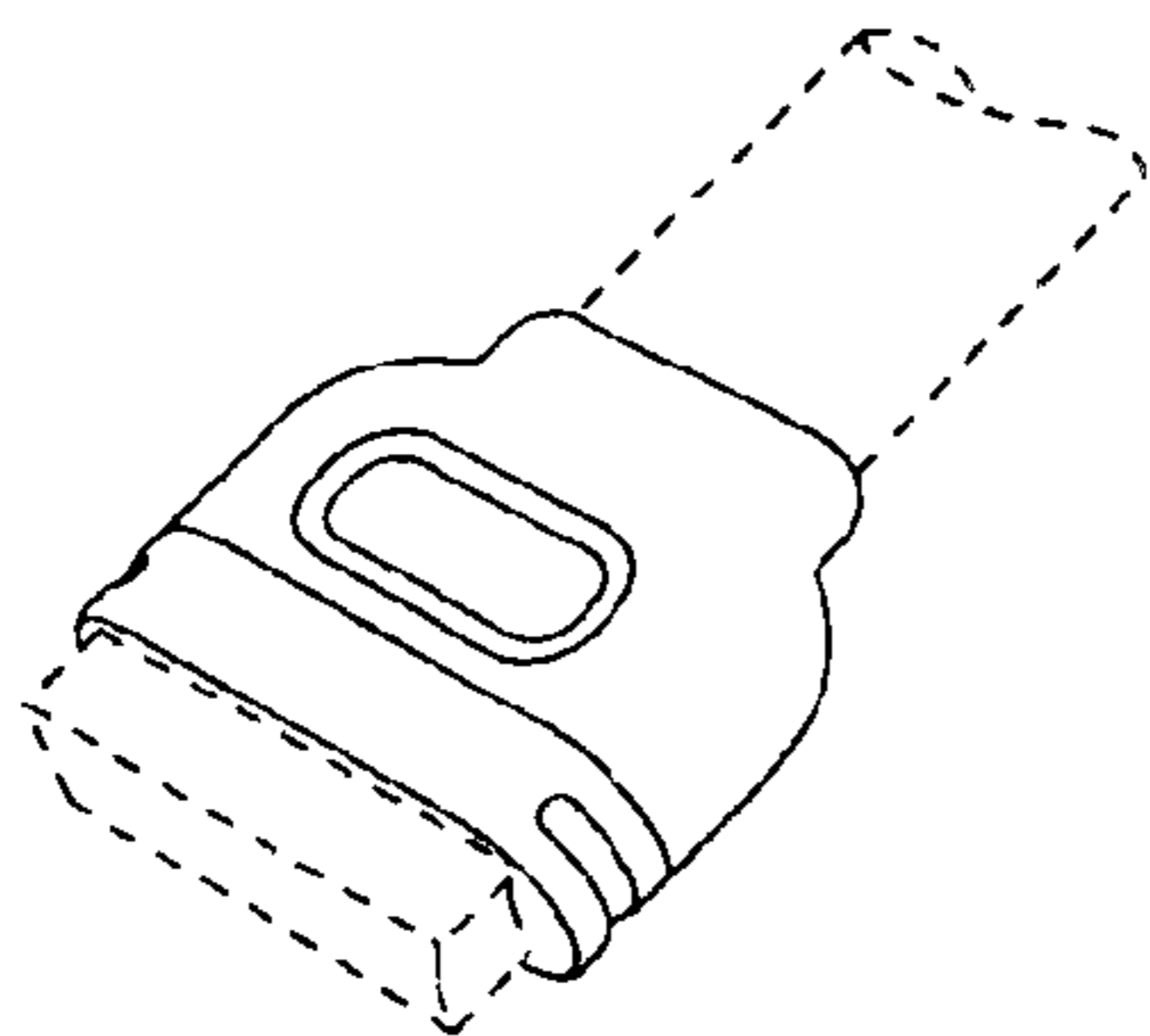


FIG. 7

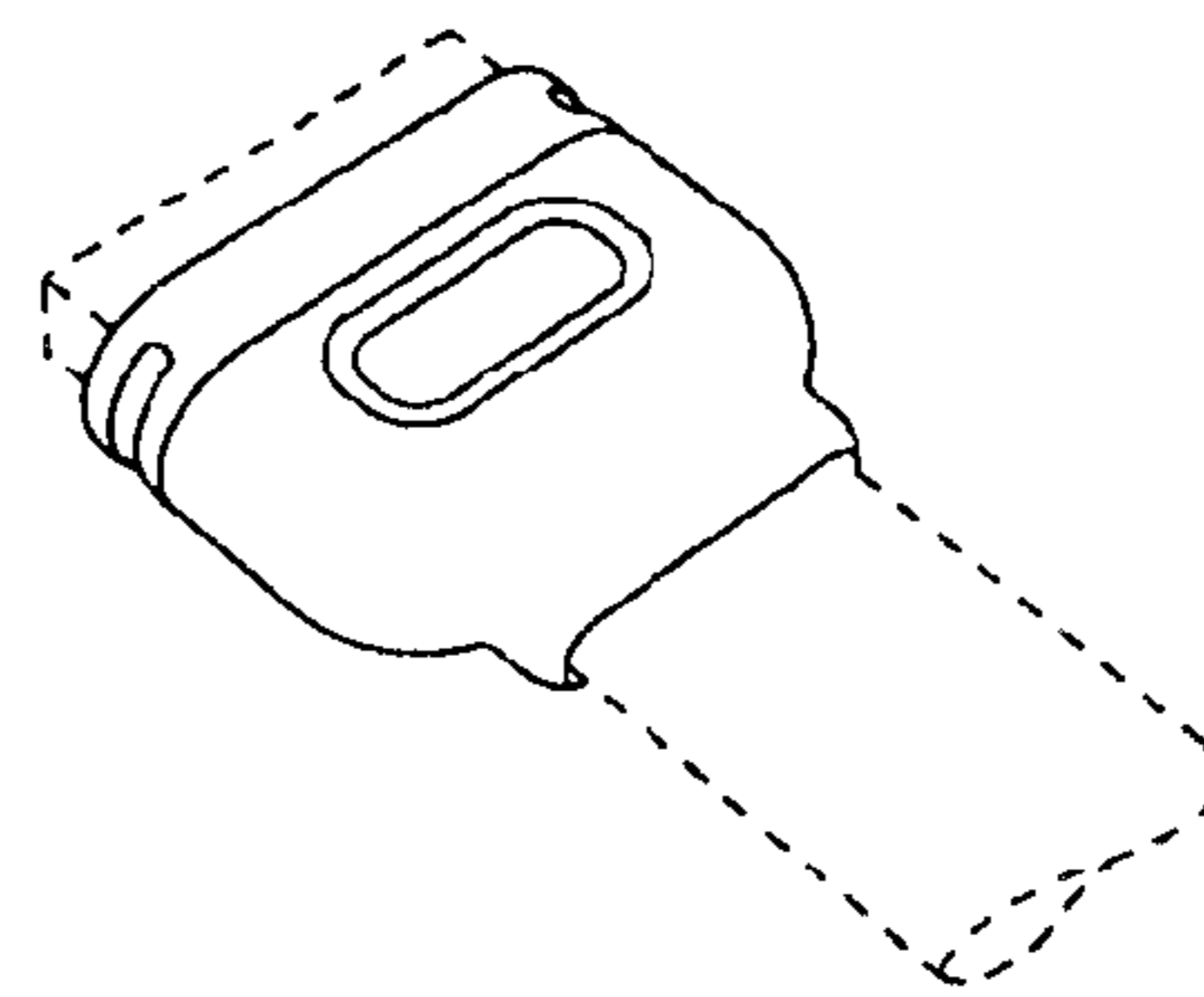


FIG. 8