



US00D507539S

(12) **United States Design Patent**
Hull et al.

(10) **Patent No.: US D507,539 S**

(45) **Date of Patent: ** Jul. 19, 2005**

(54) **ELECTRICAL MUD BOX**

609,356 A * 8/1898 Krantz 220/3.8

(75) Inventors: **Eric G. Hull**, Madison, OH (US);
Charles H. Riedy, Lakewood, OH
(US); **Robert M. Gudin**, Willoughby,
OH (US)

* cited by examiner

Primary Examiner—Alan P. Douglas
(74) *Attorney, Agent, or Firm*—Jones Day

(73) Assignee: **The Lamson & Sessions Co.**,
Cleveland, OH (US)

(57) **CLAIM**

The ornamental design for an electrical mud box, as shown
and described.

(**) Term: **14 Years**

DESCRIPTION

(21) Appl. No.: **29/191,433**

FIG. 1 is a top perspective view of our new design for an
electrical mud box;

(22) Filed: **Oct. 7, 2003**

FIG. 2 is a bottom perspective view thereof;

(51) **LOC (8) Cl.** **13-03**

(52) **U.S. Cl.** **D13/152**

FIG. 3 is a top view thereof;

(58) **Field of Search** D13/152, 133;

156/47; 174/15.5, 34, 50, 58; 439/949;

220/3.2

FIG. 4 is a bottom view thereof;

FIG. 5 is a side view thereof;

FIG. 6 is an opposite side view thereof;

FIG. 7 is a different side view thereof; and,

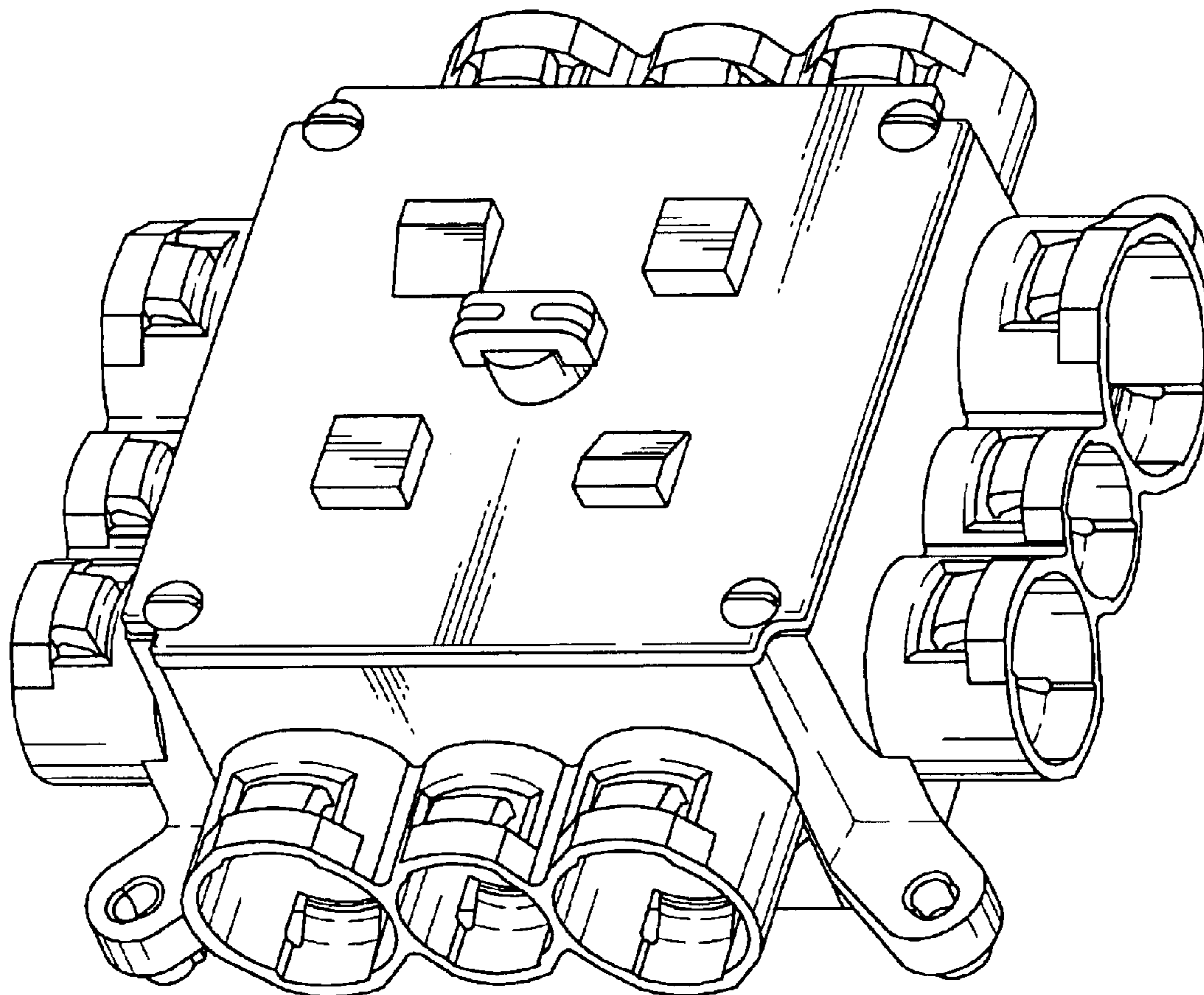
FIG. 8 is an opposite side view thereof.

(56) **References Cited**

U.S. PATENT DOCUMENTS

607,989 A * 7/1898 Erickson et al. 220/3.94

1 Claim, 6 Drawing Sheets



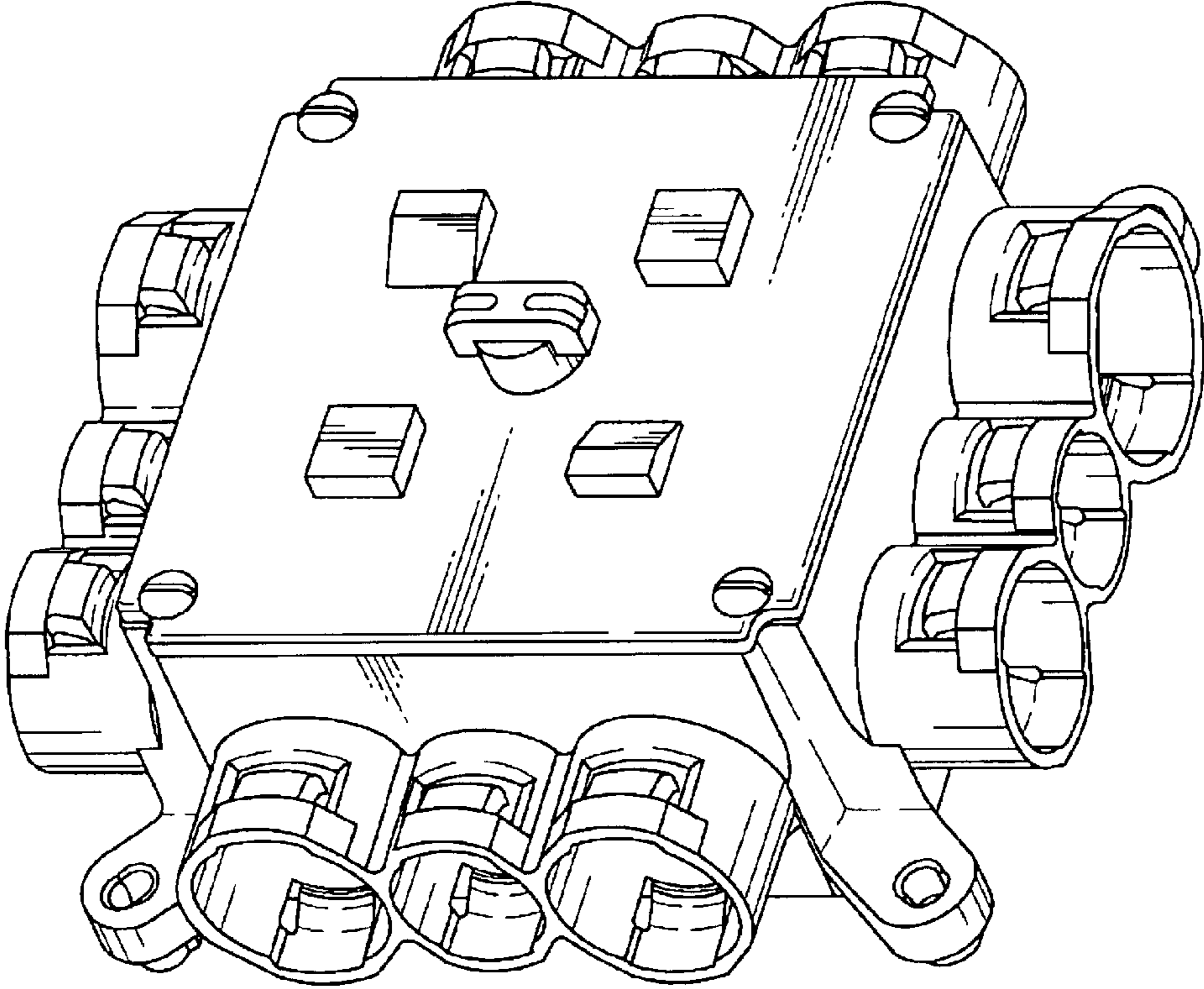


FIG. 1

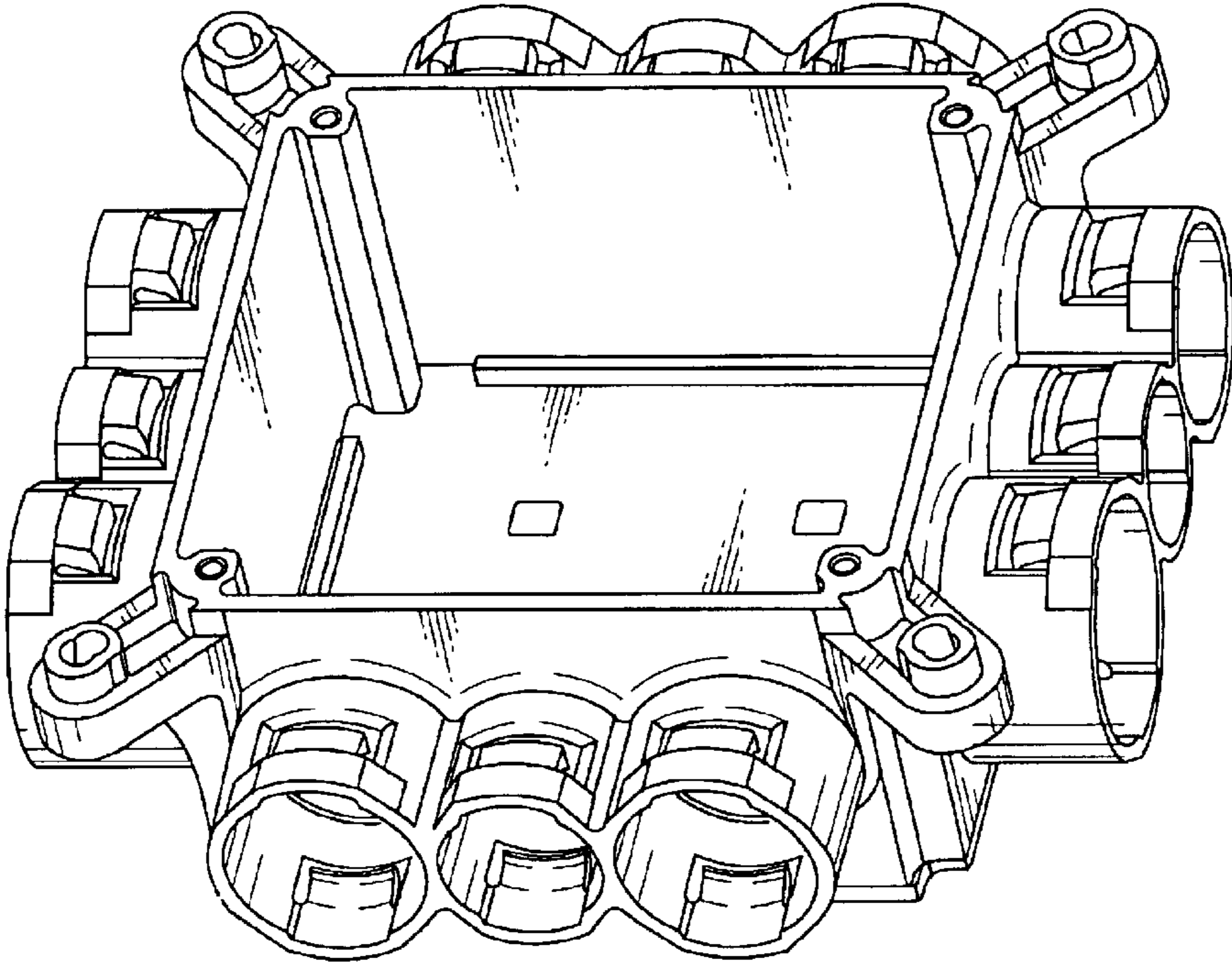


FIG. 2

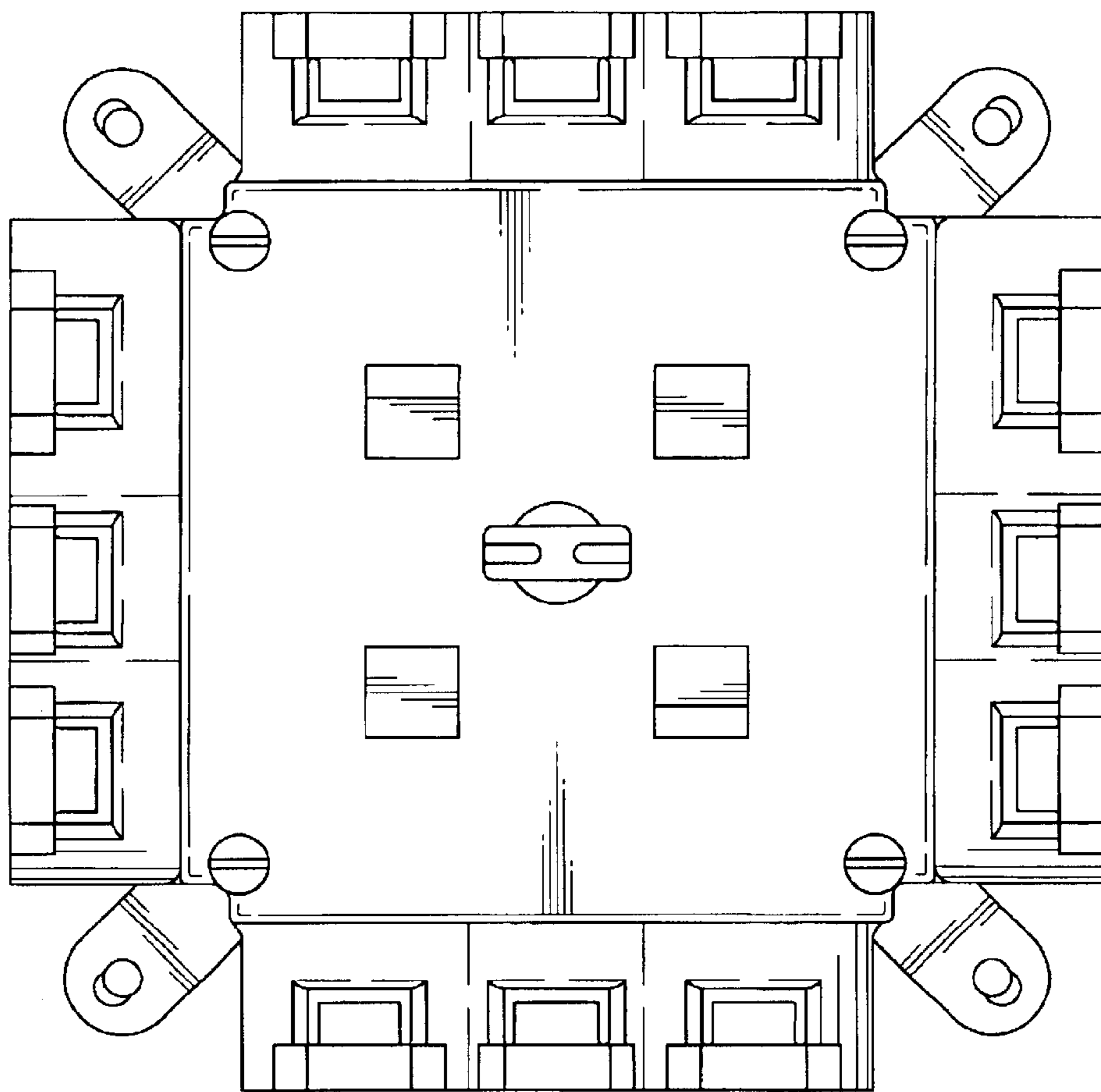


FIG. 3

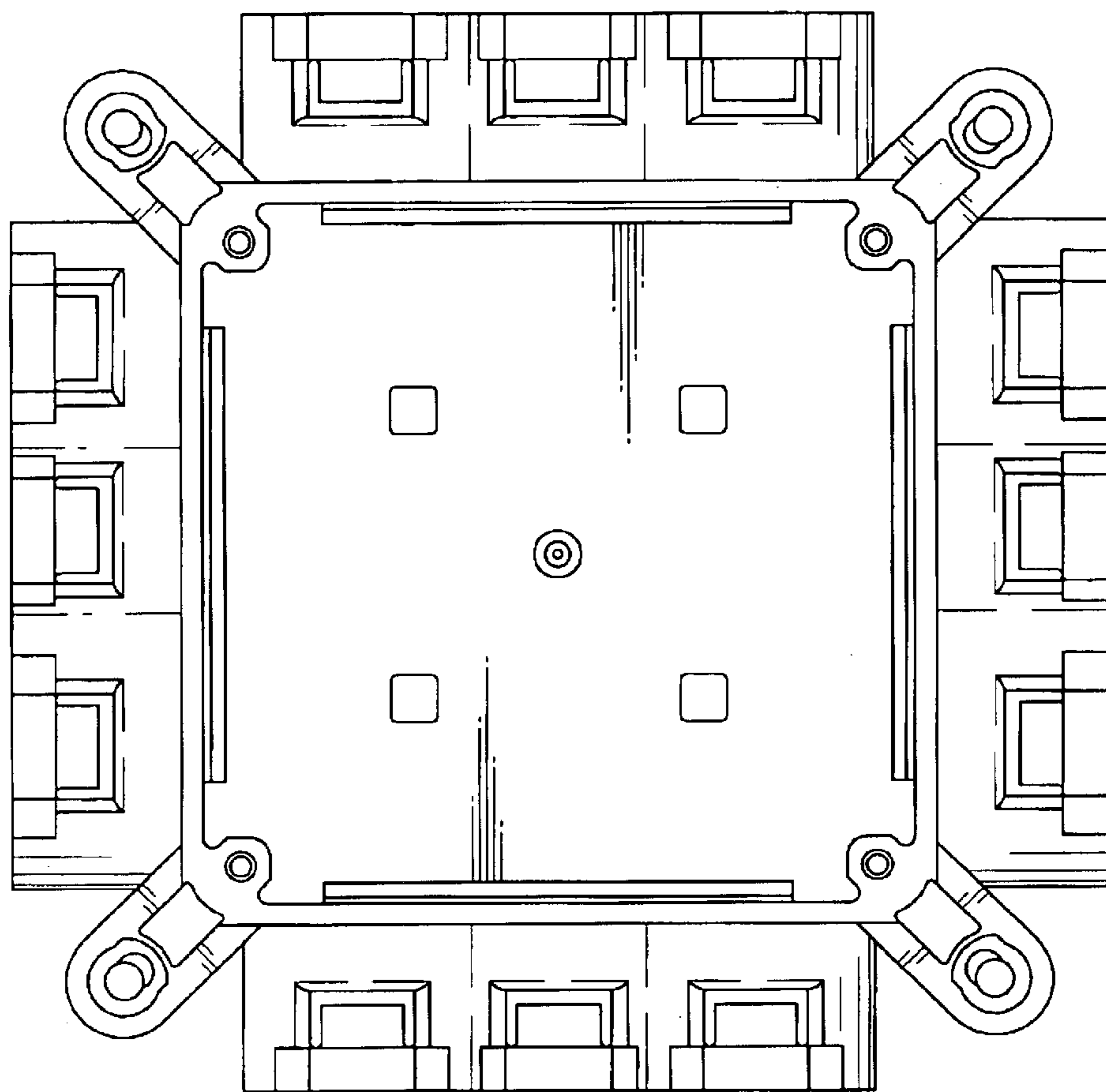


FIG. 4

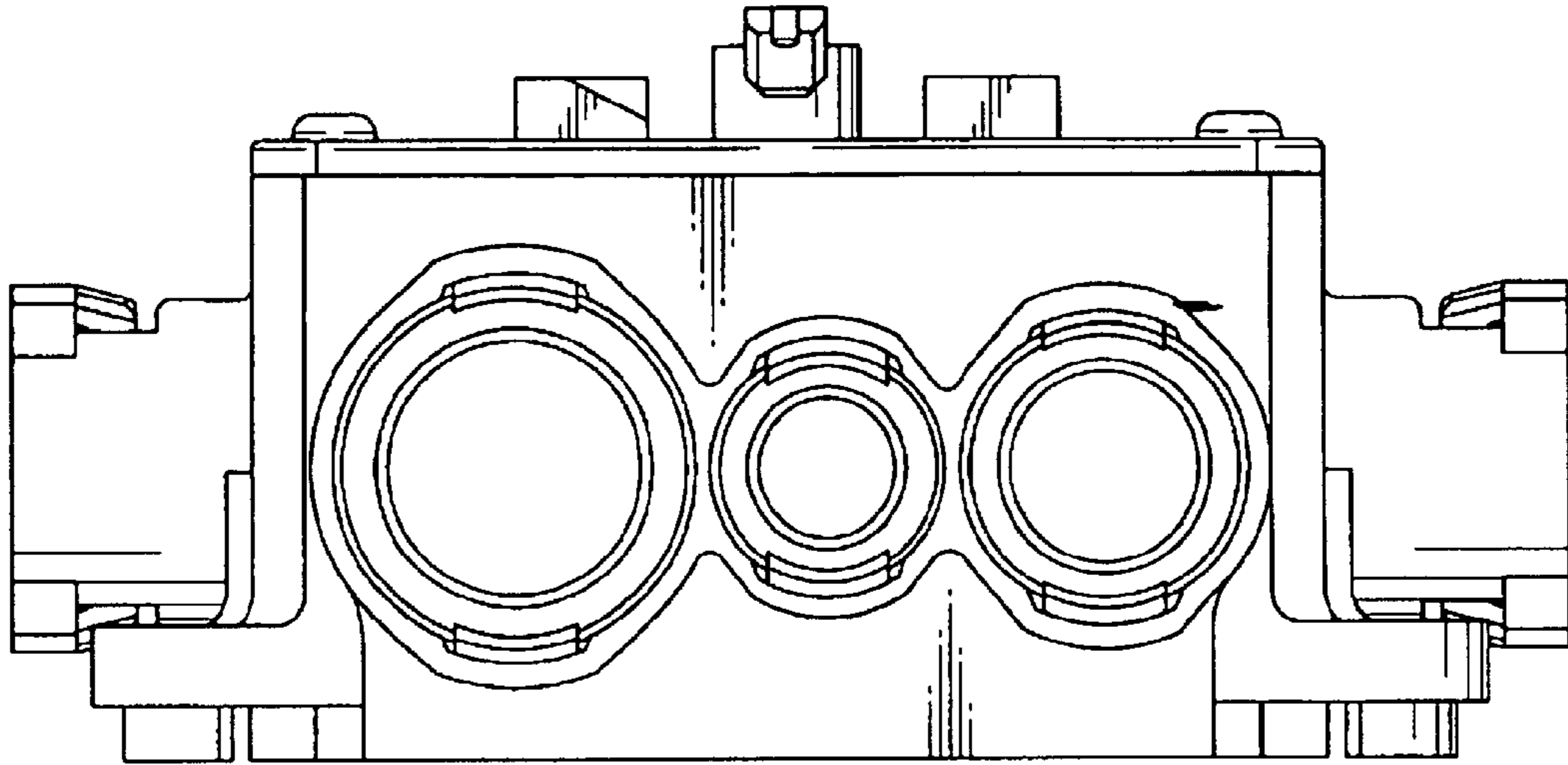


FIG. 5

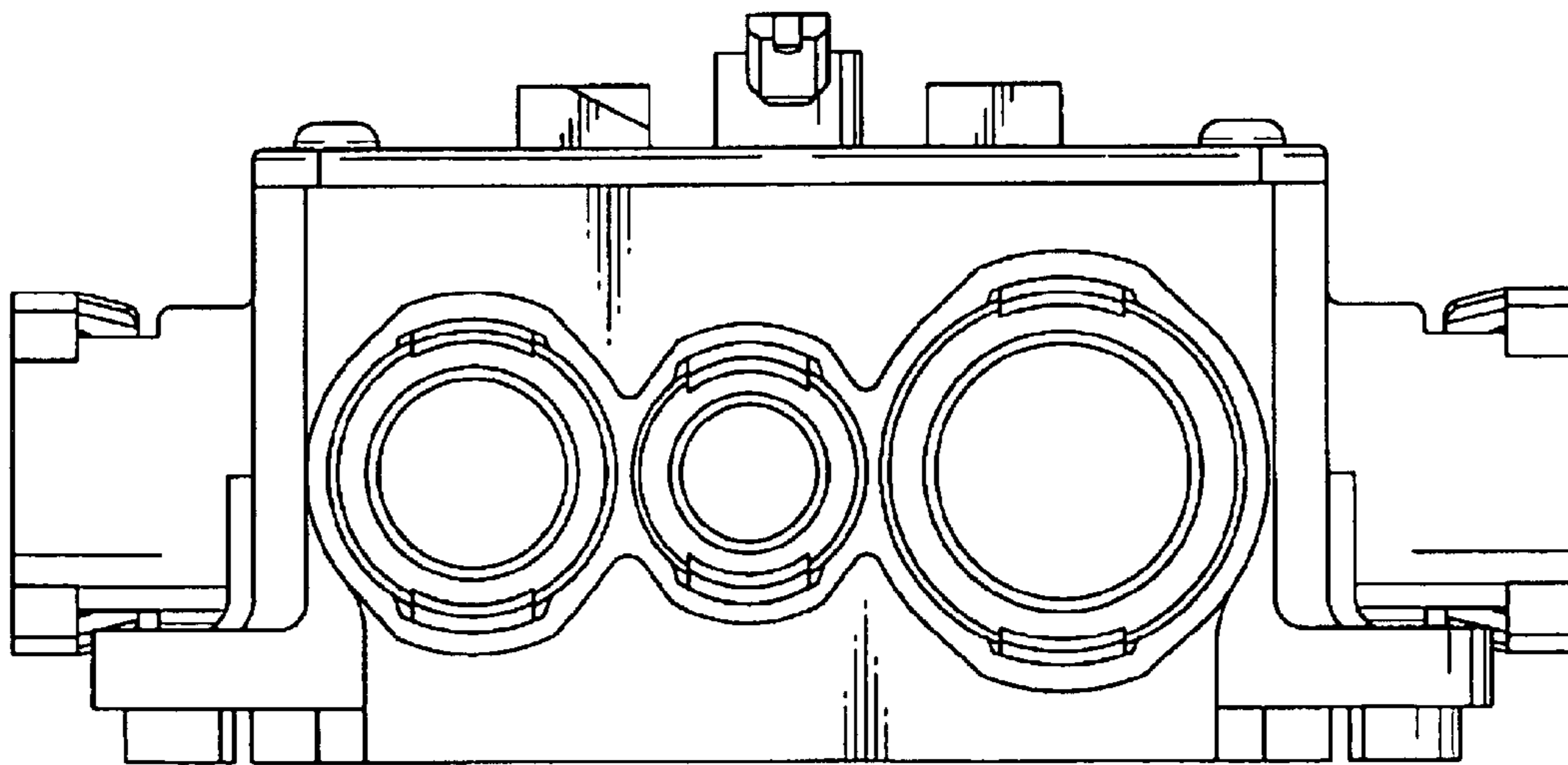


FIG. 6

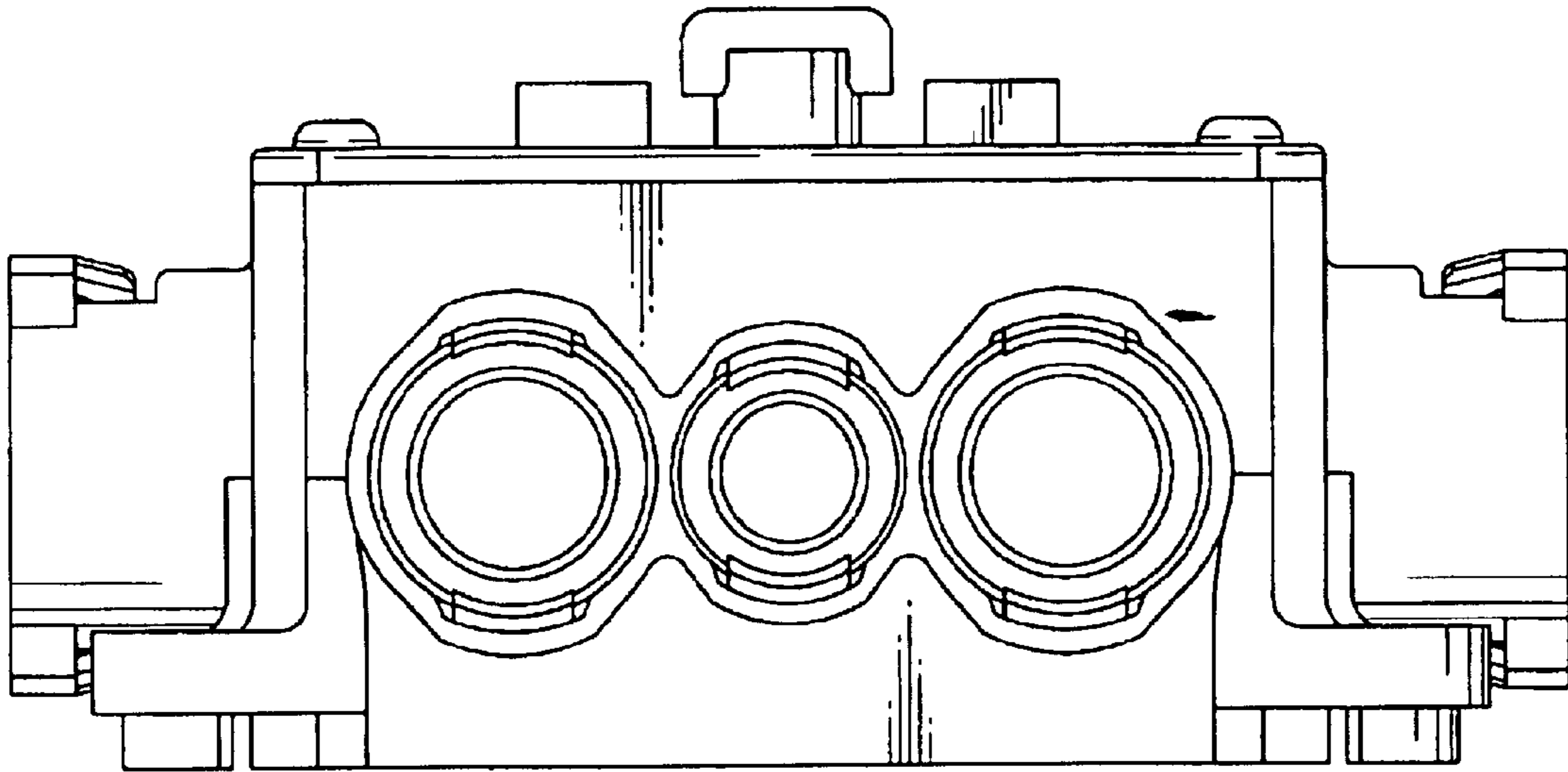


FIG. 7

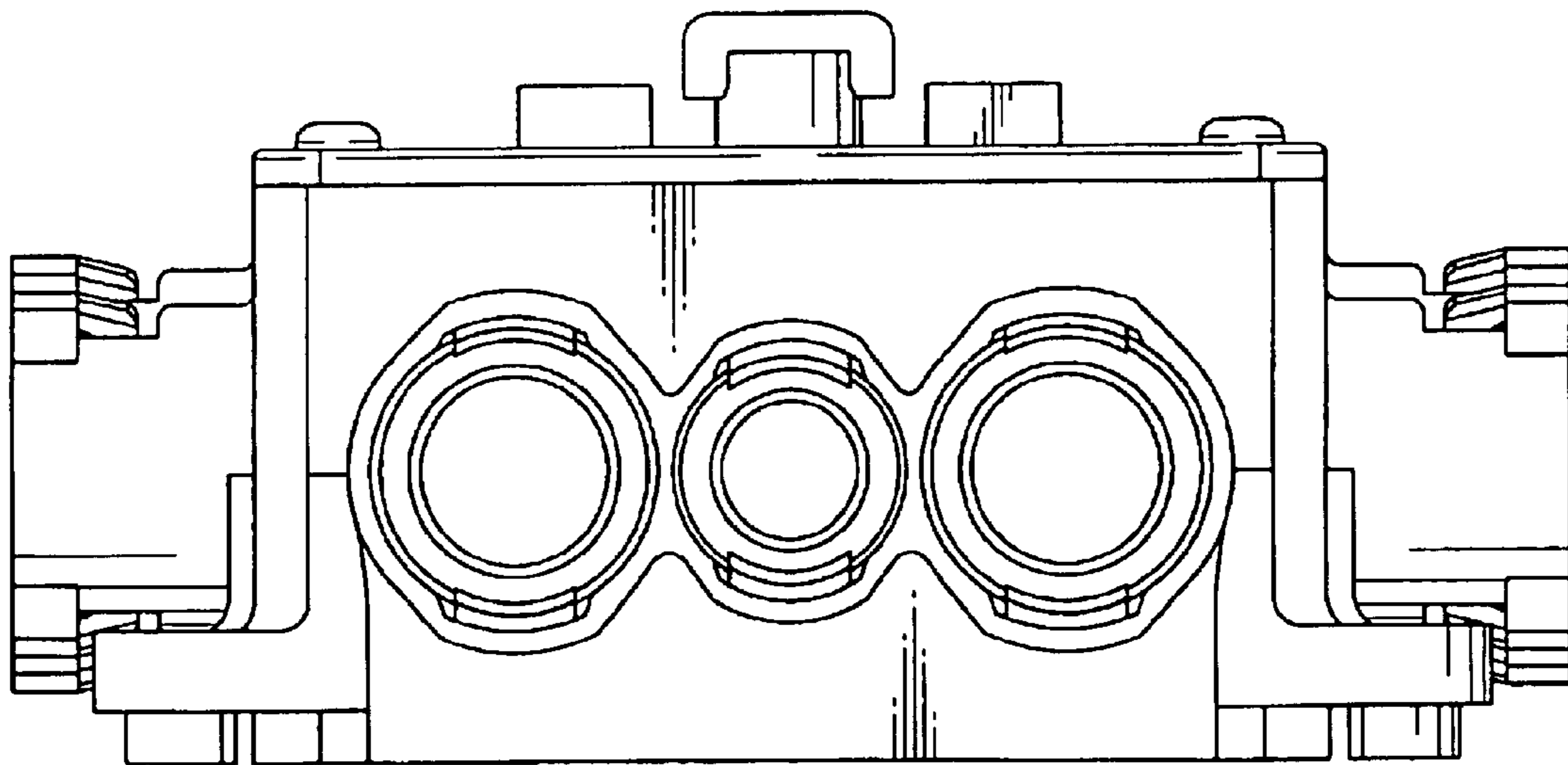


FIG. 8