

US00D507538S

(12) **United States Design Patent**
Wang

(10) **Patent No.:** **US D507,538 S**
(45) **Date of Patent:** **** Jul. 19, 2005**

(54) **ELECTRICAL CONNECTOR**

D465,767 S * 11/2002 Zhu et al. D13/147

(75) Inventor: **Eric Wang**, Taipei Hsien (TW)

* cited by examiner

(73) Assignee: **Advanced Connection Technology, Inc.**, Taipei Hsien (TW)

Primary Examiner—Stella Reid
Assistant Examiner—Selina Sikder
(74) *Attorney, Agent, or Firm*—Baker Botts L.L.P.

(**) Term: **14 Years**

(57) **CLAIM**

(21) Appl. No.: **29/204,967**

The ornamental design for electrical connector, as shown and described.

(22) Filed: **May 7, 2004**

(51) **LOC (8) Cl.** **13-03**

(52) **U.S. Cl.** **D13/147**

(58) **Field of Search** D13/147; 439/74,
439/79, 83, 108, 181, 607–610

DESCRIPTION

(56) **References Cited**

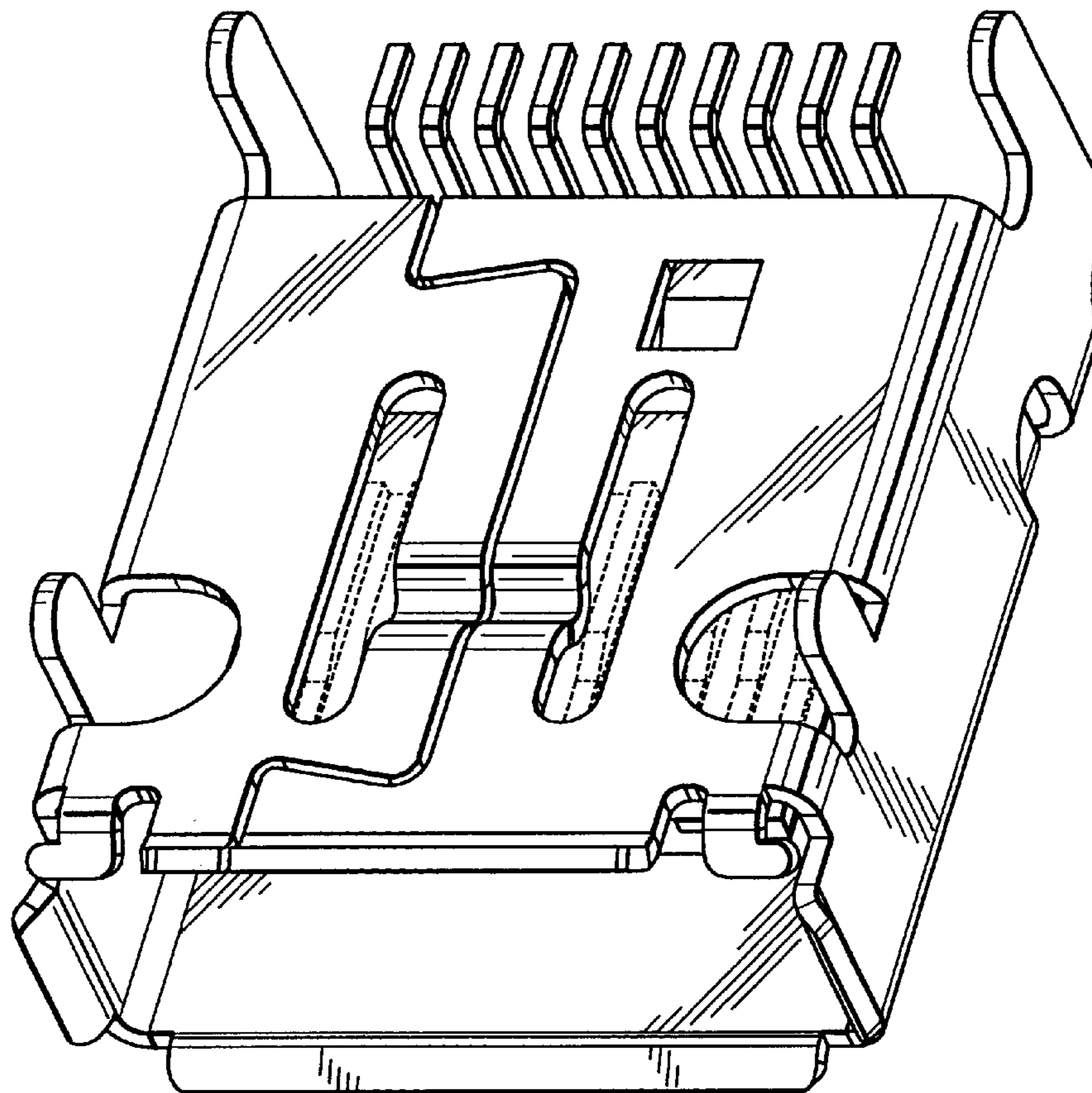
U.S. PATENT DOCUMENTS

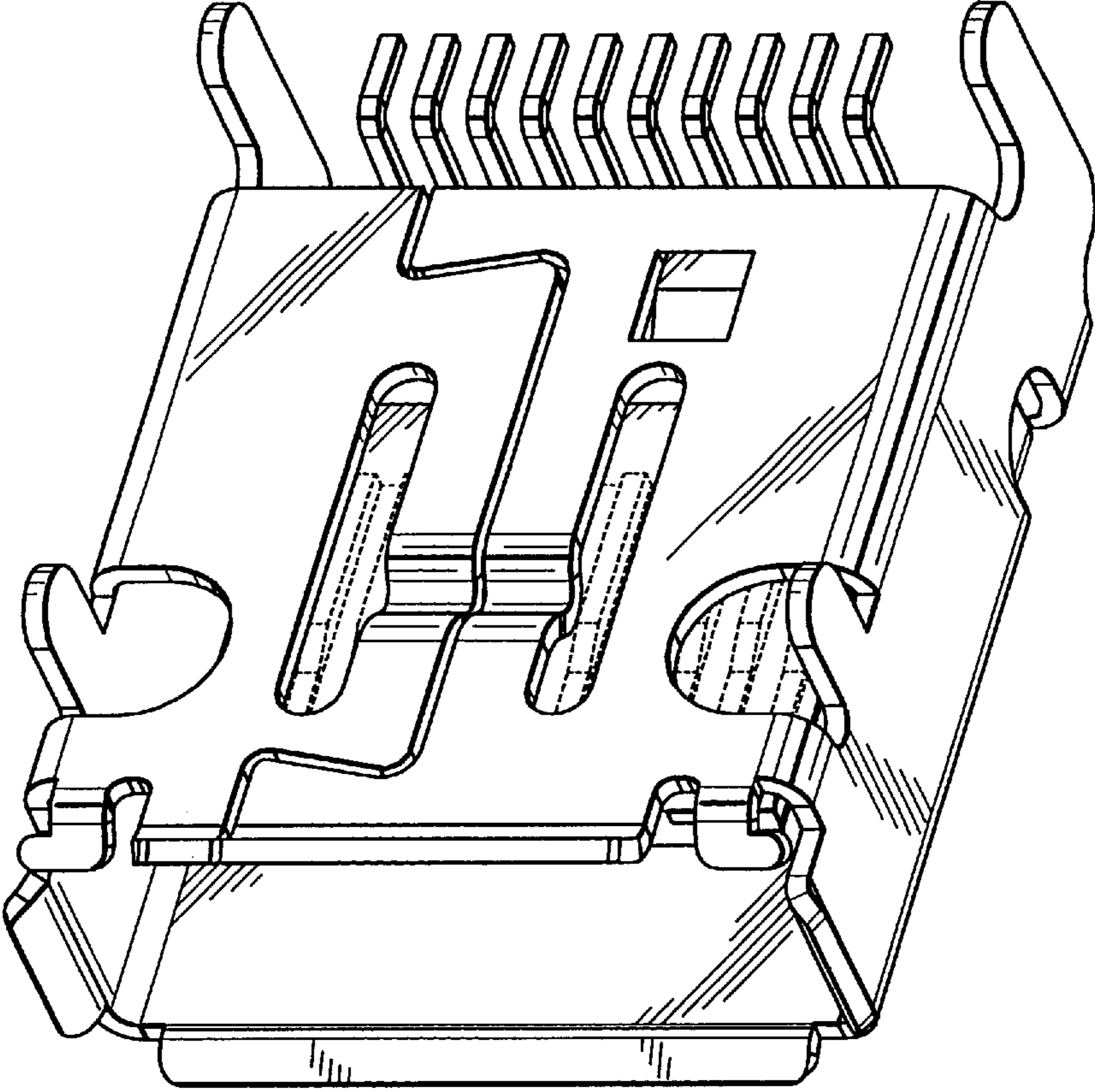
| | | | | |
|--------------|---|---------|------------------------|---------|
| 5,993,258 A | * | 11/1999 | Matsunuma et al. | 439/607 |
| 6,007,382 A | * | 12/1999 | Wu | 439/607 |
| D427,975 S | * | 7/2000 | Zhu et al. | D13/147 |
| D432,992 S | * | 10/2000 | Lok | D13/147 |
| 6,183,300 B1 | * | 2/2001 | Belopolsky et al. | 439/607 |
| D446,773 S | * | 8/2001 | Yao et al. | D13/147 |

FIG. 1 is a perspective view of electrical connector showing my new design;
FIG. 2 is a front elevational view thereof;
FIG. 3 is a rear elevational view thereof;
FIG. 4 is a left side elevational view thereof;
FIG. 5 is a right side elevational view thereof;
FIG. 6 is a top plan view thereof; and,
FIG. 7 is a bottom plan view thereof.

The broken line showing of the environment is for illustrative purpose only and forms no part of the claimed design.

1 Claim, 4 Drawing Sheets





F I G. 1

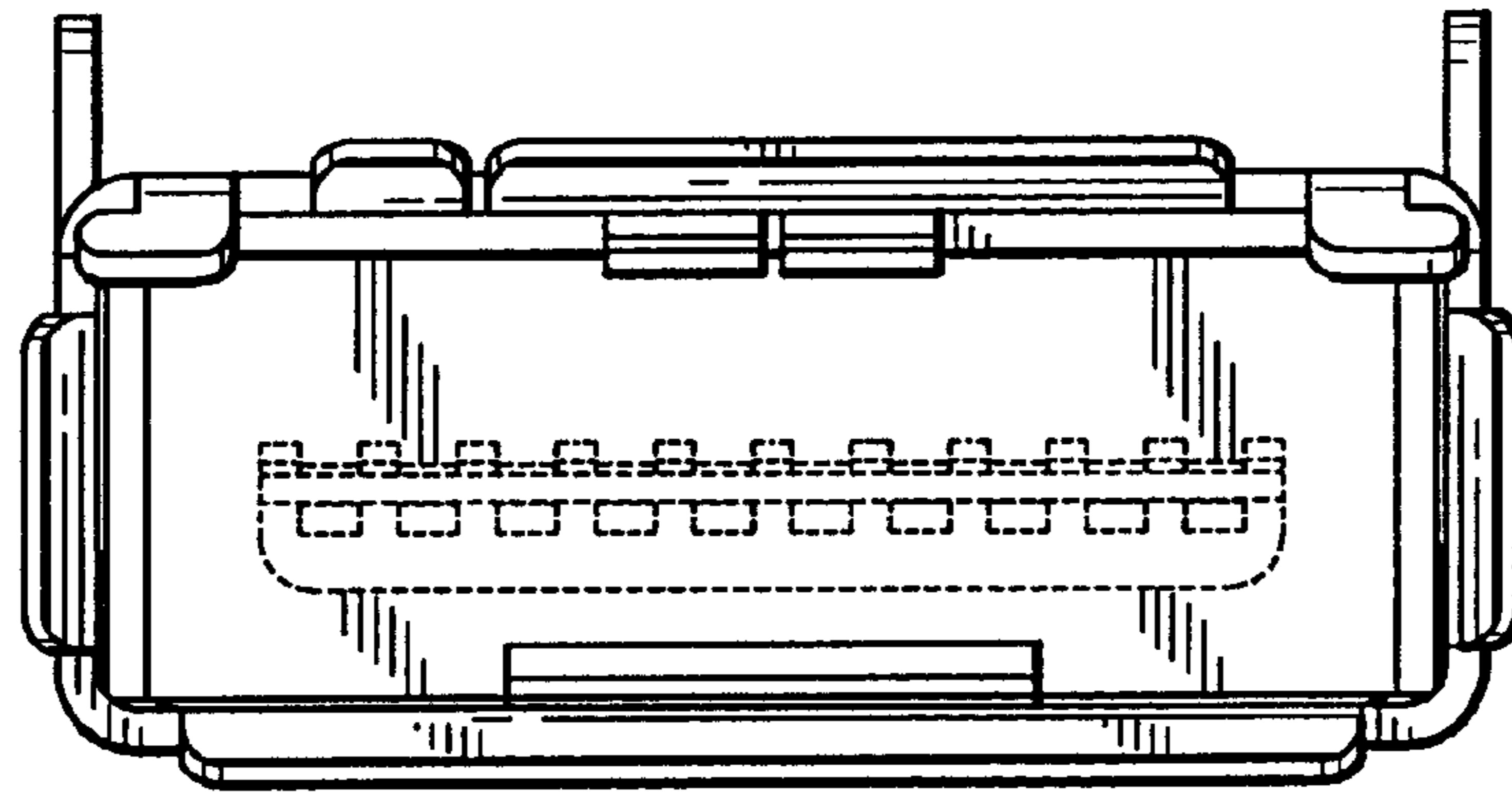


FIG. 2



FIG. 3

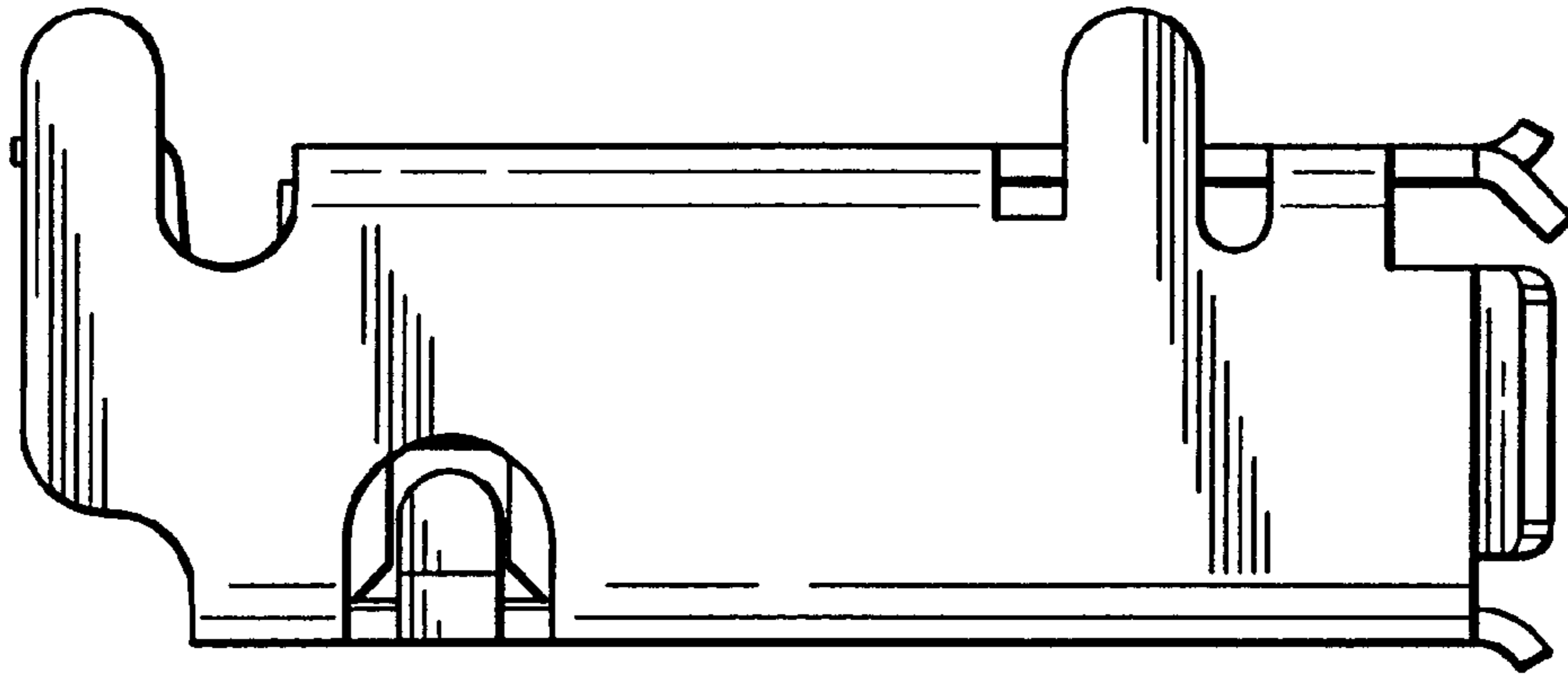


FIG. 4

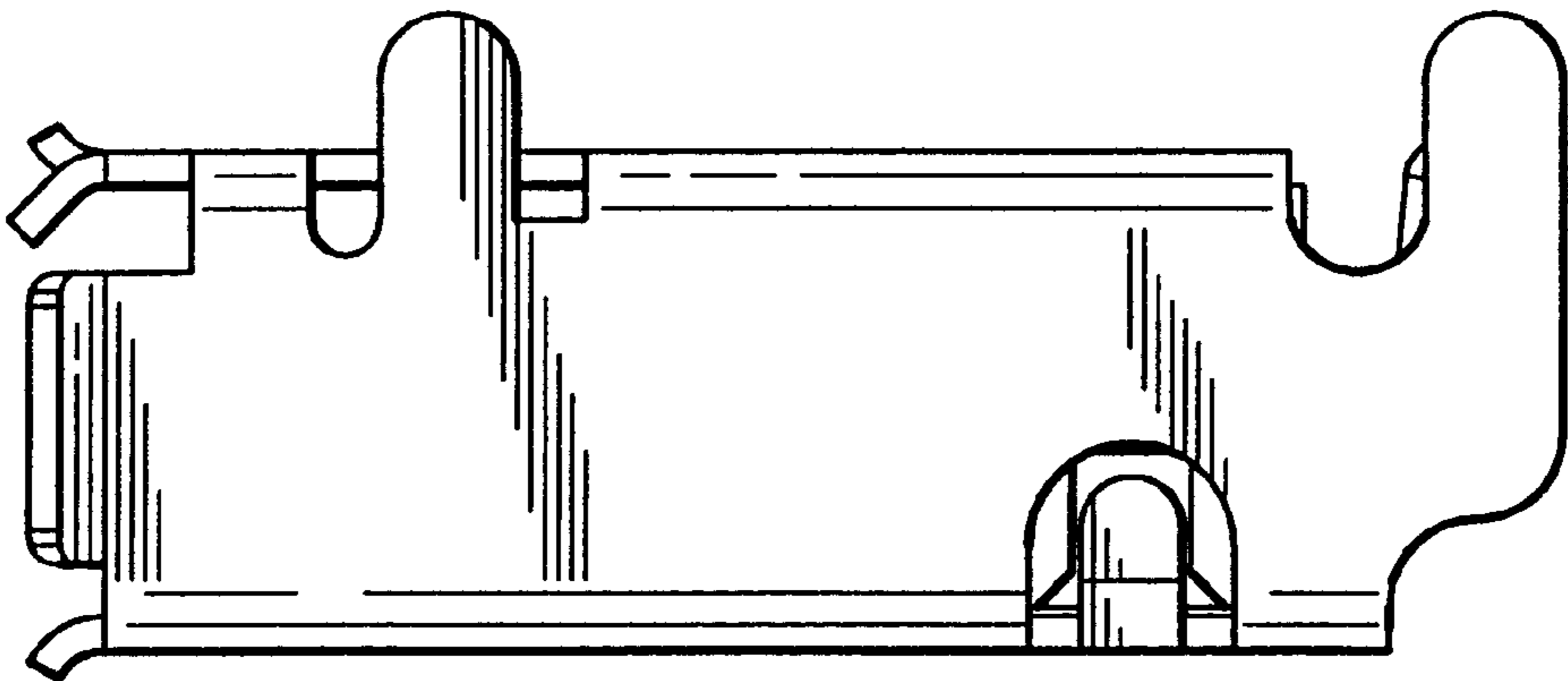


FIG. 5

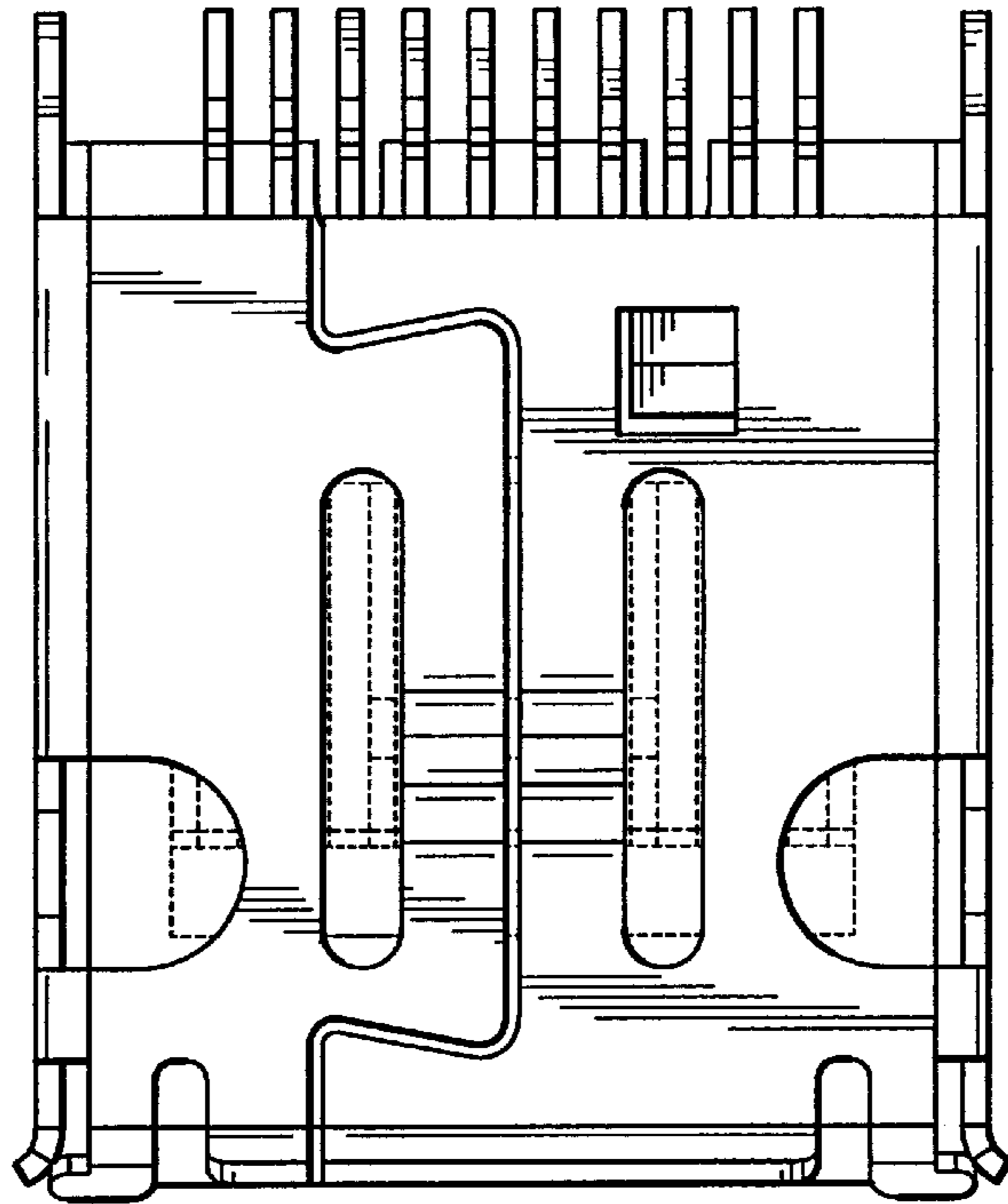


FIG. 6

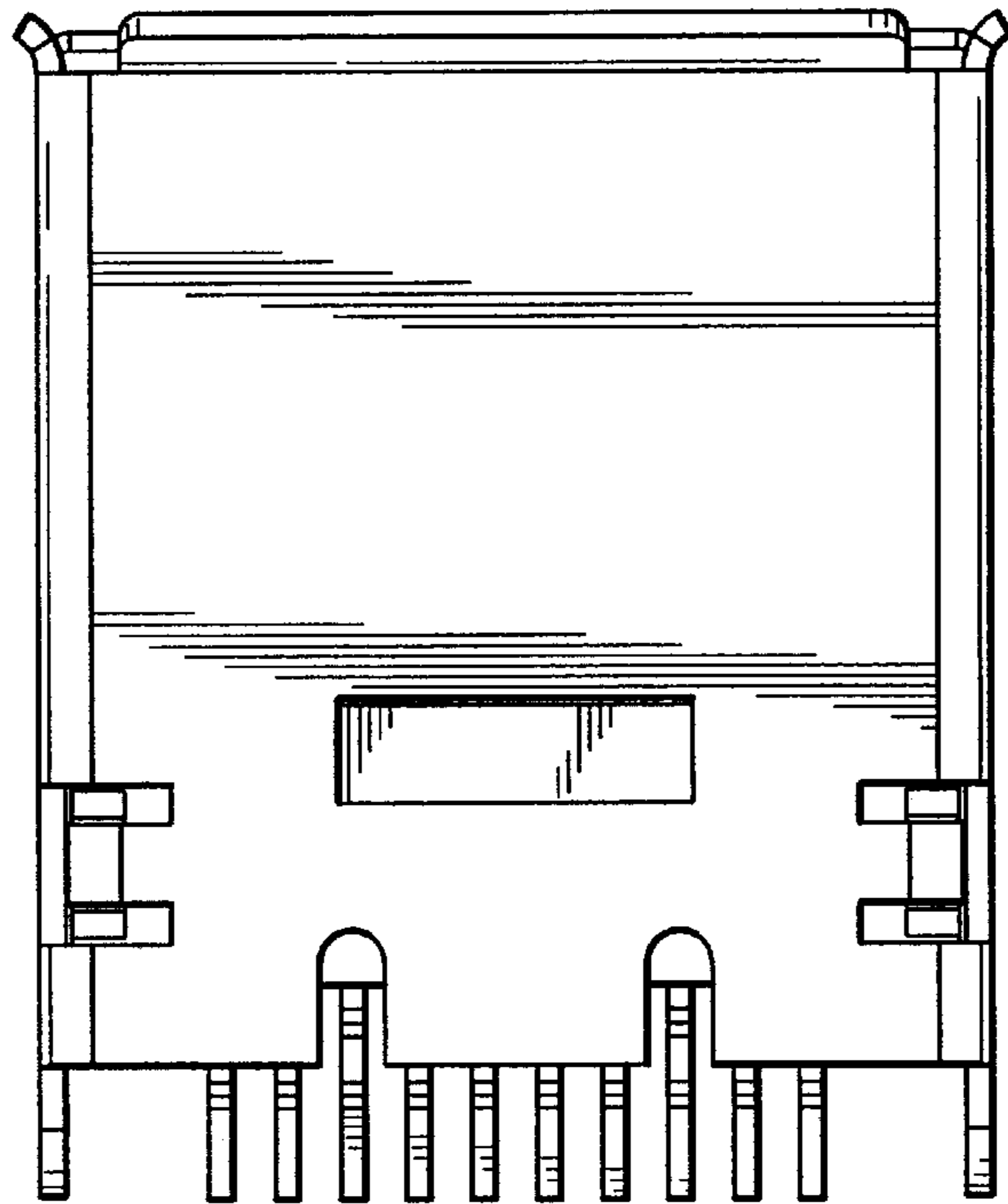


FIG. 7