

US00D507534S

(12) **United States Design Patent**
Takahiro

(10) **Patent No.:** **US D507,534 S**
(45) **Date of Patent:** **** Jul. 19, 2005**

(54) **BOARD-TO-BOARD CONNECTOR**

(75) Inventor: **Ura Takahiro, Kanagawa (JP)**

(73) Assignee: **Iriso Electronics, Co., Ltd., Kanagawa (JP)**

(**) Term: **14 Years**

(21) Appl. No.: **29/197,398**

(22) Filed: **Jan. 15, 2004**

(30) **Foreign Application Priority Data**

Aug. 29, 2003 (JP) 2003-025247

(51) **LOC (8) Cl.** **13-03**

(52) **U.S. Cl.** **D13/147**

(58) **Field of Search** D13/123, 133,
D13/146, 147, 184, 199; 439/74, 79, 260,
329, 357, 422, 492-499, 660, 910

(56) **References Cited**

U.S. PATENT DOCUMENTS

- 5,803,771 A * 9/1998 Knapp 439/682
- D454,114 S * 3/2002 Hayashi et al. D13/147
- D455,403 S * 4/2002 Yoneyama et al. D13/147
- D455,717 S * 4/2002 Hayashi et al. D13/147
- D466,080 S * 11/2002 Ko D13/147

- 6,540,556 B1 * 4/2003 Fu 439/607
- D490,377 S * 5/2004 Sato D13/147
- D497,344 S * 10/2004 Huang D13/147
- 2004/0266242 A1 * 12/2004 Shiu et al. 439/260

* cited by examiner

Primary Examiner—Stella Reid

Assistant Examiner—Daniel Bui

(74) *Attorney, Agent, or Firm*—Lowe, Hauptman & Berner, LLP

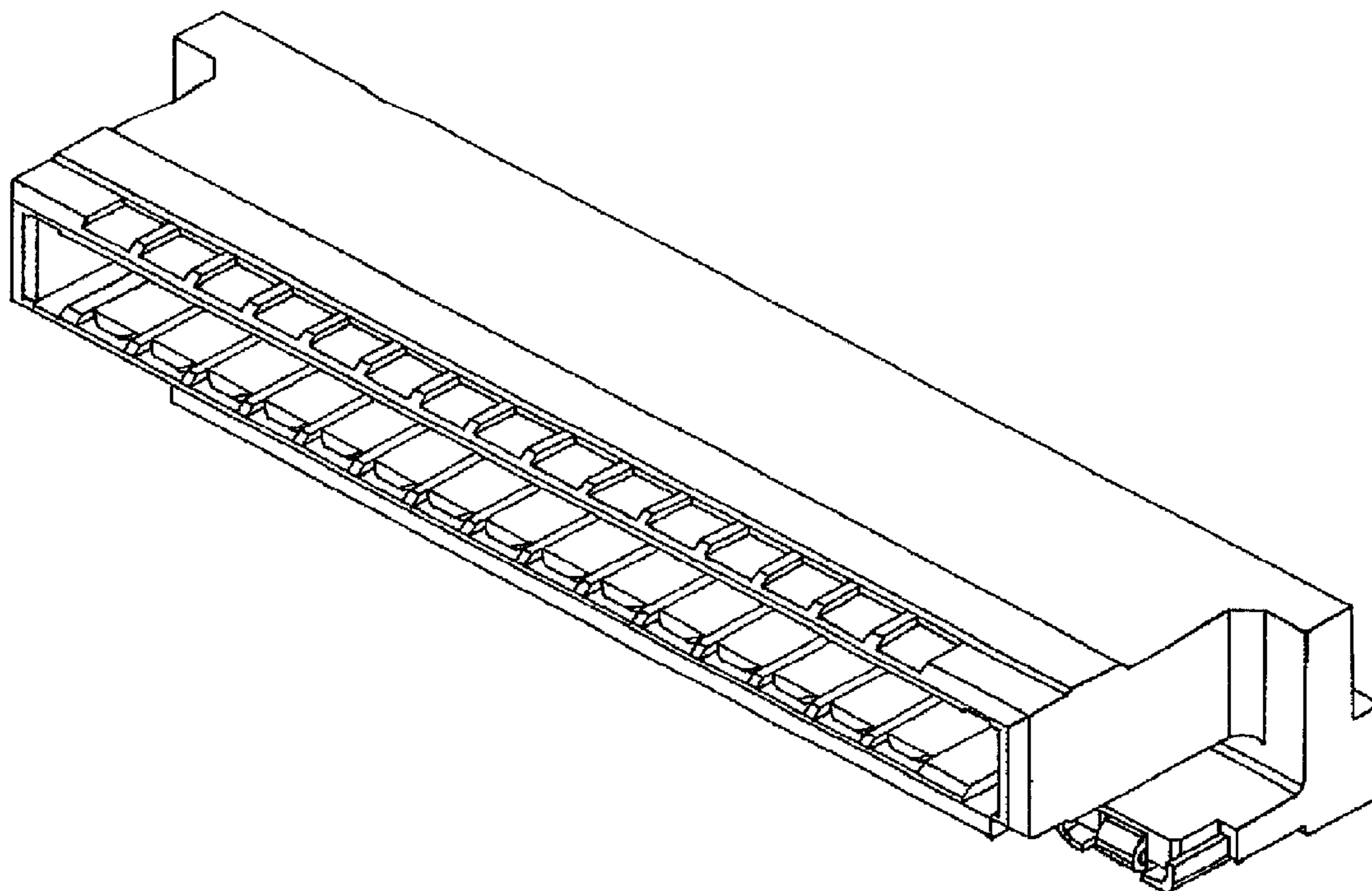
(57) **CLAIM**

The ornamental design for a board-to-board connector, as shown and described.

DESCRIPTION

FIG. 1 is a front view of a board-to-board connector showing my new design;
 FIG. 2 is a rear view thereof;
 FIG. 3 is a left side view thereof; the right side view thereof is the mirror image of the left side view;
 FIG. 4 is a top plan view thereof;
 FIG. 5 is a bottom plan view thereof;
 FIG. 6 is a perspective view from the top thereof;
 FIG. 7 is a perspective view from the bottom thereof; and,
 FIG. 8 is a perspective view from the back thereof.

1 Claim, 5 Drawing Sheets



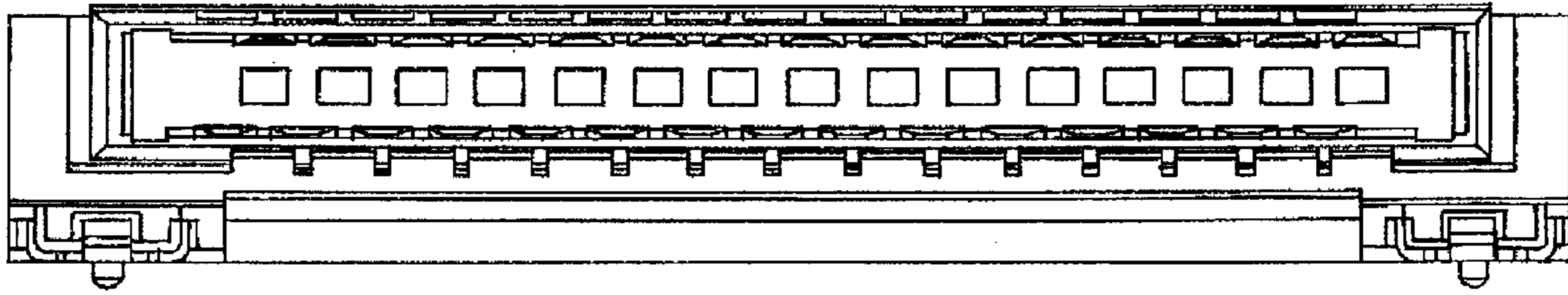


FIG. 1

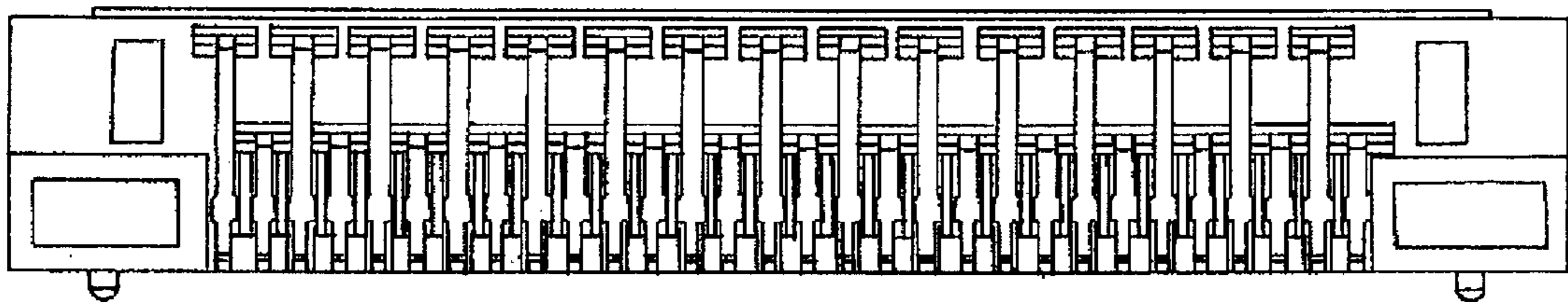


FIG. 2

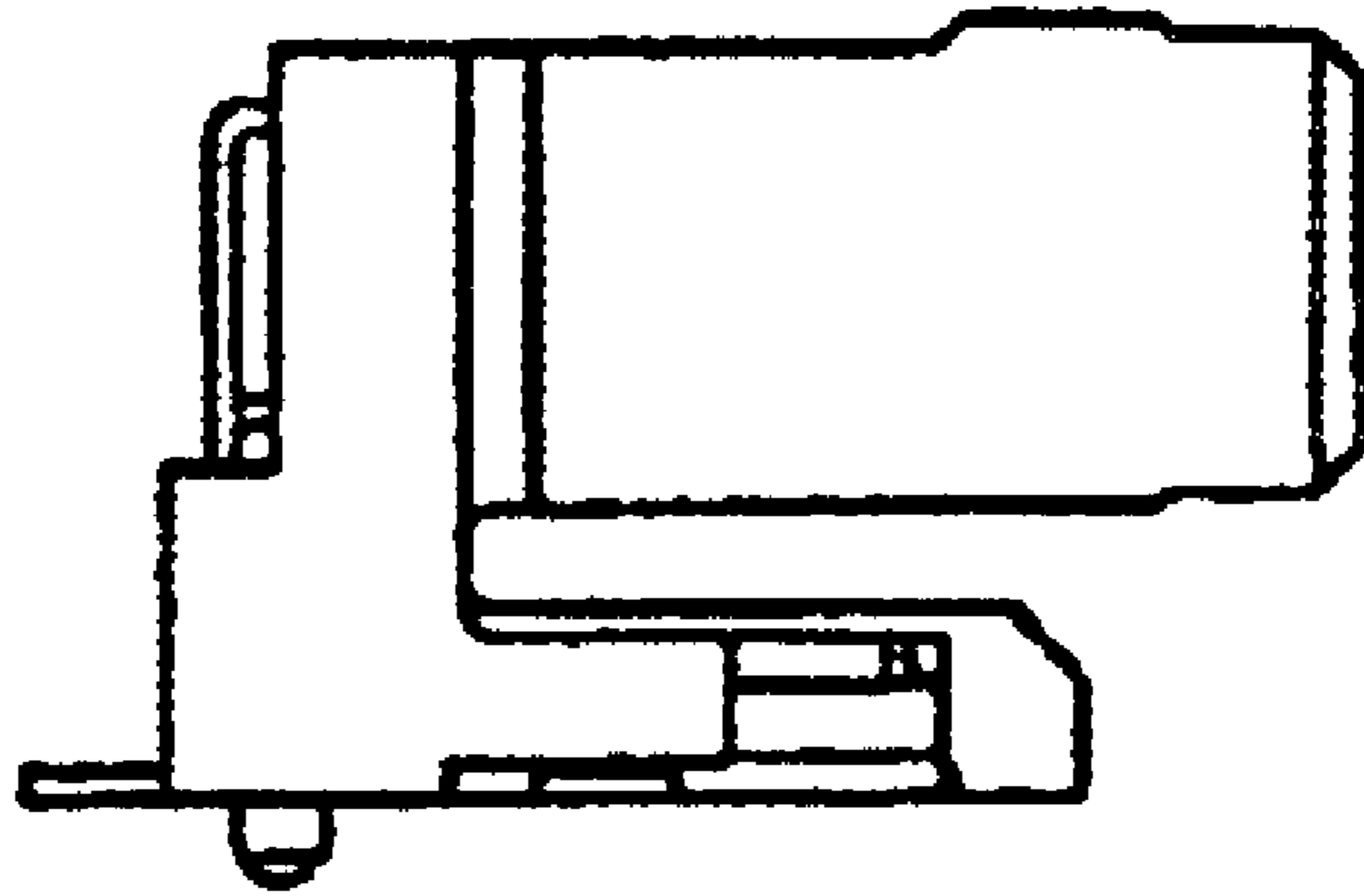


FIG. 3

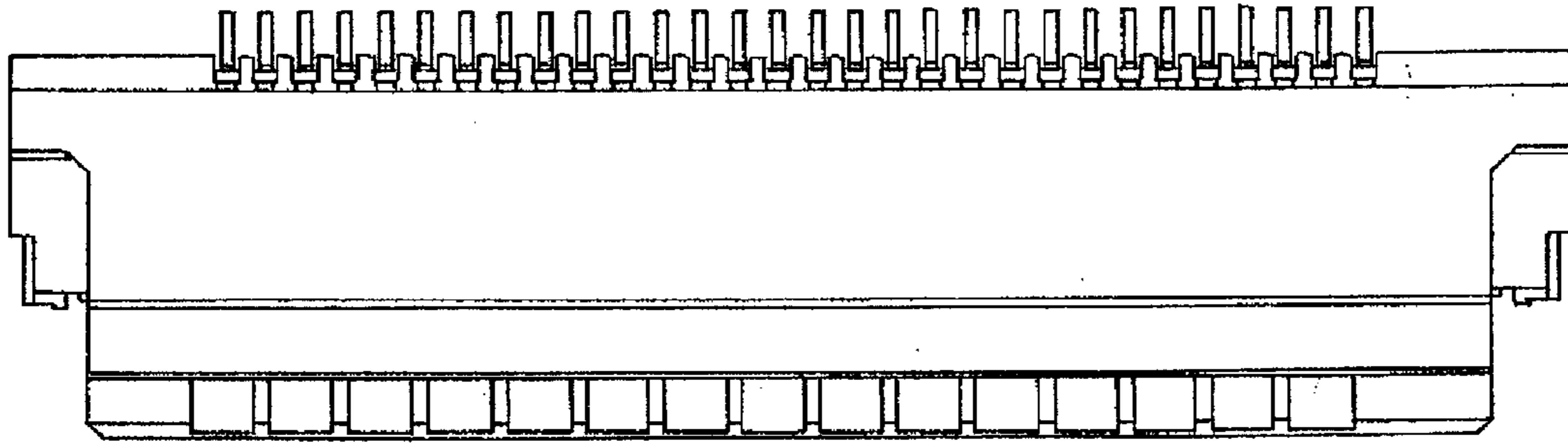


FIG. 4

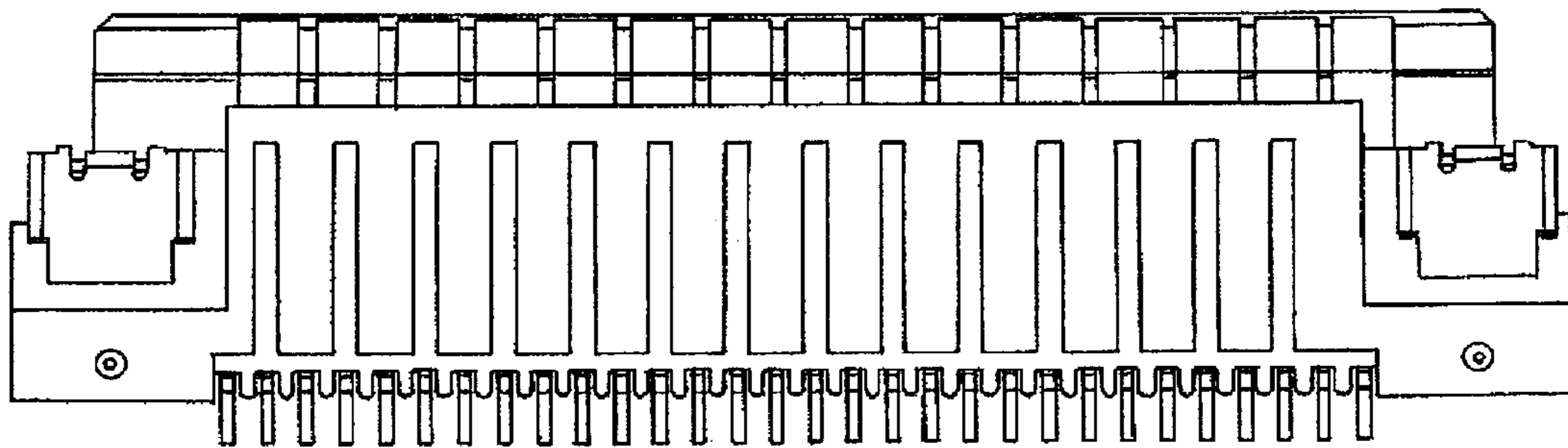


FIG. 5

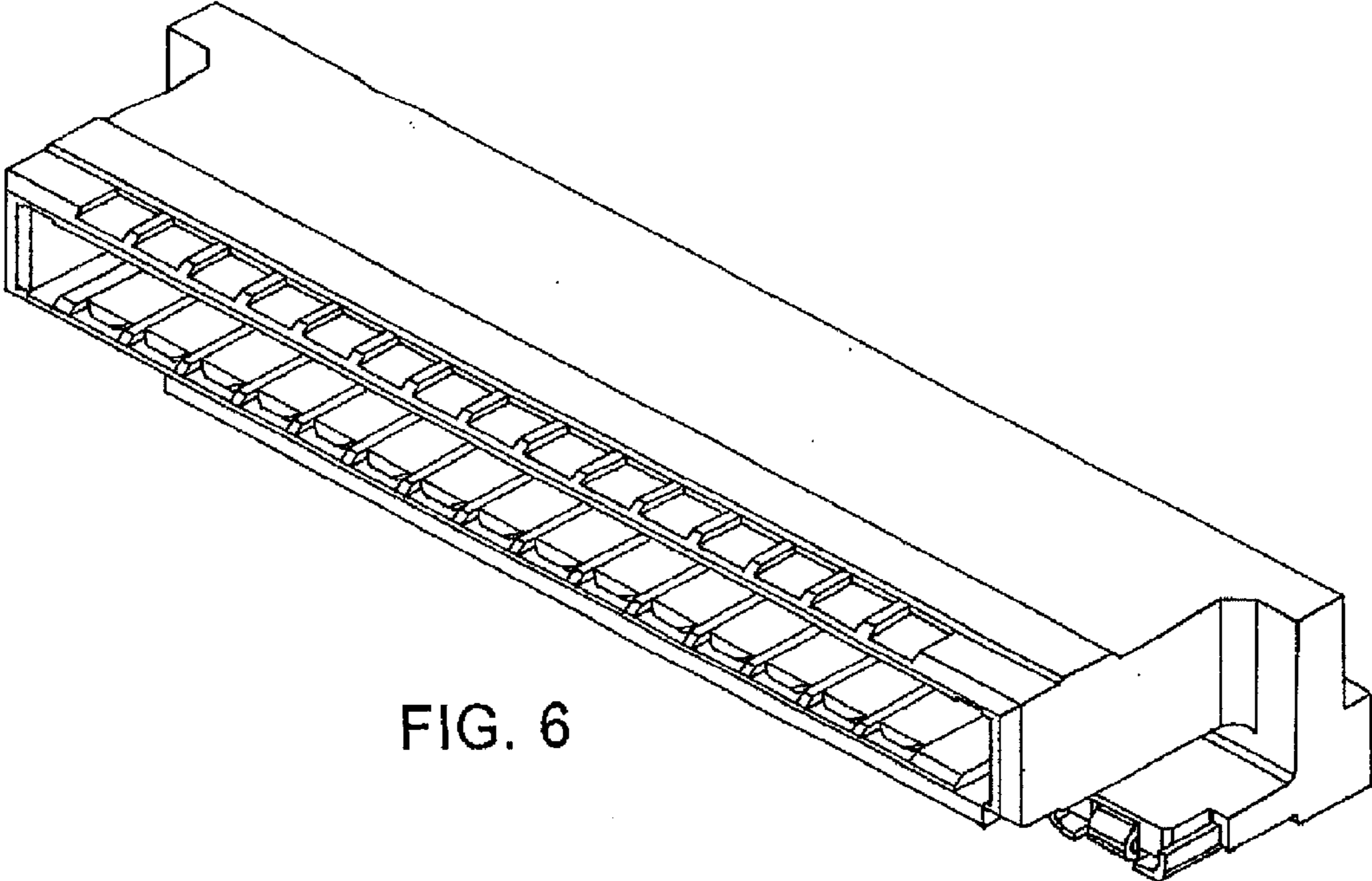


FIG. 6

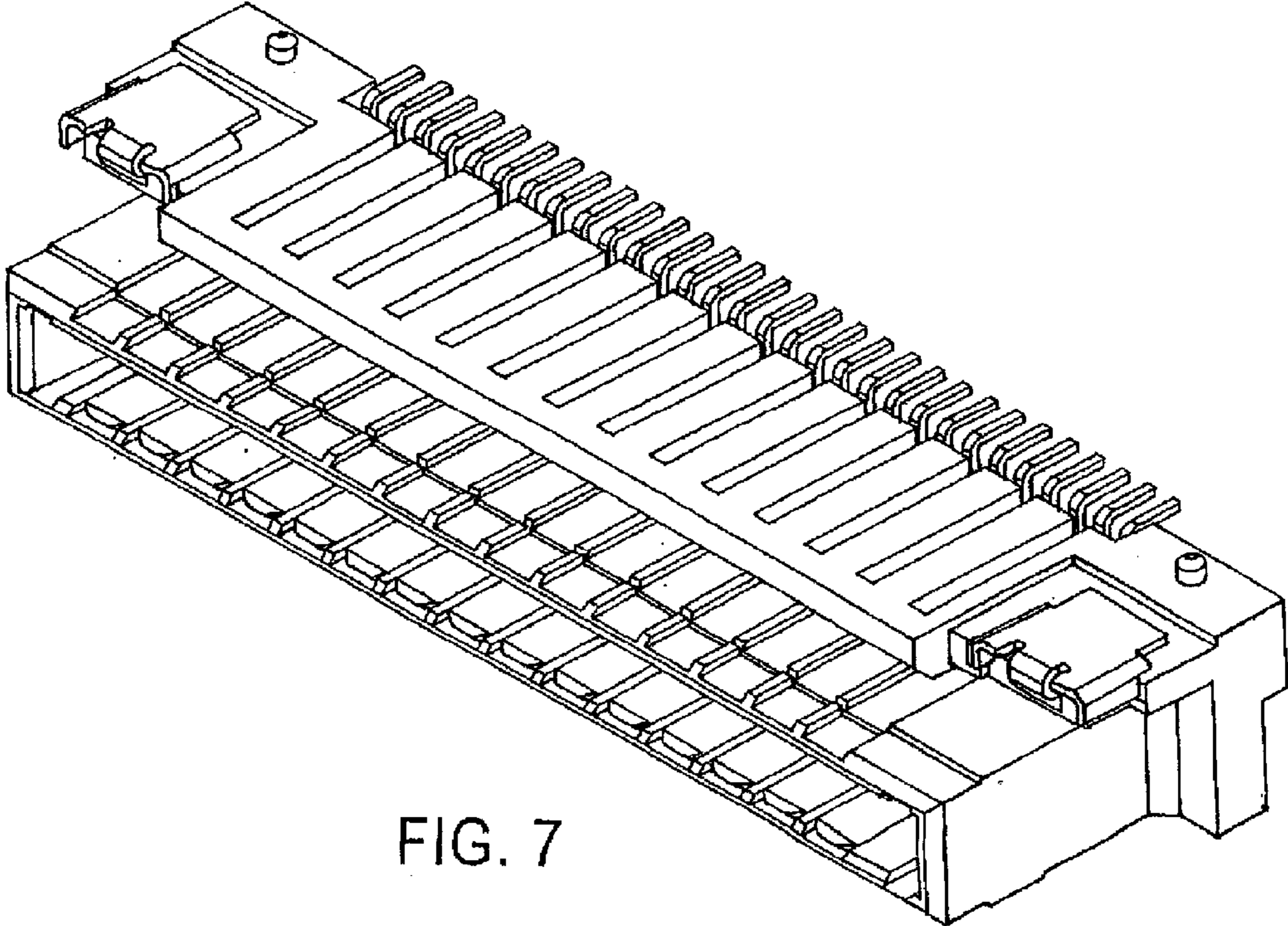


FIG. 7

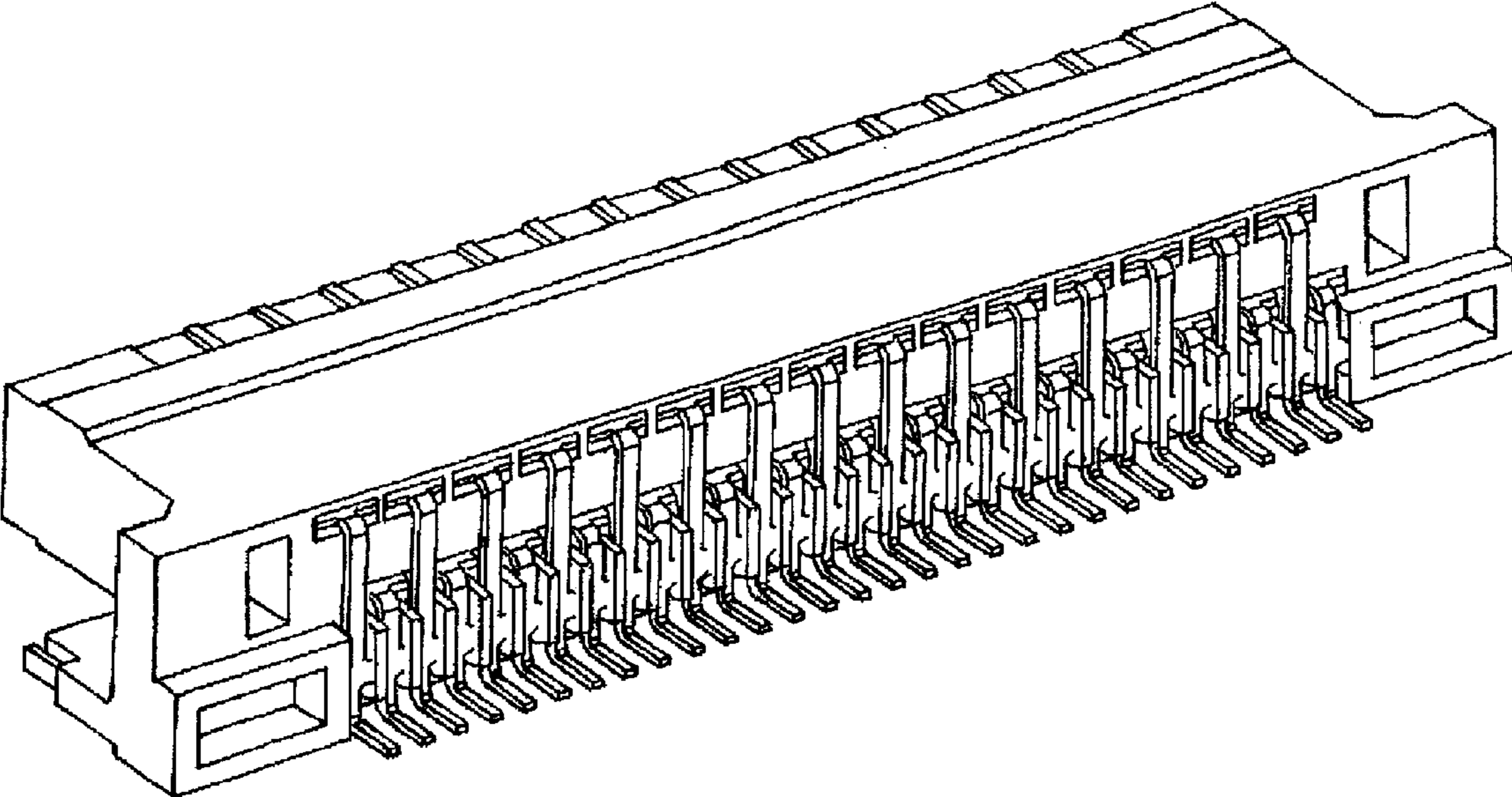


FIG. 8