



US00D507533S

(12) **United States Design Patent**  
**Yoneyama et al.**

(10) **Patent No.:** **US D507,533 S**  
(45) **Date of Patent:** **\*\* Jul. 19, 2005**

(54) **ELECTRICAL CONNECTOR**

(75) Inventors: **Kazuo Yoneyama**, Kyoto (JP);  
**Tsushima Takada**, Kyoto (JP); **Hideki Nishiyama**, Osaka (JP); **Hiromu Matsumoto**, Osaka (JP)

(73) Assignees: **Nintendo Co., Ltd.**, Kyoto (JP);  
**Hosiden Corporation**, Osaka (JP)

(\*\*) Term: **14 Years**

(21) Appl. No.: **29/185,101**

(22) Filed: **Jun. 23, 2003**

(30) **Foreign Application Priority Data**

Dec. 27, 2002 (JP) ..... 2002-037211

(51) **LOC (8) Cl.** ..... **13-03**

(52) **U.S. Cl.** ..... **D13/147**

(58) **Field of Search** ..... D13/147; 439/62,  
439/79, 260, 325, 329, 495, 497, 607-610,  
660, 686

(56) **References Cited**

**U.S. PATENT DOCUMENTS**

D371,542 S \* 7/1996 Takayasu ..... D13/147  
5,906,504 A \* 5/1999 Igarashi et al. .... 439/495  
D416,865 S \* 11/1999 Chiou ..... D13/147  
6,083,046 A \* 7/2000 Wu et al. .... 439/607

D431,531 S \* 10/2000 Chih ..... D13/147  
6,238,227 B1 \* 5/2001 Wu et al. .... 439/260  
6,241,556 B1 \* 6/2001 Chih ..... 439/607  
6,273,749 B1 \* 8/2001 Yang ..... 439/497  
6,315,602 B1 \* 11/2001 Miura et al. .... 439/495  
D468,268 S \* 1/2003 Zhong ..... D13/147  
6,544,071 B1 \* 4/2003 Wu ..... 439/607

\* cited by examiner

*Primary Examiner*—Stella Reid

*Assistant Examiner*—Selina Sikder

(74) *Attorney, Agent, or Firm*—Akin Gump Strauss Hauer & Feld, LLP

(57) **CLAIM**

The ornamental design for an electrical connector, as shown and described.

**DESCRIPTION**

FIG. 1 is a top perspective view of an electrical connector; FIG. 2 is a front elevational view thereof; FIG. 3 is a top plan view thereof; FIG. 4 is a rear elevational view thereof; FIG. 5 is a bottom plan view thereof; FIG. 6 is a left side elevation view thereof; FIG. 7 is a right side elevational view thereof; and, FIG. 8 is a cross-sectional view of the electrical connector of FIG. 2 taken along line 8—8 of FIG. 2.

**1 Claim, 2 Drawing Sheets**

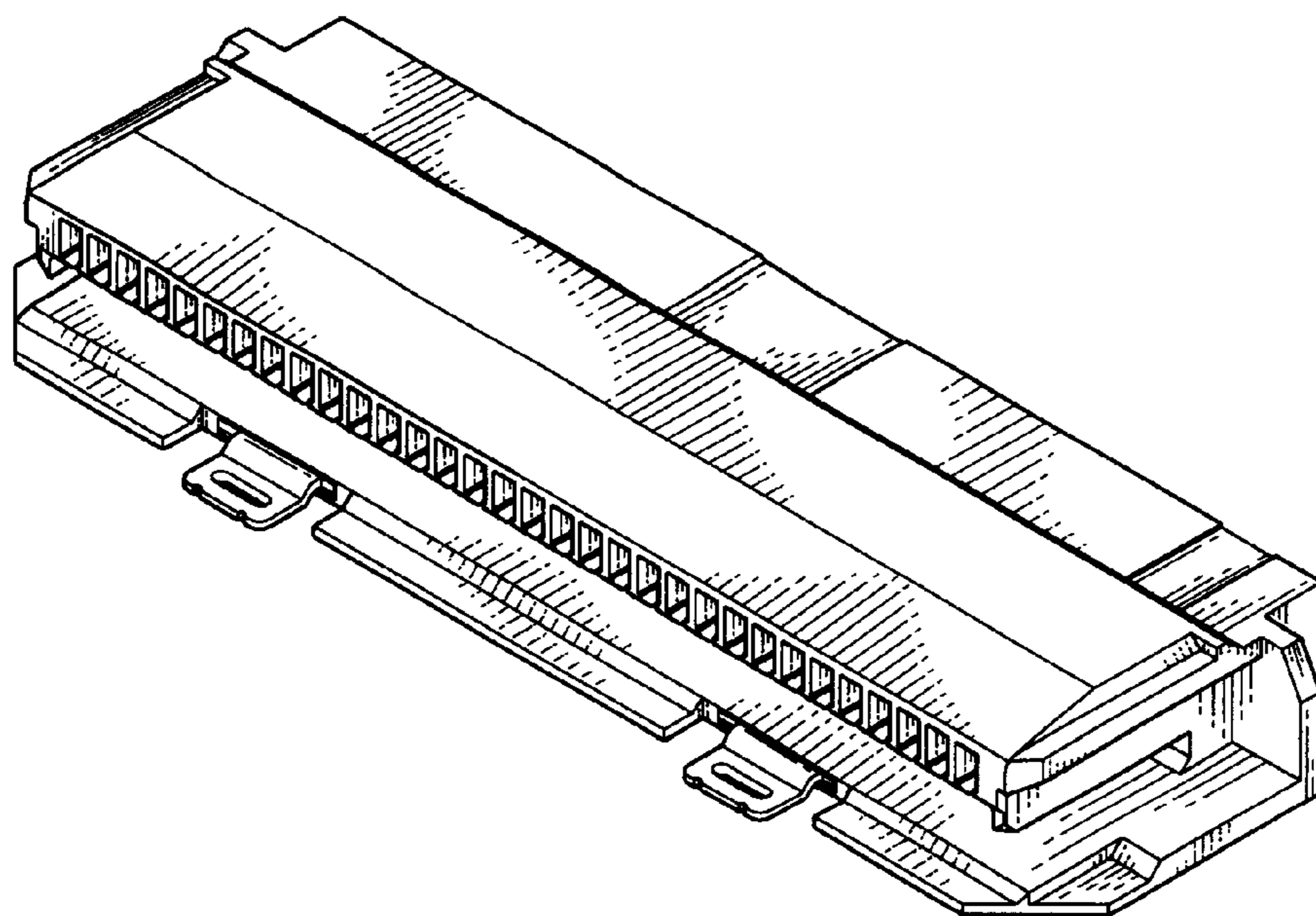


Fig. 1

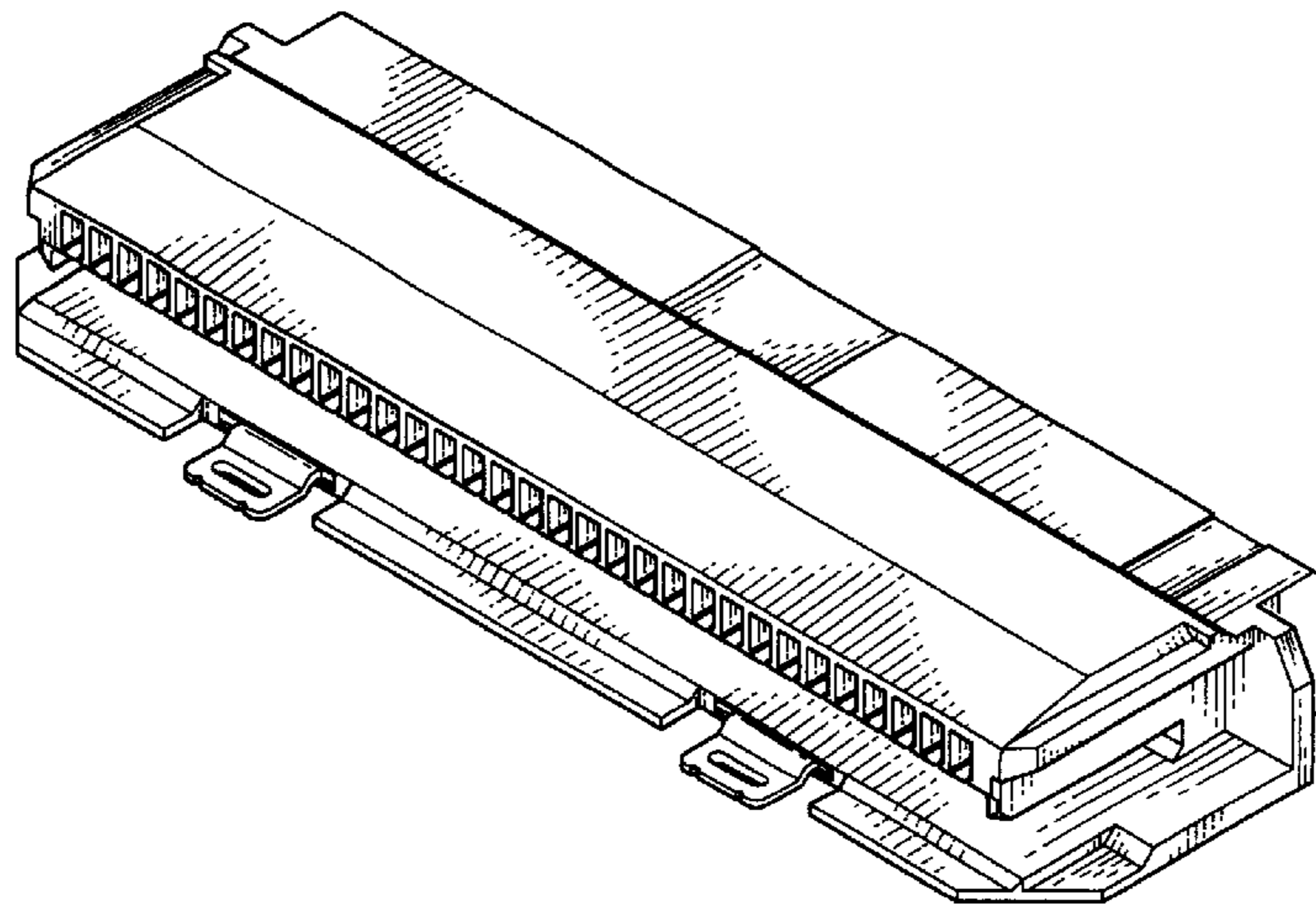


Fig. 2

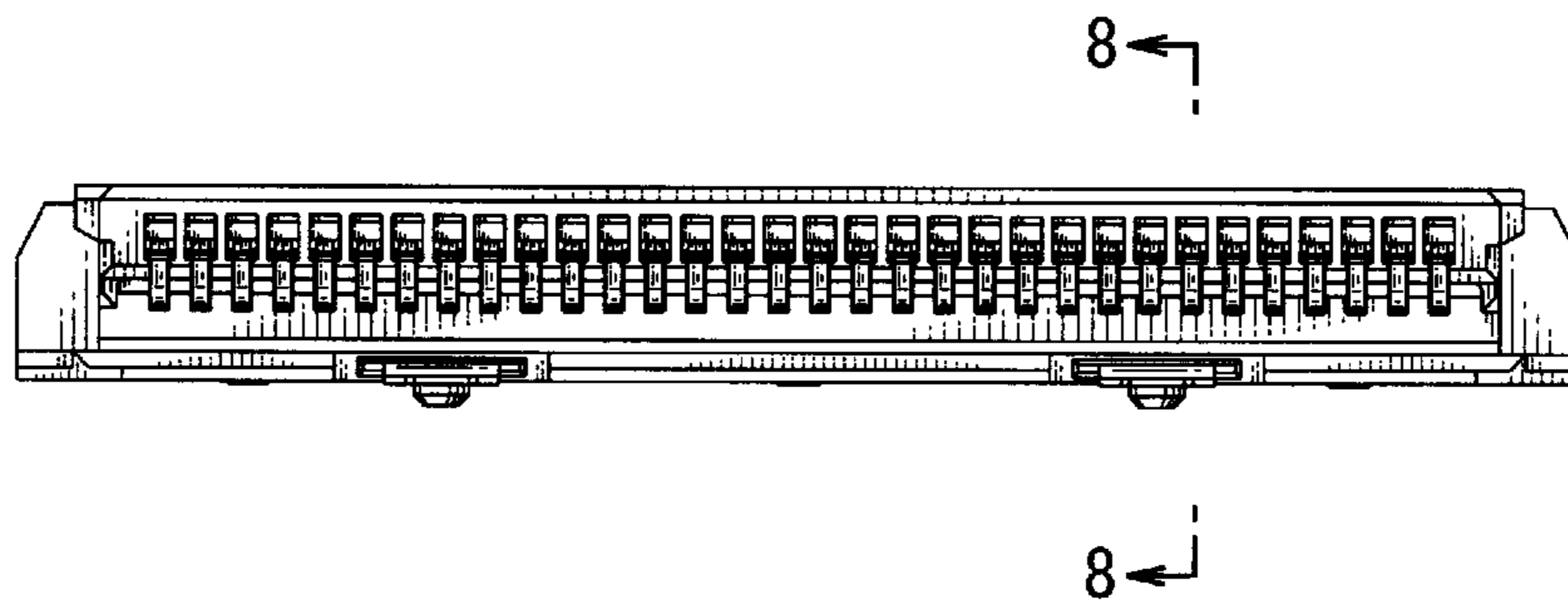


Fig. 3

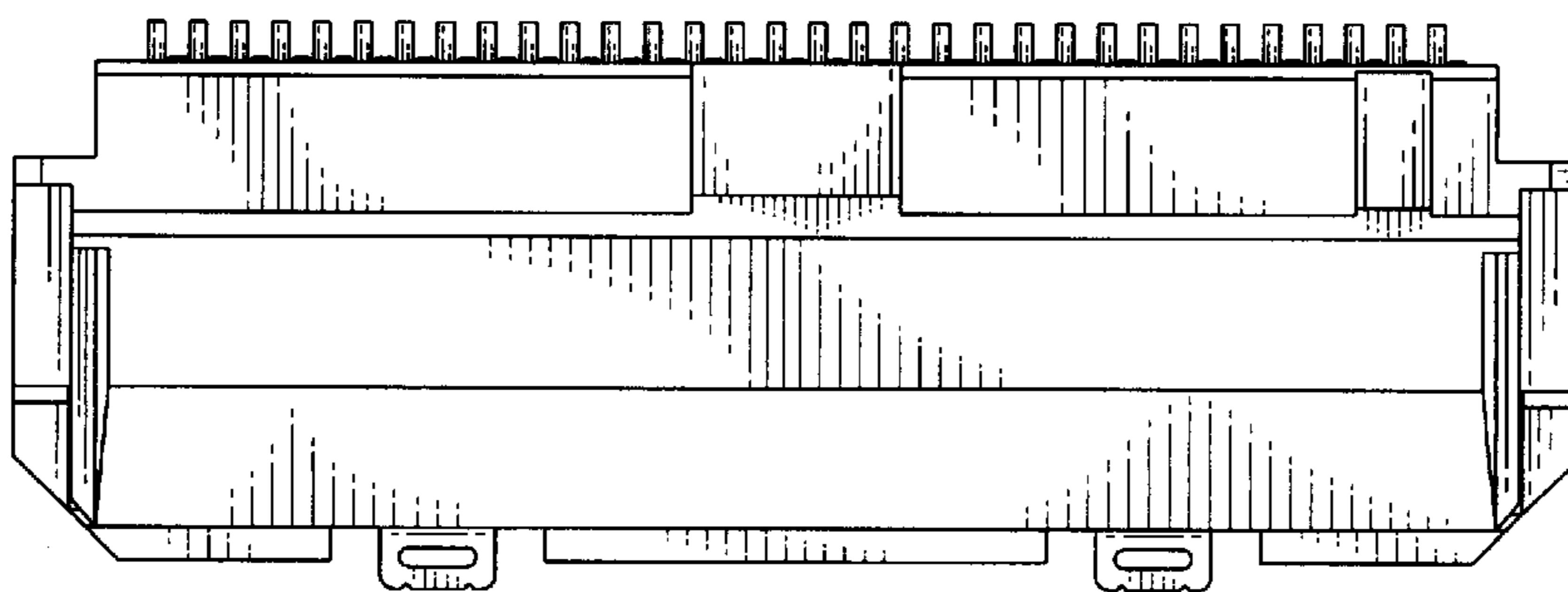


Fig. 4

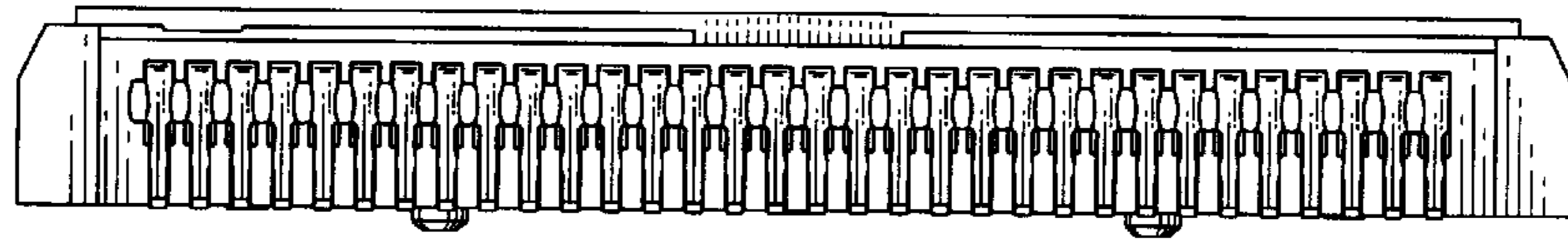


Fig. 5

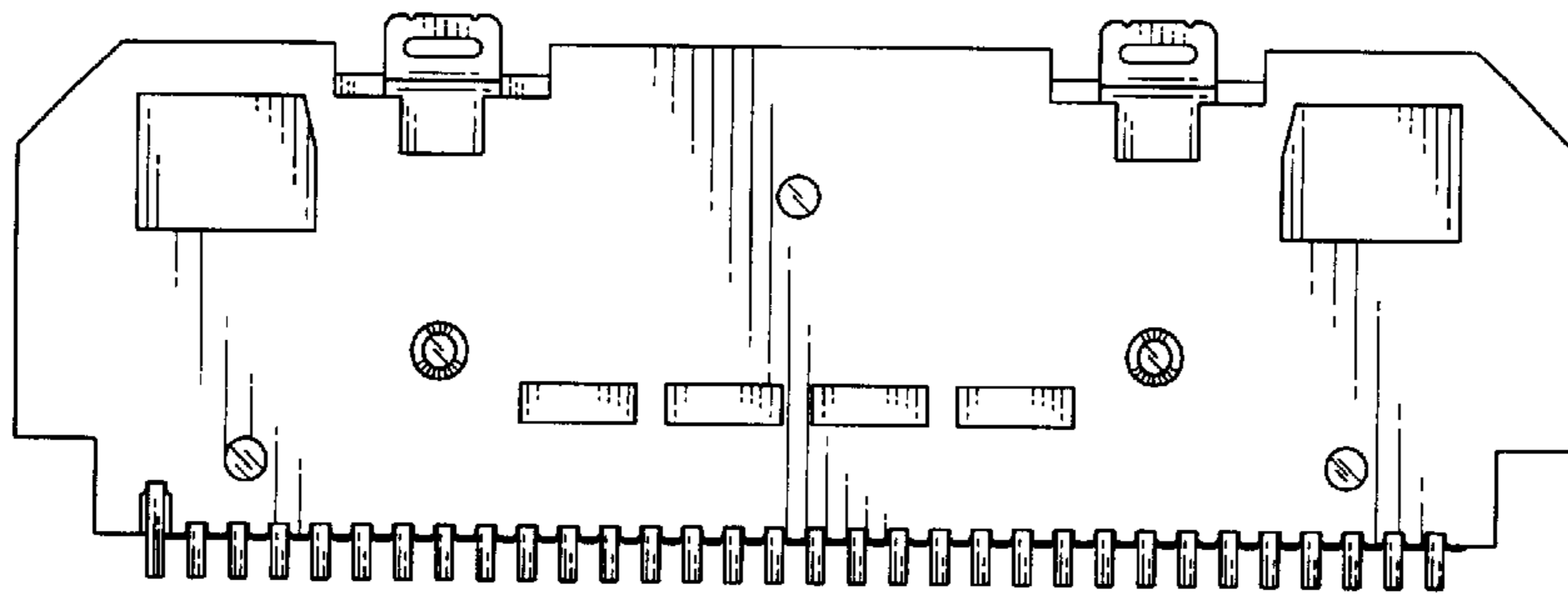


Fig. 6

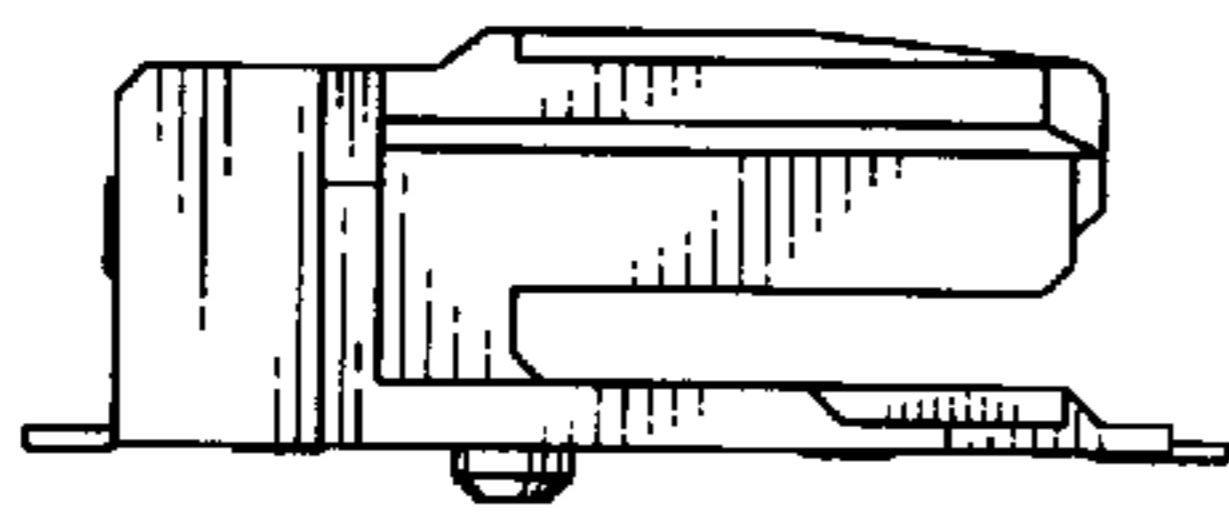


Fig. 7

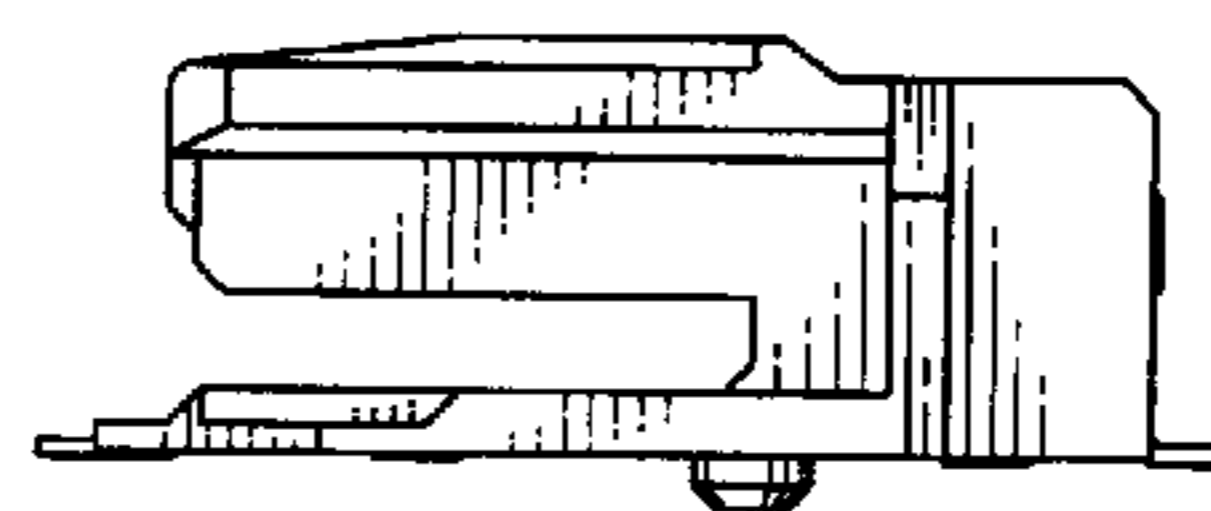


Fig. 8

