

US00D507531S

(12) **United States Design Patent**
Suzuki

(10) **Patent No.:** **US D507,531 S**

(45) **Date of Patent:** **** Jul. 19, 2005**

(54) **JACK**

6,595,804 B2 * 7/2003 Nagata 439/668
6,676,451 B2 * 1/2004 Suzuki et al. 439/668

(75) Inventor: **Hiroshi Suzuki**, Taga-Gun (JP)

* cited by examiner

(73) Assignee: **SMK Corporation**, Tokyo (JP)

Primary Examiner—Alan P. Douglas

Assistant Examiner—Susan M Lee

(**) Term: **14 Years**

(74) *Attorney, Agent, or Firm*—Sughrue Mion, PLLC

(21) Appl. No.: **29/210,373**

(57) **CLAIM**

(22) Filed: **Aug. 2, 2004**

The ornamental design for a jack, as shown.

(51) **LOC (8) Cl.** **13-03**

DESCRIPTION

(52) **U.S. Cl.** **D13/133**; 439/668

FIG. 1 is a perspective view of the top, front and right side of a jack showing my new design;

(58) **Field of Search** D13/155, 133;
439/79, 80, 188, 668, 669

FIG. 2 is a perspective view of the bottom, rear and left side thereof;

(56) **References Cited**

U.S. PATENT DOCUMENTS

D449,274 S	*	10/2001	Suzuki	D13/133
D450,654 S	*	11/2001	Suzuki	D13/133
D451,472 S	*	12/2001	Suzuki	D13/133
D451,572 S		12/2001	Barker		
D459,303 S	*	6/2002	Florescu	D13/133
D460,238 S	*	7/2002	Suzuki	D34/31

FIG. 3 is a front elevational view thereof;

FIG. 4 is a rear elevational view thereof;

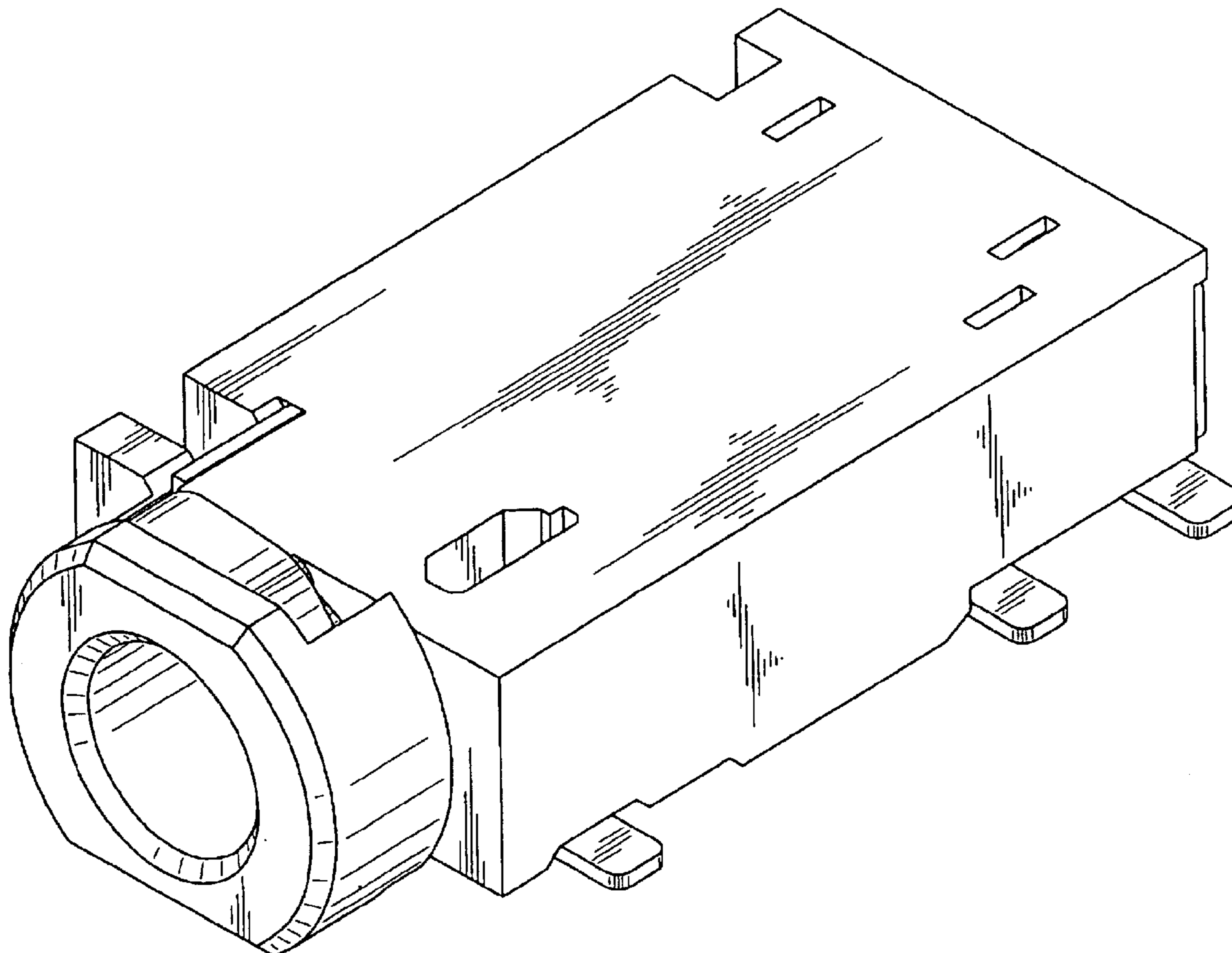
FIG. 5 is a right side elevational view thereof;

FIG. 6 is a left side elevational view thereof;

FIG. 7 is a top plan view thereof; and,

FIG. 8 is a bottom plan view thereof.

1 Claim, 6 Drawing Sheets



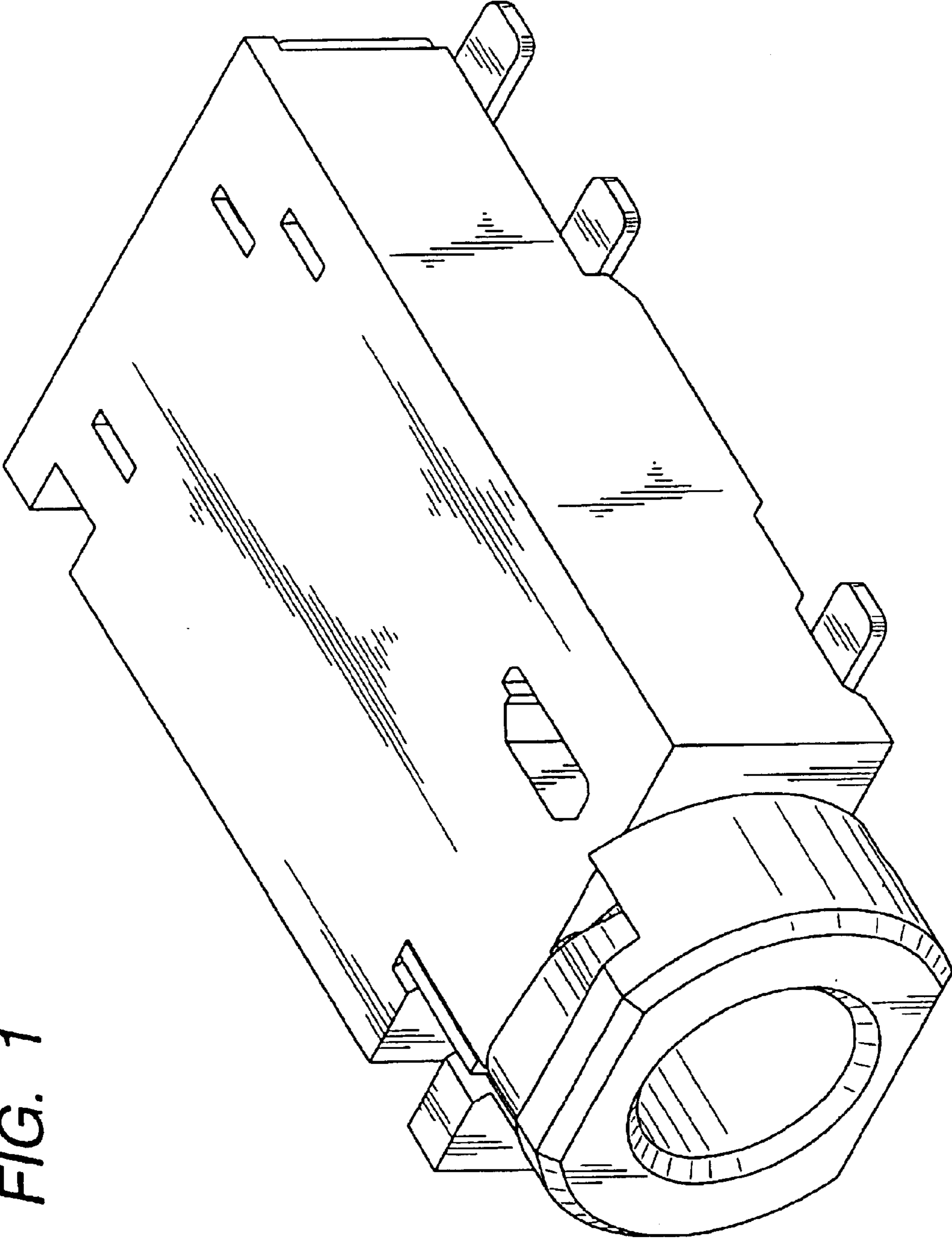


FIG. 1

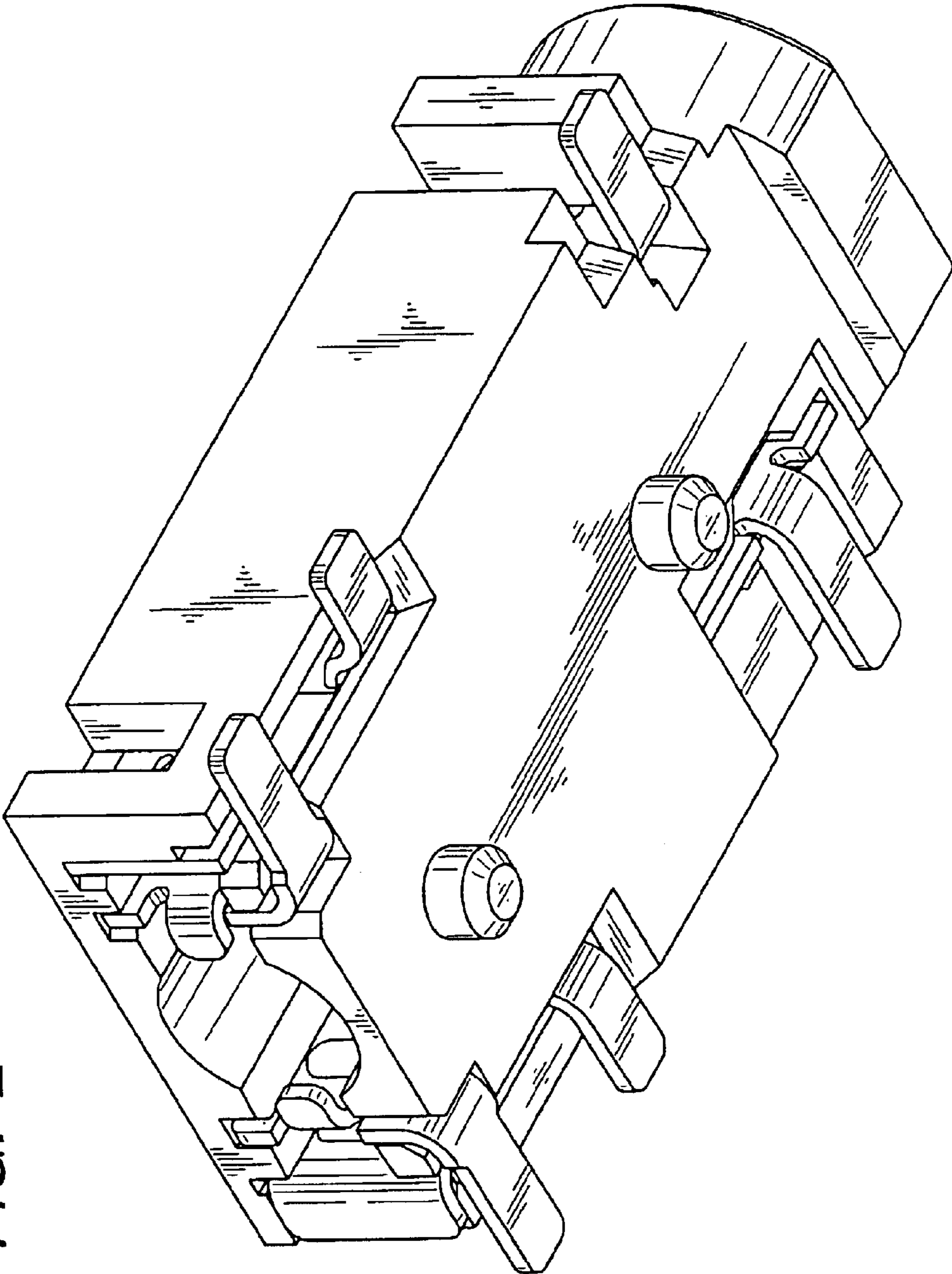


FIG. 2

FIG. 3

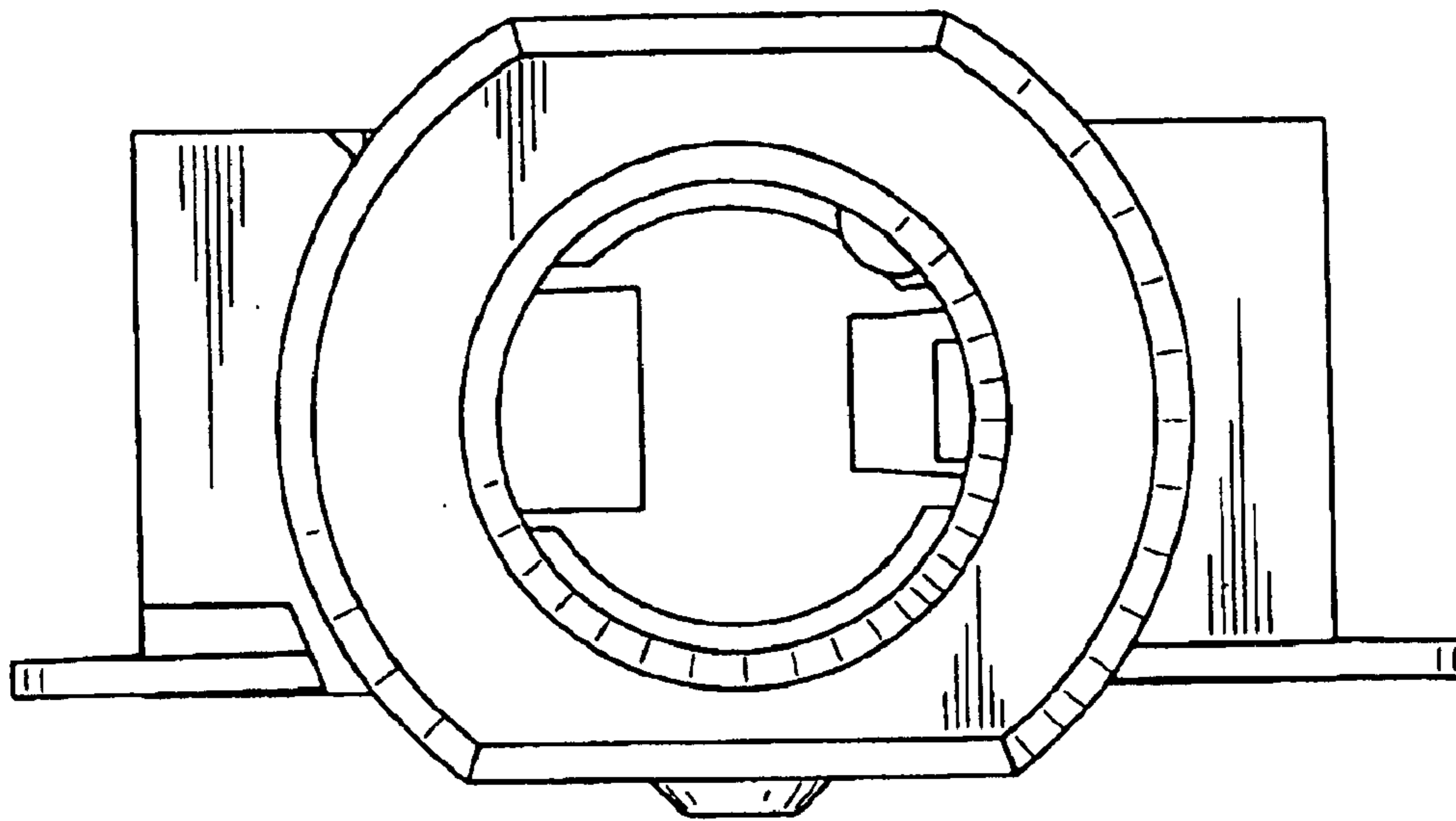


FIG. 4

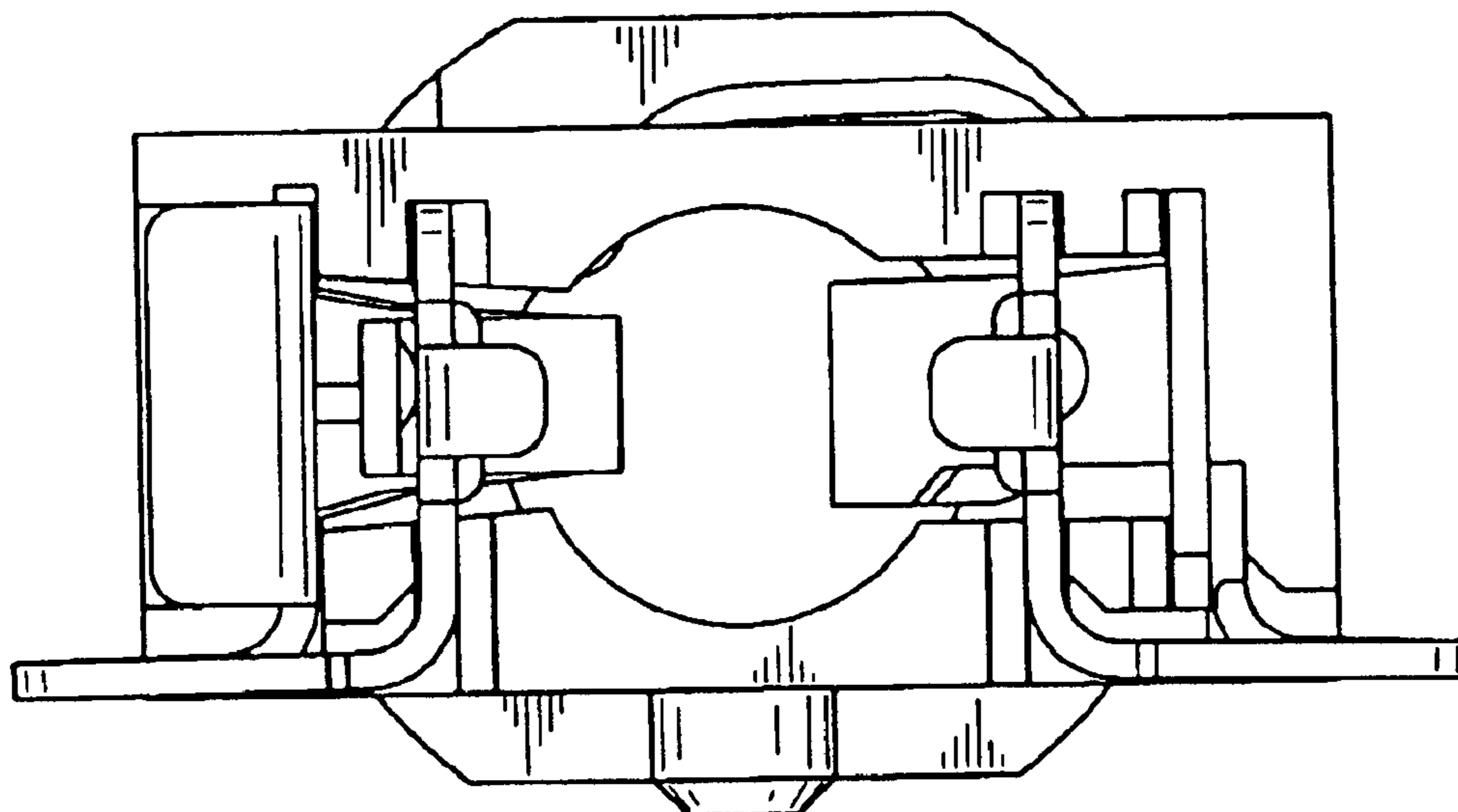


FIG. 5

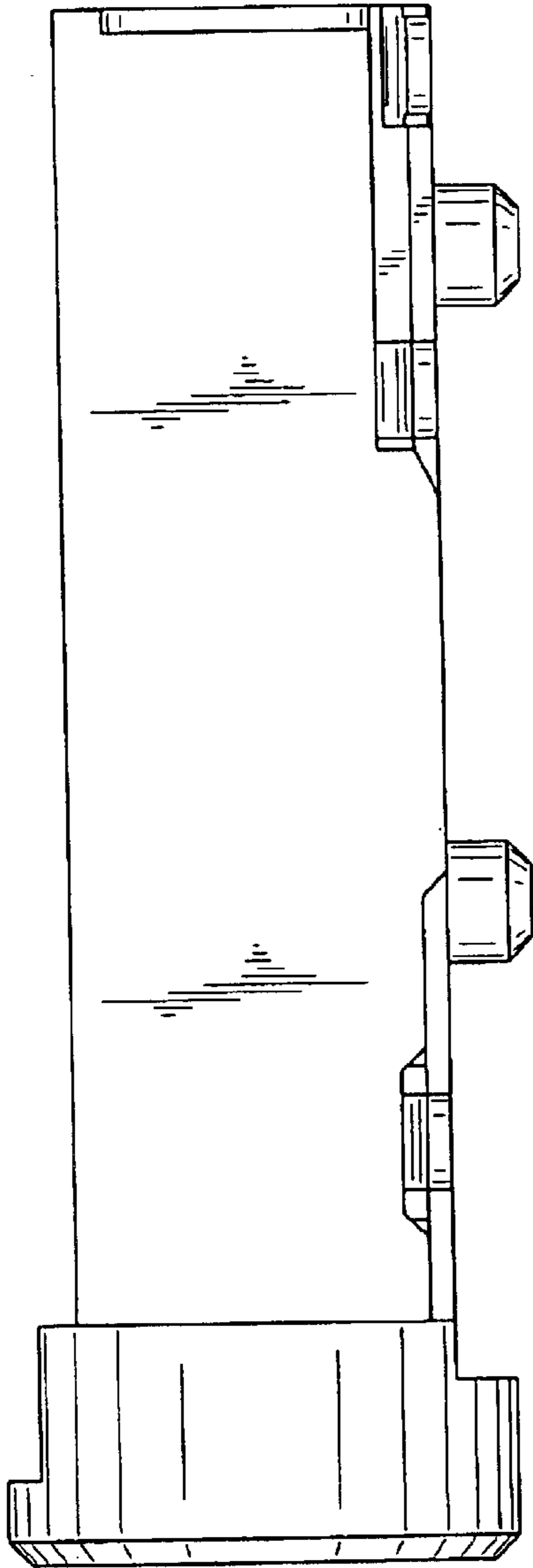


FIG. 6

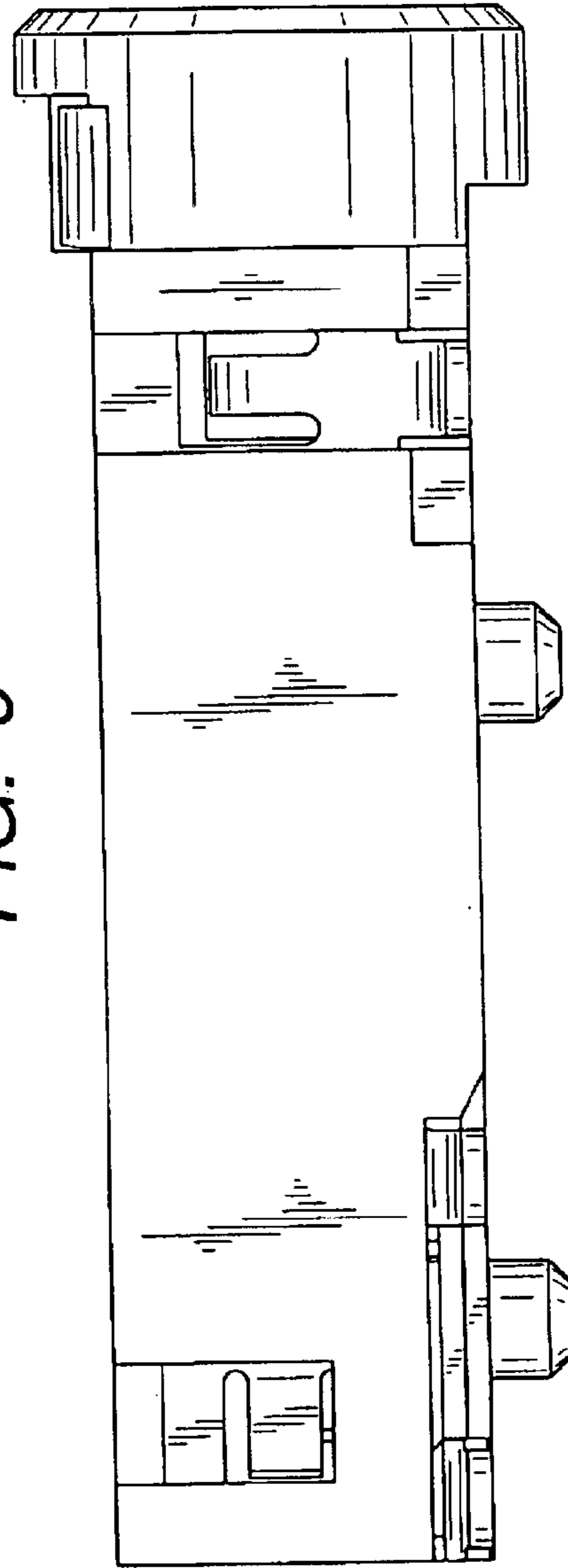


FIG. 7

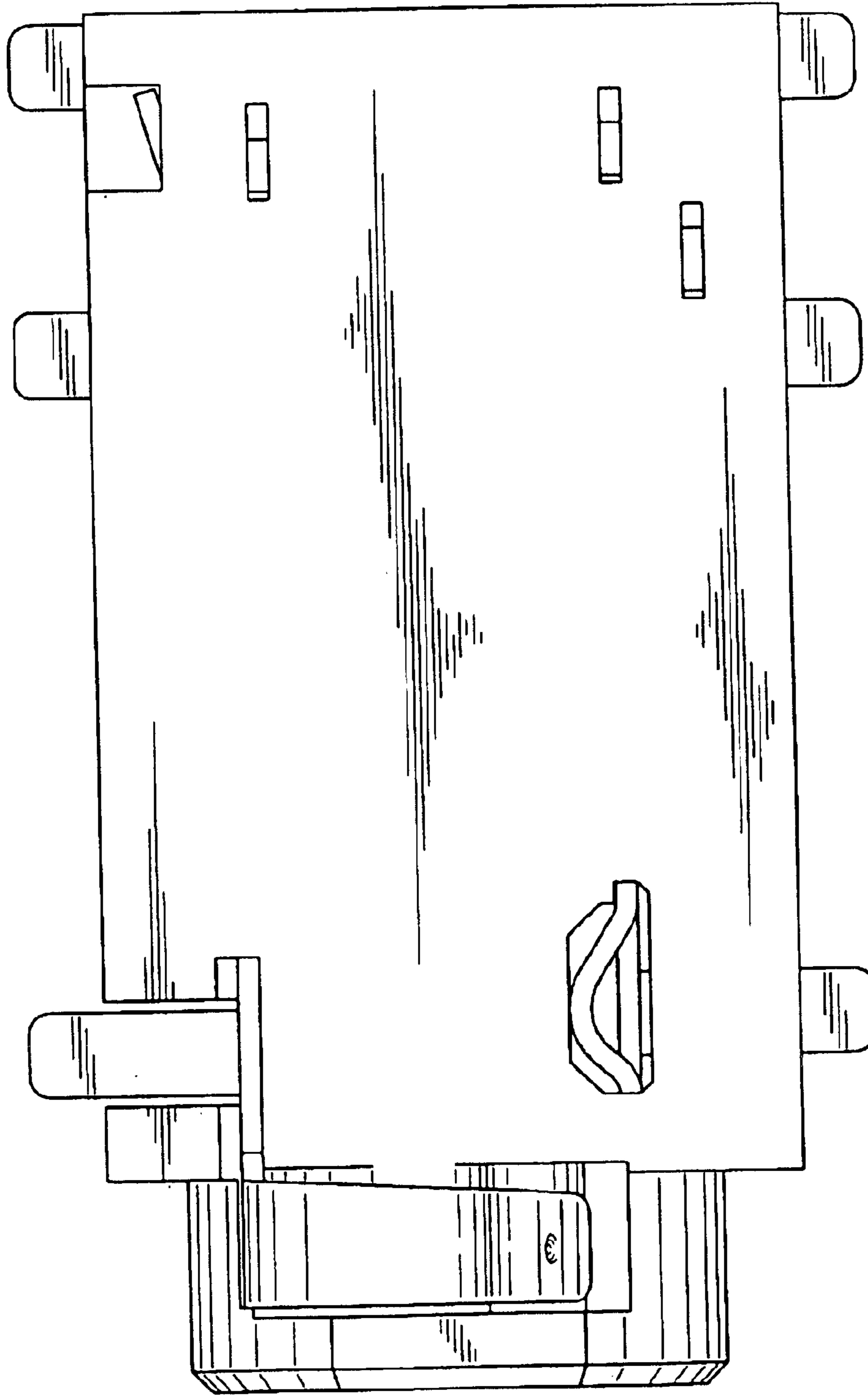
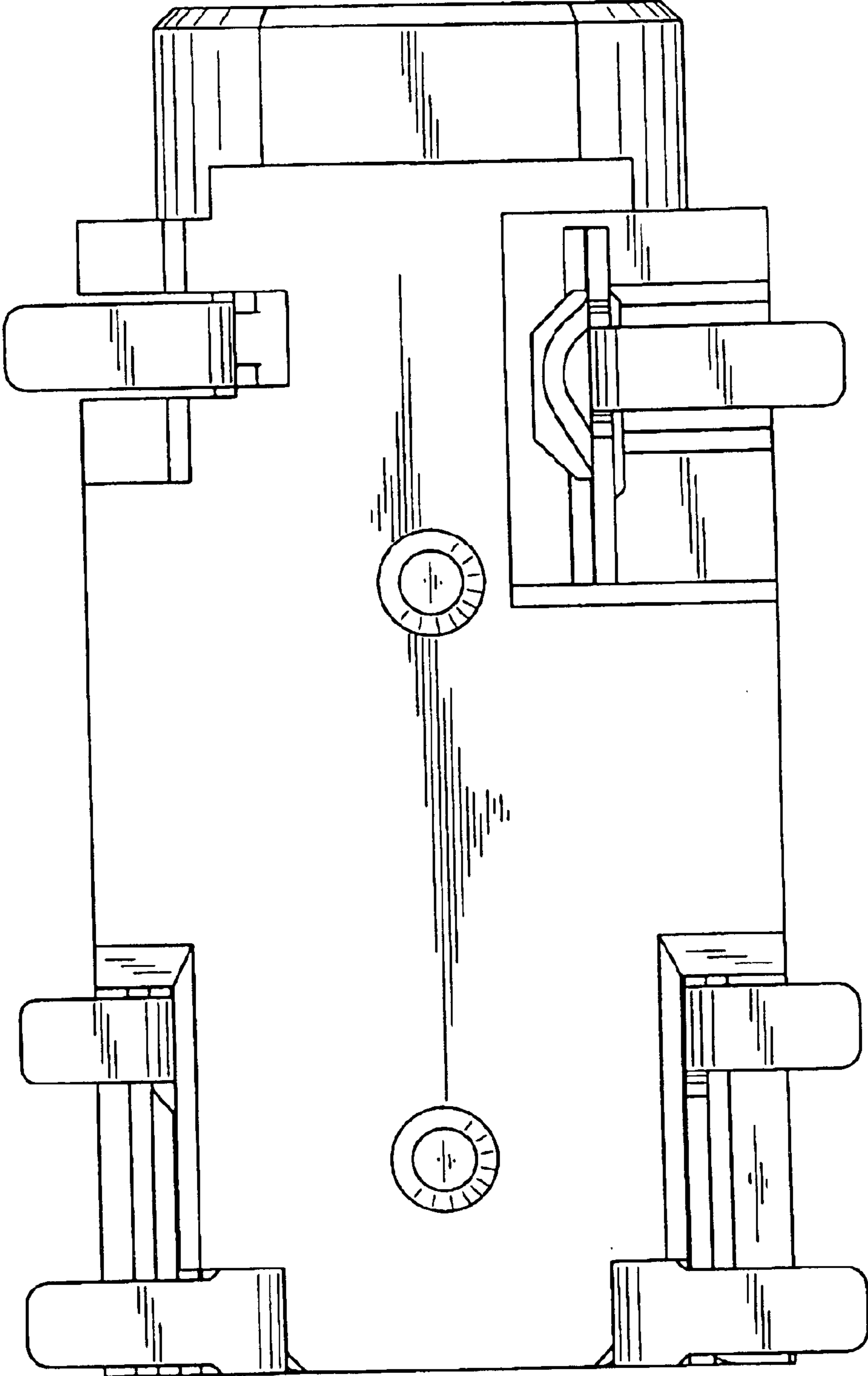


FIG. 8



UNITED STATES PATENT AND TRADEMARK OFFICE
CERTIFICATE OF CORRECTION

PATENT NO. : Des. 507,531 S
DATED : July 19, 2005
INVENTOR(S) : Hiroshi Suzuki

Page 1 of 1

It is certified that error appears in the above-identified patent and that said Letters Patent is hereby corrected as shown below:

Title page,

Insert Item:

-- [30] **Foreign Application Priority Data**
Feb. 3, 2004 (JP).....JP 2004-002643 --.

Signed and Sealed this

Twenty-fifth Day of October, 2005

A handwritten signature in black ink on a light gray dotted background. The signature reads "Jon W. Dudas" in a cursive, stylized script.

JON W. DUDAS

Director of the United States Patent and Trademark Office