

US00D507530S

(12) **United States Design Patent** (10) **Patent No.:** **US D507,530 S**
Watanabe et al. (45) **Date of Patent:** **** Jul. 19, 2005**

(54) **OPTICAL FIBER SOCKET**

(75) Inventors: **Yuji Watanabe**, Yokohama (JP);
Takashi Tsukamoto, Yokohama (JP);
Tsuyoshi Hisano, Kadoma (JP);
Katsunori Kitagawa, Kadoma (JP);
Kenji Furufuji, Kadoma (JP);
Yasusuke Hioki, Tokyo (JP); **Mikio Hojo**, Tokyo (JP); **Katsuyuki Nakano**, Tokyo (JP)

(73) Assignees: **Matsushita Electric Works, Ltd.**, Kadoma (JP); **Sanwa Denki Kogyo Co., Ltd.**, Tokyo (JP)

(**) Term: **14 Years**

(21) Appl. No.: **29/157,441**

(22) Filed: **Mar. 20, 2002**

(30) **Foreign Application Priority Data**

Sep. 21, 2001 (JP) 2001-027841

(51) **LOC (8) Cl.** **13-03**

(52) **U.S. Cl.** **D13/133**

(58) **Field of Search** D13/133, 146,
D13/147; 385/56, 69, 58-60, 84, 89, 92,
137, 139; 439/493, 351, 354-355, 357-358,
577, 594, 598, 681, 752

(56) **References Cited**

U.S. PATENT DOCUMENTS

D279,669 S * 7/1985 Robinson D13/133
4,601,506 A * 7/1986 Hillson 294/82.14
5,104,243 A * 4/1992 Harding 385/84
5,166,995 A * 11/1992 Briggs et al. 385/58
5,167,542 A * 12/1992 Haitmanek 439/681
5,760,139 A 6/1998 Koikie et al.

5,783,636 A 7/1998 Koike et al.
5,898,813 A * 4/1999 Beier 385/139
5,916,971 A 6/1999 Koike et al.
D417,192 S * 11/1999 Yip et al. D13/133
6,071,441 A 6/2000 Koganezawa et al.
6,074,511 A 6/2000 Takano et al.
6,111,062 A 8/2000 Shirota et al.
D431,023 S * 9/2000 Yip et al. D13/133
6,166,125 A 12/2000 Sugiyama et al.
6,221,987 B1 4/2001 Sugiyama
6,225,382 B1 5/2001 Matsukura et al.
6,271,312 B1 8/2001 Koike et al.
6,448,452 B2 9/2002 Kashiwagi et al.
6,586,726 B2 * 7/2003 Verdiell 250/239
2003/0068135 A1 * 4/2003 Watanabe et al. 385/53
2004/0161967 A1 * 8/2004 Tsai 439/502

* cited by examiner

Primary Examiner—Stella Reid

Assistant Examiner—Daniel Bui

(74) *Attorney, Agent, or Firm*—Oblon, Spivak, McClelland, Maier & Neustadt, P.C.

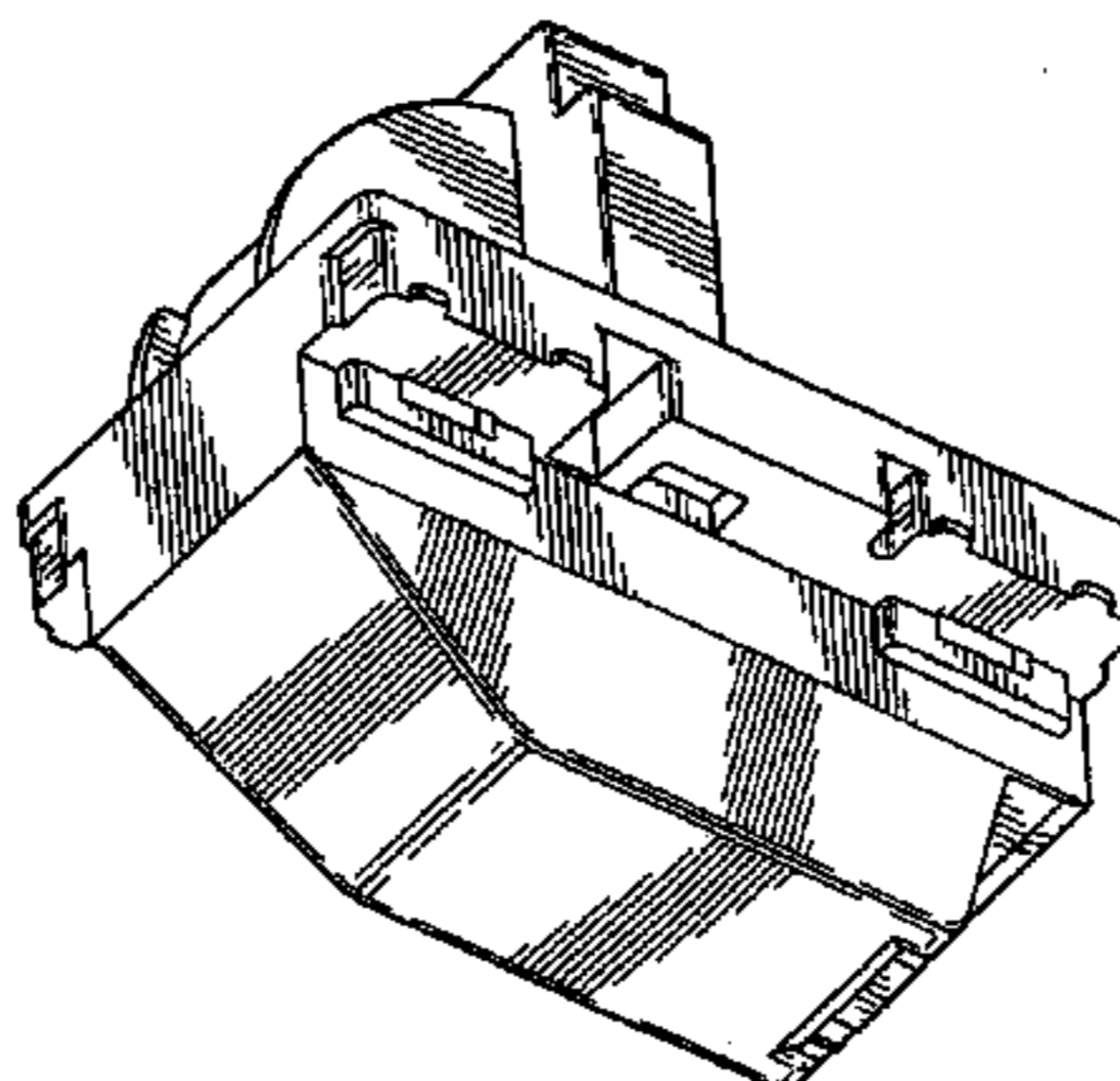
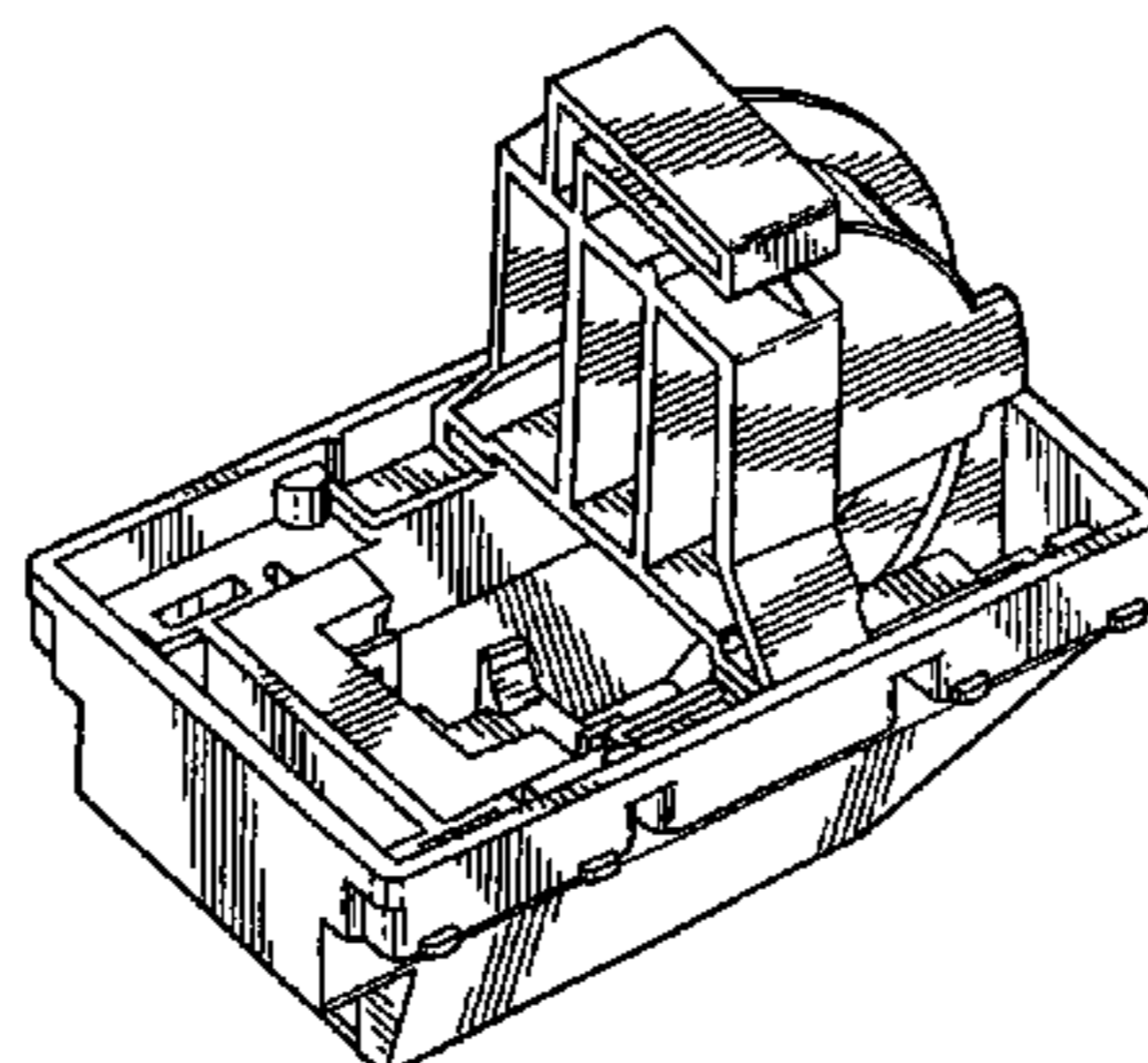
(57) **CLAIM**

The ornamental design for an optical fiber socket, as shown and described.

DESCRIPTION

FIG. 1 is a front elevational view of an optical fiber socket, showing our new design;
FIG. 2 is a rear view thereof;
FIG. 3 is a top plan view thereof;
FIG. 4 is a bottom plan view thereof;
FIG. 5 is a left side elevational view thereof;
FIG. 6 is a right side elevational view thereof;
FIG. 7 is a bottom, rear, left perspective view thereof; and,
FIG. 8 is a top, front, right perspective view thereof.

1 Claim, 4 Drawing Sheets



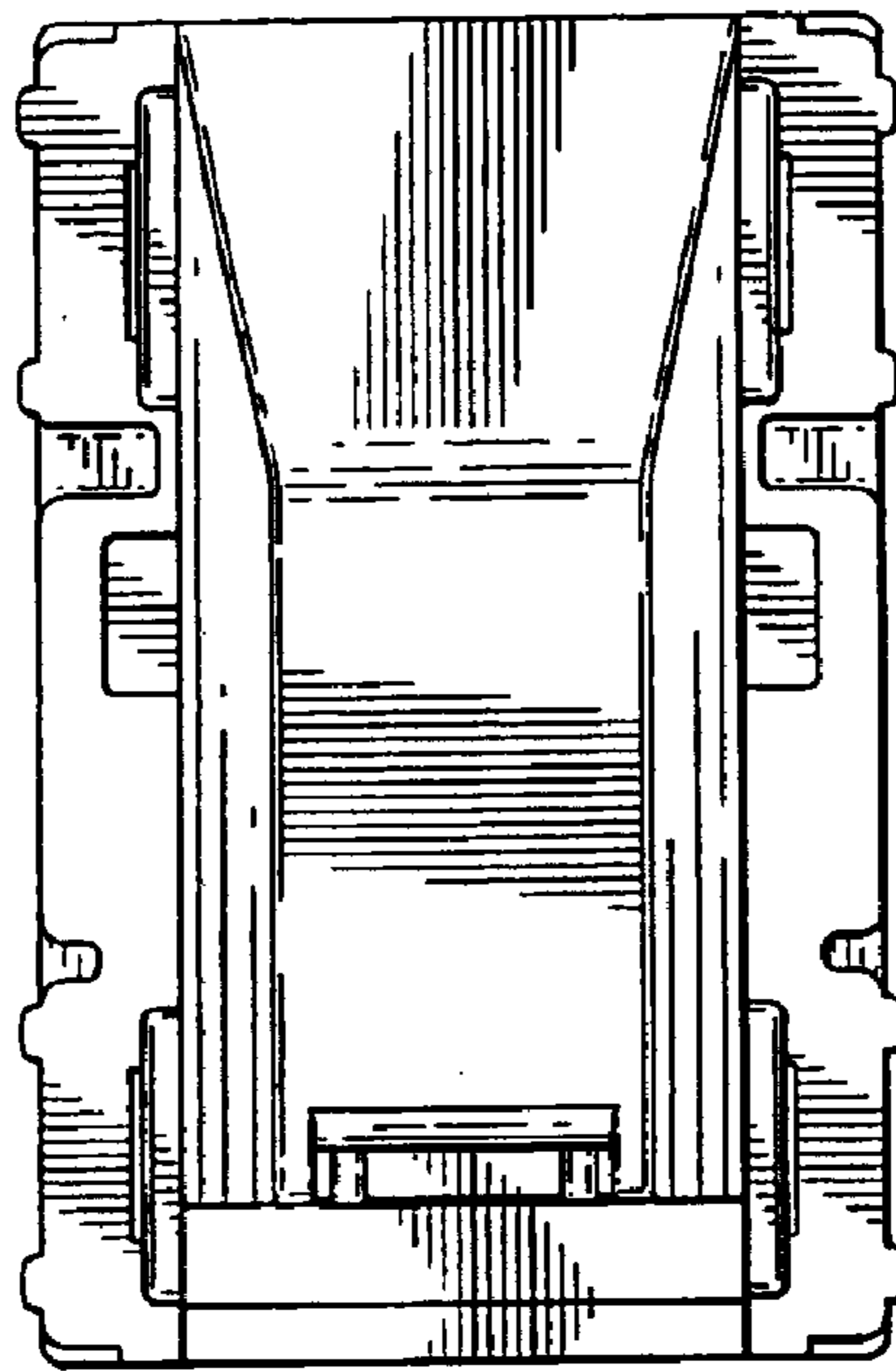


FIG. 1

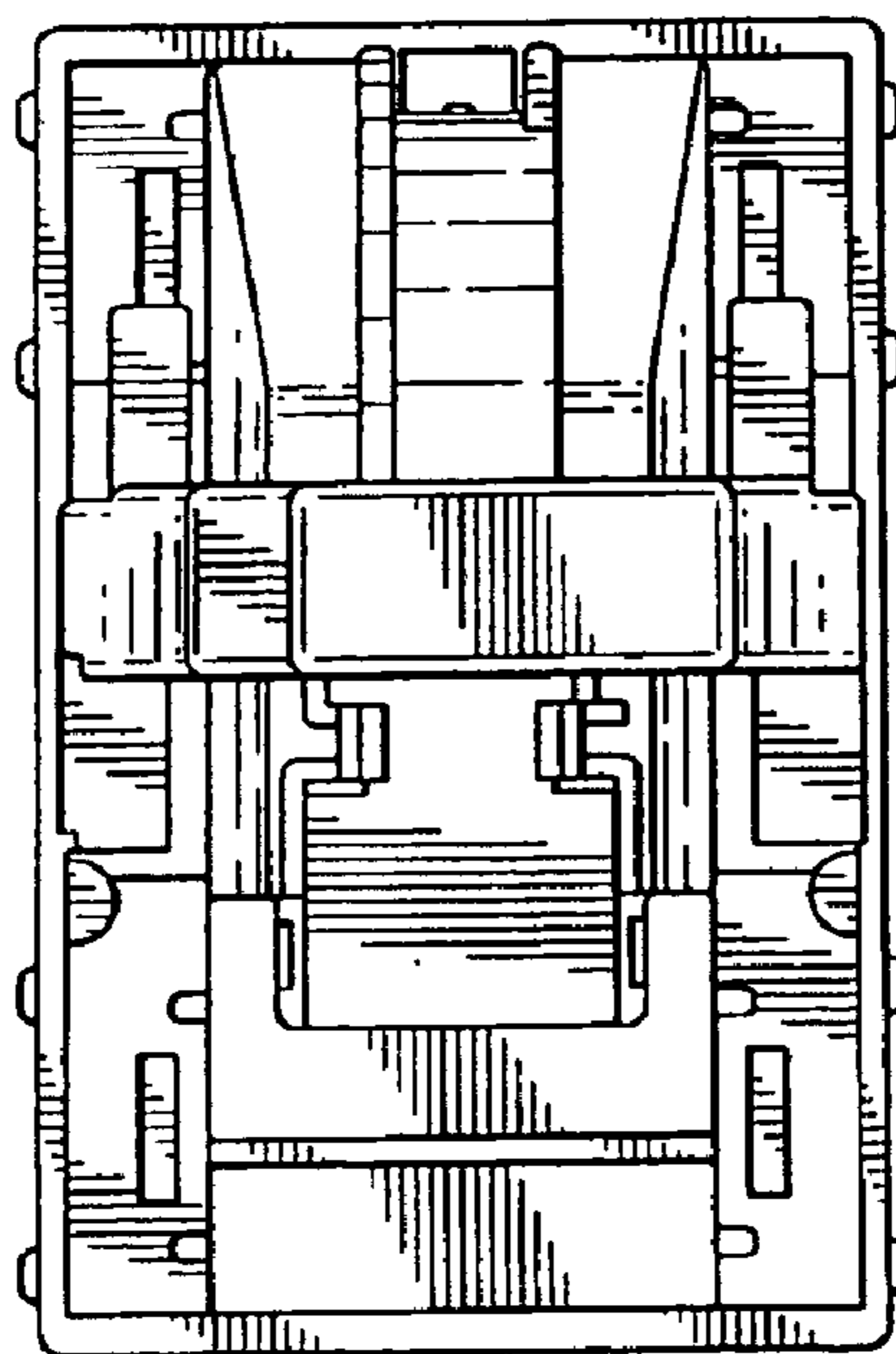


FIG. 2

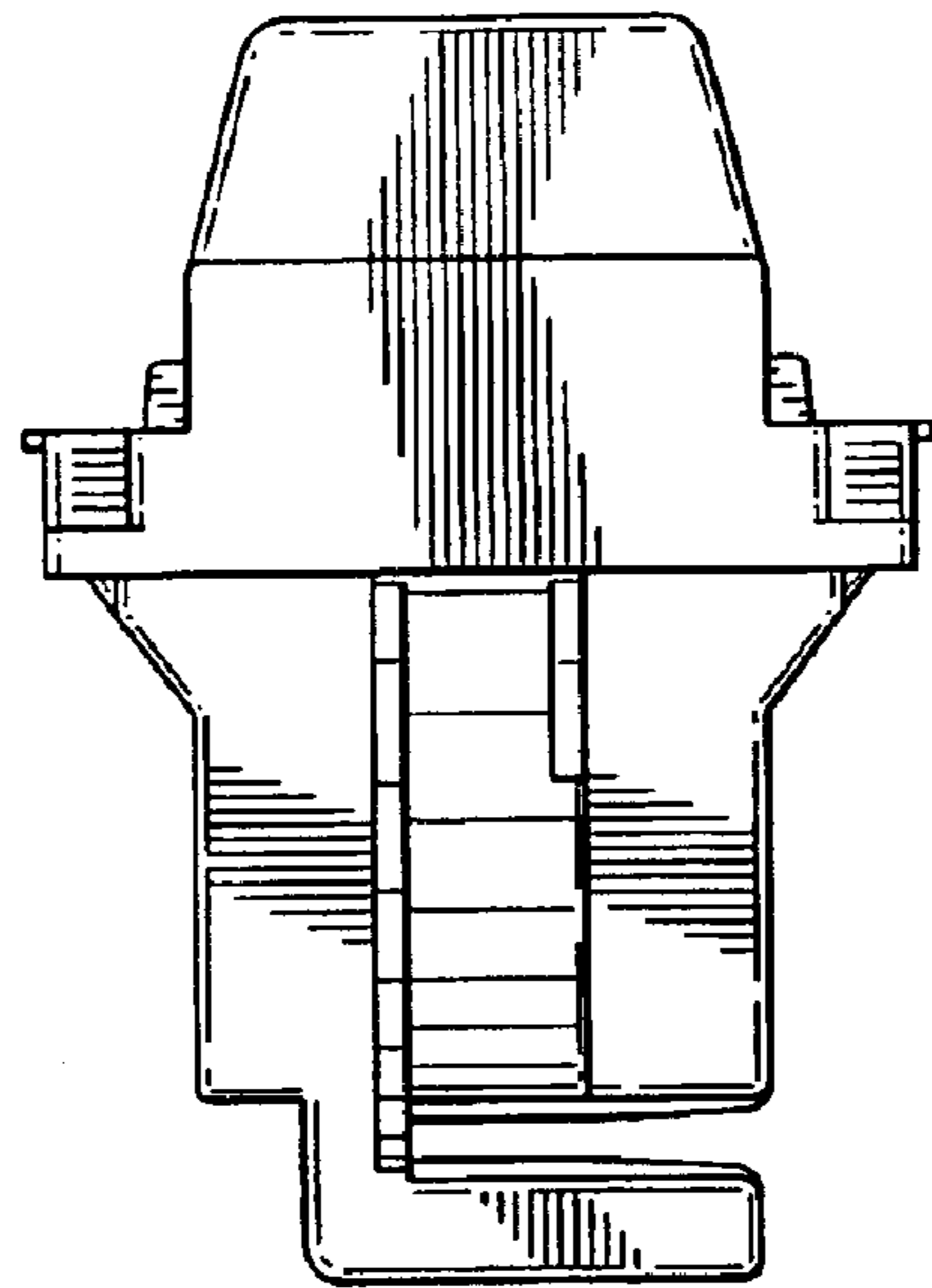


FIG. 3

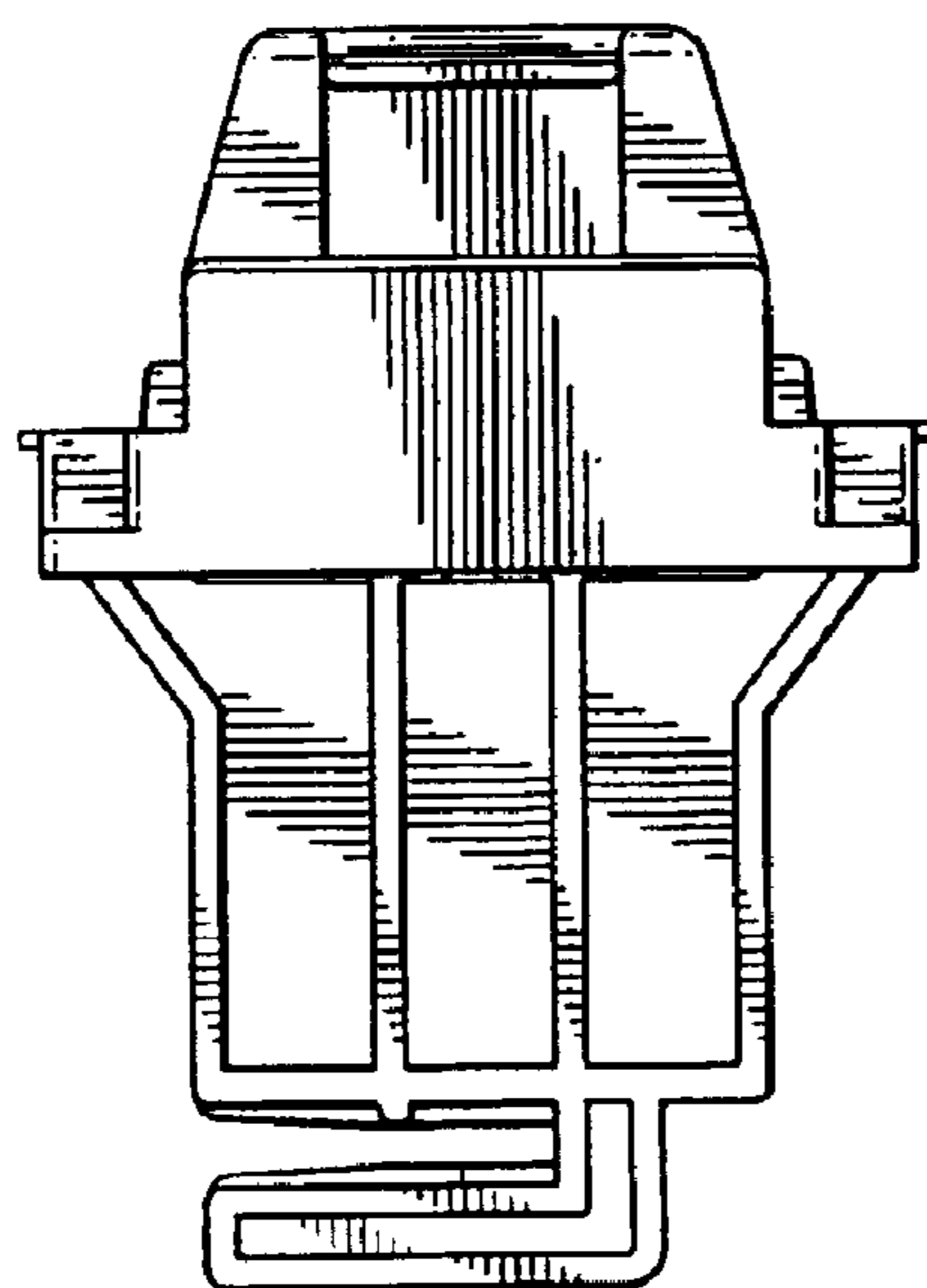


FIG. 4

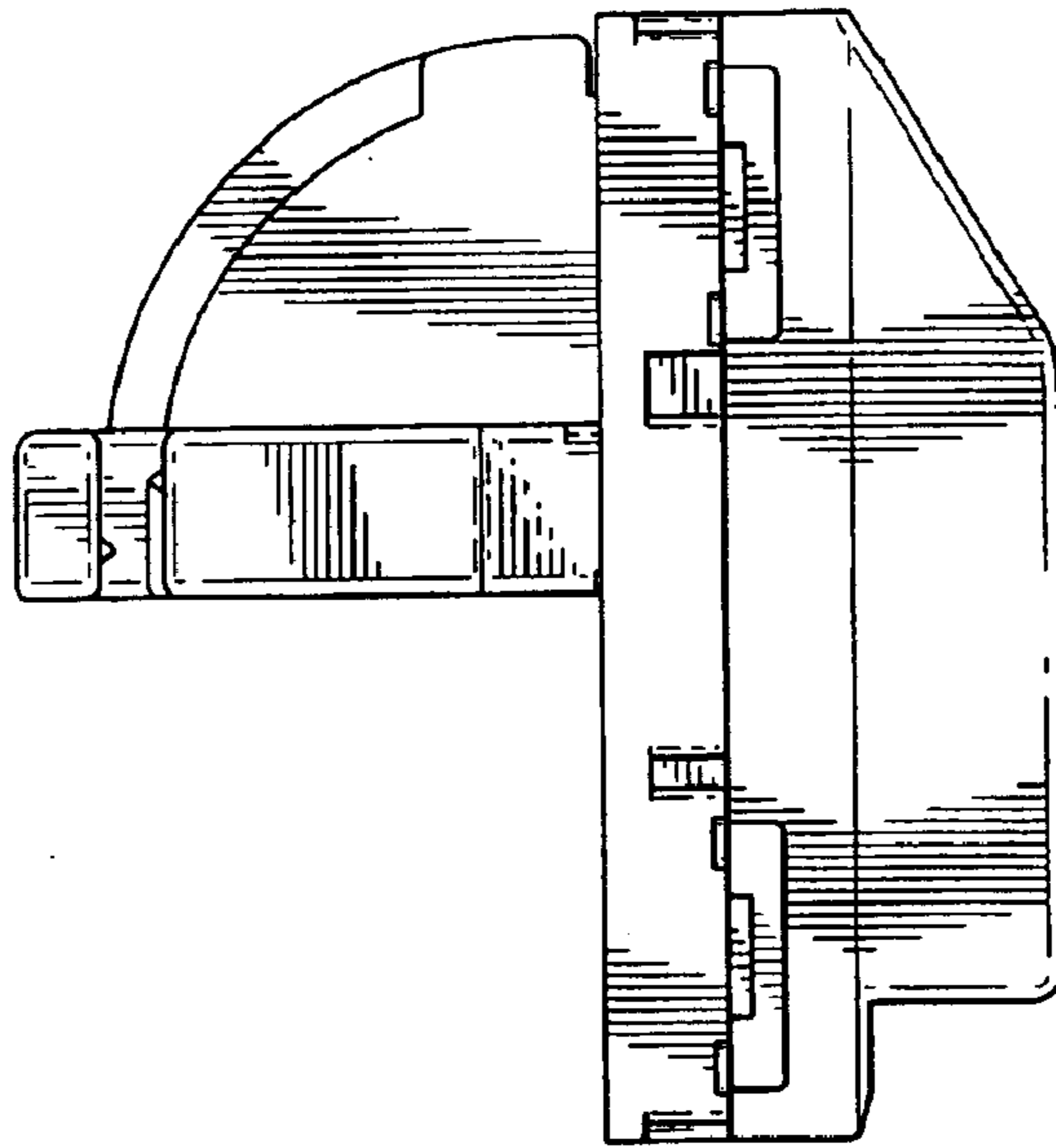


FIG. 5

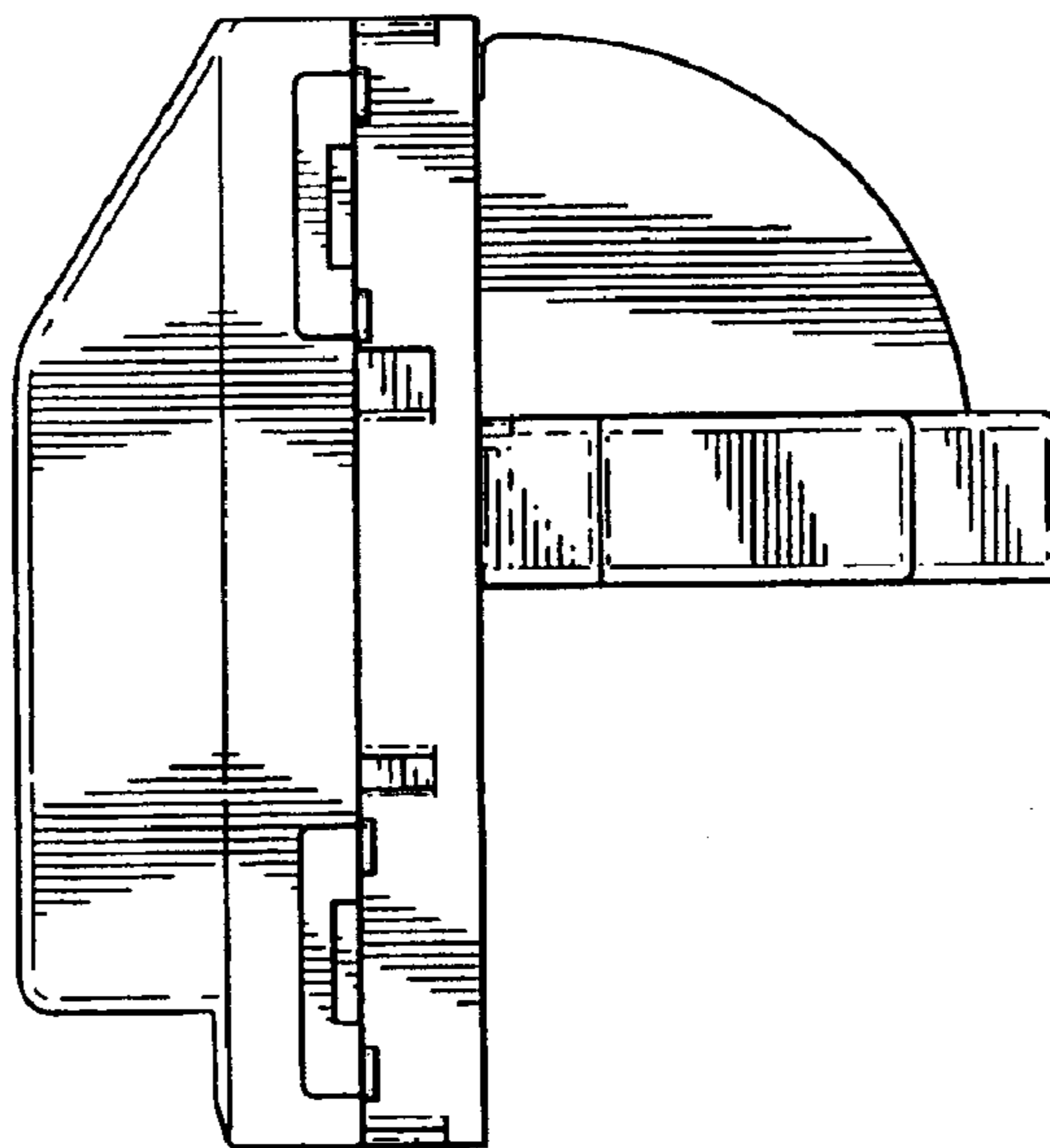


FIG. 6

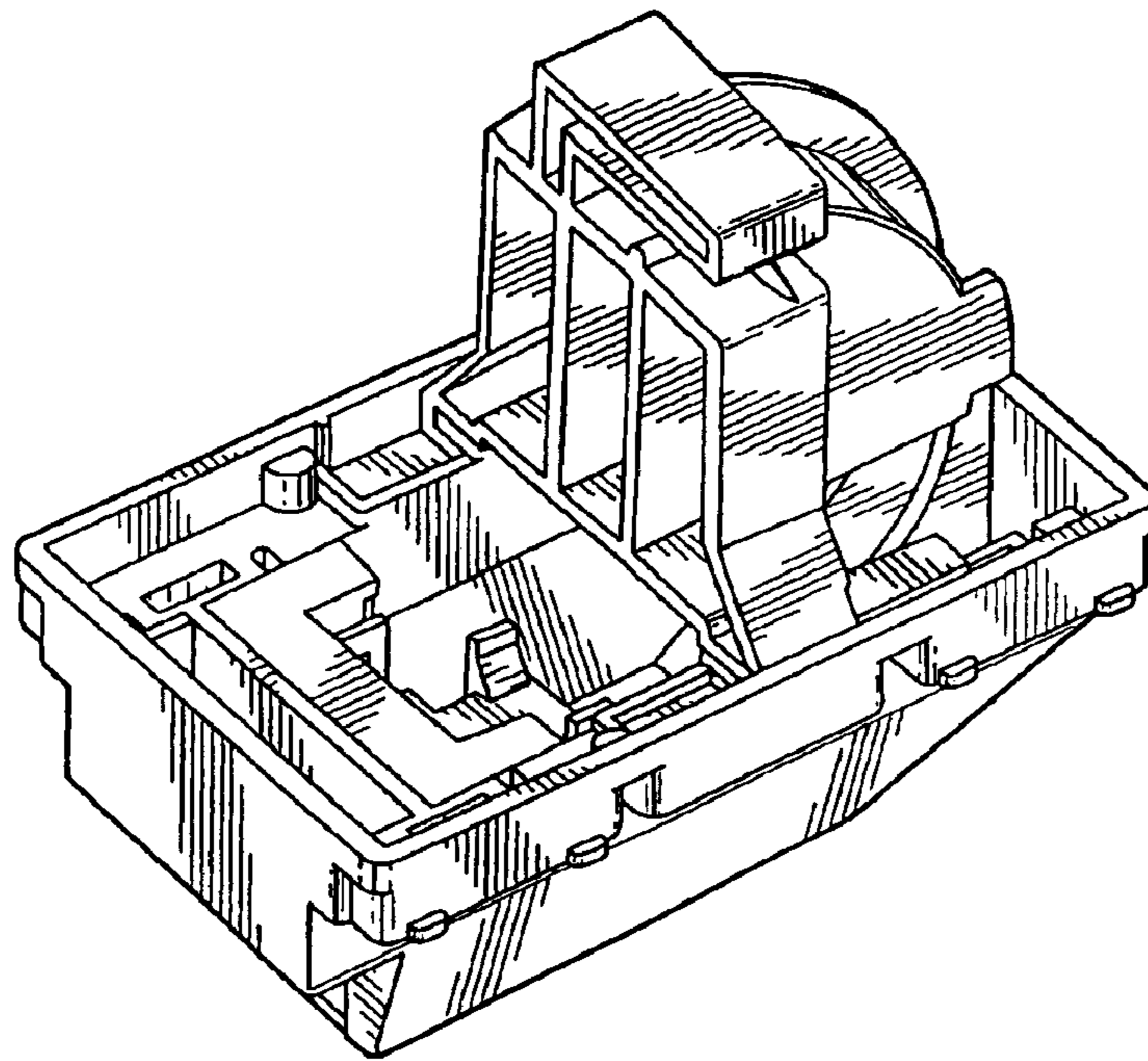


FIG. 7

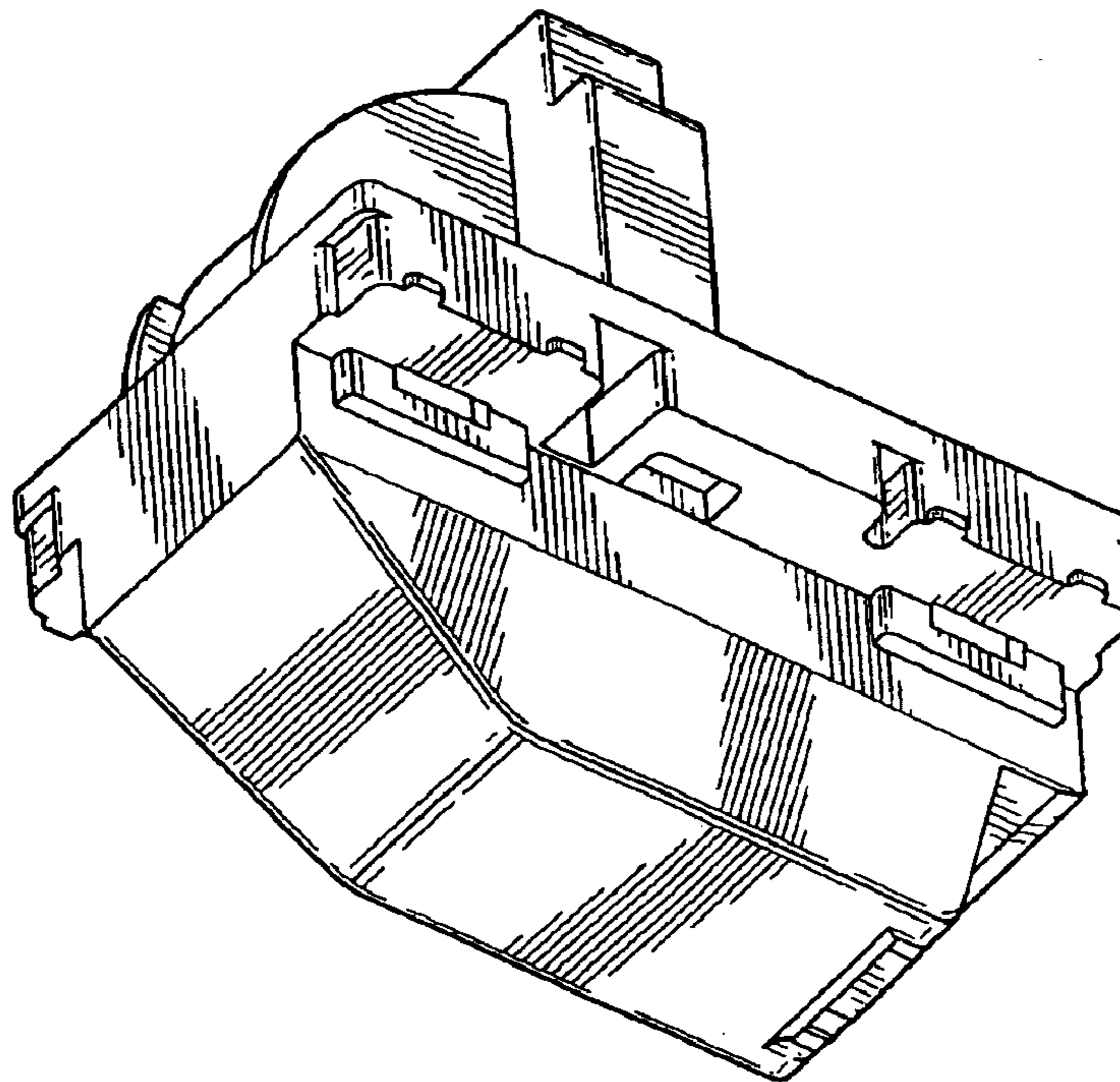


FIG. 8