

US00D507529S

(12) **United States Design Patent**  
**Lee**

(10) **Patent No.:** **US D507,529 S**  
(45) **Date of Patent:** **\*\* Jul. 19, 2005**

(54) **GENERATOR**

(75) **Inventor:** **Chiu-Hsuan Lee, Fengyuan (TW)**

(73) **Assignee:** **Jin Hsin Ho Mold Enterprise Co., Ltd., Taichung (TW)**

(\*\*) **Term:** **14 Years**

(21) **Appl. No.:** **29/218,471**

(22) **Filed:** **Dec. 3, 2004**

(51) **LOC (8) Cl.** ..... **13-01**

(52) **U.S. Cl.** ..... **D13/116**

(58) **Field of Search** ..... **D13/112, 113, D13/114, 116, 199; 123/2-3; 307/150**

(56) **References Cited**

**U.S. PATENT DOCUMENTS**

D138,383 S	*	7/1944	Whitesell et al.	.....	D13/110
D276,997 S	*	1/1985	Mikado	.....	D13/116
D278,425 S	*	4/1985	Toshihiko	.....	D13/116
D382,853 S	*	8/1997	Crawford	.....	D13/112
D418,809 S	*	1/2000	Frank	.....	D13/112

D489,327 S	*	5/2004	Imai	.....	D13/116
6,750,556 B2	*	6/2004	Sodemann et al.	.....	290/1 A
D494,929 S	*	8/2004	Imai	.....	D13/116

\* cited by examiner

*Primary Examiner*—Stella Reid

*Assistant Examiner*—Daniel Bui

(74) *Attorney, Agent, or Firm*—Rosenberg, Klein & Lee

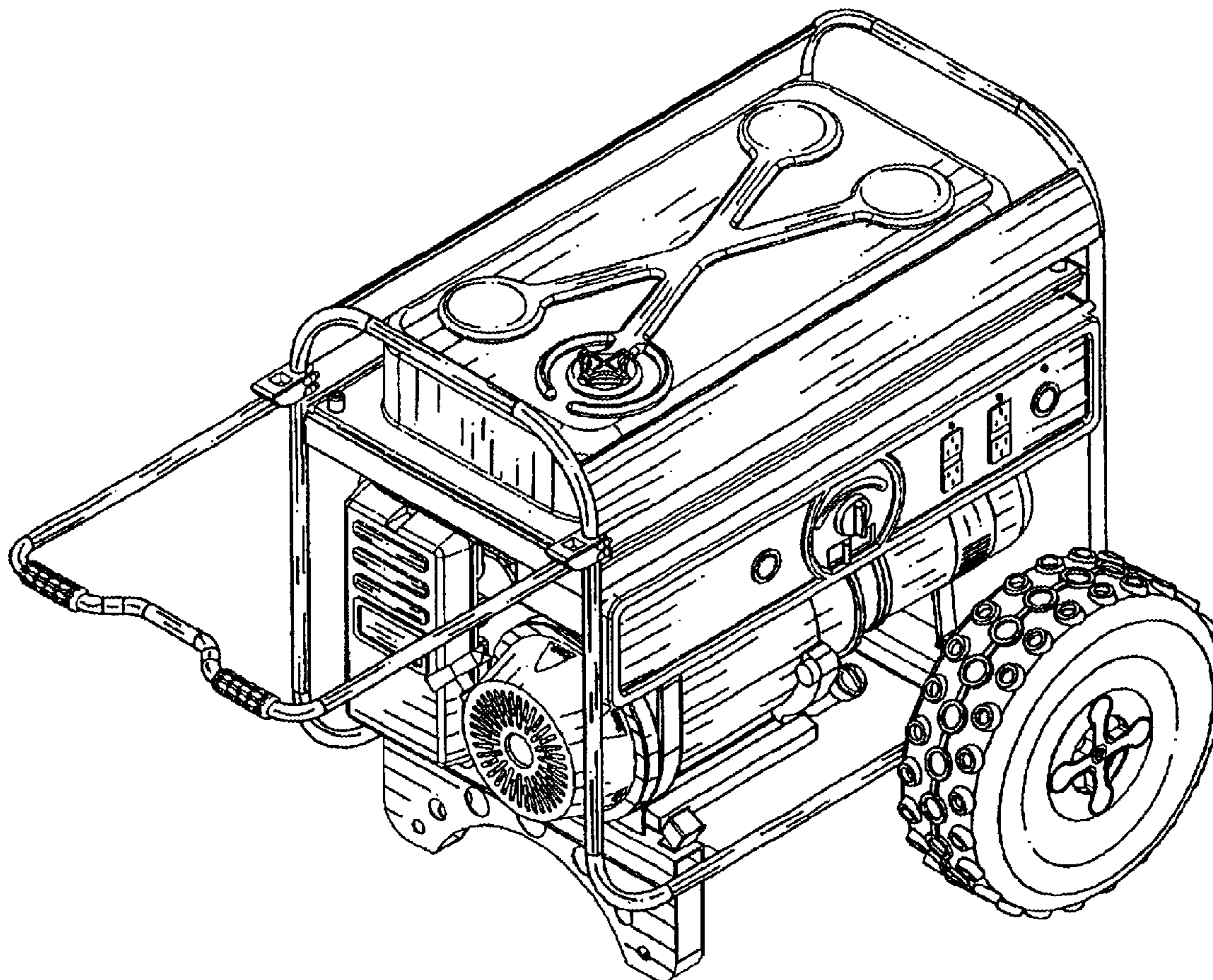
(57) **CLAIM**

The ornamental design for a generator, as shown and described.

**DESCRIPTION**

FIG. 1 is a perspective view of the generator, showing my design;  
FIG. 2 is a front elevational view thereof;  
FIG. 3 is a rear elevational view thereof;  
FIG. 4 is a left side elevational view thereof;  
FIG. 5 is a right side elevational view thereof;  
FIG. 6 is a top plan view thereof; and,  
FIG. 7 is a bottom plan elevational view thereof.

**1 Claim, 7 Drawing Sheets**



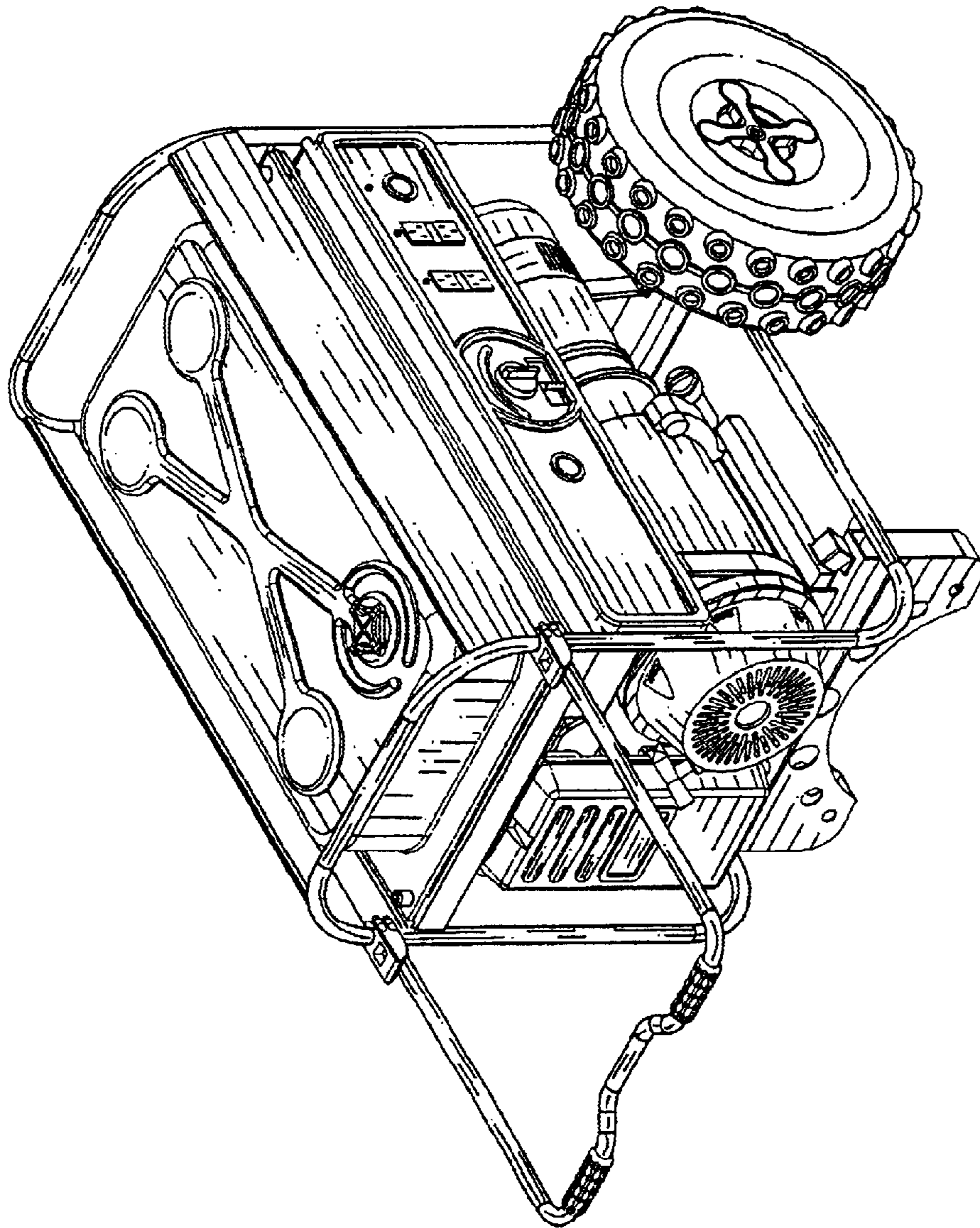


FIG. 1

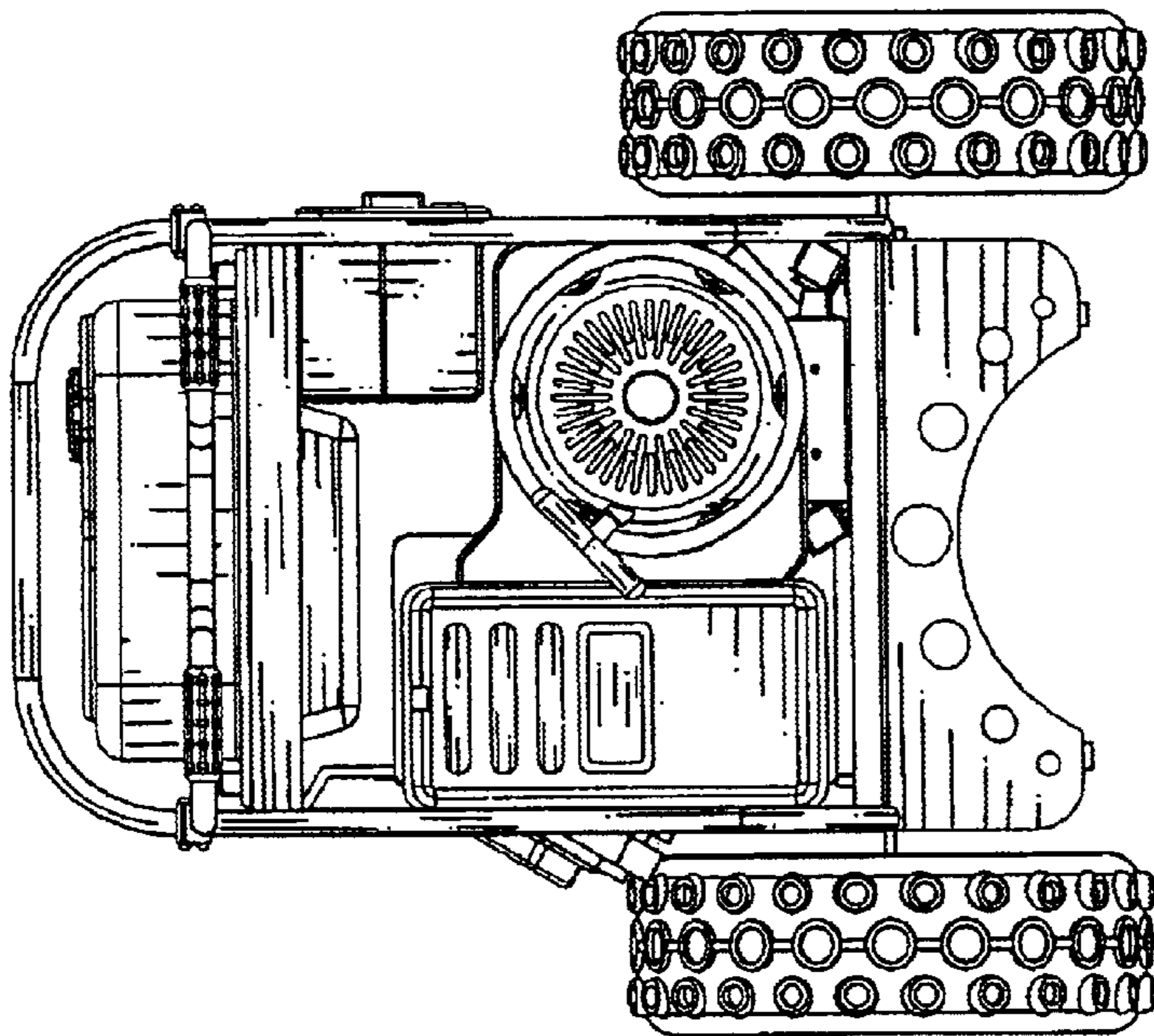


FIG. 2

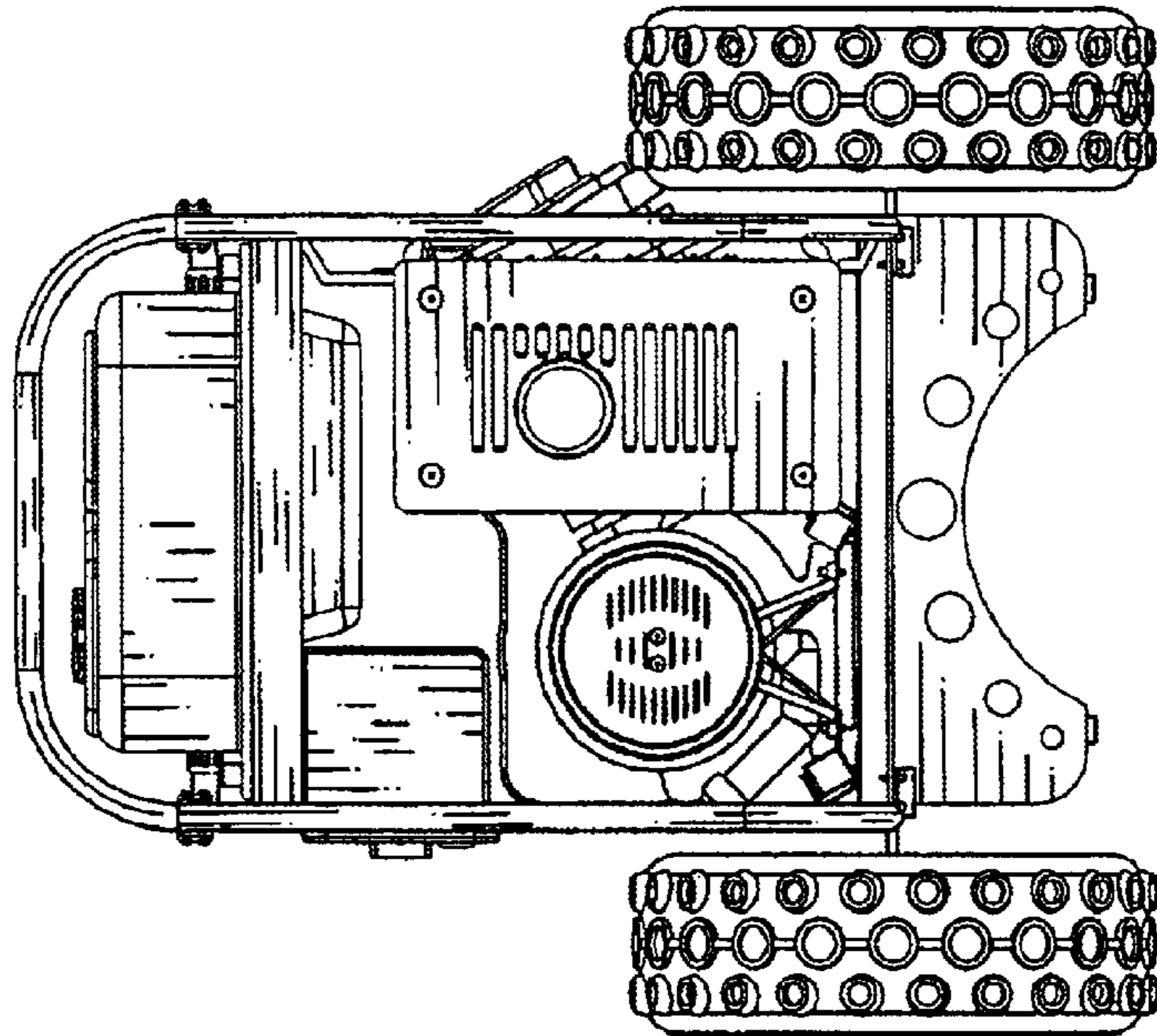


FIG. 3

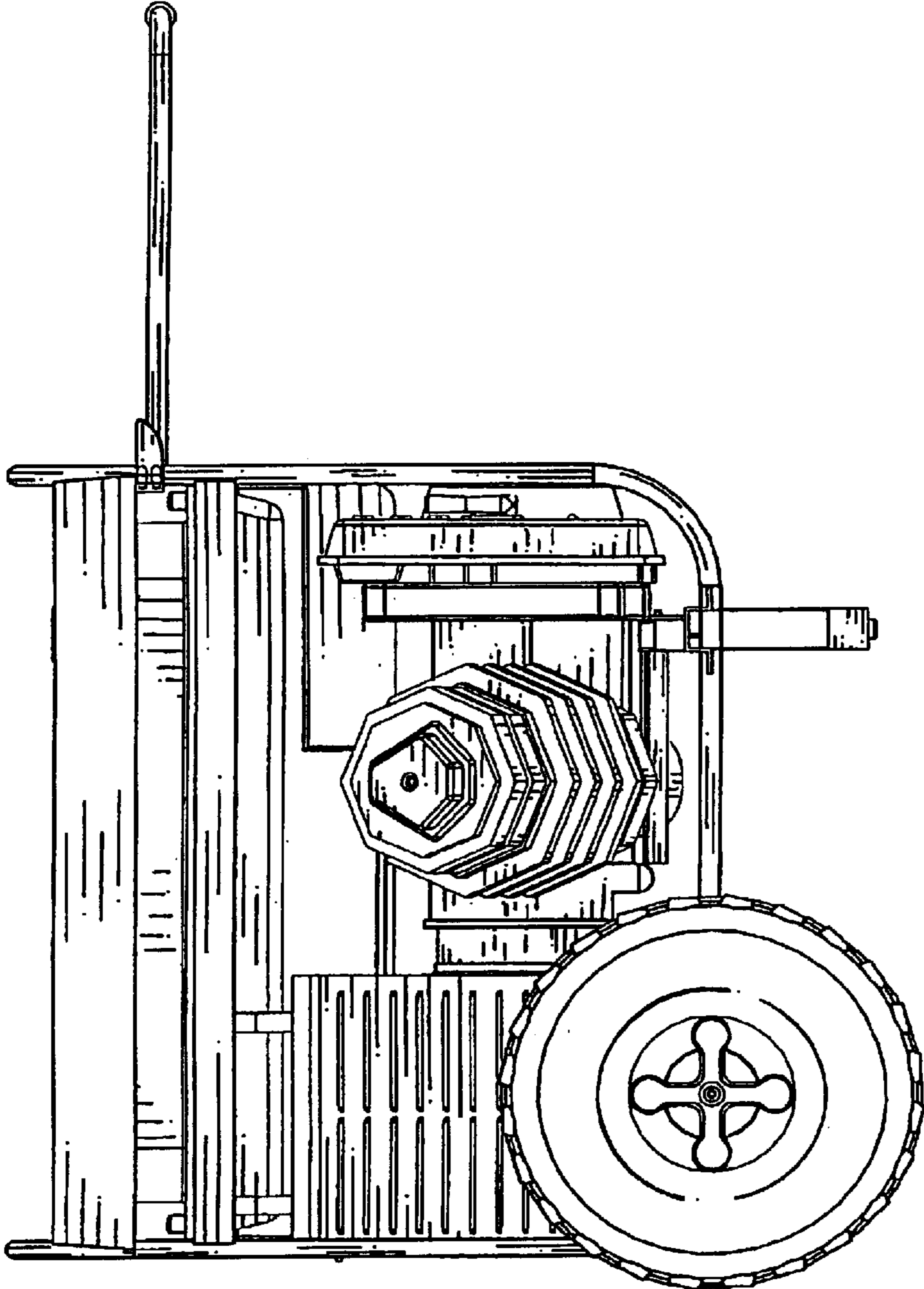


FIG. 4

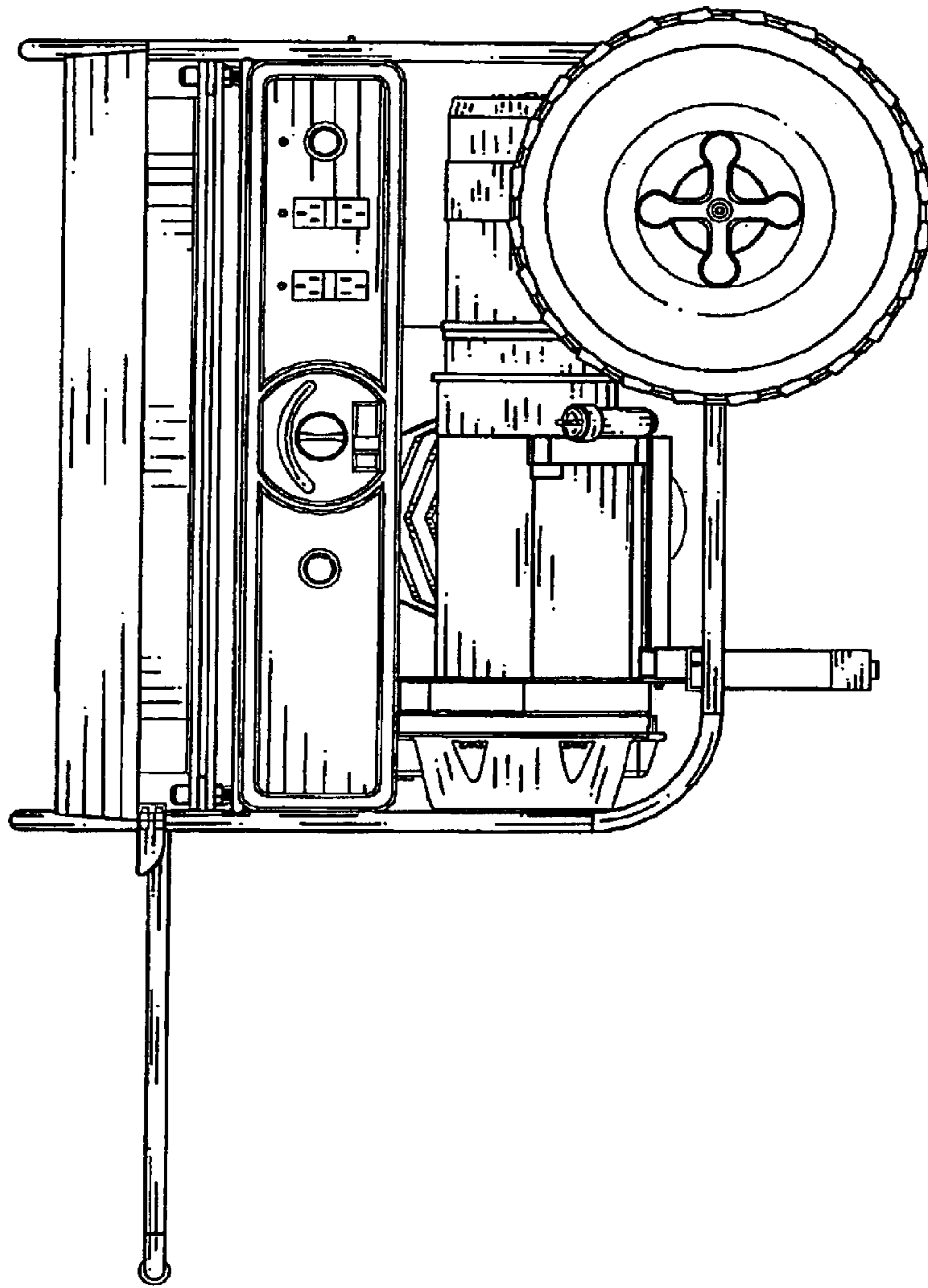


FIG. 5

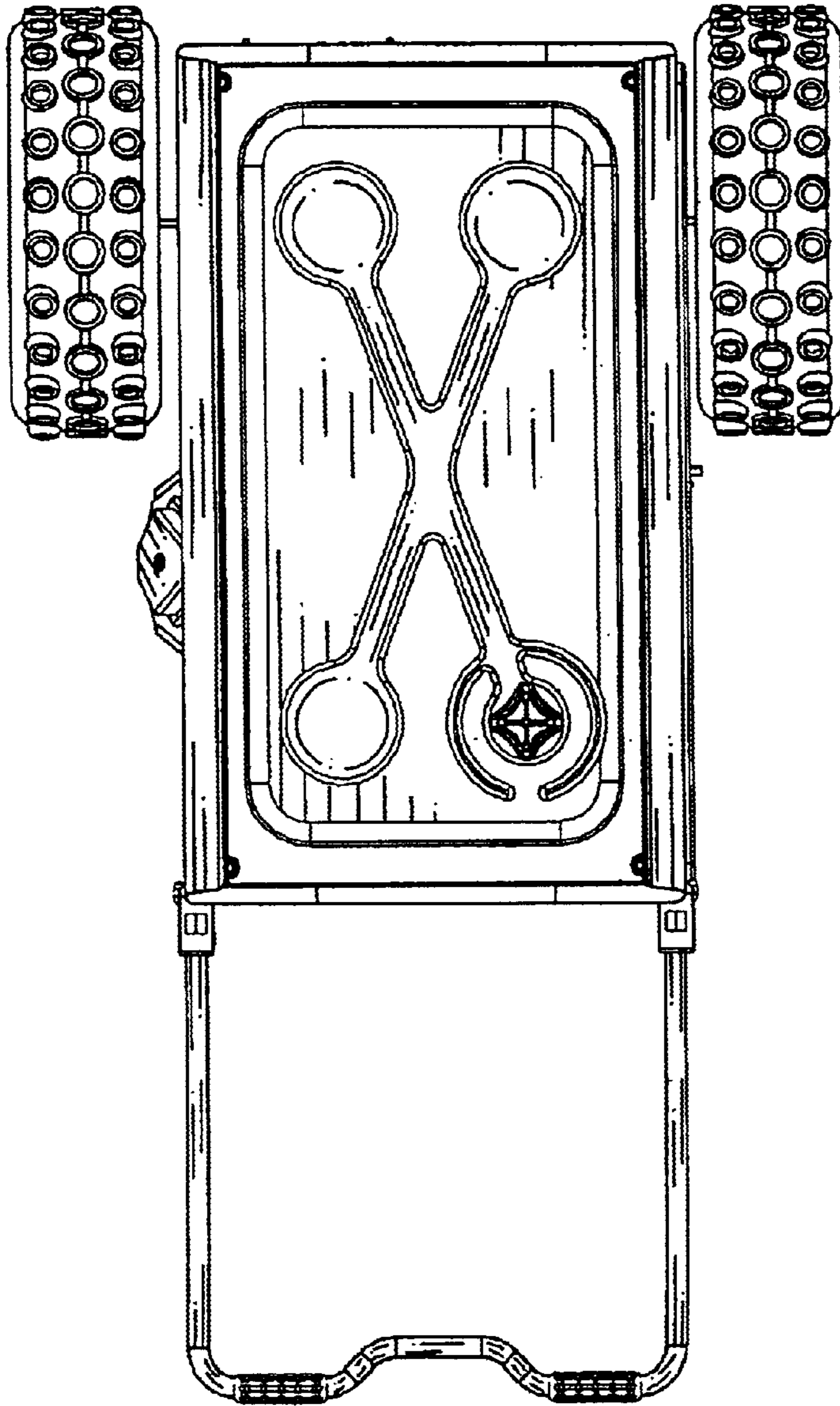


FIG. 6

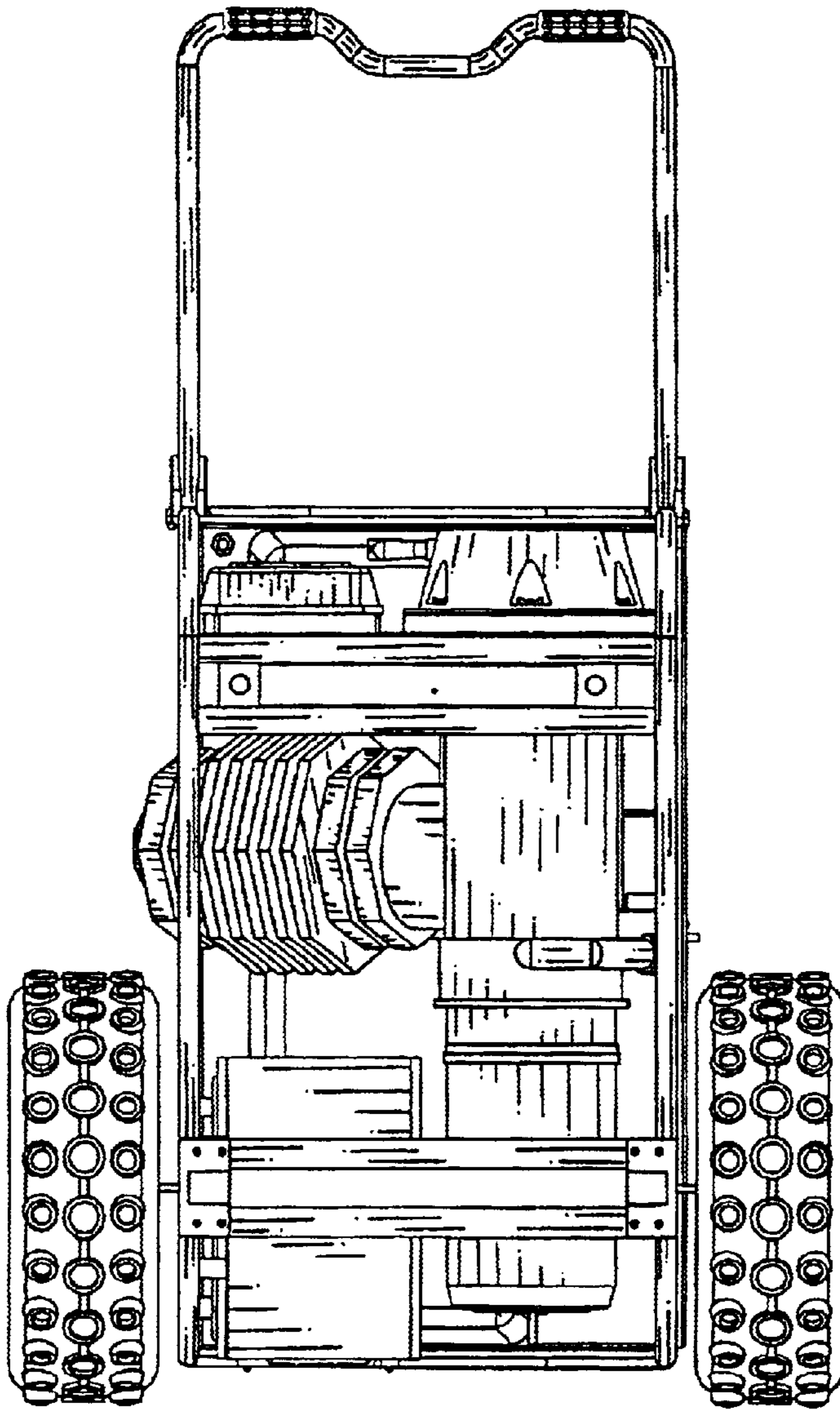


FIG. 7