

US00D507526S

(12) **United States Design Patent**  
**Ohta**

(10) **Patent No.:** **US D507,526 S**  
(45) **Date of Patent:** **\*\* Jul. 19, 2005**

(54) **BATTERY CHARGER FOR AN INPUT/  
OUTPUT TERMINAL OF A COMPUTER**

(75) Inventor: **Kenji Ohta**, Osaka-fu (JP)

(73) Assignee: **Sharp Kabushiki Kaisha**, Osaka (JP)

(\*\*) Term: **14 Years**

(21) Appl. No.: **29/199,797**

(22) Filed: **Feb. 20, 2004**

(30) **Foreign Application Priority Data**

Aug. 21, 2003 (JP) ..... 2003-024075

(51) **LOC (8) Cl.** ..... **13-02**

(52) **U.S. Cl.** ..... **D13/108**

(58) **Field of Search** ..... D13/107-110,  
D13/118, 184; D14/251, 253, 432, 434;  
320/107-115

(56) **References Cited**

**U.S. PATENT DOCUMENTS**

D322,061 S	*	12/1991	Watanabe	.....	D13/108
D323,504 S	*	1/1992	Langton	.....	D14/142
D335,861 S	*	5/1993	Tattari	.....	D13/108
D344,708 S	*	3/1994	Ho	.....	D13/108
D442,141 S	*	5/2001	Ikenaga	.....	D13/107

D445,087 S	*	7/2001	Skoger et al.	.....	D13/108
D453,155 S	*	1/2002	Michel	.....	D14/253
D454,131 S	*	3/2002	Lord	.....	D14/434
D486,492 S	*	2/2004	Sheu et al.	.....	D14/434
D487,897 S	*	3/2004	Huang et al.	.....	D14/434
D488,440 S	*	4/2004	Senda	.....	D13/108
D489,325 S	*	5/2004	Nakamura	.....	D13/110

\* cited by examiner

*Primary Examiner*—Alan P. Douglas

*Assistant Examiner*—Rosemary Tarcza

(74) *Attorney, Agent, or Firm*—Nixon & vanderhye

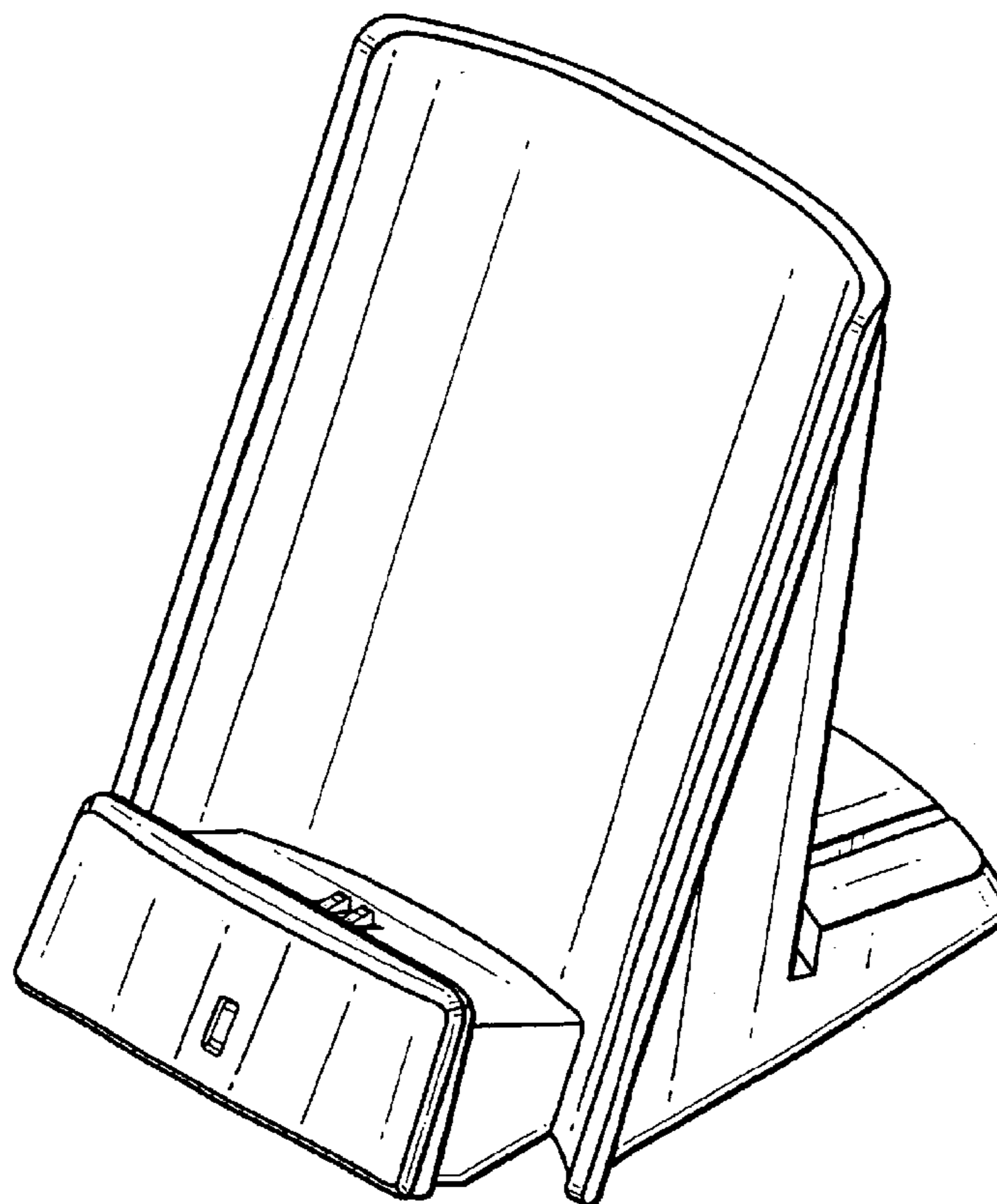
(57) **CLAIM**

The ornamental design for a “battery charger for an input/output terminal of a computer,” as shown and described.

**DESCRIPTION**

FIG. 1 is a top, front and right side perspective view of a battery charger for an input/output terminal of a computer according to my design;  
FIG. 2 is a front elevational view thereof;  
FIG. 3 is a rear elevational view thereof;  
FIG. 4 is a right side elevational view thereof;  
FIG. 5 is a left side elevational view thereof;  
FIG. 6 is a top plan view thereof; and,  
FIG. 7 is a bottom plan view thereof.

**1 Claim, 7 Drawing Sheets**



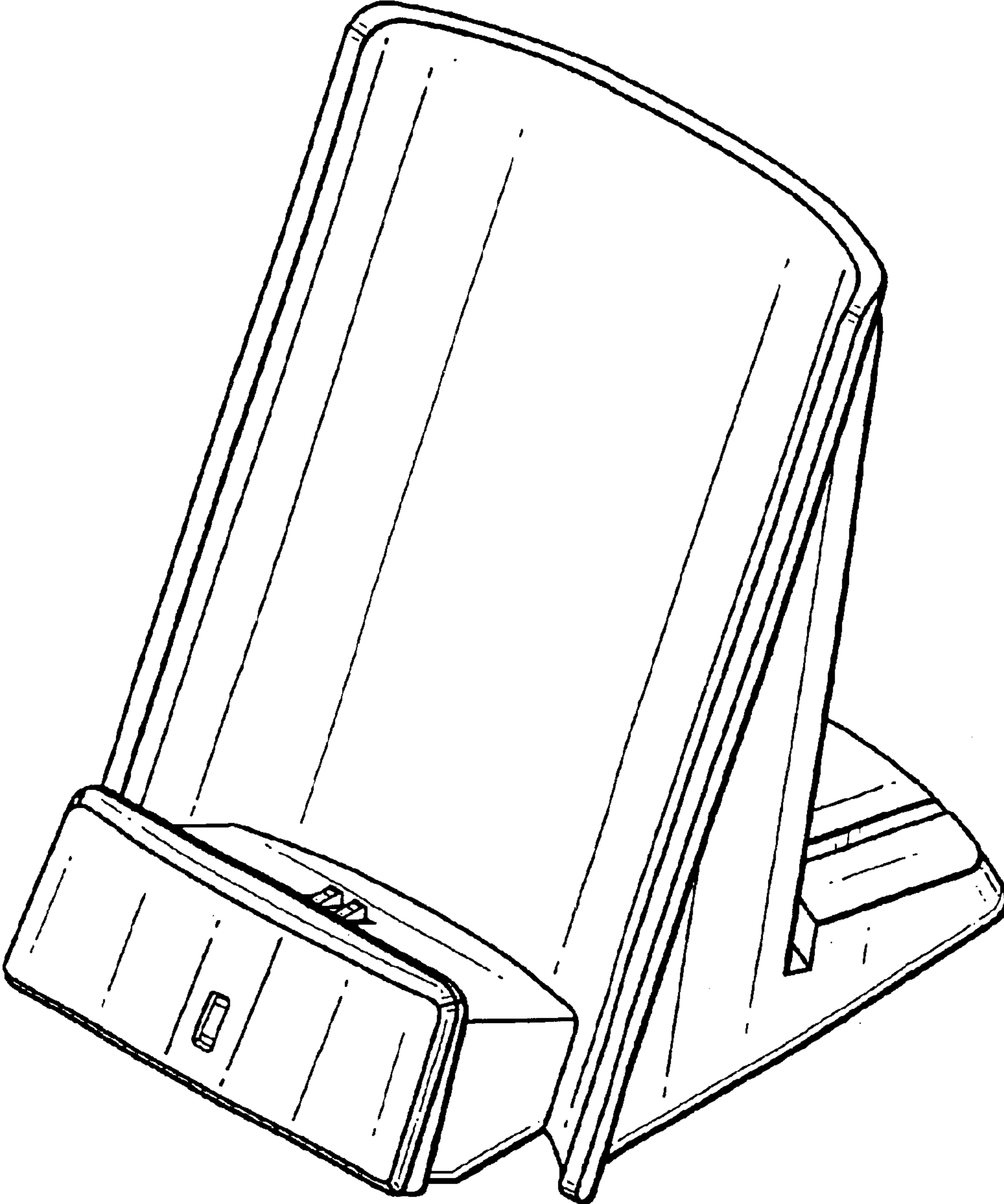


Fig. 1

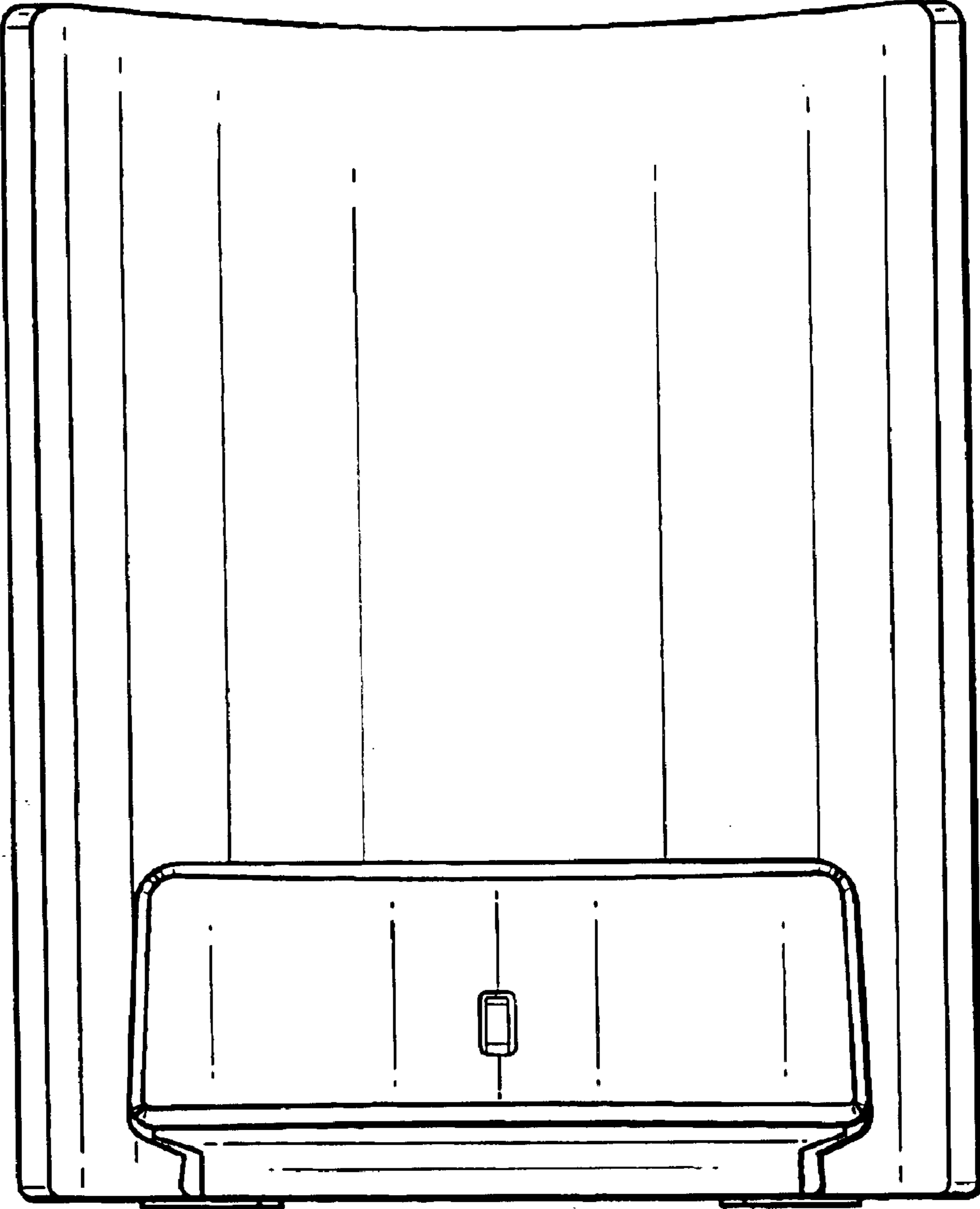


Fig. 2

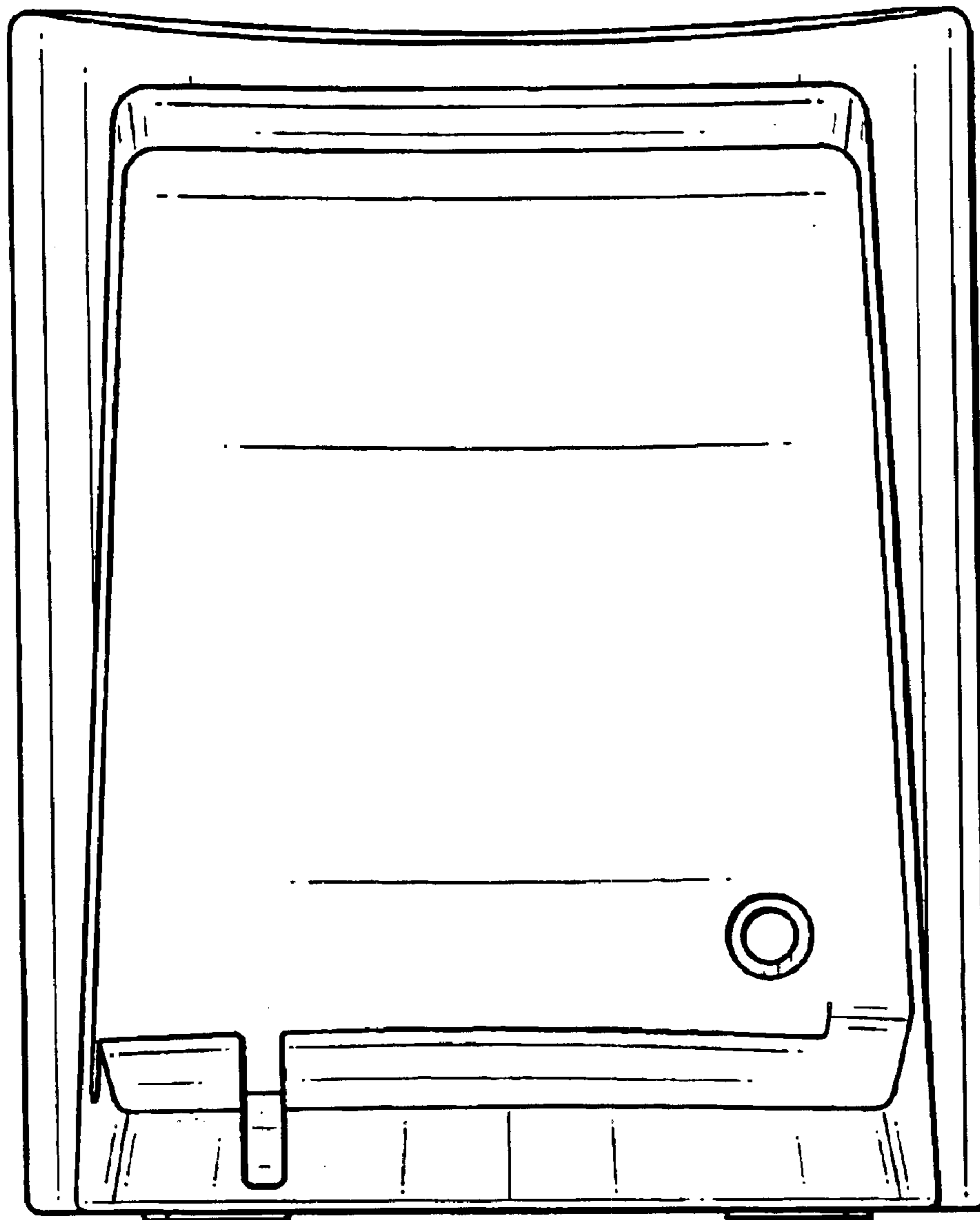


Fig. 3

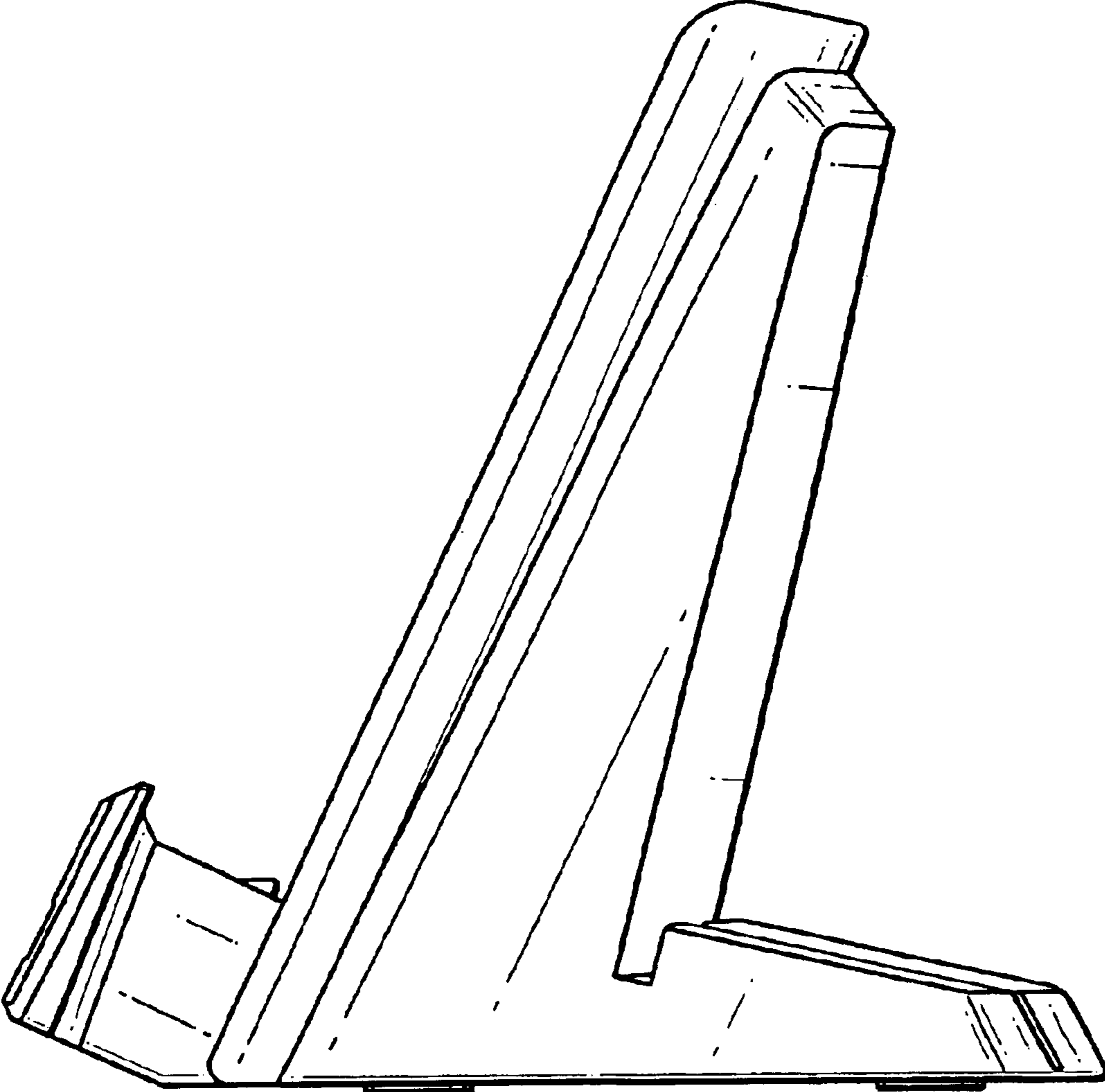


Fig. 4

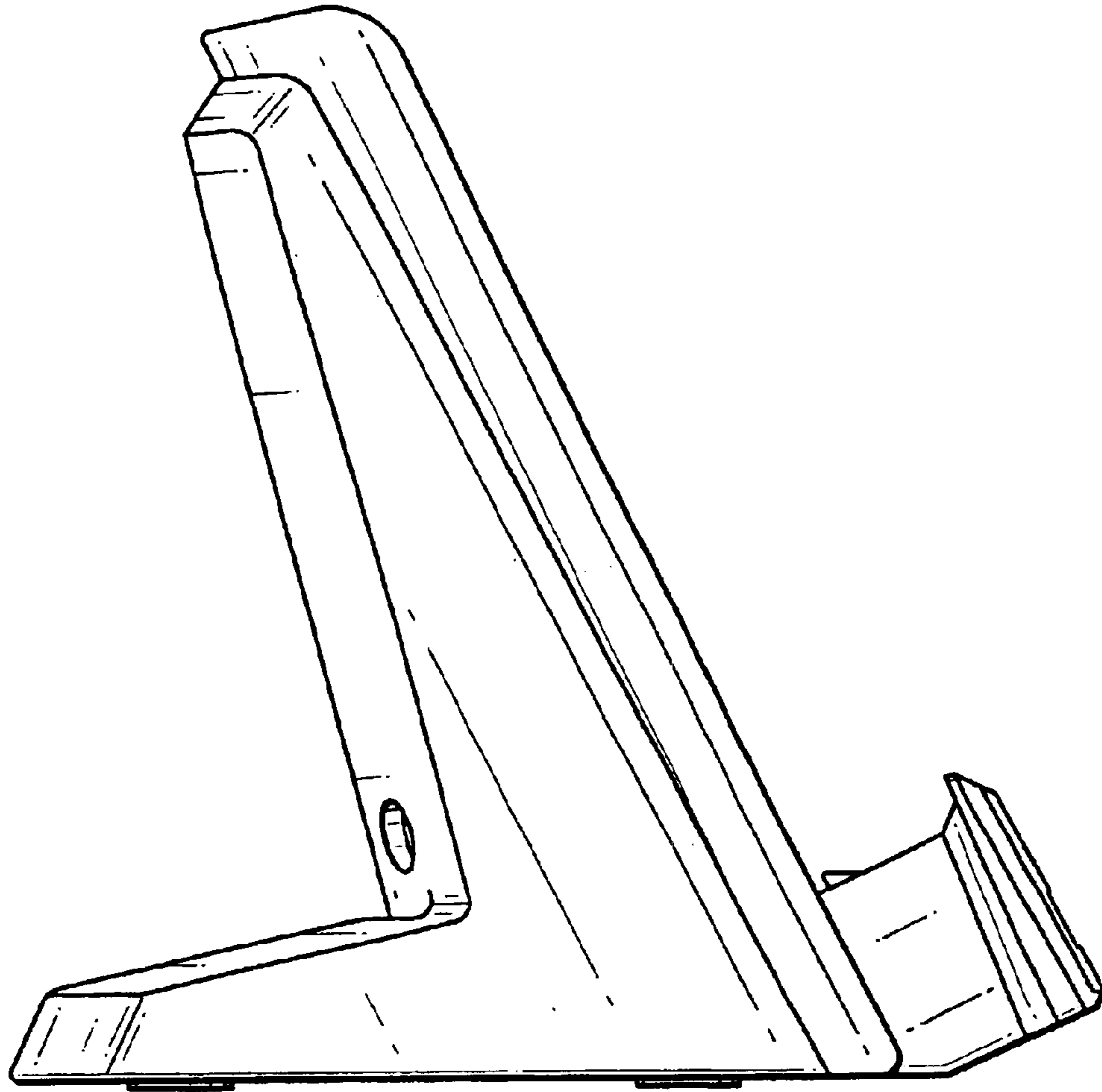


Fig. 5

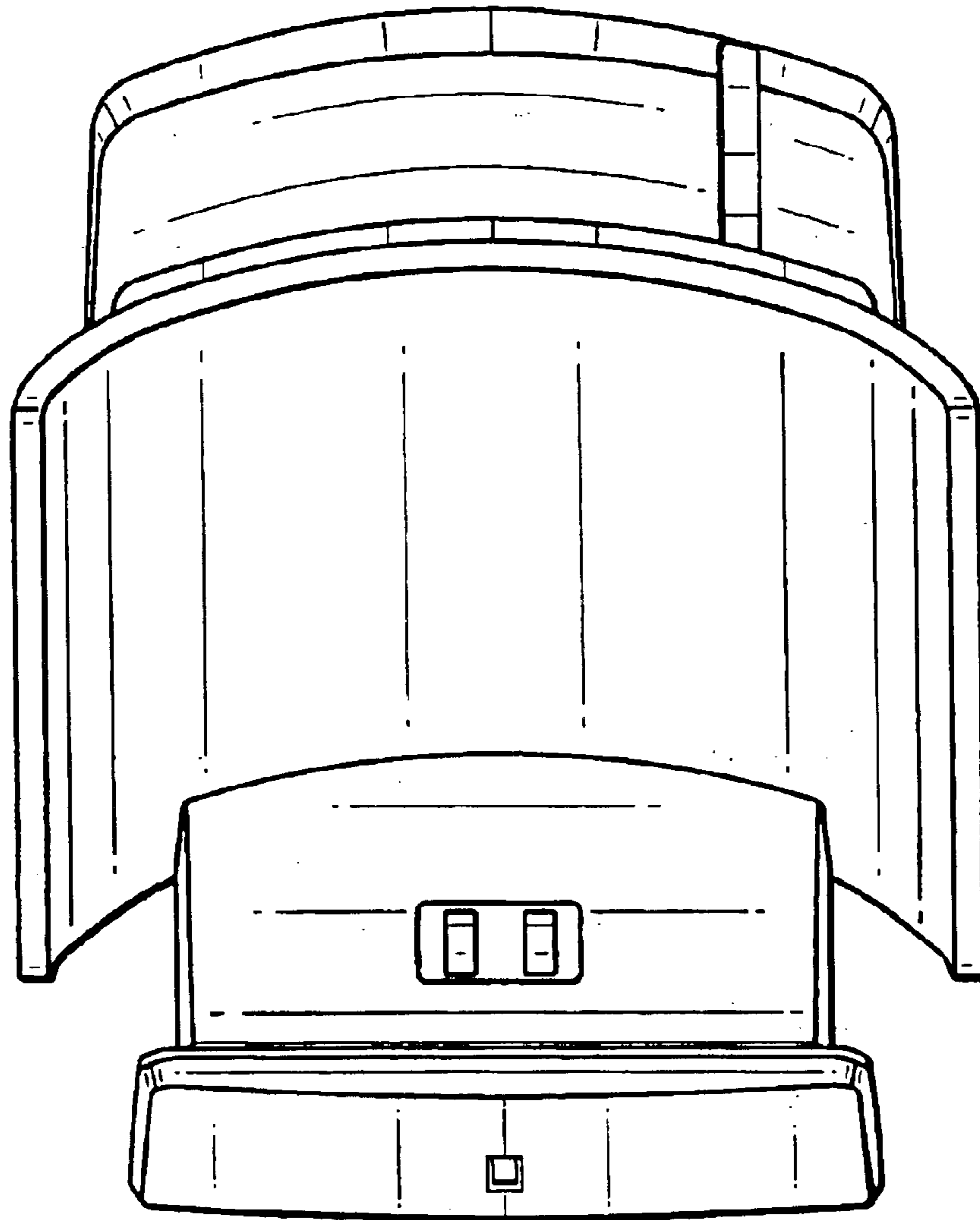


Fig. 6

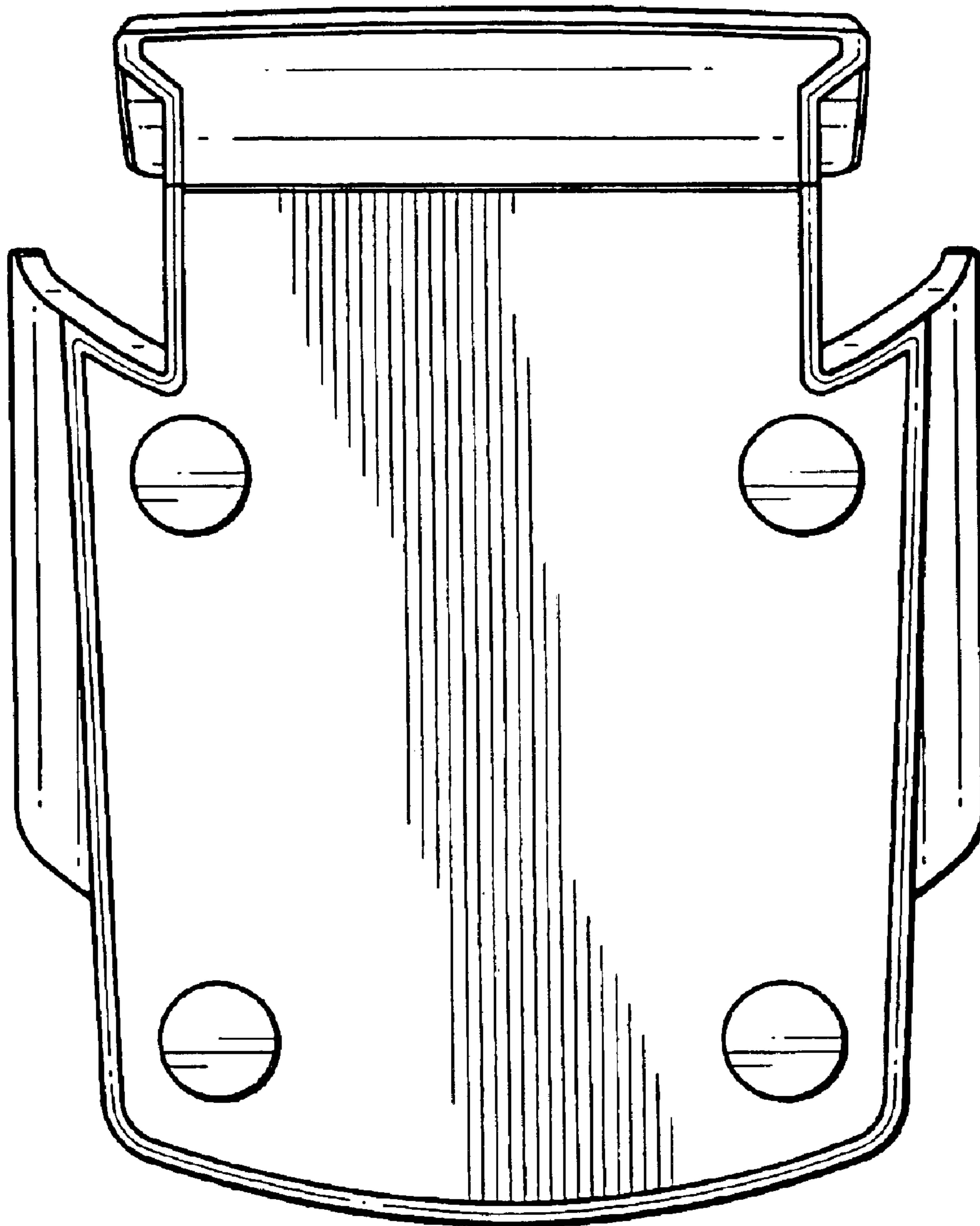


Fig. 7