



US00D507525S

(12) **United States Design Patent**  
**Heun**

(10) **Patent No.:** **US D507,525 S**  
(45) **Date of Patent:** **\*\* Jul. 19, 2005**

(54) **BATTERY CHARGER**

(75) **Inventor:** **Ping Hay Heun, Aberdeen (HK)**

(73) **Assignee:** **Choon Nang Electrical Appliance Mfy., Ltd., Hong Kong (CN)**

(\*\*) **Term:** **14 Years**

(21) **Appl. No.:** **29/209,080**

(22) **Filed:** **Jul. 9, 2004**

(30) **Foreign Application Priority Data**

Jun. 10, 2004 (EM) ..... 000187406

(51) **LOC (8) Cl.** ..... **13-02**

(52) **U.S. Cl.** ..... **D13/107**

(58) **Field of Search** ..... D13/107-110,  
D13/118, 184; D14/251, 253, 432, 434;  
D16/219, 237, 242; 320/107-115

(56) **References Cited**

**U.S. PATENT DOCUMENTS**

D278,426 S	*	4/1985	Lanci et al.	.....	D13/107
D298,119 S	*	10/1988	Richards et al.	.....	D13/108
D298,230 S	*	10/1988	Lay	.....	D13/107
D349,485 S	*	8/1994	Richards et al.	.....	D13/107
D367,651 S	*	3/1996	Hellier et al.	.....	D14/149

5,742,149 A	*	4/1998	Simpson	.....	320/113
5,780,991 A	*	7/1998	Brake et al.	.....	320/112
6,346,793 B1	*	2/2002	Shibata et al.	.....	320/113
D460,412 S	*	7/2002	Nawrozki	.....	D13/107
D472,875 S	*	4/2003	Garvis et al.	.....	D13/107
D487,570 S	*	3/2004	Ito et al.	.....	D13/107
2003/0178968 A1	*	9/2003	Sakakibara et al.	.....	320/110
2004/0135542 A1	*	7/2004	Ito	.....	320/107

\* cited by examiner

*Primary Examiner*—Alan P. Douglas

*Assistant Examiner*—Rosemary Tarca

(74) *Attorney, Agent, or Firm*—Alix, Yale & Ristas, LLP

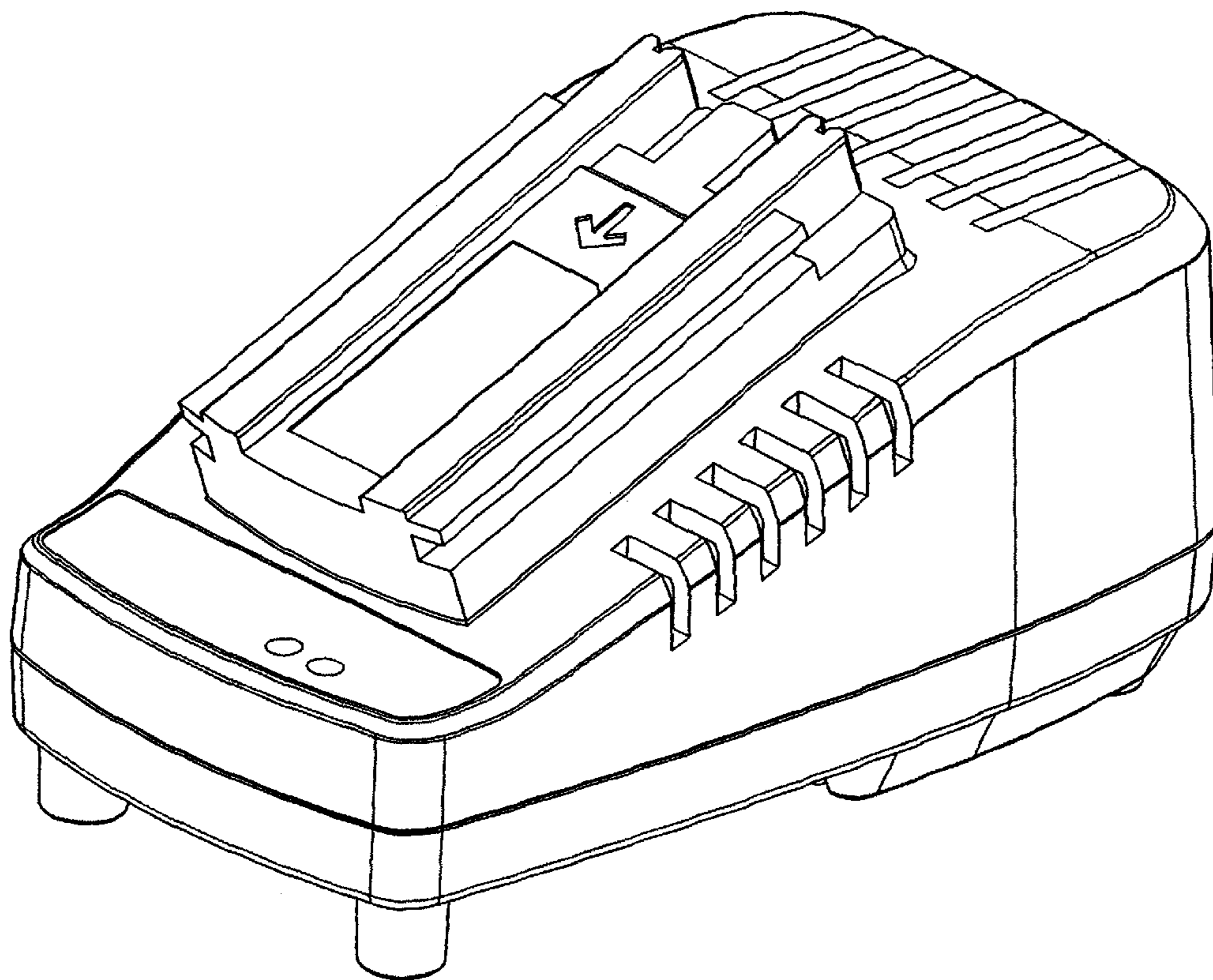
(57) **CLAIM**

The ornamental design for a battery charger, as shown and described.

**DESCRIPTION**

FIG. 1 is a front, right side and top perspective view of a battery charger showing my new design; FIG. 2 is a rear, right side and top perspective view thereof; FIG. 3 is a left side elevational view thereof; FIG. 4 is a front side elevational view thereof; FIG. 5 is a rear side elevational view thereof; FIG. 6 is a top plan view thereof; and, FIG. 7 is a bottom plan view thereof.

**1 Claim, 6 Drawing Sheets**



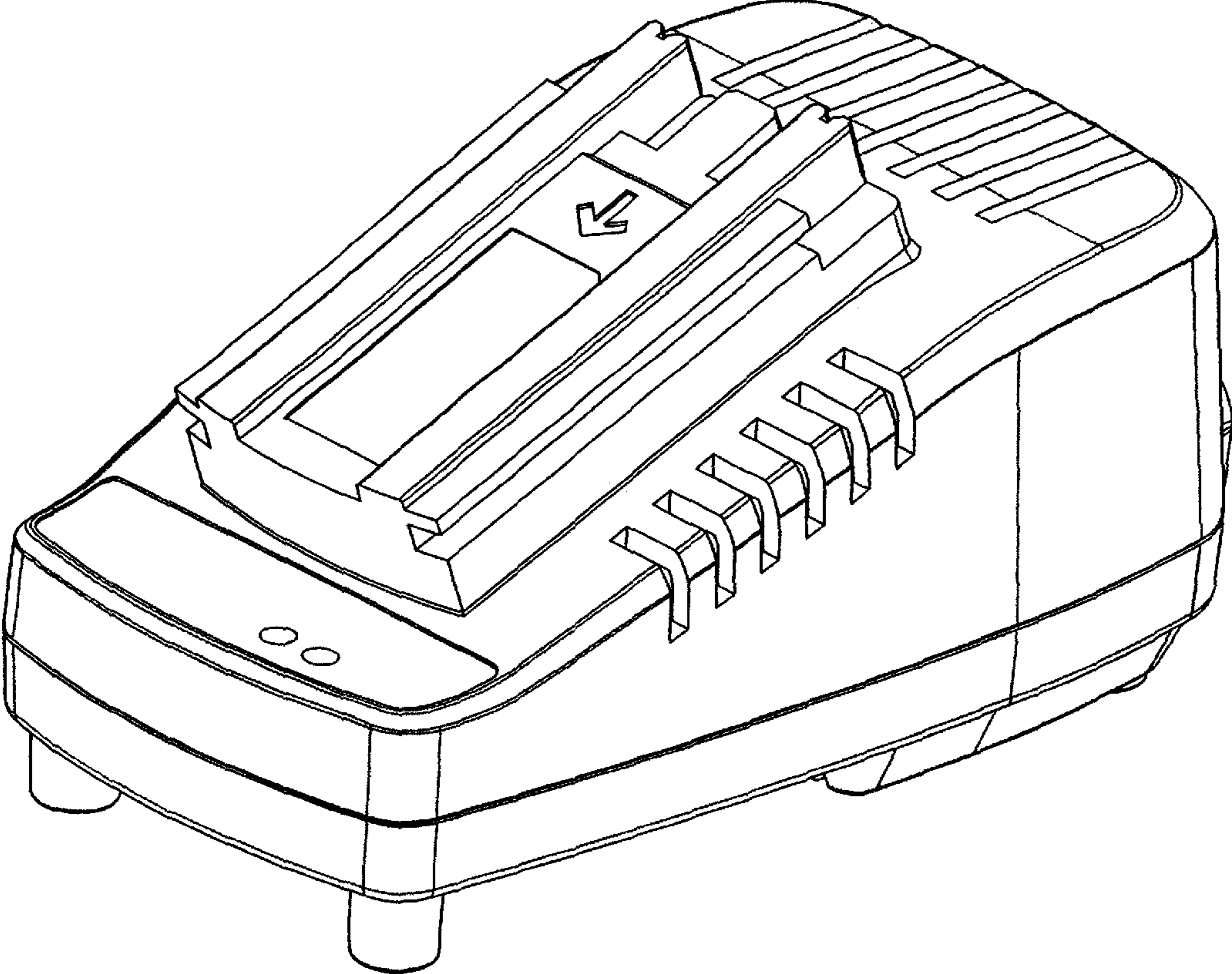


FIG. 1

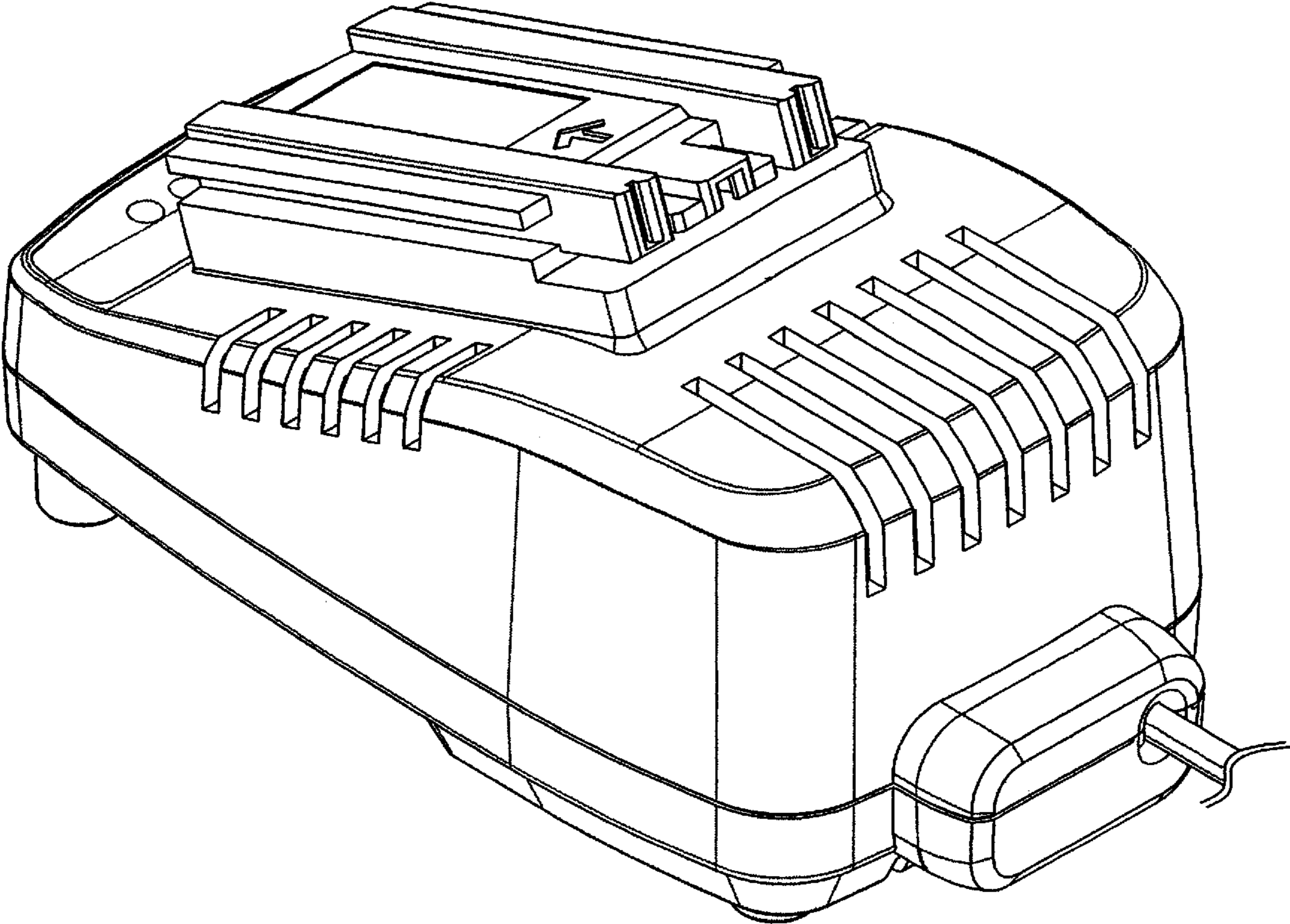


FIG. 2

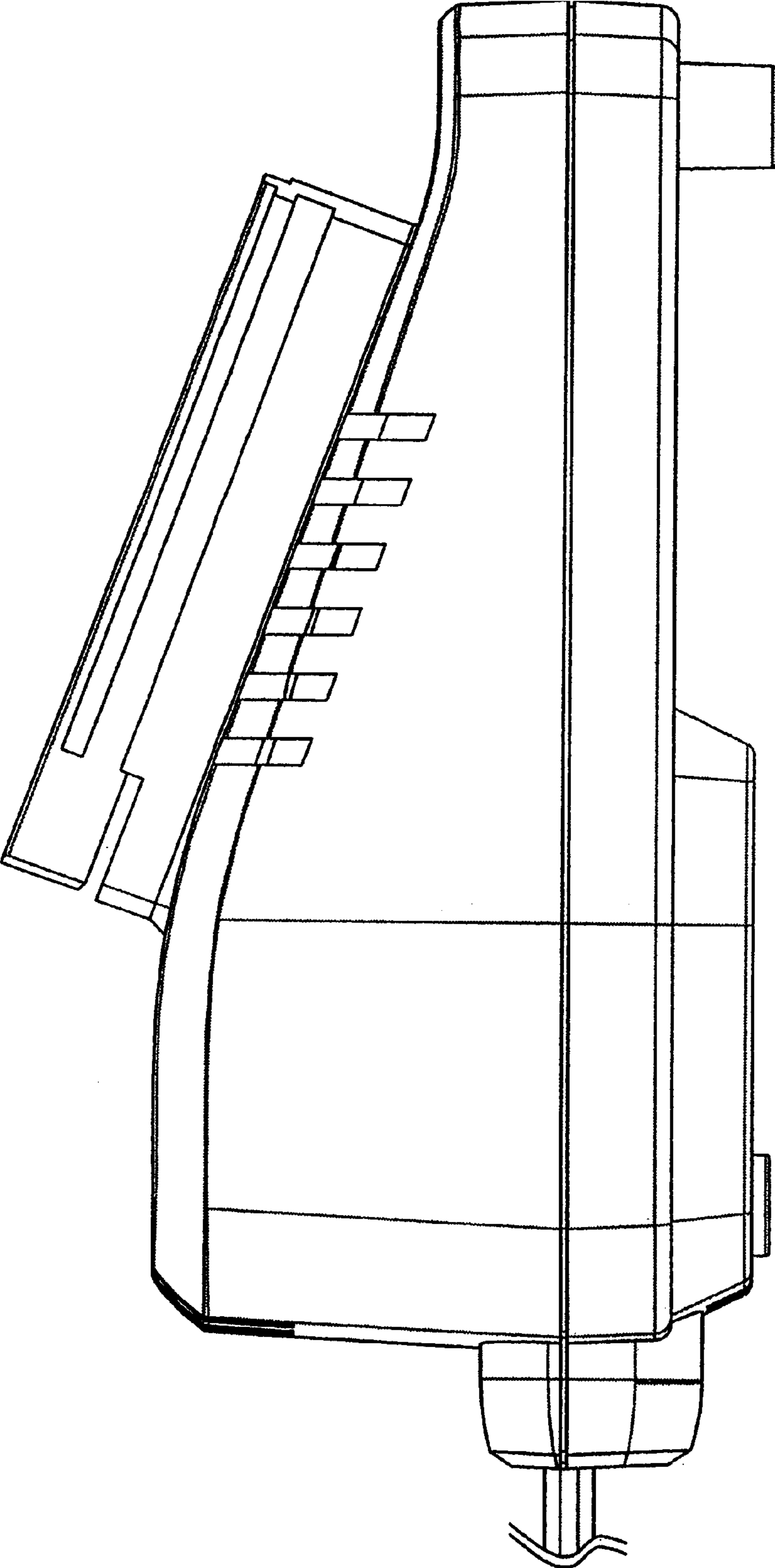


FIG. 3

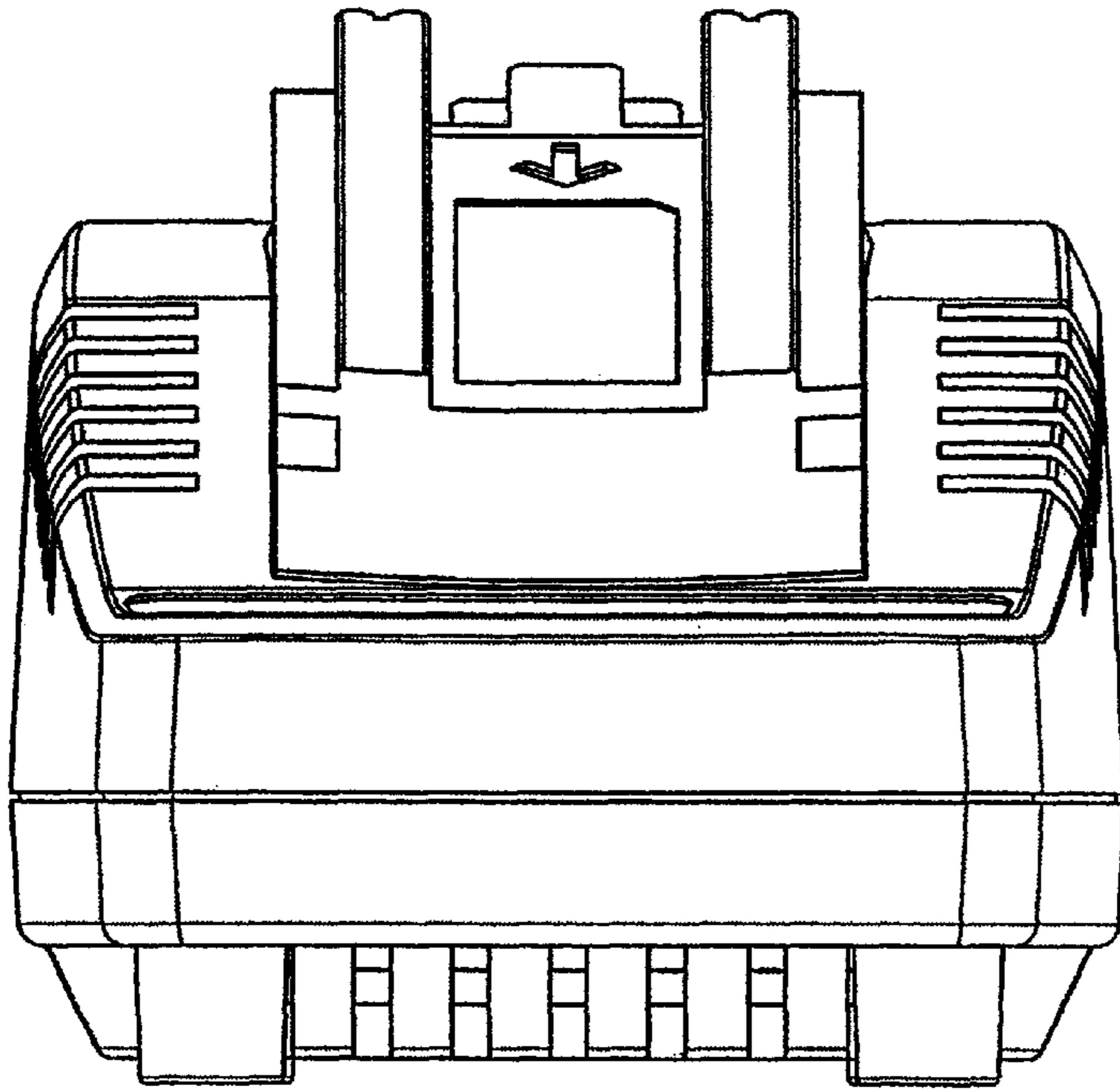


FIG. 4

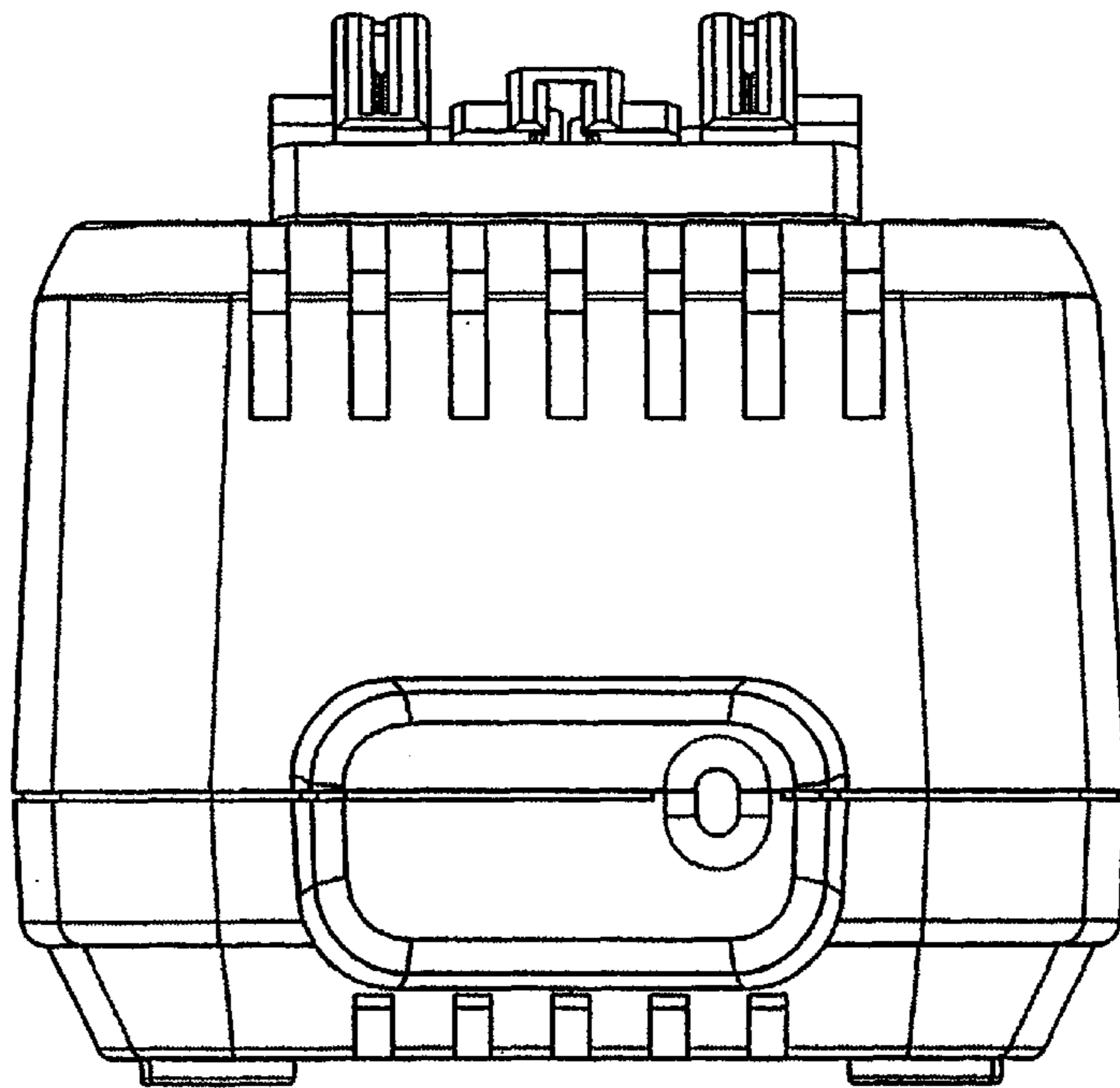


FIG. 5

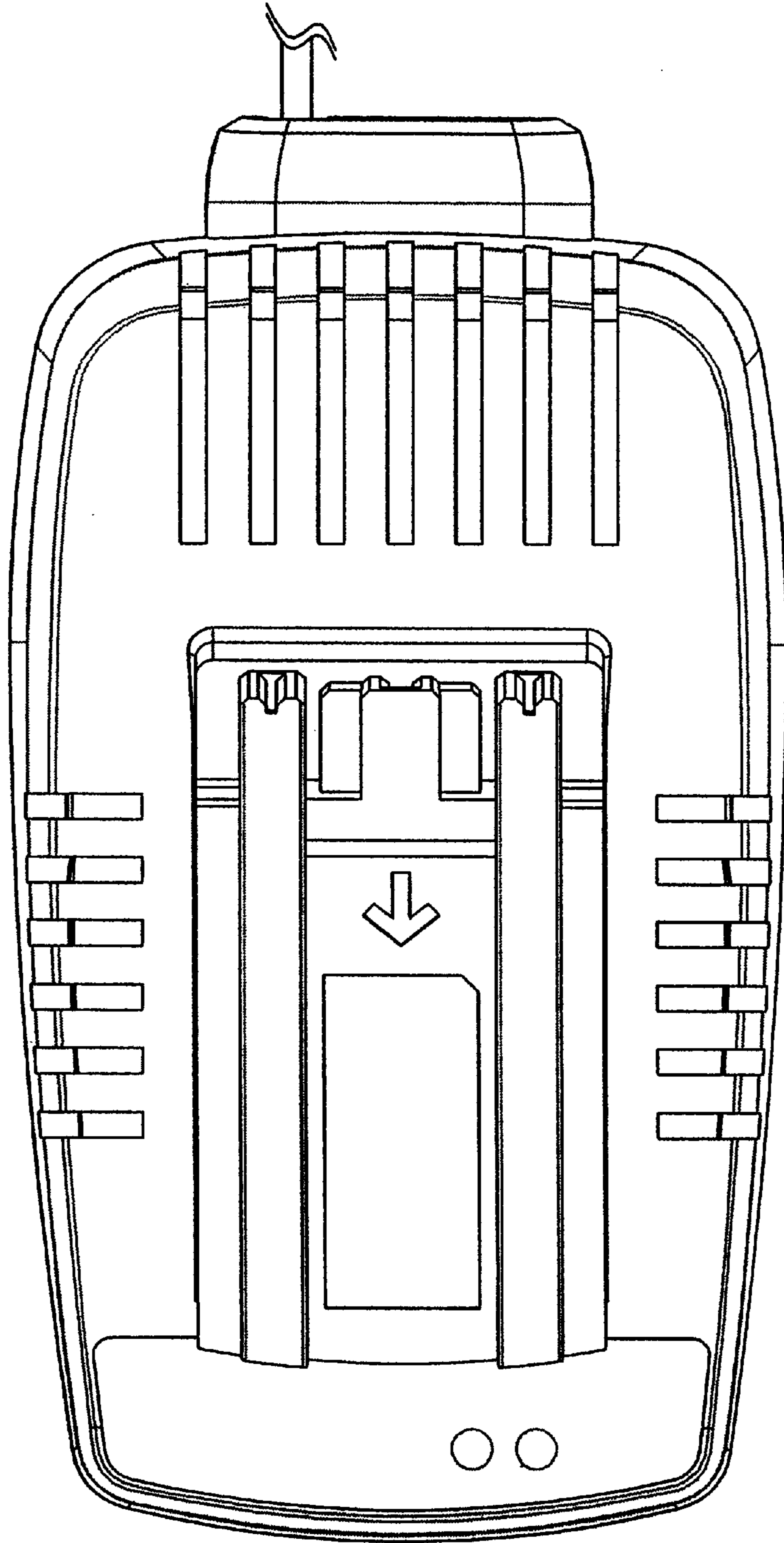


FIG. 6

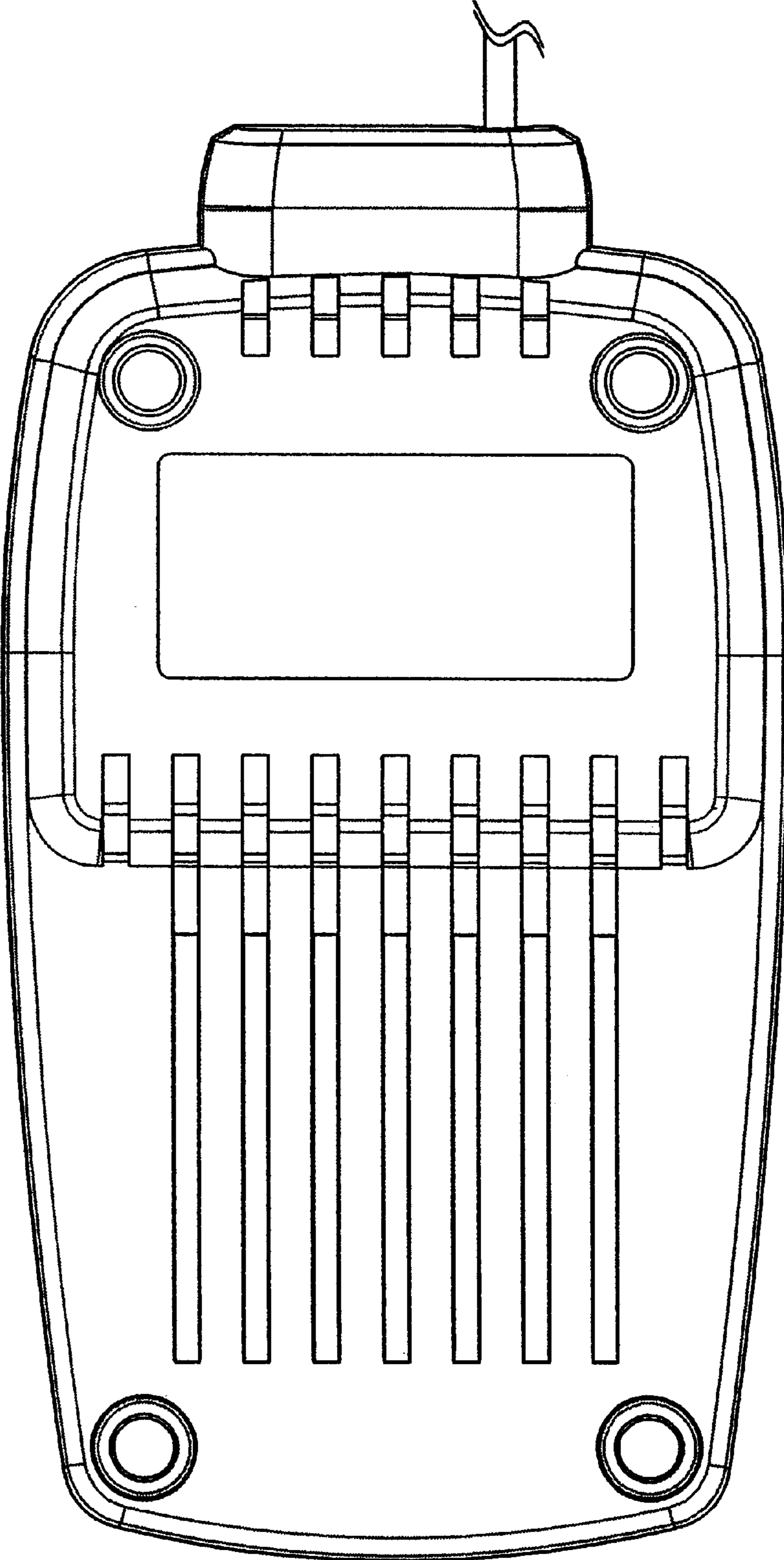


FIG. 7