

US00D507523S

(12) **United States Design Patent** (10) **Patent No.:** **US D507,523 S**  
**Resch et al.** (45) **Date of Patent:** **\*\* Jul. 19, 2005**

(54) **PORTION OF BATTERY**

(75) Inventors: **Øivind Resch**, Bekkestua (NO);  
**Michael Raberg**, Oslo (NO); **Tore Lervik**, Sellebakk (NO); **Farshad Asherian**, Canoga Park, CA (US)

(73) Assignee: **Jumpit AS**, Lysaker (NO)

(\*\*) Term: **14 Years**

(21) Appl. No.: **29/201,925**

(22) Filed: **Mar. 23, 2004**

**Related U.S. Application Data**

(62) Division of application No. 29/184,019, filed on Aug. 27, 2003, now Pat. No. Des. 492,649.

(51) **LOC (8) Cl.** ..... **13-02**

(52) **U.S. Cl.** ..... **D13/103**

(58) **Field of Search** ..... D13/103, 106,  
D13/110, 119, 184; D14/188; D9/435, 529;  
D27/144, 154; 429/96-100, 163, 176

(56) **References Cited**

**U.S. PATENT DOCUMENTS**

- D130,616 S 12/1941 Sears
- D250,528 S \* 12/1978 Kaye ..... D13/103
- D274,700 S \* 7/1984 Sun et al. .... D9/435
- D307,886 S 5/1990 Ching, Jr. et al.
- D317,606 S 6/1991 Irie et al.
- 5,396,162 A 3/1995 Brilmyer
- D360,185 S 7/1995 Kobayashi
- D367,640 S 3/1996 Nagele et al.
- D368,891 S \* 4/1996 Te Kun ..... D13/107
- D373,993 S \* 9/1996 Kettula ..... D13/107
- D378,366 S 3/1997 Nagele et al.
- 5,733,677 A 3/1998 Golovin et al.
- D393,857 S 4/1998 Park
- D394,841 S 6/1998 Hashimoto et al.
- 5,786,106 A 7/1998 Armani
- D398,899 S \* 9/1998 Chaco ..... D13/103
- D399,819 S \* 10/1998 Iida ..... D13/103
- D400,496 S \* 11/1998 Barber et al. .... D13/103

- D400,497 S 11/1998 Sabag et al.
- D406,098 S 2/1999 Walter
- D409,974 S 5/1999 Sasago
- D414,158 S 9/1999 Frye et al.
- D414,159 S 9/1999 Deslyper et al.
- D418,107 S 12/1999 Murray et al.
- D419,131 S 1/2000 Andrews et al.
- D423,449 S 4/2000 Naskali
- D429,210 S 8/2000 Chintala et al.
- 6,110,618 A \* 8/2000 Vacheron et al. .... 429/100
- D435,041 S 12/2000 Coker et al.
- D437,287 S 2/2001 Hamada et al.
- 6,184,654 B1 2/2001 Bachner, III
- D439,877 S 4/2001 Vacheron et al.
- D444,448 S \* 7/2001 Robinson et al. .... D13/103
- 6,268,709 B1 7/2001 Lee et al.
- D447,468 S 9/2001 Nakabara et al.
- D447,729 S 9/2001 Song et al.
- D447,730 S 9/2001 Johansson
- D450,294 S 11/2001 Arbisi et al.
- D456,001 S 4/2002 Arbisi et al.
- D456,771 S \* 5/2002 Bloemen ..... D13/110
- D459,323 S 6/2002 Jeong
- D459,710 S 7/2002 Jeong
- D459,711 S 7/2002 Lee
- D460,041 S \* 7/2002 Tsay et al. .... D13/107
- D460,943 S \* 7/2002 Tsay et al. .... D13/107

(Continued)

*Primary Examiner*—M. H. Tung  
*Assistant Examiner*—Rosemary Tarca  
(74) *Attorney, Agent, or Firm*—Marshall A. Lerner, Esq.;  
Bradford E. Mattes, Esq.; Finn T. Simmens, Esq.

(57) **CLAIM**

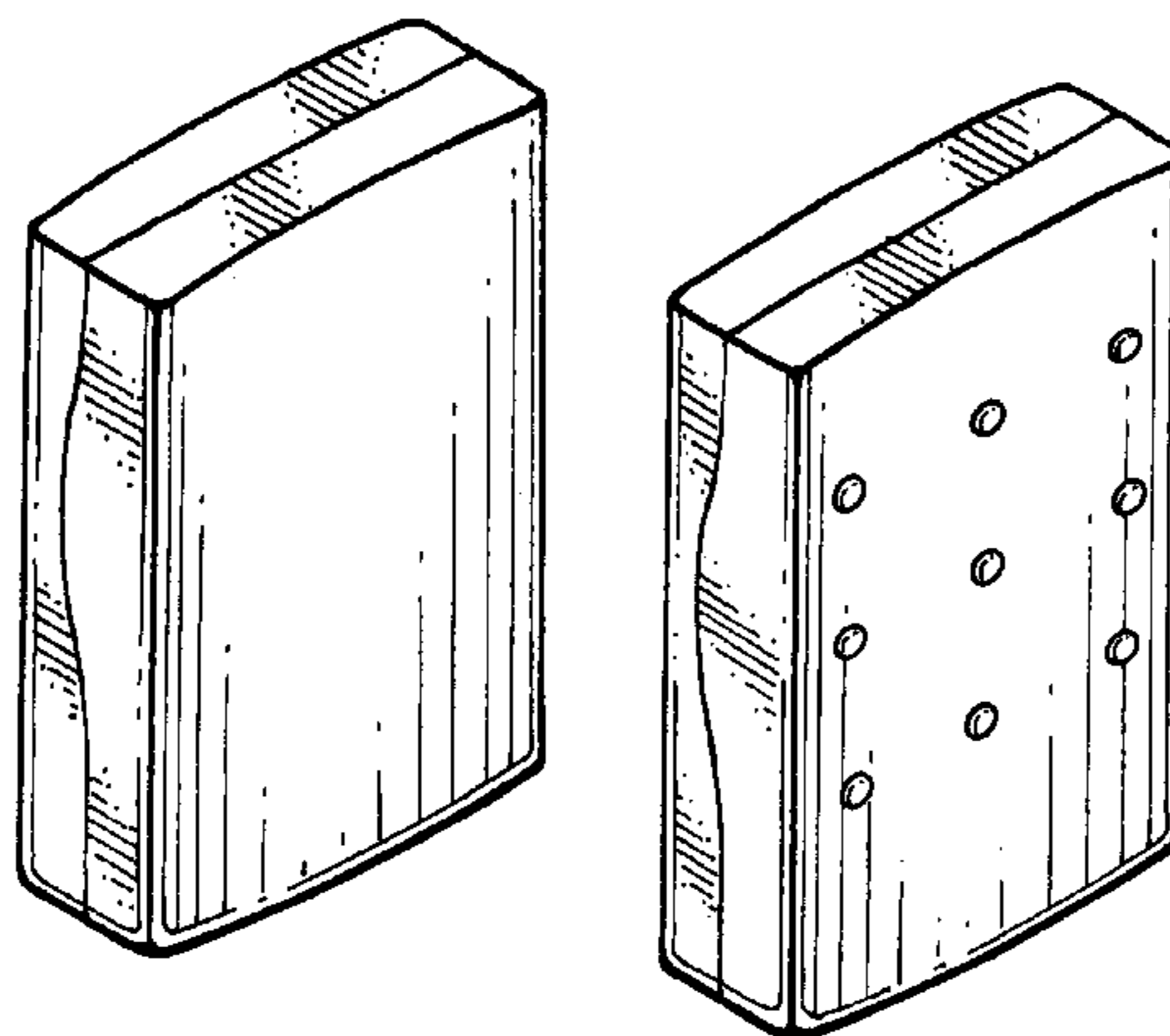
The ornamental design for a portion of battery, as shown and described.

**DESCRIPTION**

FIG. 1 is a perspective view of the preferred embodiment of the portion of battery showing our new design; FIG. 2 is a perspective view of the rear thereof; and, FIG. 3 is a perspective view of a first alternative embodiment thereof.

Broken lines in the figures are for illustrative purposes only and form no part of the claimed design.

**1 Claim, 1 Drawing Sheet**



# US D507,523 S

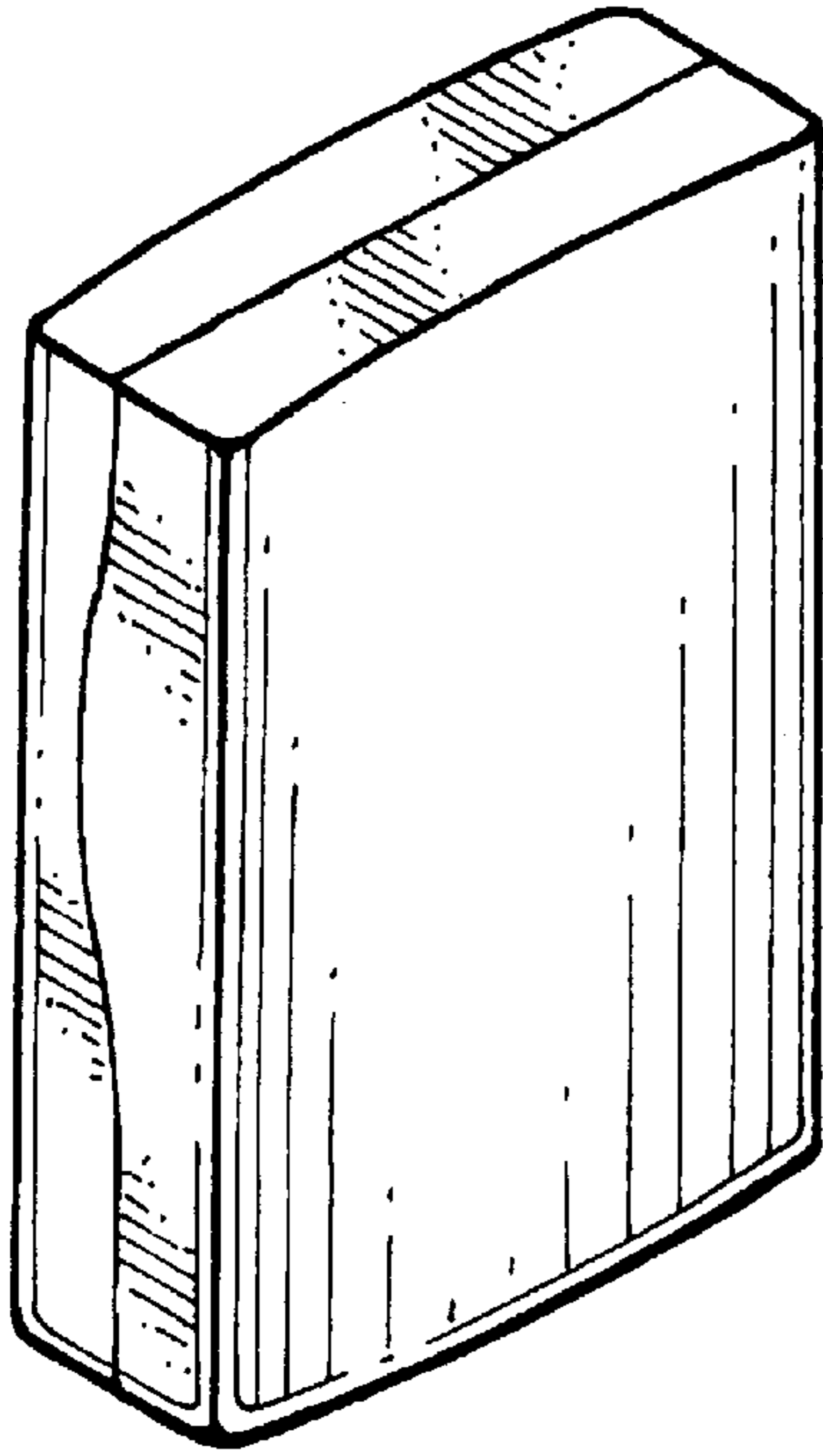
Page 2

---

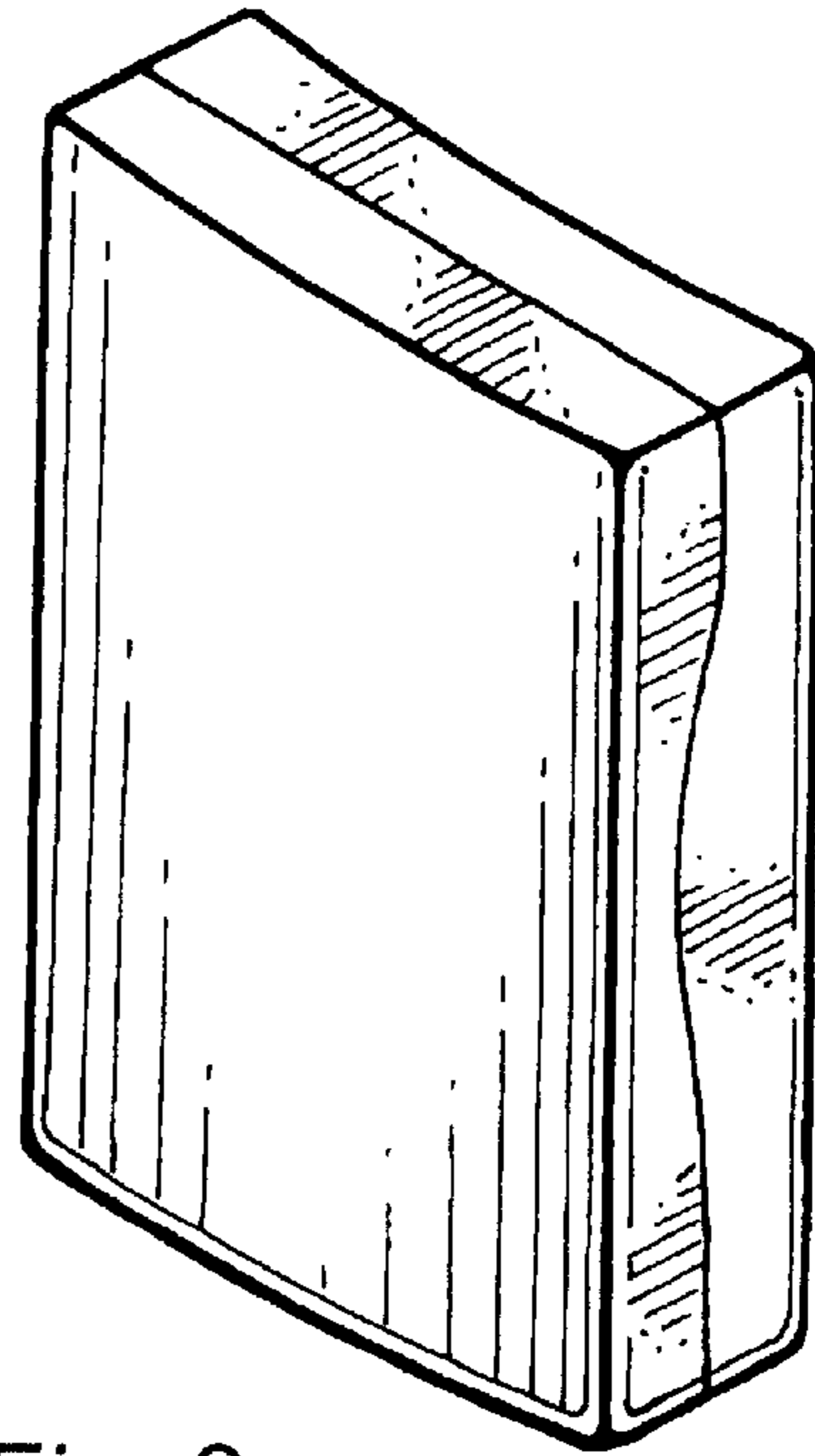
## U.S. PATENT DOCUMENTS

6,492,058 B1	12/2002	Watanabe et al.	D477,295 S	7/2003	Chung	
6,501,246 B2	12/2002	You et al.	D478,866 S	8/2003	Nakai	
D469,415 S	1/2003	Nam	D480,682 S	10/2003	Kawase	
D469,416 S	1/2003	Nam	D481,995 S	11/2003	Yokota	
D469,750 S	2/2003	Nam	D483,013 S	12/2003	Tsukamoto et al.	
6,529,372 B1	3/2003	Ng et al.	D483,722 S	12/2003	Bailey	
D473,186 S	4/2003	Grosfeld et al.	2002/0150815 A1	10/2002	Ehara	
D474,149 S	5/2003	Kawahata et al.	2003/0017390 A1 *	1/2003	Probst et al.	..... 429/176
D476,948 S	7/2003	Mitchell				

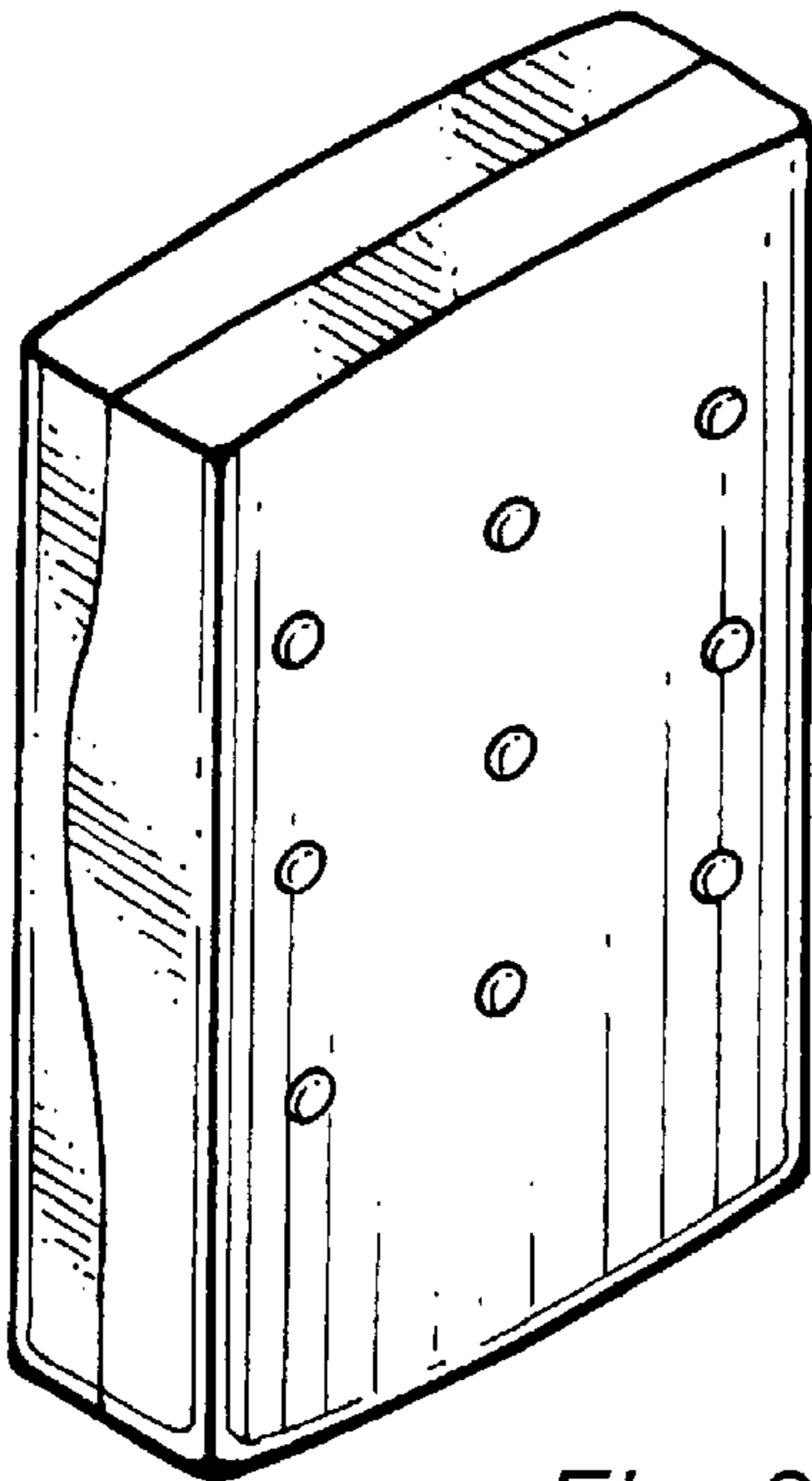
\* cited by examiner



*Fig. 1*



*Fig. 2*



*Fig. 3*