

US00D507518S

(12) **United States Design Patent**  
**Scheu**

(10) **Patent No.:** **US D507,518 S**  
(45) **Date of Patent:** **\*\* Jul. 19, 2005**

(54) **FRONT FACE OF A VEHICLE WHEEL**

(75) **Inventor:** **Armin Scheu, Stuttgart (DE)**

(73) **Assignee:** **DaimlerChrysler AG, Stuttgart (DE)**

(\*\*) **Term:** **14 Years**

(21) **Appl. No.:** **29/207,790**

(22) **Filed:** **Jun. 21, 2004**

(30) **Foreign Application Priority Data**

Dec. 22, 2003 (DE) ..... 4 03 08 058

(51) **LOC (8) Cl.** ..... **12-16**

(52) **U.S. Cl.** ..... **D12/209**

(58) **Field of Search** ..... D12/204-213;  
301/37.101, 64.101, 65

(56) **References Cited**

**U.S. PATENT DOCUMENTS**

- 1,375,372 A \* 4/1921 Forsyth ..... 301/64.101
- D388,046 S \* 12/1997 Roesianto ..... D12/209
- D419,512 S \* 1/2000 Sacco et al. .... D12/209
- D452,209 S \* 12/2001 Chung ..... D12/209

- D453,492 S \* 2/2002 Laengerer ..... D12/209
- D471,500 S \* 3/2003 Kataoka ..... D12/209
- D481,984 S \* 11/2003 Sulahian ..... D12/211

\* cited by examiner

*Primary Examiner*—Stacia Cadmus

(74) *Attorney, Agent, or Firm*—Crowell & Moring LLP

(57) **CLAIM**

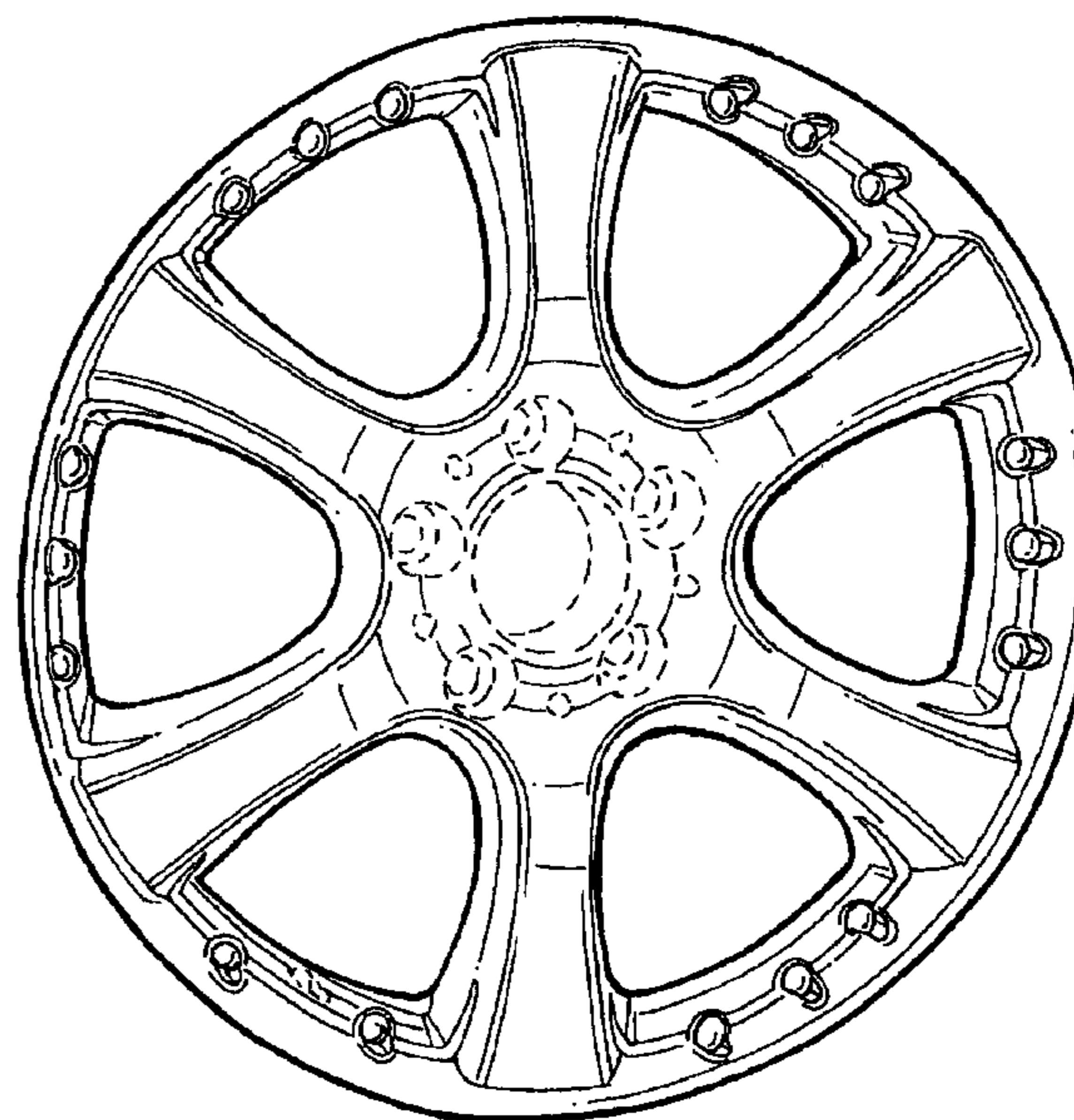
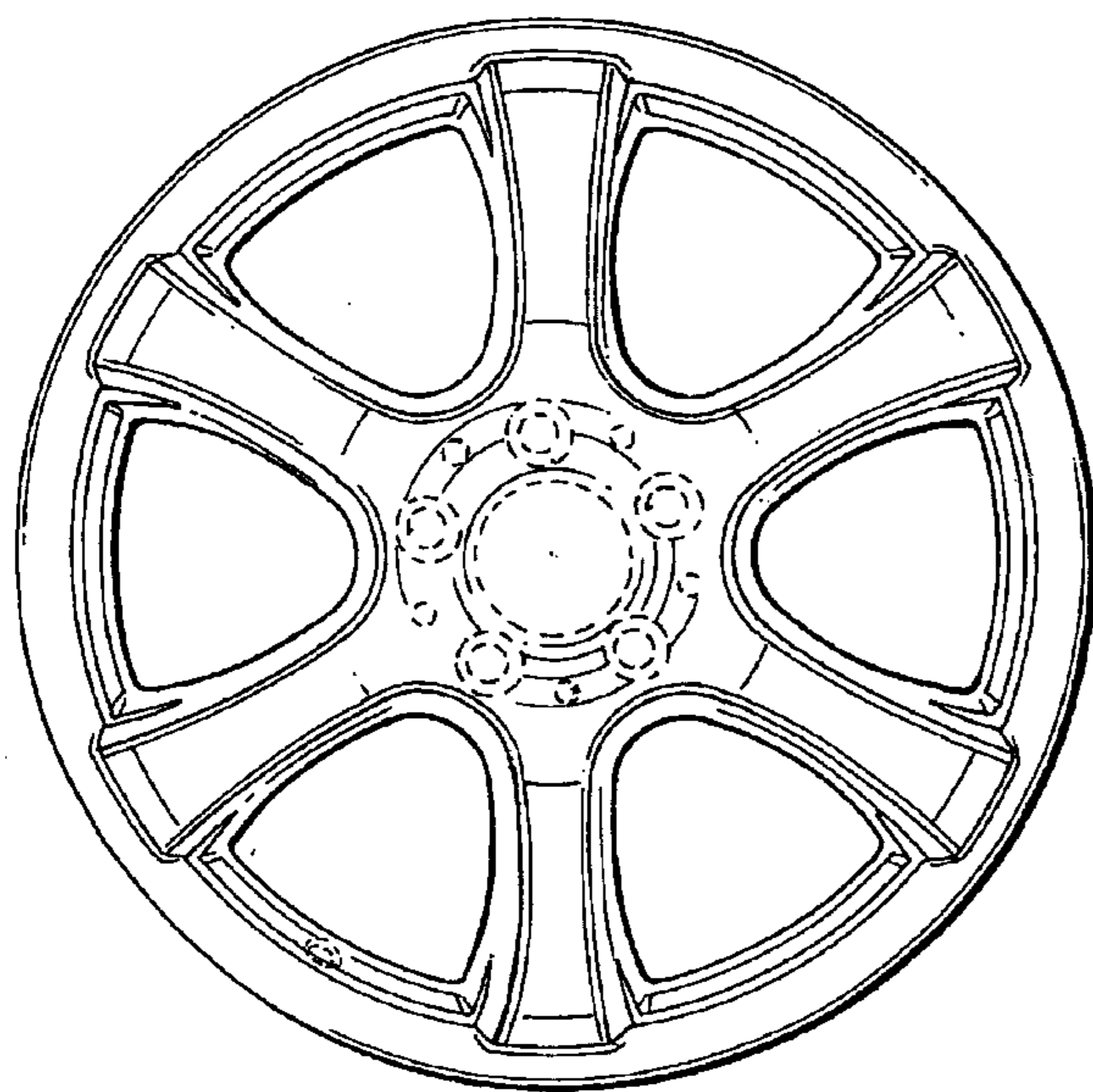
The ornamental design for a front face of a vehicle wheel, as shown and described.

**DESCRIPTION**

FIG. 1 is a front view of a first embodiment of a front face of a vehicle wheel according to my novel design; FIG. 2 is a perspective view of the first embodiment of the front face of a vehicle wheel according to my novel design; FIG. 3 is a front view of a second embodiment of the front face of a vehicle wheel according to my novel design; and, FIG. 4 is a perspective view of the second embodiment of the front face of a vehicle wheel according to my novel design.

The broken lines are for illustrative purposes only and form no part of the claimed design.

**1 Claim, 2 Drawing Sheets**



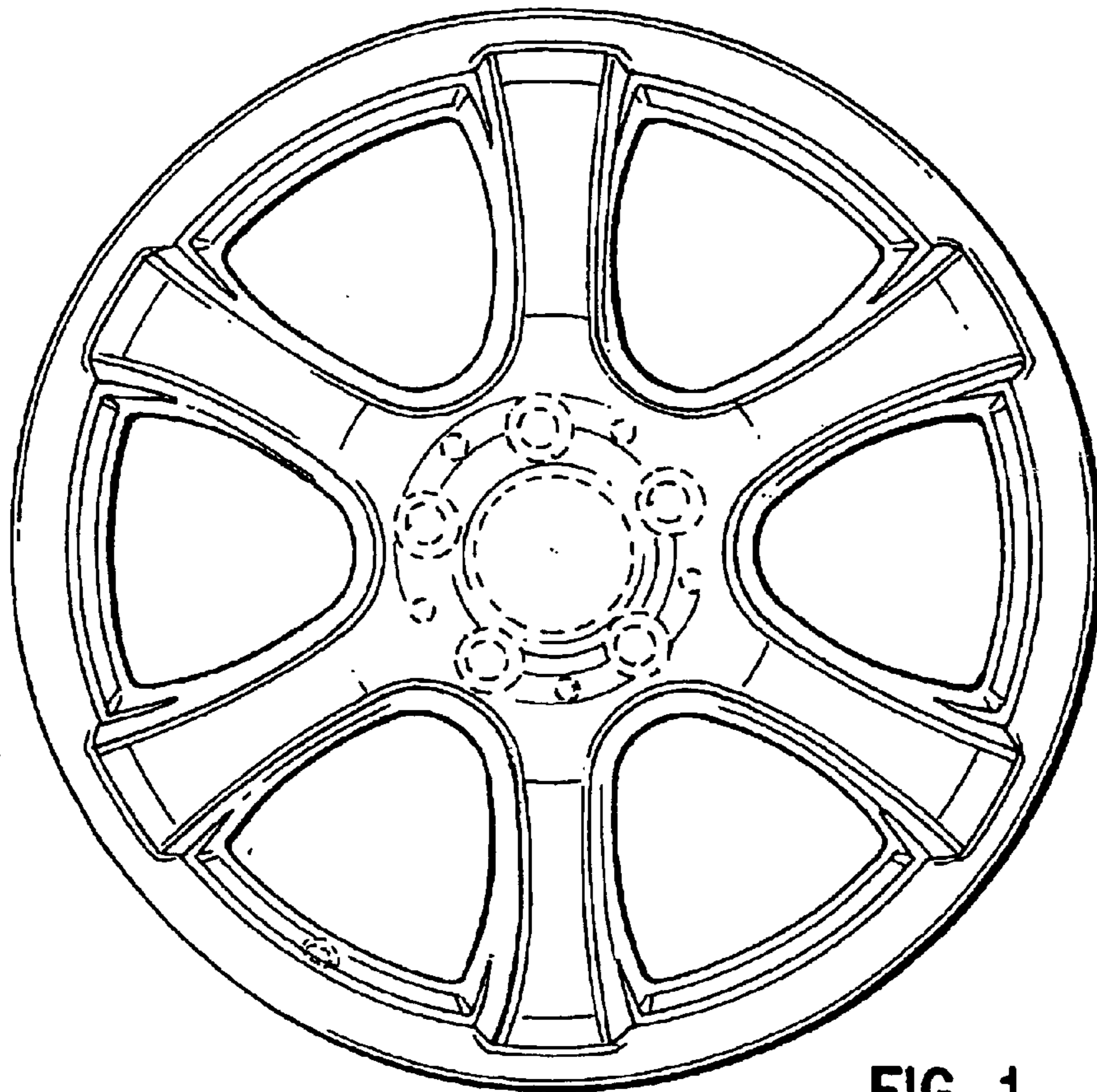


FIG. 1

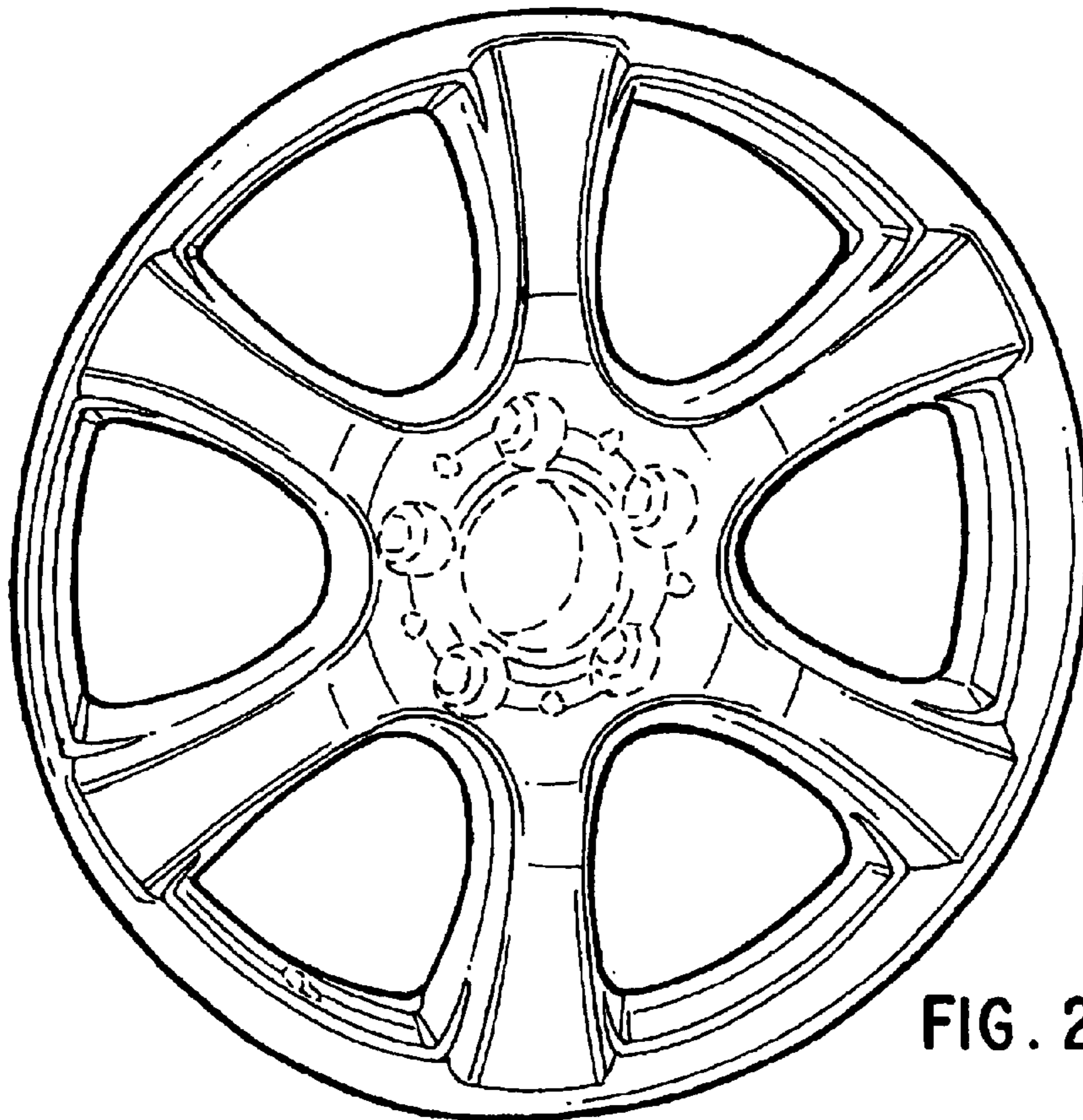


FIG. 2



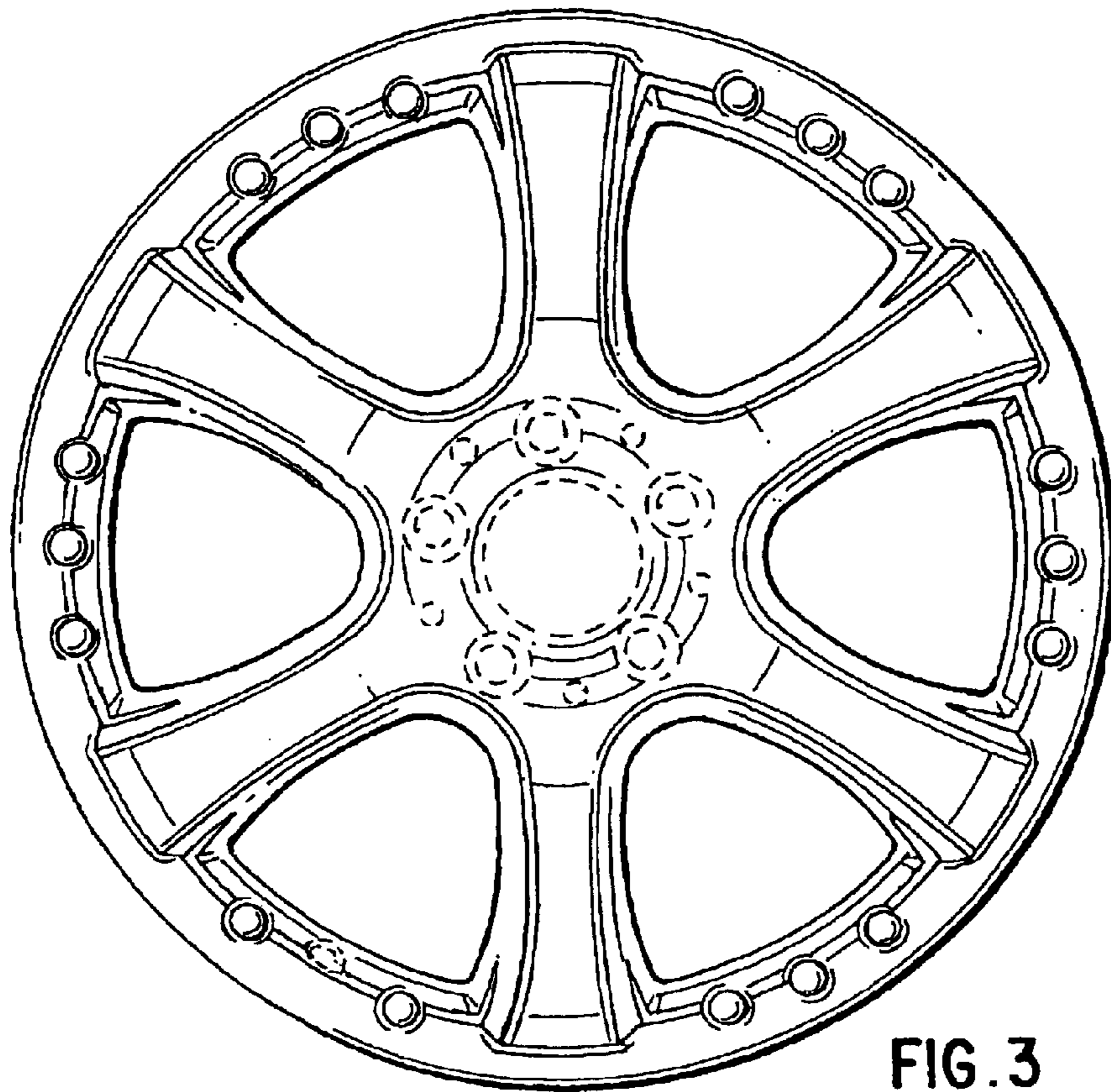


FIG. 3

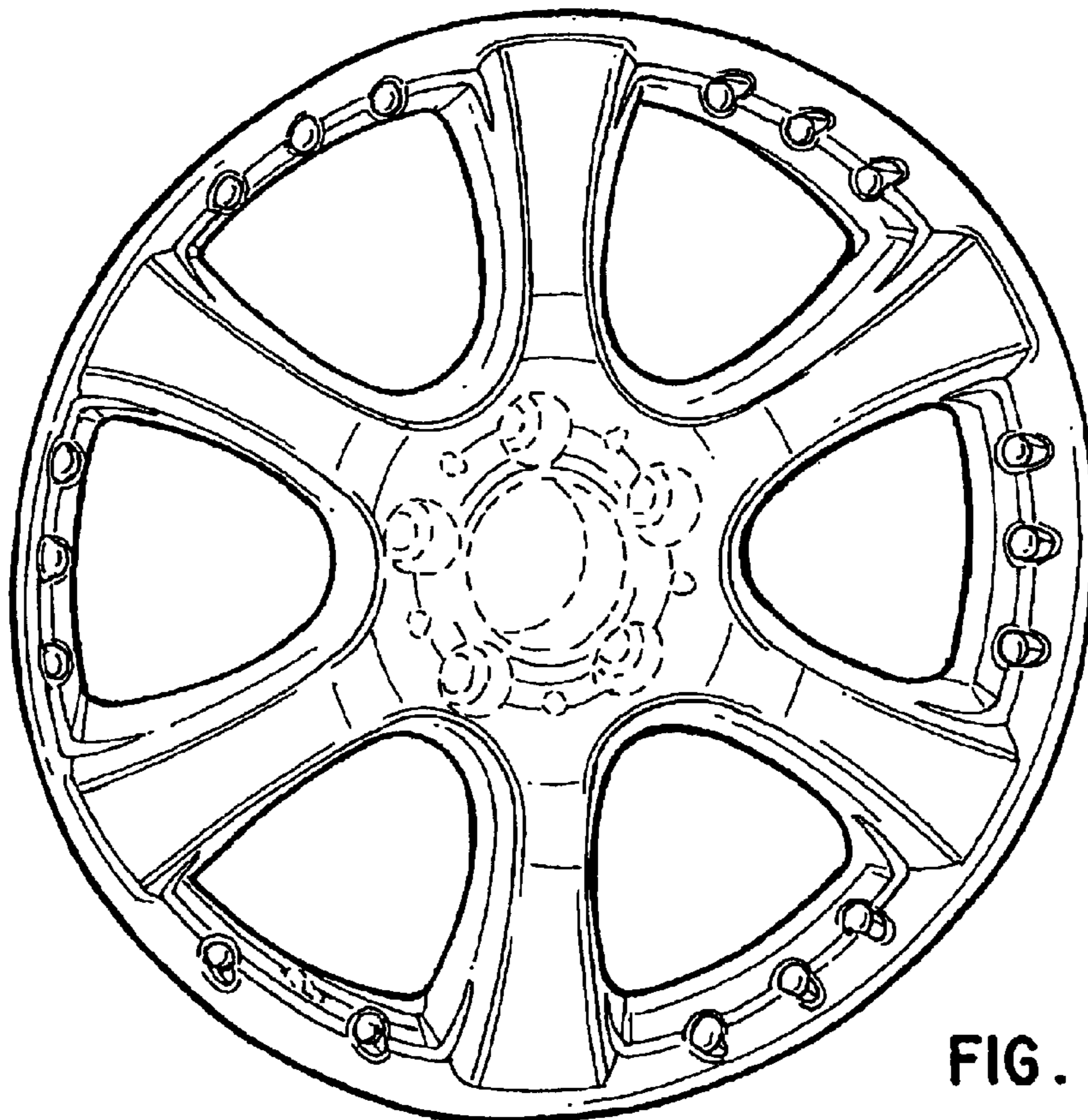


FIG. 4