

US00D507512S

(12) **United States Design Patent**
Cantley

(10) **Patent No.:** **US D507,512 S**
(45) **Date of Patent:** **** Jul. 19, 2005**

(54) **CHAINED KICKER PEDAL**

D355,871 S * 2/1995 Schermeister D12/125

(75) **Inventor:** **Keith Earl Cantley**, Surfside Beach,
SC (US)

* cited by examiner

(73) **Assignee:** **Keith E. Cantley**, Surfside Beach, SC
(US)

Primary Examiner—Alan P. Douglas
Assistant Examiner—Linda Brooks

(**) **Term:** **14 Years**

(57) **CLAIM**

The ornamental design for a chained kicker pedal, as shown.

(21) **Appl. No.:** **29/169,508**

(22) **Filed:** **Oct. 21, 2002**

DESCRIPTION

(51) **LOC (8) Cl.** **12-11**

FIG. 1 is a top view of a chained kicker pedal showing my new design;

(52) **U.S. Cl.** **D12/125**

FIG. 2 is a right side view thereof;

(58) **Field of Search** D12/110, 114,

FIG. 3 is a left side view thereof;

D12/122, 125; 74/473.16, 478, 564, 561,
594.1, 594.4–594.7, 512; 280/288.4, 291;
296/75; 180/219; 123/185.3–185.6

FIG. 4 is a bottom view thereof;

FIG. 5 is a front view thereof; and,

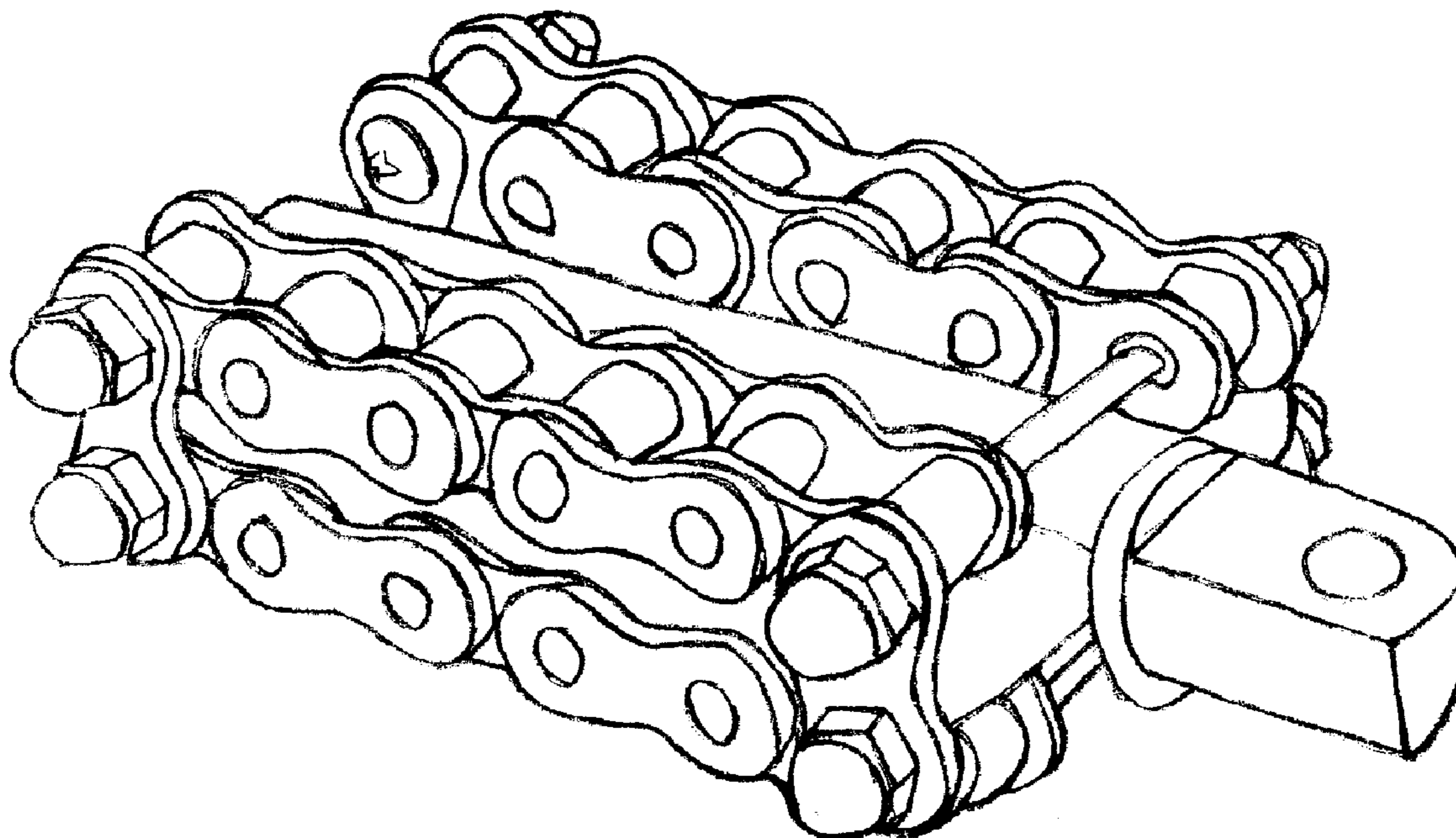
FIG. 6 is a back view thereof.

(56) **References Cited**

U.S. PATENT DOCUMENTS

D284,561 S * 7/1986 Pawsat et al. D12/125

1 Claim, 6 Drawing Sheets



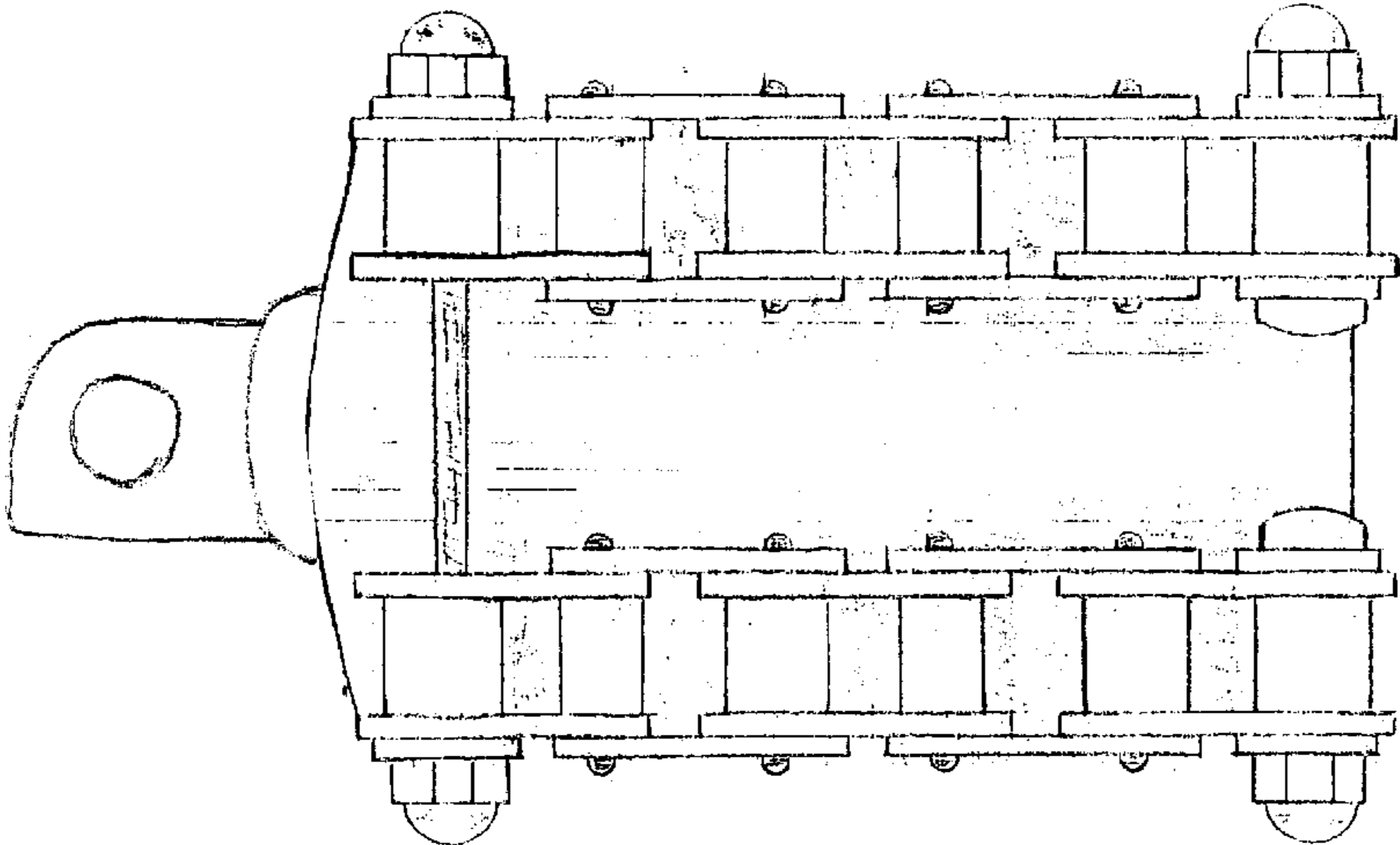


Fig. 1

Fig. 2

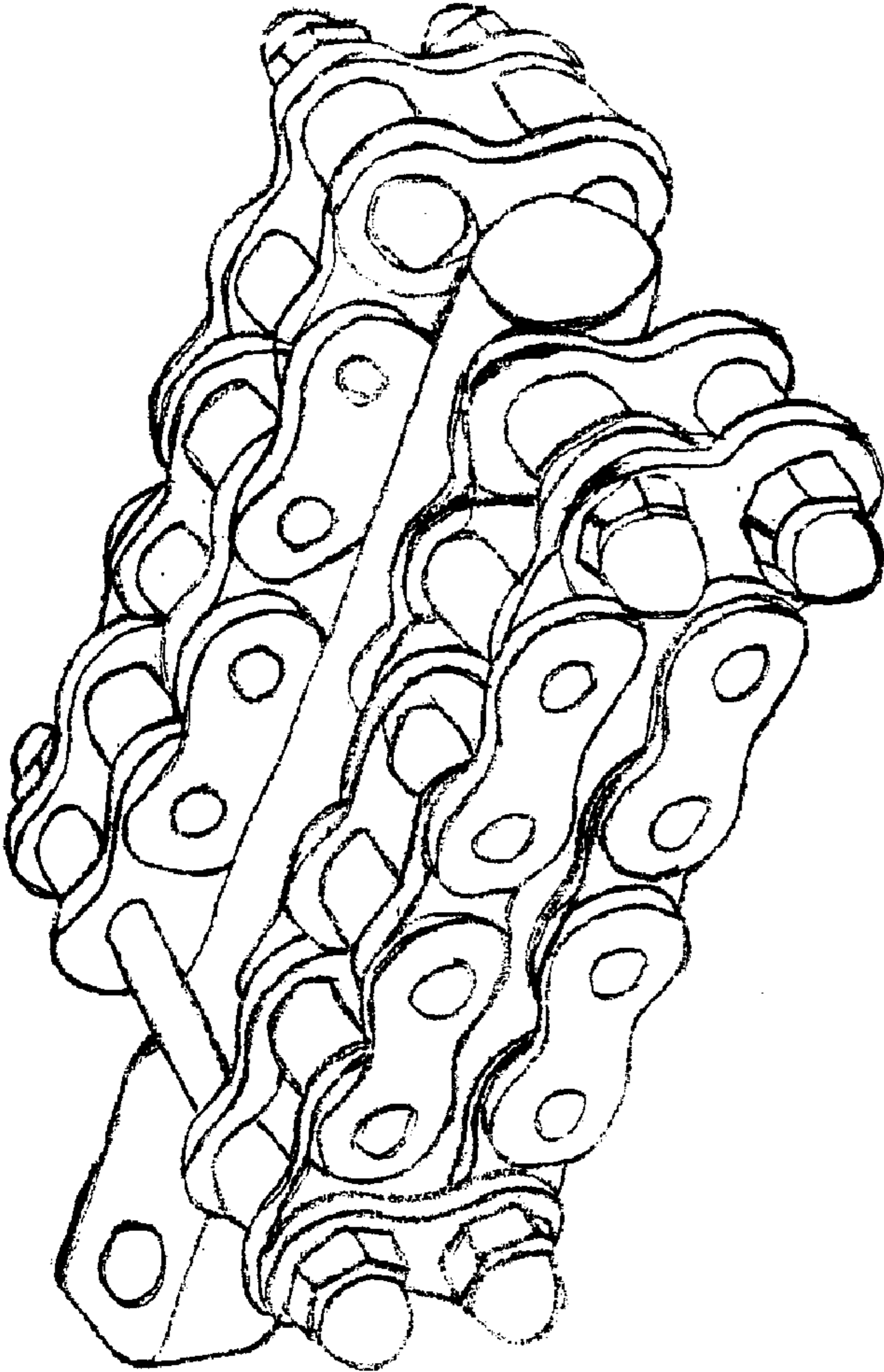
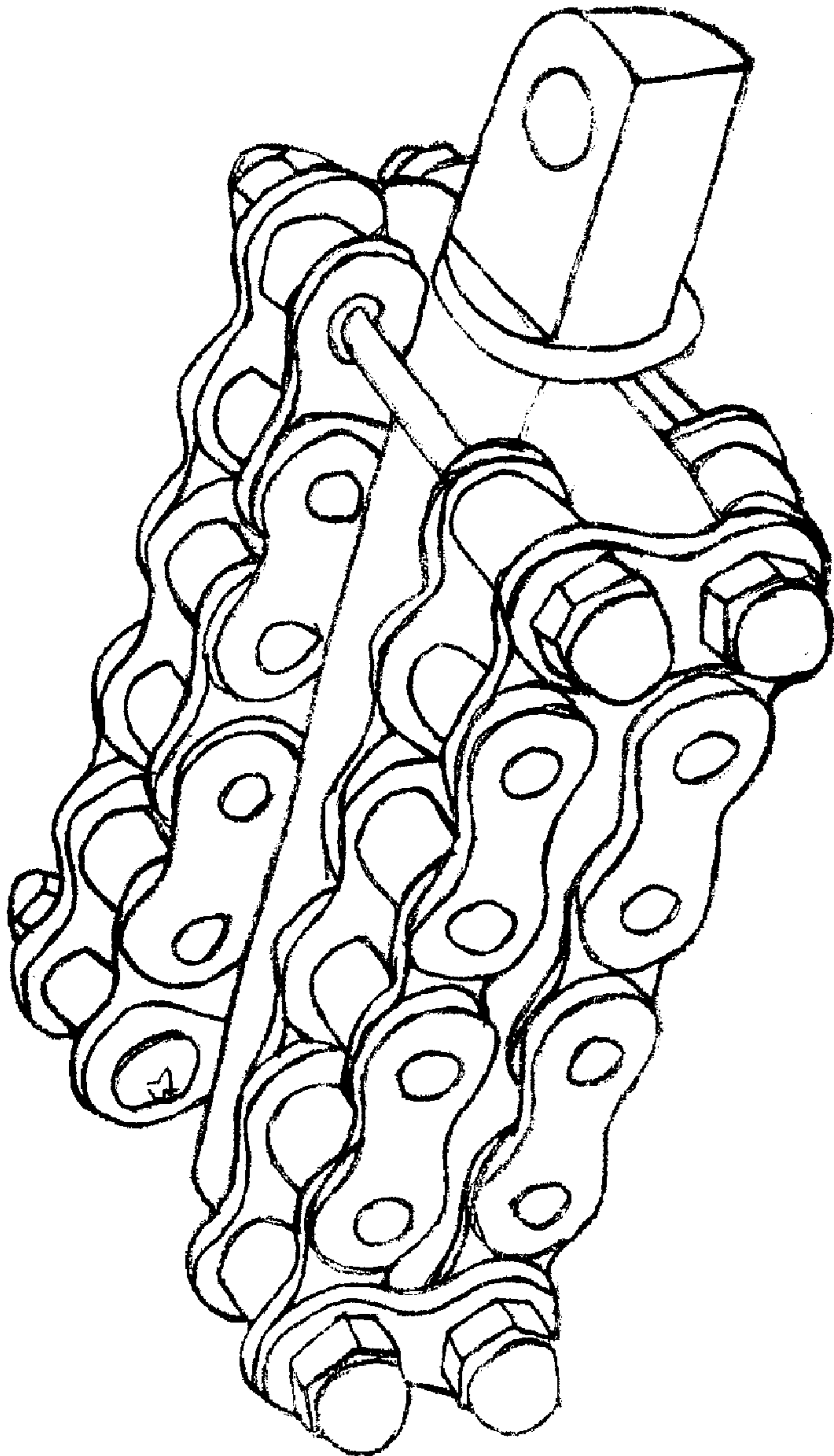


Fig. 3



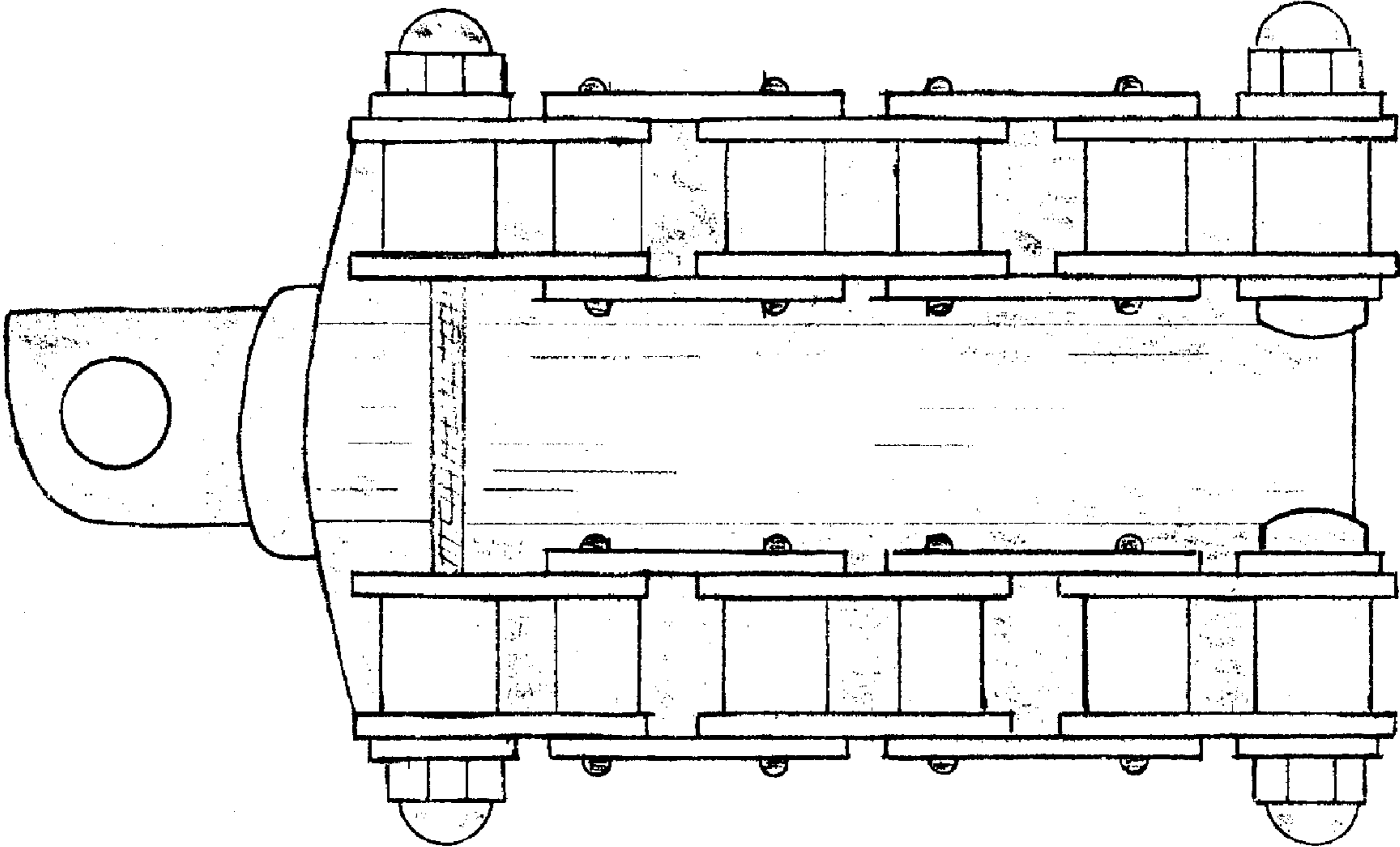


Fig. 4

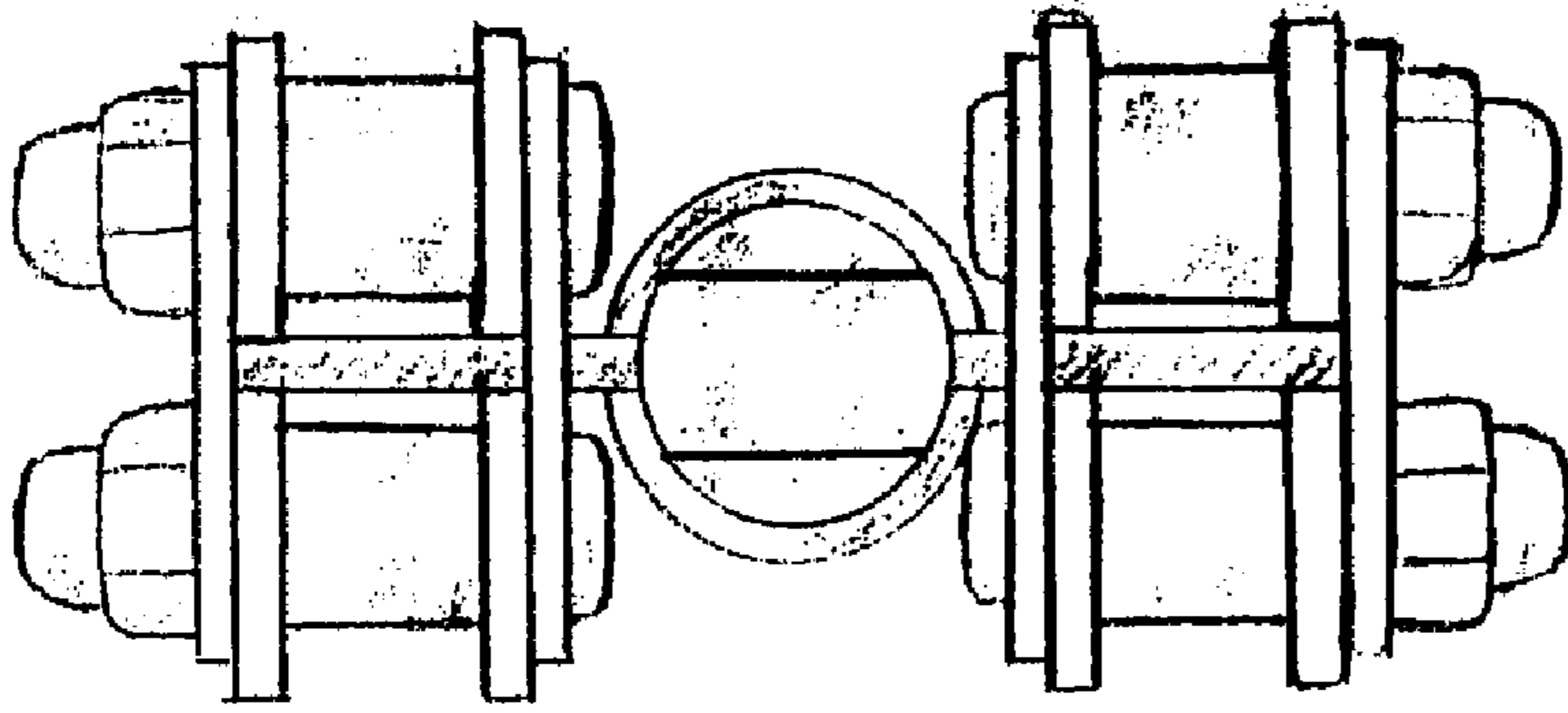


Fig. 5

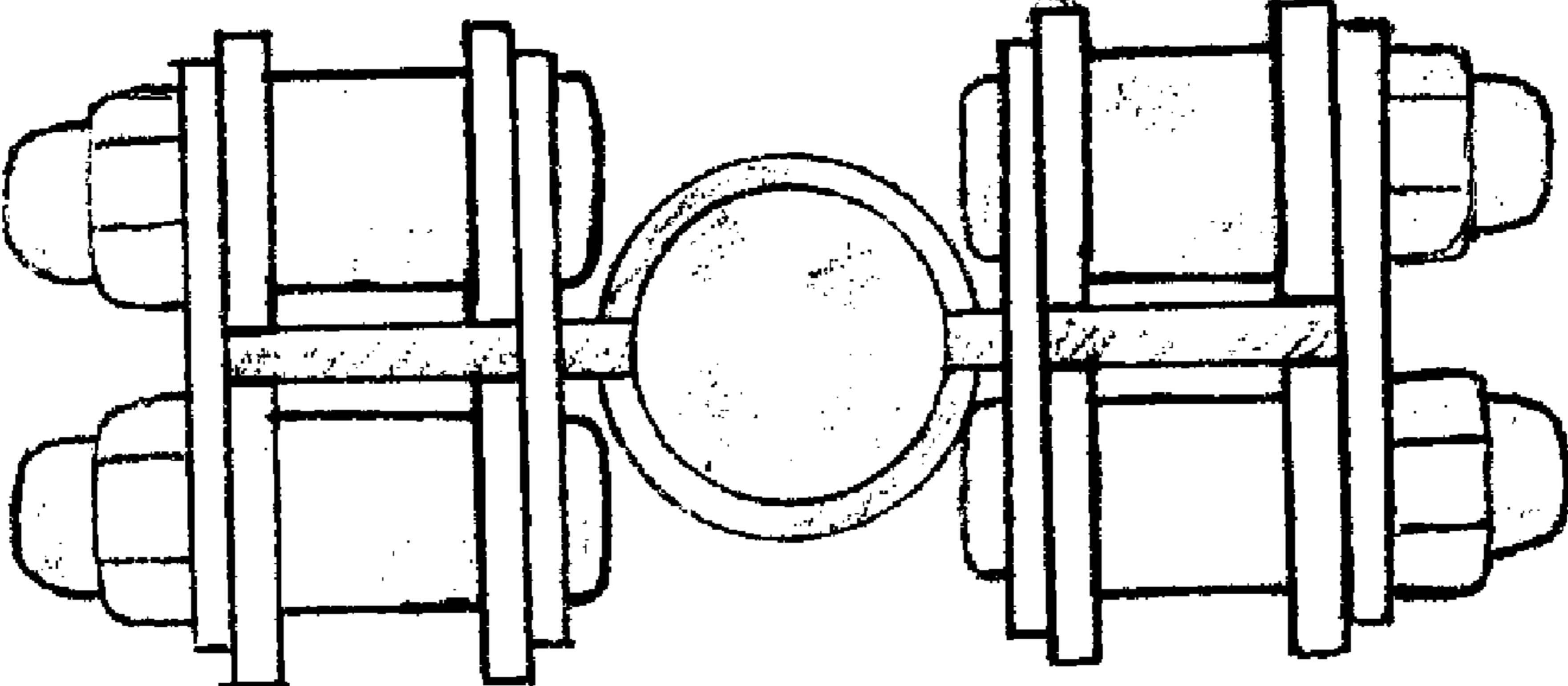


Fig. 6