

US00D507511S

(12) **United States Design Patent**  
**Lassanske**

(10) **Patent No.:** **US D507,511 S**  
(45) **Date of Patent:** **\*\* Jul. 19, 2005**

(54) **BICYCLE STAND**  
(75) **Inventor:** **Todd W. Lassanske, Madison, WI (US)**  
(73) **Assignee:** **Saris Cycling Group, Inc., Madison, WI (US)**  
(\*\*) **Term:** **14 Years**

3,785,500 A 1/1974 Kennelly  
5,133,461 A 7/1992 Martinell  
D328,882 S \* 8/1992 Martinell ..... D12/115  
D369,576 S \* 5/1996 Johnson et al. .... D12/115  
D374,849 S 10/1996 Chipman  
D398,268 S \* 9/1998 Woodcock ..... D12/115  
6,216,882 B1 4/2001 Strunck et al.  
D449,567 S \* 10/2001 Denney ..... D12/115

\* cited by examiner

(21) **Appl. No.:** **29/187,016**  
(22) **Filed:** **Jul. 25, 2003**

*Primary Examiner*—Brian N Vinson  
(74) *Attorney, Agent, or Firm*—Boyle, Fredrickson, Newholm, Stein & Gratz, S.C.

(51) **LOC (8) Cl.** ..... **12-11**  
(52) **U.S. Cl.** ..... **D12/115**  
(58) **Field of Search** ..... D12/115; D6/552, D6/566; 211/5, 182, 17-24, 181.1

(57) **CLAIM**

The ornamental design for a bicycle stand, as shown and described.

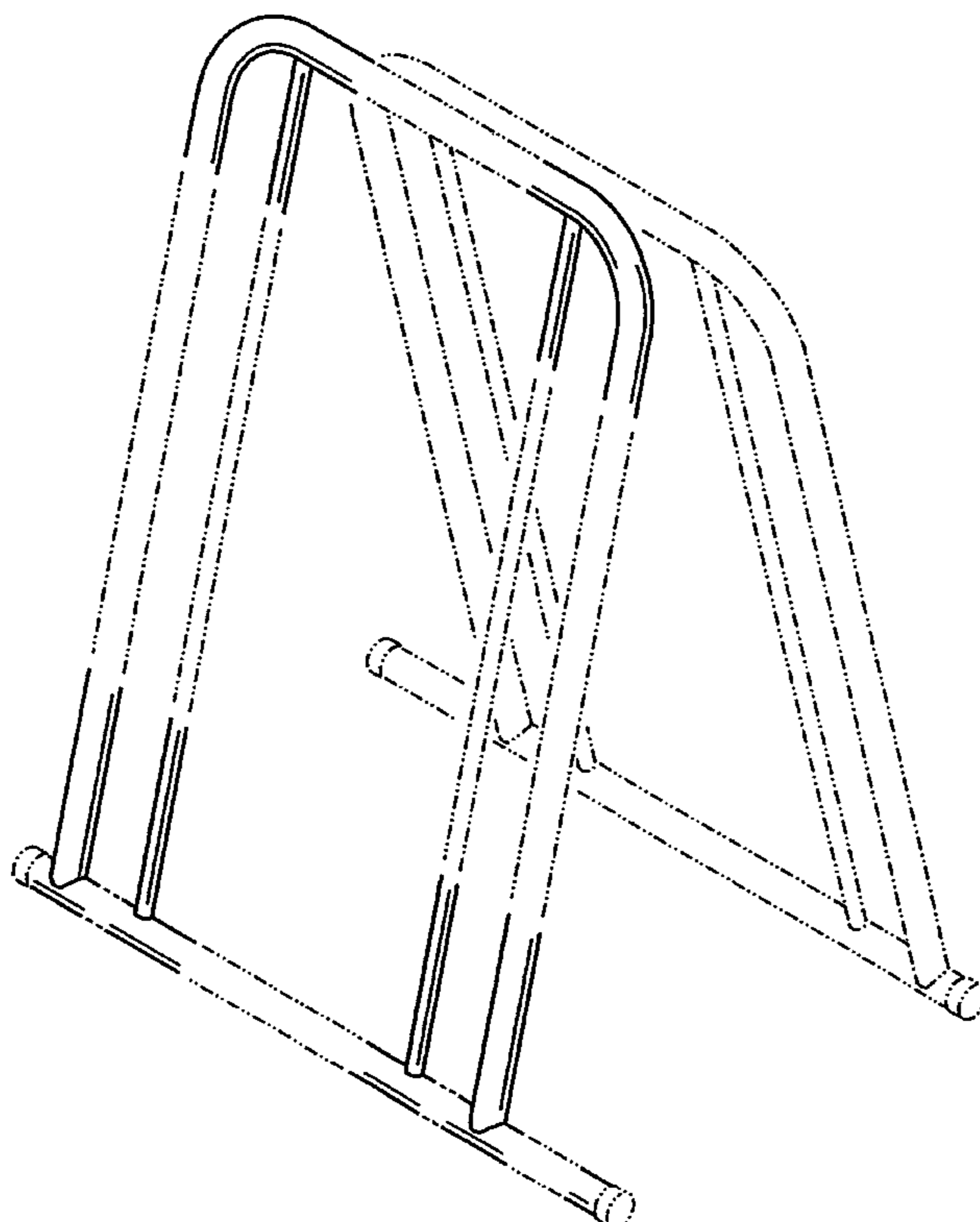
(56) **References Cited**  
**U.S. PATENT DOCUMENTS**

**DESCRIPTION**

- 585,722 A 7/1897 Temple
- 586,506 A 7/1897 Mench
- 586,741 A 7/1897 La Barre et al.
- 587,856 A 8/1897 Patton
- 598,547 A 2/1898 White
- 620,863 A 3/1899 Wilcox
- 627,751 A 6/1899 Hayden
- 646,053 A 3/1900 Humphrey
- 648,402 A 5/1900 Haarmann et al.
- 649,402 A 5/1900 Clark
- 657,973 A 9/1900 Warner
- 3,355,028 A 11/1967 Mork
- 3,455,461 A 7/1969 Kesling

FIG. 1 is a top, front, and right side perspective view of a bicycle stand showing my new design, the broken-line end portions and second half of the assembly are for illustrative purposes only and form no part of the claimed design, and the broken-line disclosure of the four vertical elements is understood to indicate indeterminate length;  
FIG. 2 is a right side elevational view thereof, the left side being a mirror image of that shown;  
FIG. 3 is a front elevational view thereof, the rear being a mirror image of that shown; and,  
FIG. 4 is a top plan view thereof.

**1 Claim, 4 Drawing Sheets**



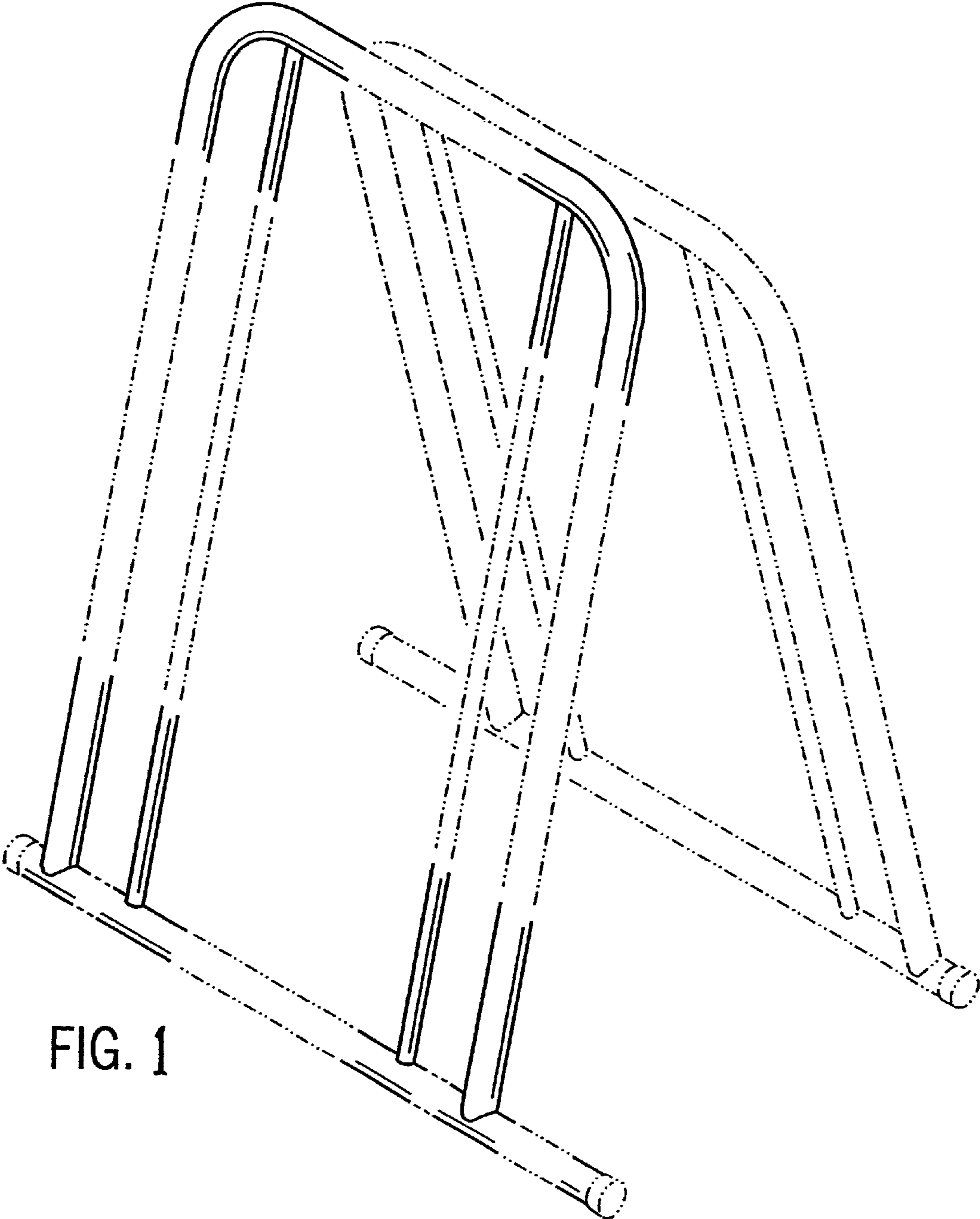


FIG. 1

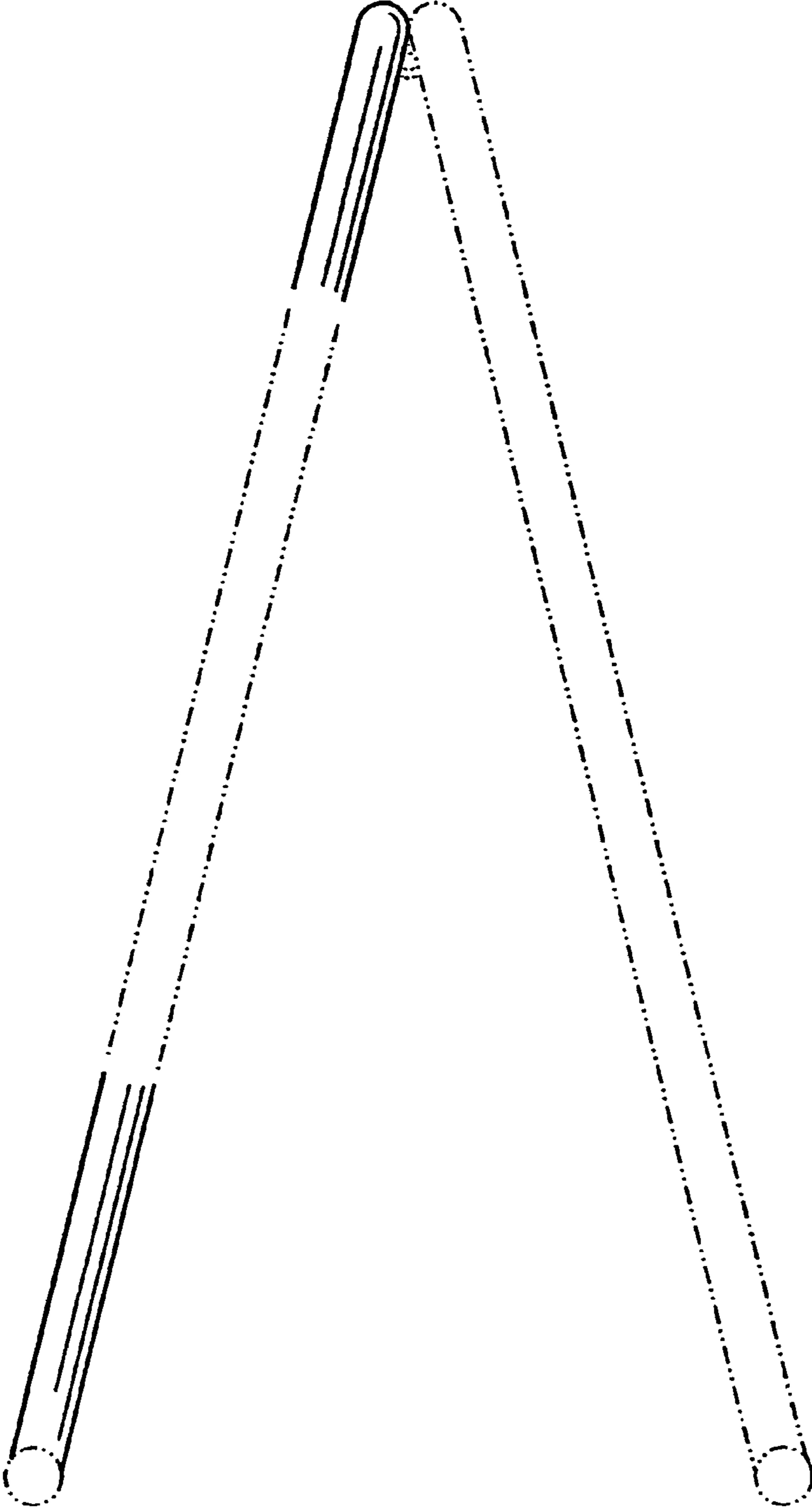


FIG. 2

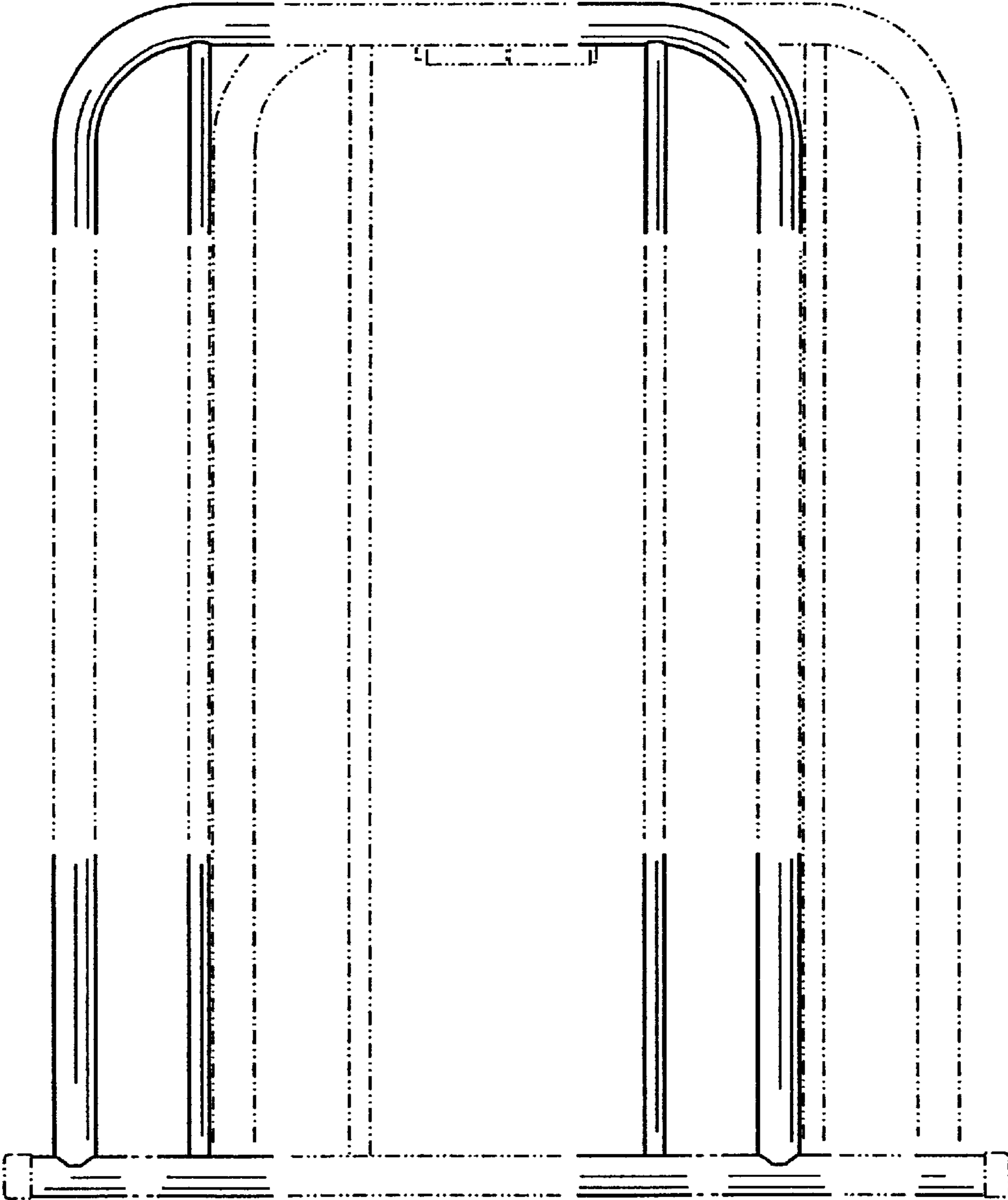


FIG. 3

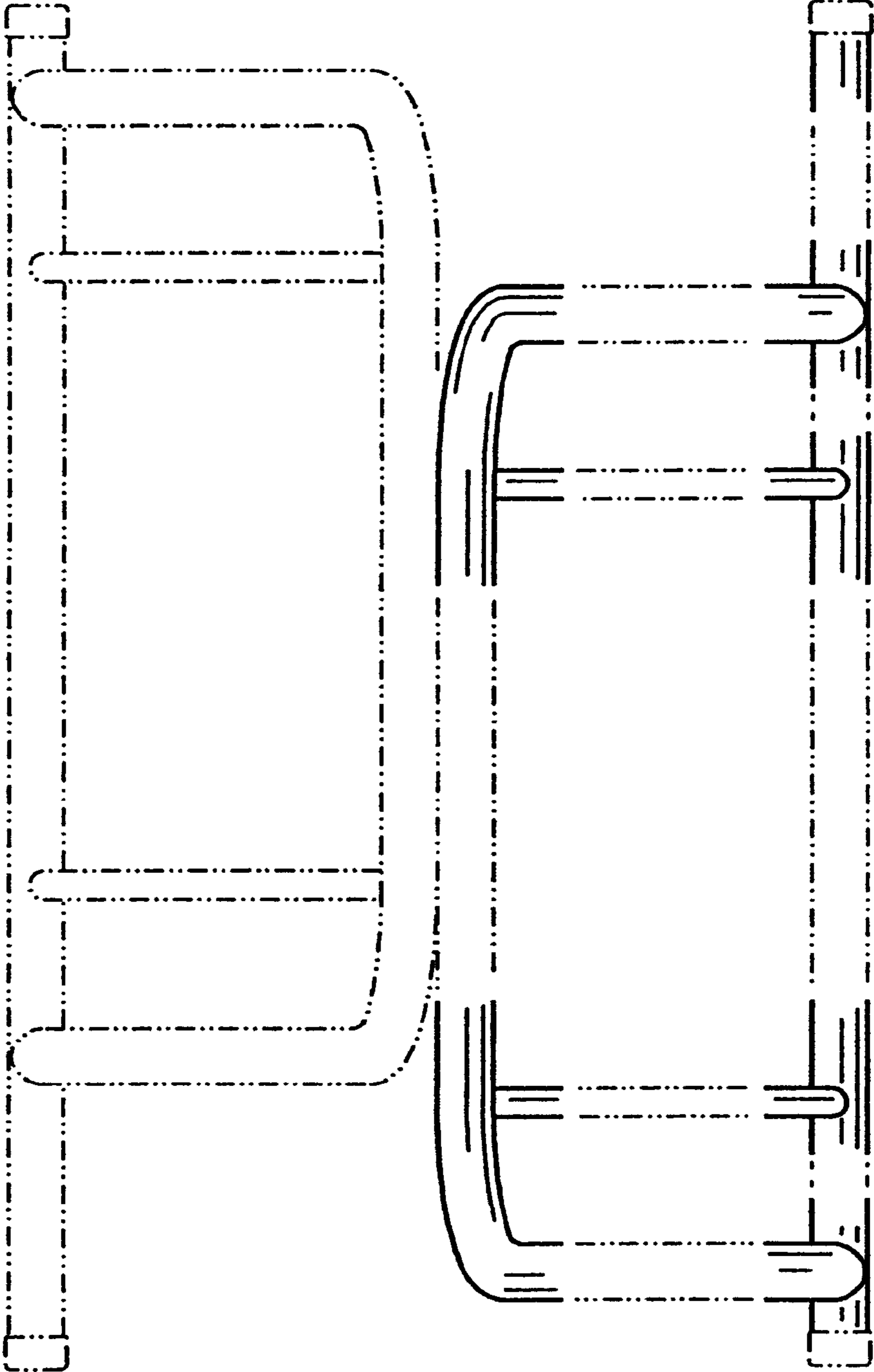


FIG. 4