



US00D507501S

(12) **United States Design Patent**
Morris

(10) **Patent No.:** **US D507,501 S**
(45) **Date of Patent:** **** Jul. 19, 2005**

(54) **SCALE ASSEMBLY FOR A FLUID LEVEL GAUGE**

(75) **Inventor:** **Jerry Morris, Chickasha, OK (US)**

(73) **Assignee:** **American Tank Gauge, Inc., Chickasha, OK (US)**

(**) **Term:** **14 Years**

(21) **Appl. No.:** **29/198,788**

(22) **Filed:** **Feb. 4, 2004**

Related U.S. Application Data

(63) Continuation-in-part of application No. 29/174,608, filed on Jan. 17, 2003, now Pat. No. Des. 492,611.

(51) **LOC (8) Cl.** **10-04**

(52) **U.S. Cl.** **D10/96; D10/101**

(58) **Field of Search** **D10/96, 101; 73/1.73, 73/305, 309, 312, 314, 319, 322, 322.5**

(56) **References Cited**

U.S. PATENT DOCUMENTS

D453,115 S 1/2002 Morris

Primary Examiner—Antoine D. Davis
(74) *Attorney, Agent, or Firm*—Dunlap, Coddling & Rogers, P.C.

(57) **CLAIM**

The ornamental design for a scale assembly for a fluid level gauge, as shown and described.

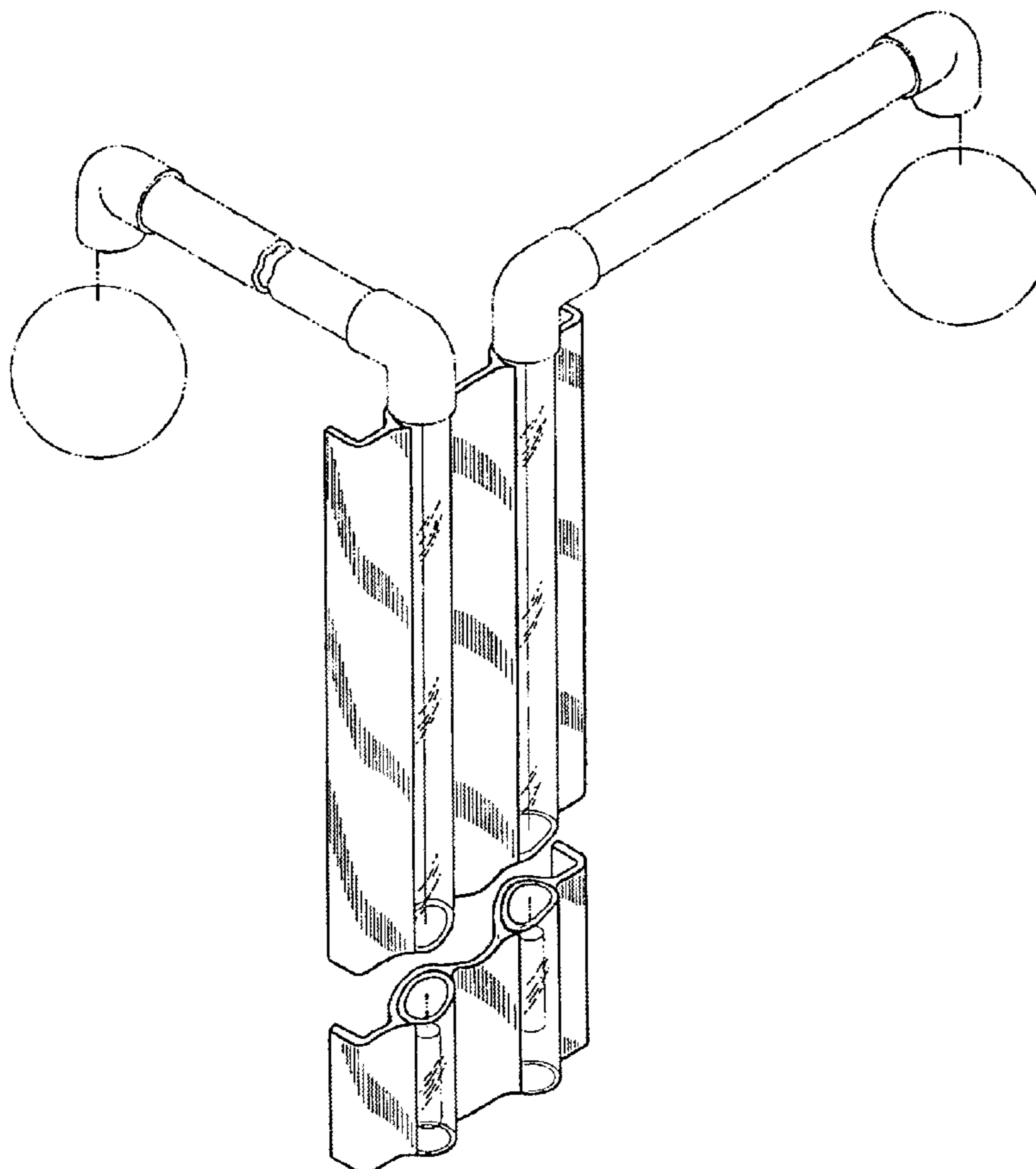
DESCRIPTION

FIG. 1 is a perspective view of a scale assembly for a fluid level gauge showing my new design; FIG. 2 is a front elevational view thereof; FIG. 3 is a top plan view thereof; FIG. 4 is a bottom plan view thereof; FIG. 5 is a side elevational view thereof; FIG. 6 is a side elevational view thereof opposite that shown in FIG. 5; and, FIG. 7 is a rear elevational view thereof.

The portion of the fluid level gauge shown in broken lines in FIG. 1 is for purposes of illustrating environment only and forms no part of the claimed design.

The scale assembly has been shown broken away in FIGS. 1, 2, and 5-7 to indicate indeterminate length.

1 Claim, 2 Drawing Sheets



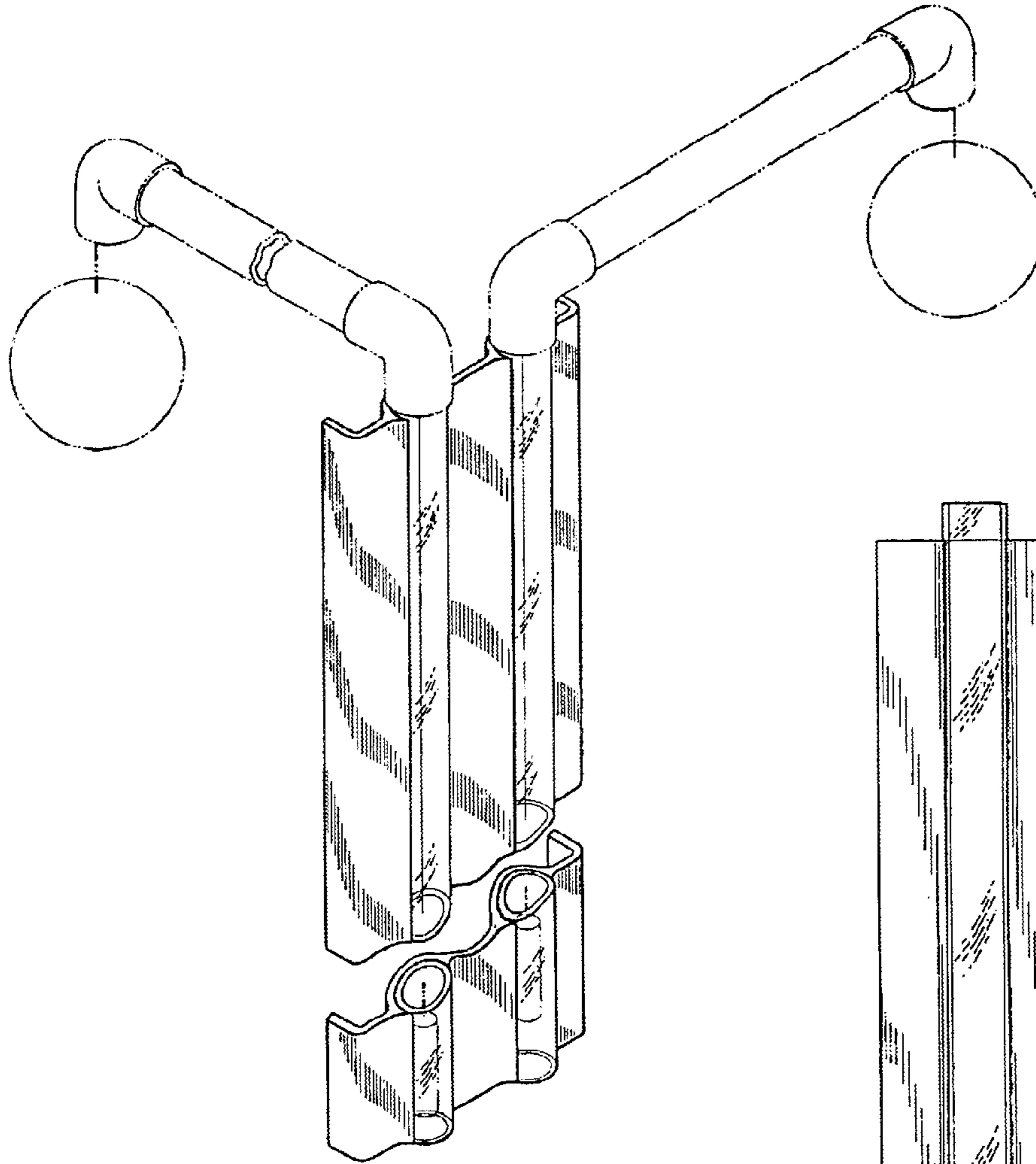


FIG. 1

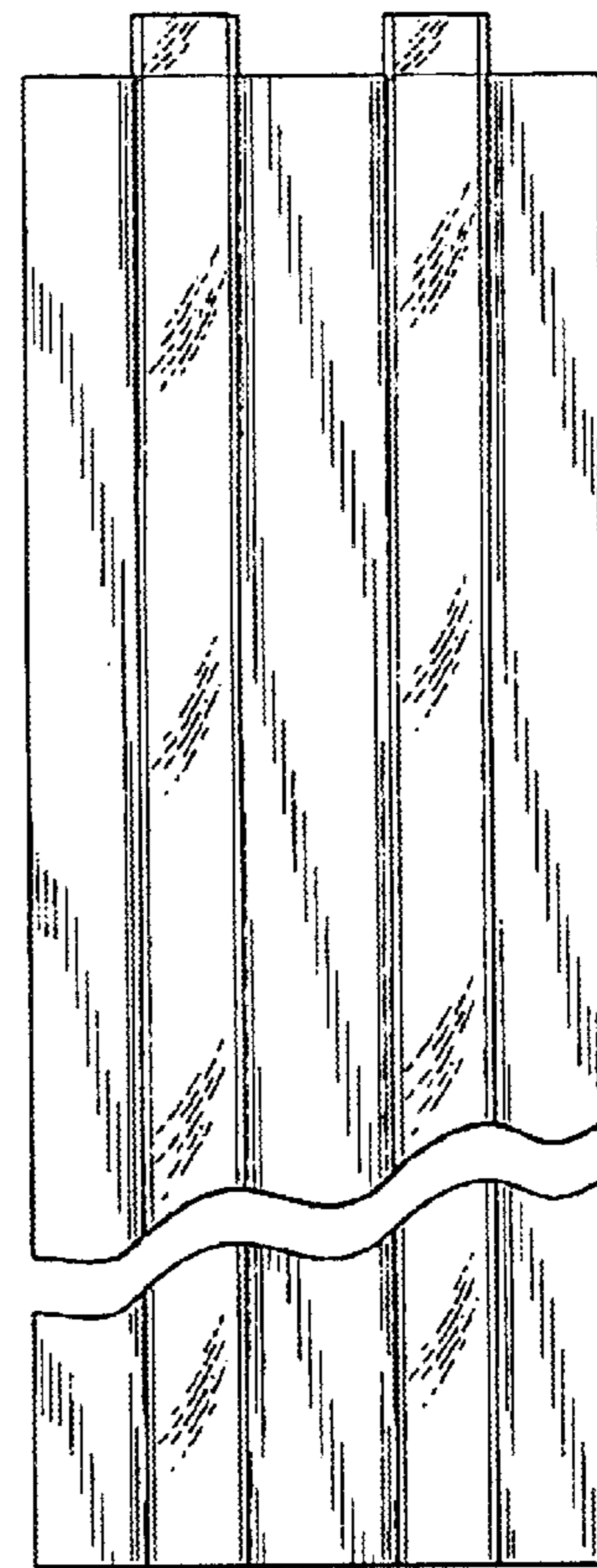


FIG. 2



FIG. 3

