

US00D507499S

(12) **United States Design Patent**  
**Bulgari**

(10) **Patent No.:** **US D507,499 S**

(45) **Date of Patent:** **\*\* Jul. 19, 2005**

(54) **WATCH WITH BRACELET**

(75) **Inventor:** **Paolo Bulgari, Rome (IT)**

(73) **Assignee:** **Bulgari Time (Switzerland) S.A.,  
Neuchatel (CH)**

(\*\*) **Term:** **14 Years**

(21) **Appl. No.:** **29/204,567**

(22) **Filed:** **Apr. 30, 2004**

(30) **Foreign Application Priority Data**

Dec. 18, 2003 (WO) ..... DM/065016

(51) **LOC (8) Cl.** ..... **10-02**

(52) **U.S. Cl.** ..... **D10/32**

(58) **Field of Search** ..... D10/1-40, 122-132;  
368/276-277, 281-282, 285; D11/3-25;  
63/1.1, 3, 5, 11; 224/164, 168, 178

(56) **References Cited**

**U.S. PATENT DOCUMENTS**

3,379,004 A \* 4/1968 Lee ..... 368/27

D221,289 S \* 7/1971 VanHaften ..... D10/39  
D436,044 S \* 1/2001 Subilia ..... D10/30  
D441,303 S \* 5/2001 Hanagata ..... D10/30  
6,435,709 B2 \* 8/2002 Hirano et al. .... 368/281

\* cited by examiner

*Primary Examiner*—Nelson C Holtje  
(74) *Attorney, Agent, or Firm*—Reising, Ethington, Barnes,  
Kisselle, P.C.

(57) **CLAIM**

The ornamental design for a watch with bracelet, showing  
my new design.

**DESCRIPTION**

FIG. 1 shows a front view of same;  
FIG. 2 shows a left side view of same;  
FIG. 3 shows a rear view of same;  
FIG. 4 shows a right side view of same;  
FIG. 5 shows a top view of same;  
FIG. 6 shows a bottom view of same; and,  
FIG. 7 shows a perspective view of same.

**1 Claim, 1 Drawing Sheet**



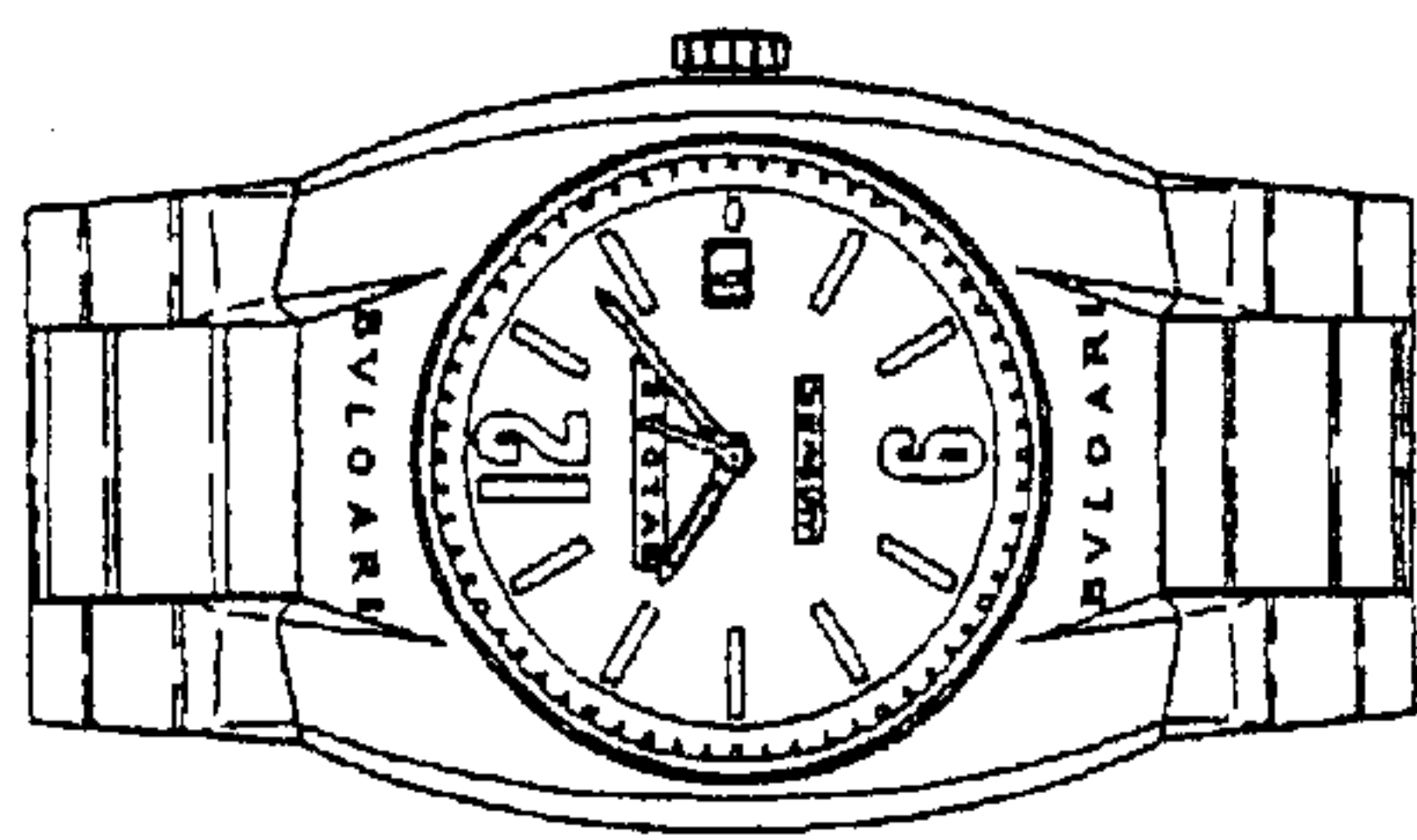


FIG. 1

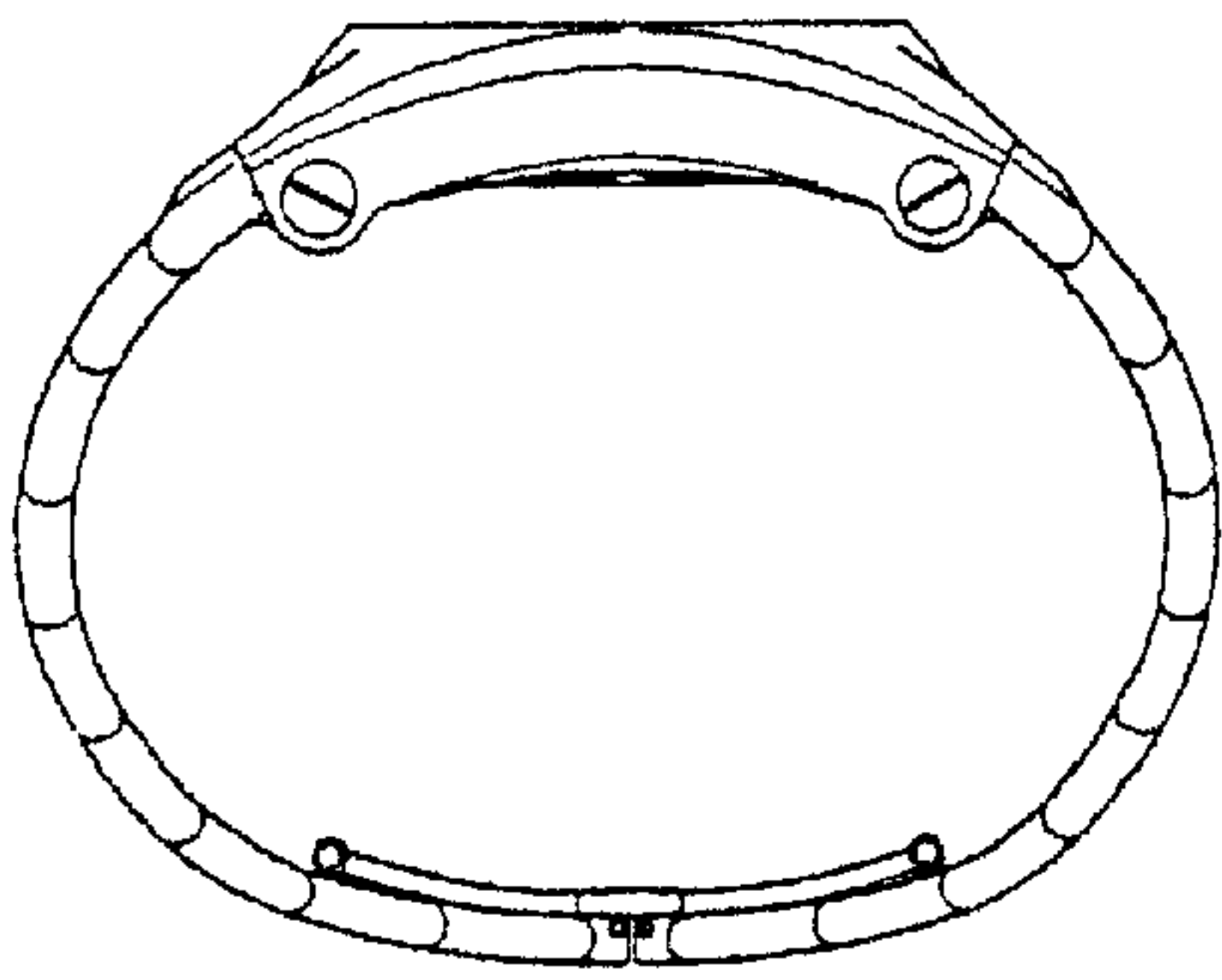


FIG. 2

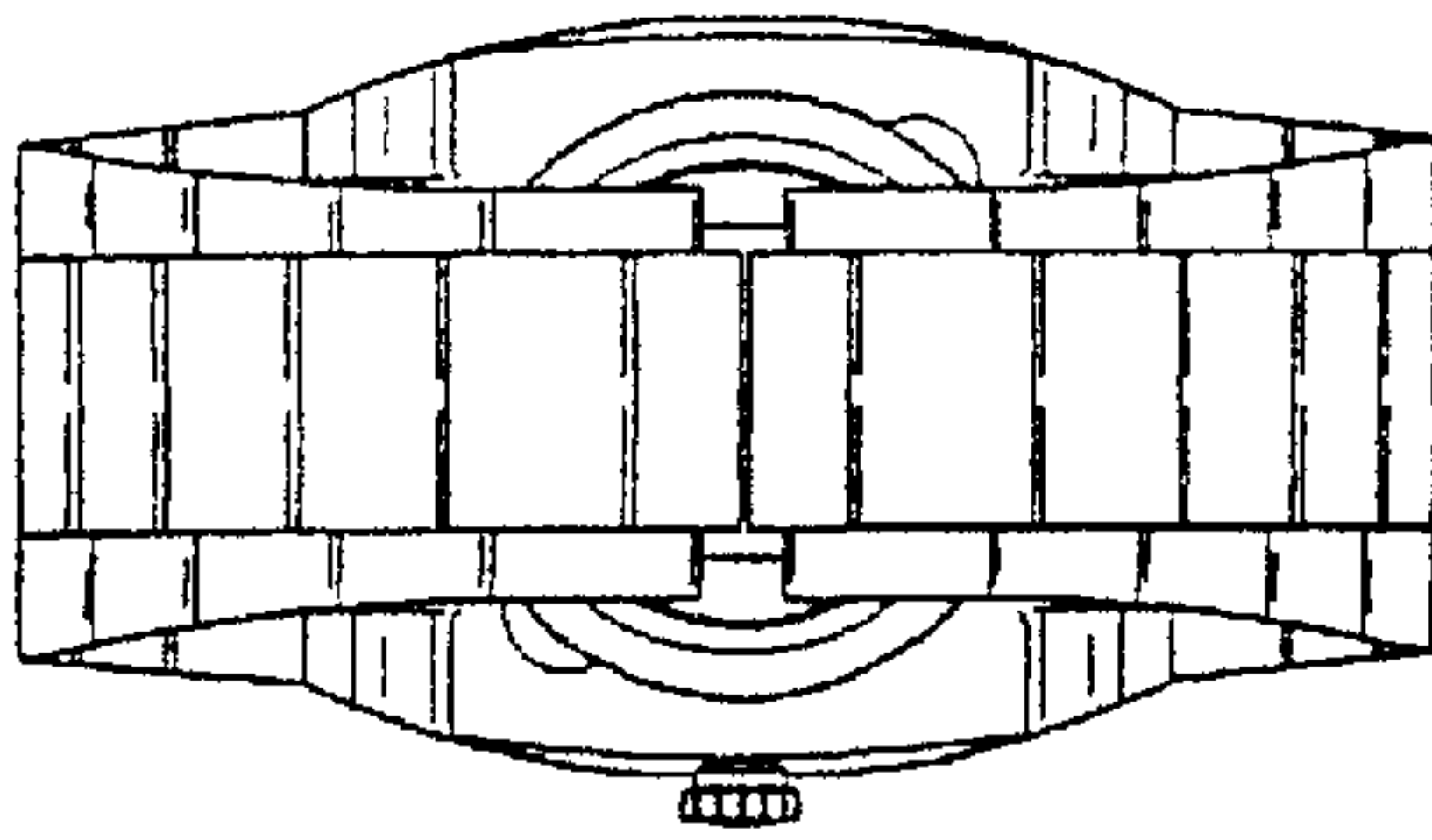


FIG. 3

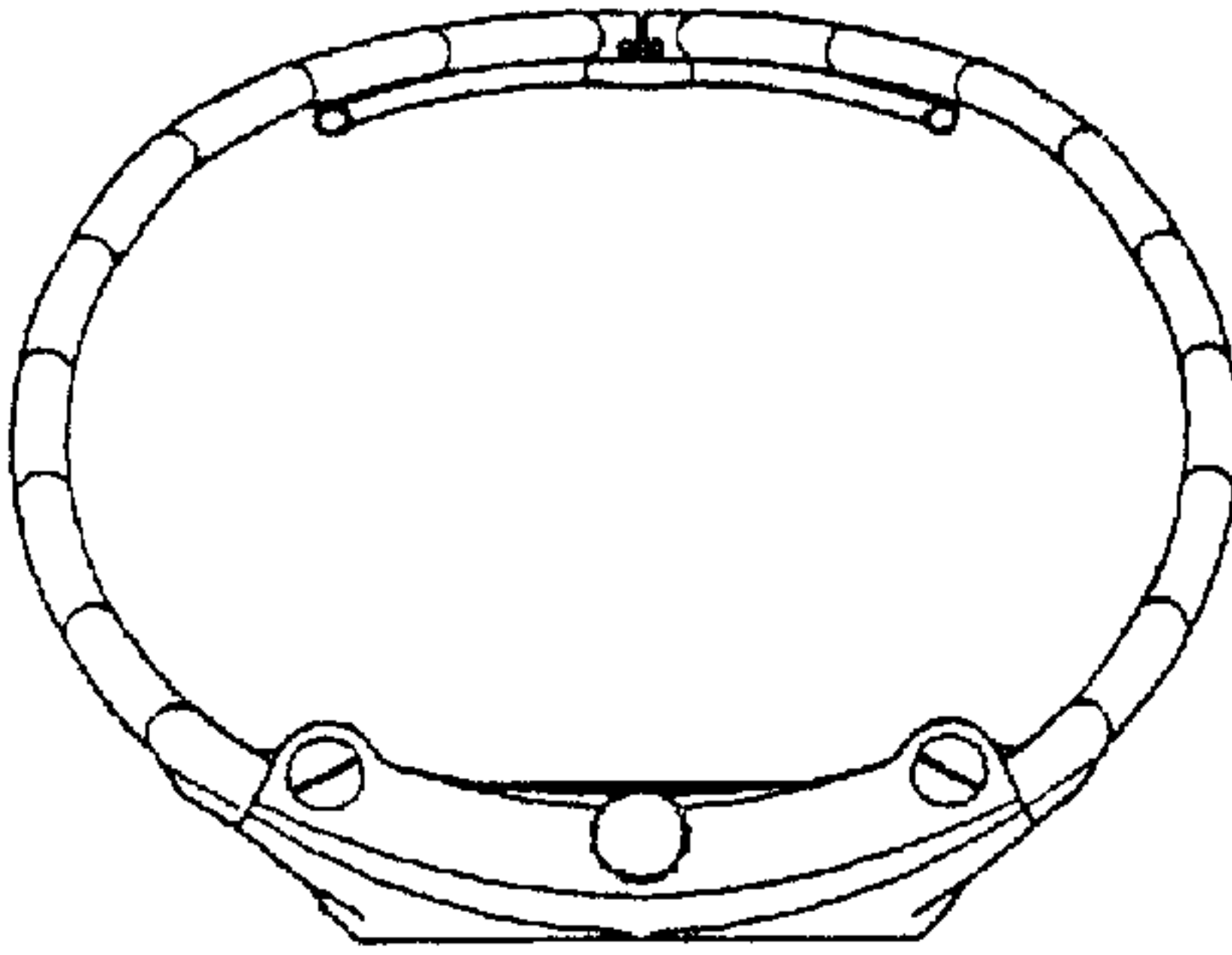


FIG. 4

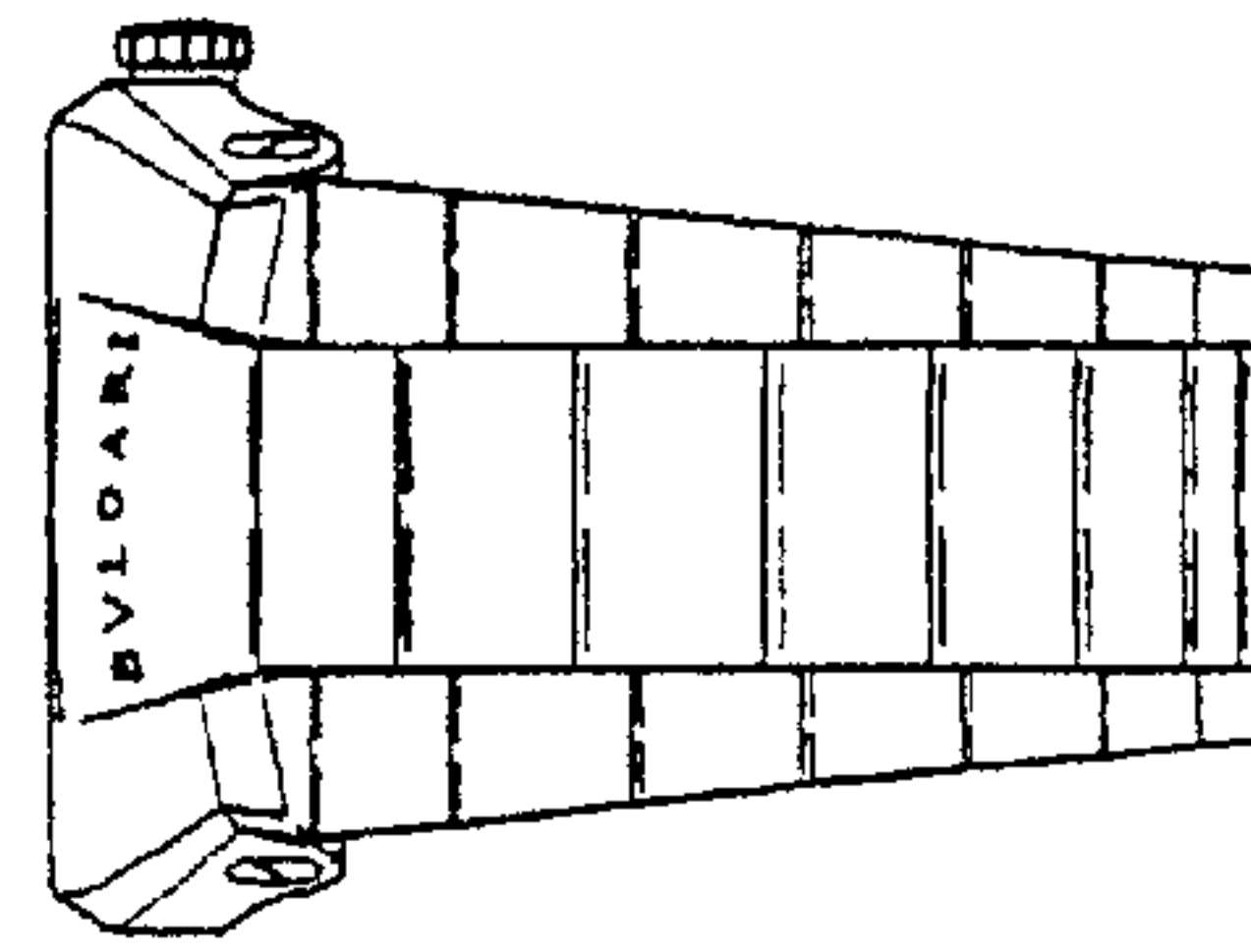


FIG. 5

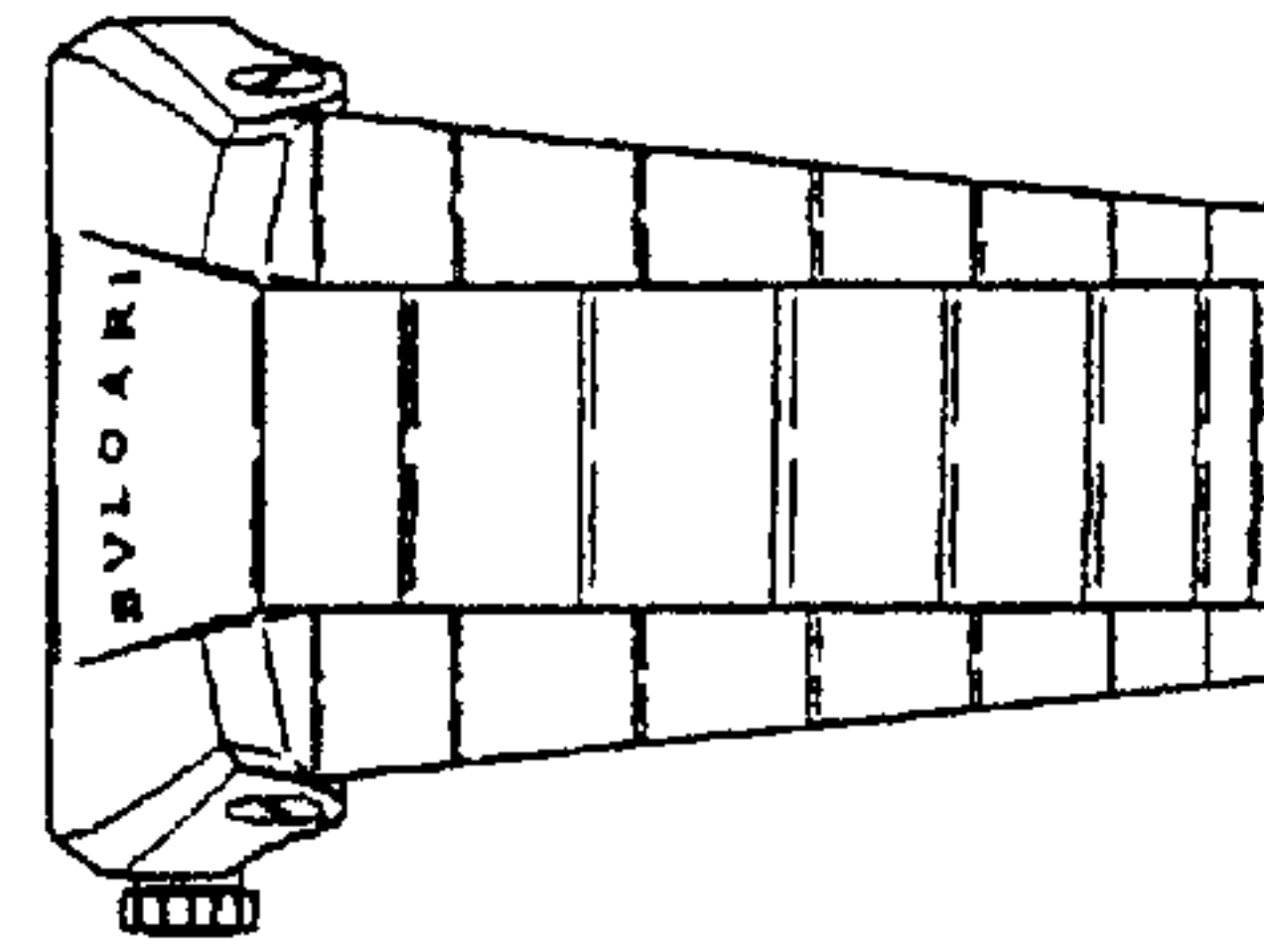


FIG. 6



FIG. 7