



US00D507496S

(12) **United States Design Patent**
Tang

(10) **Patent No.:** **US D507,496 S**
(45) **Date of Patent:** **** Jul. 19, 2005**

(54) **WATCH CASE**

(75) **Inventor:** **Zhe Yi Tang**, Hunan Province (CN)

(73) **Assignee:** **New Heritage Limited**, Hung Hom Kln. (HK)

(**) **Term:** **14 Years**

(21) **Appl. No.:** **29/212,940**

(22) **Filed:** **Sep. 10, 2004**

(51) **LOC (8) Cl.** **10-02**

(52) **U.S. Cl.** **D10/30**

(58) **Field of Search** D10/1-40, 122-132;
368/280-282, 276-277, 285, 294-295

(56) **References Cited**

U.S. PATENT DOCUMENTS

D288,296 S	*	2/1987	Maron	D10/30
D310,637 S	*	9/1990	Sugano	D10/30
D322,410 S	*	12/1991	Woomer	D10/39
D361,521 S	*	8/1995	Koga	D10/30
D365,283 S	*	12/1995	Goulet Maubouissin	D10/30
D365,526 S	*	12/1995	Gardner	D10/39
5,493,544 A	*	2/1996	Marthe	368/281
D373,087 S	*	8/1996	Goulet Maubouissin	D10/30
D390,788 S	*	2/1998	Parmigiani	D10/30
D399,759 S	*	10/1998	Kennedy	D10/30

OTHER PUBLICATIONS

Hong Kong Enterprise—Jul. 1988—p. 175—Watches at left and lower—left.*

Swiss Watch & Jewelry Journal—Jun. 1982—p.—696—Watches at bottom.*

* cited by examiner

Primary Examiner—Nelson C. Holtje

(74) *Attorney, Agent, or Firm*—Thomas I. Rozsa; Tony D. Chen

(57) **CLAIM**

The ornamental design for a watch case, as shown and described.

DESCRIPTION

FIG. 1 is a perspective view of a watch case, showing my new design;

FIG. 2 is a top plan view;

FIG. 3 is bottom plan view;

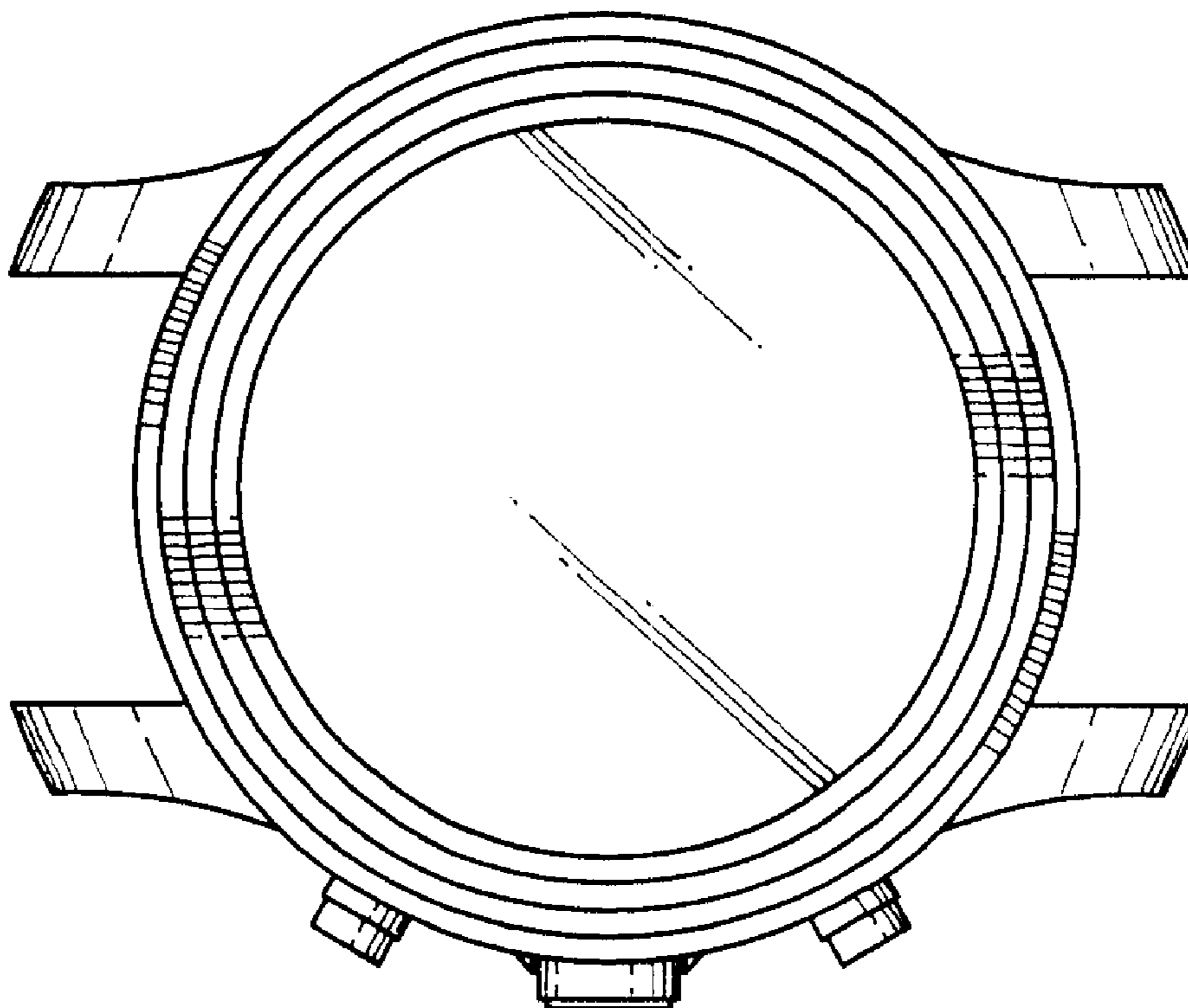
FIG. 4 is a side elevational view when viewed from the right side;

FIG. 5 is a side elevational view when viewed from the left side;

FIG. 6 is a top plan view; and

FIG. 7 is a bottom plan view, showing my new design.

1 Claim, 2 Drawing Sheets



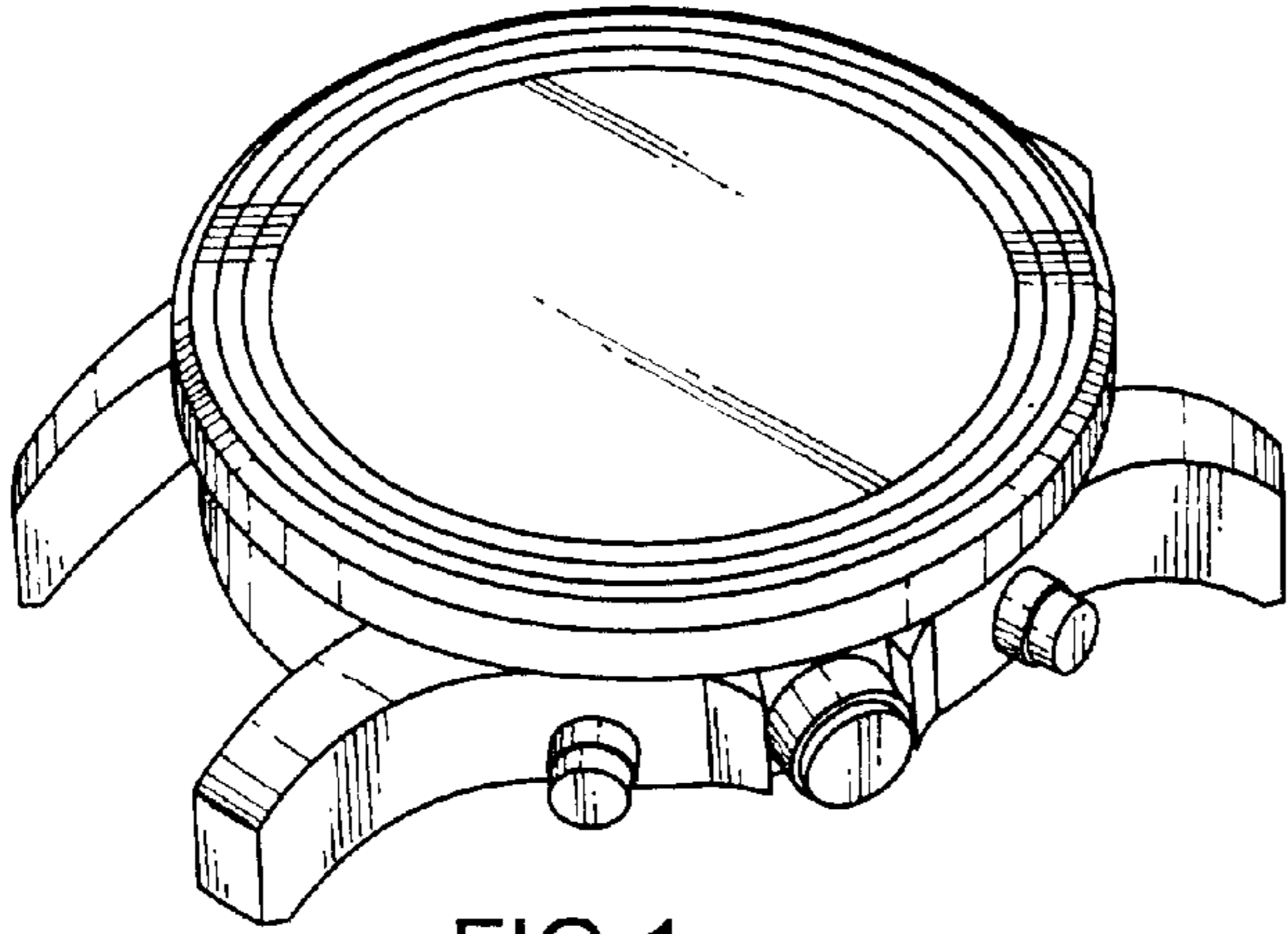


FIG. 1

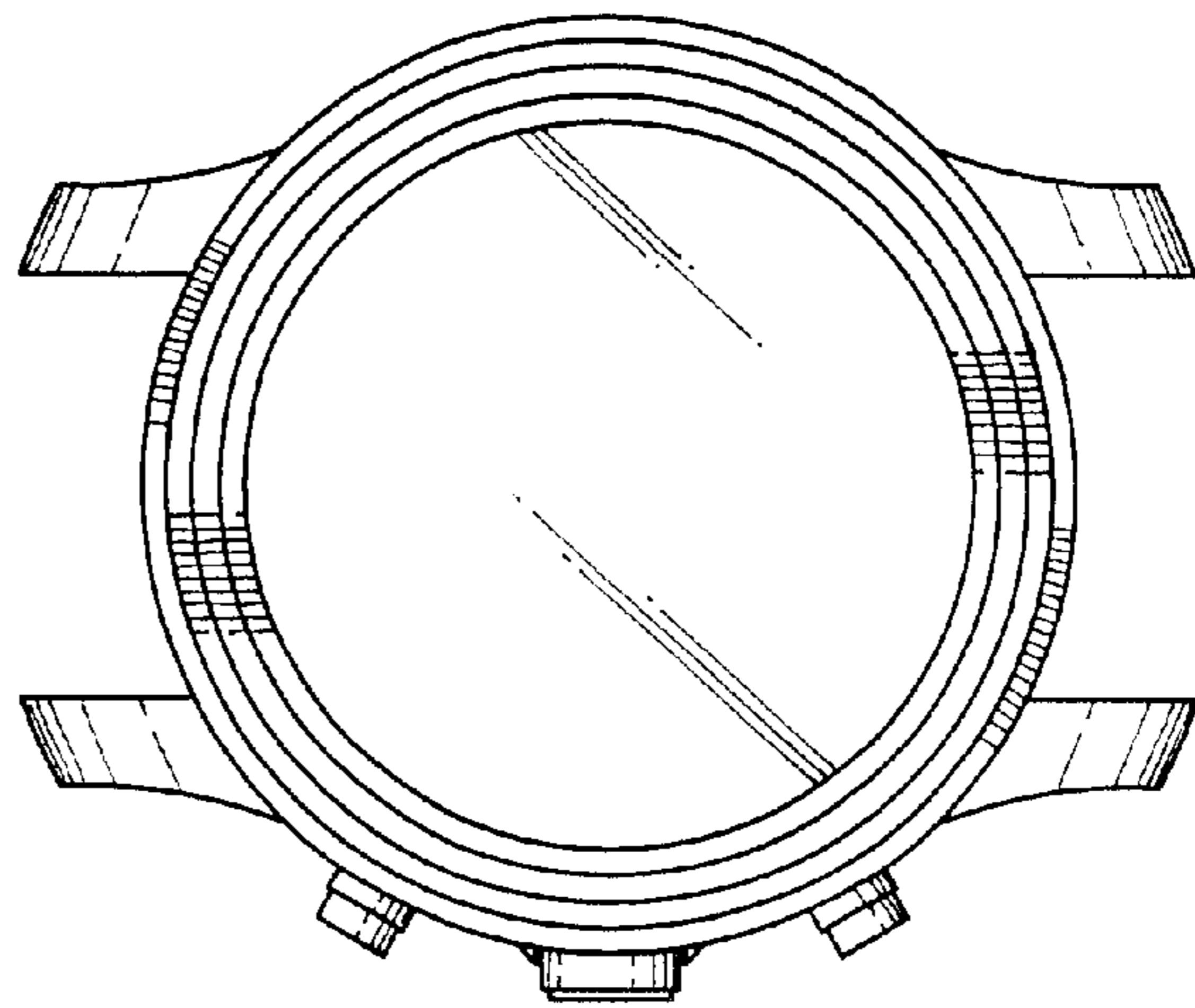


FIG. 2

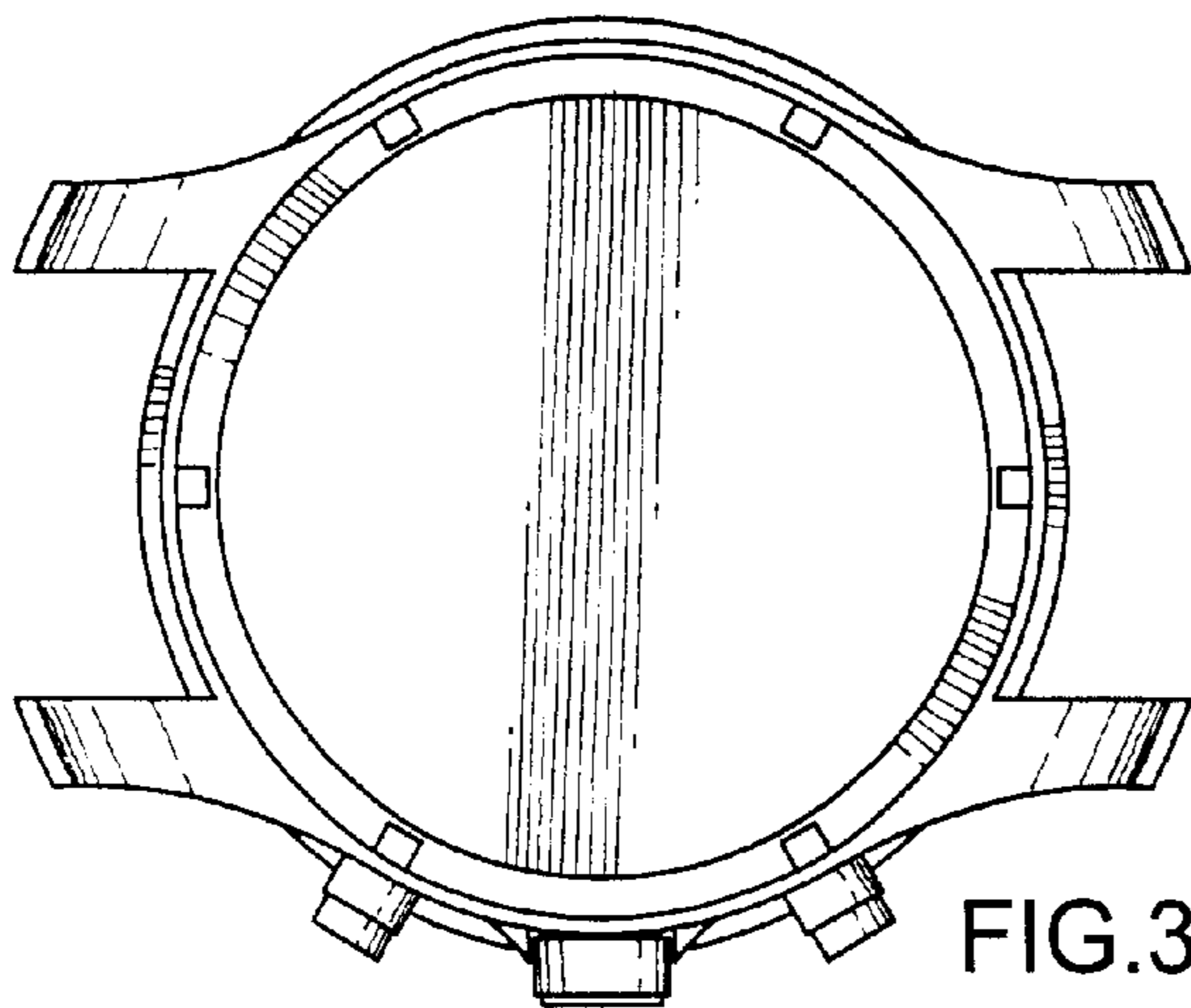


FIG. 3

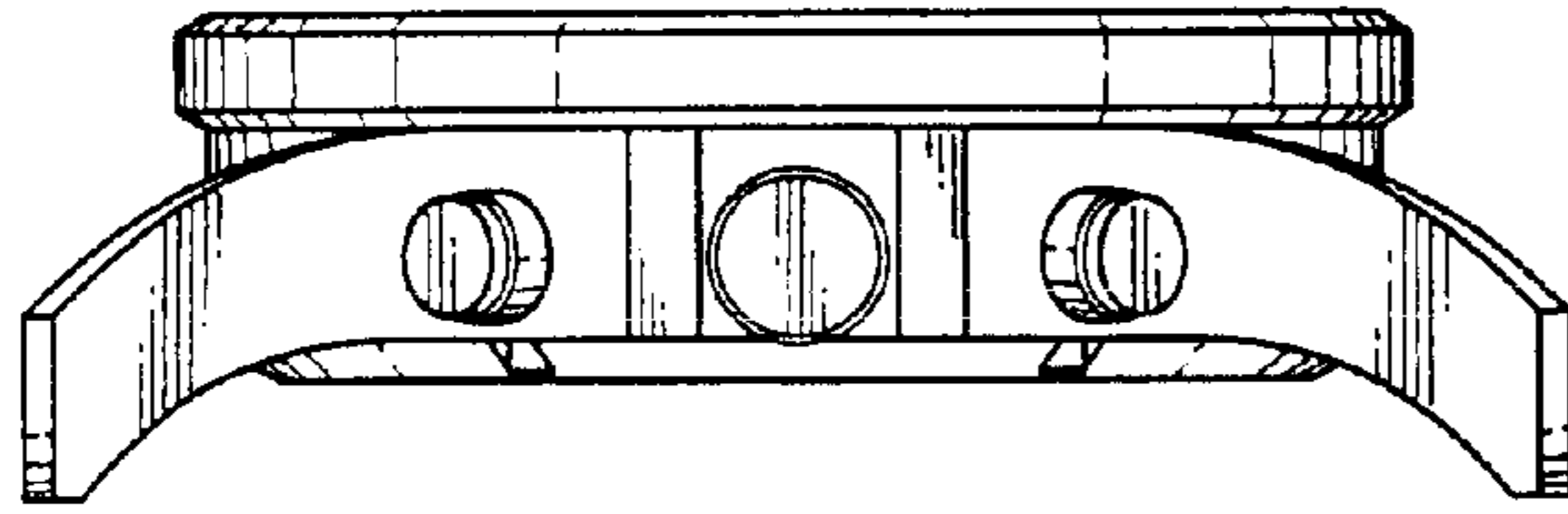


FIG. 4

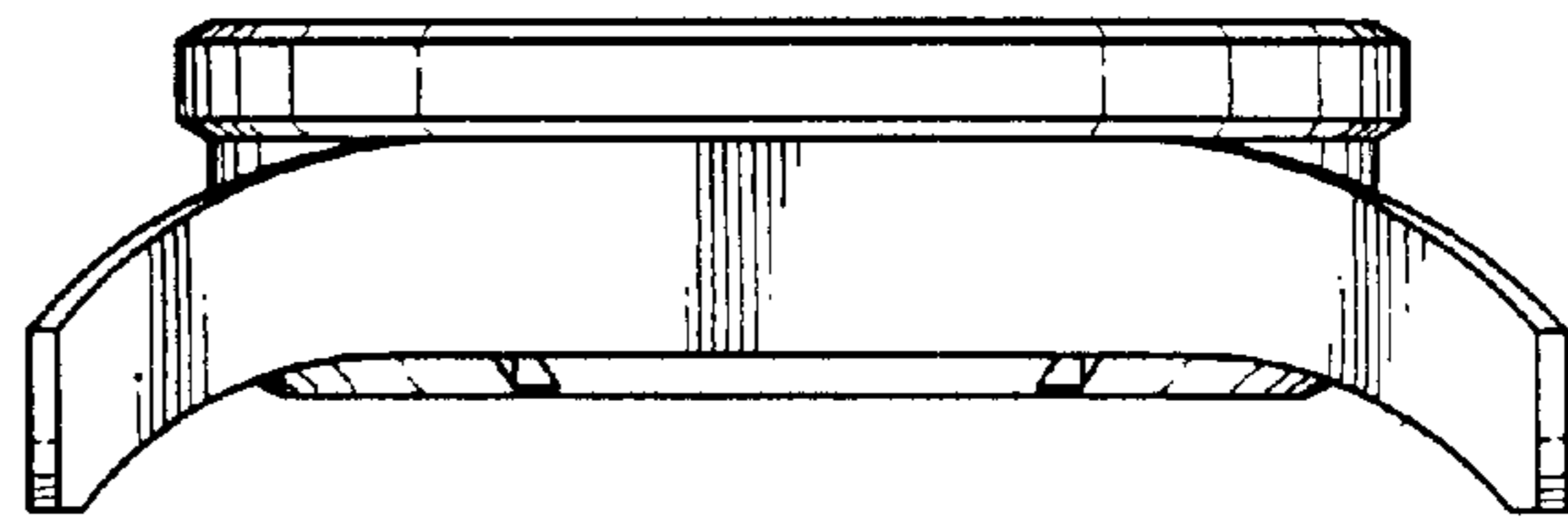


FIG. 5

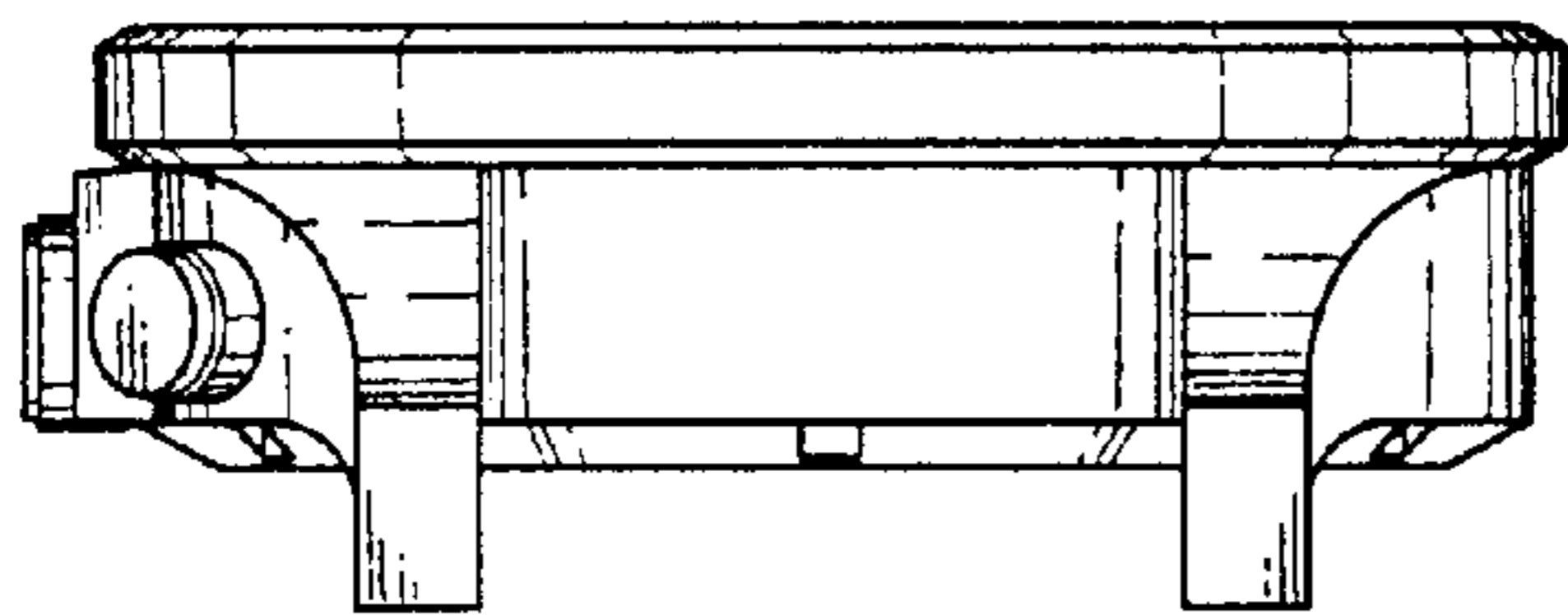


FIG. 6

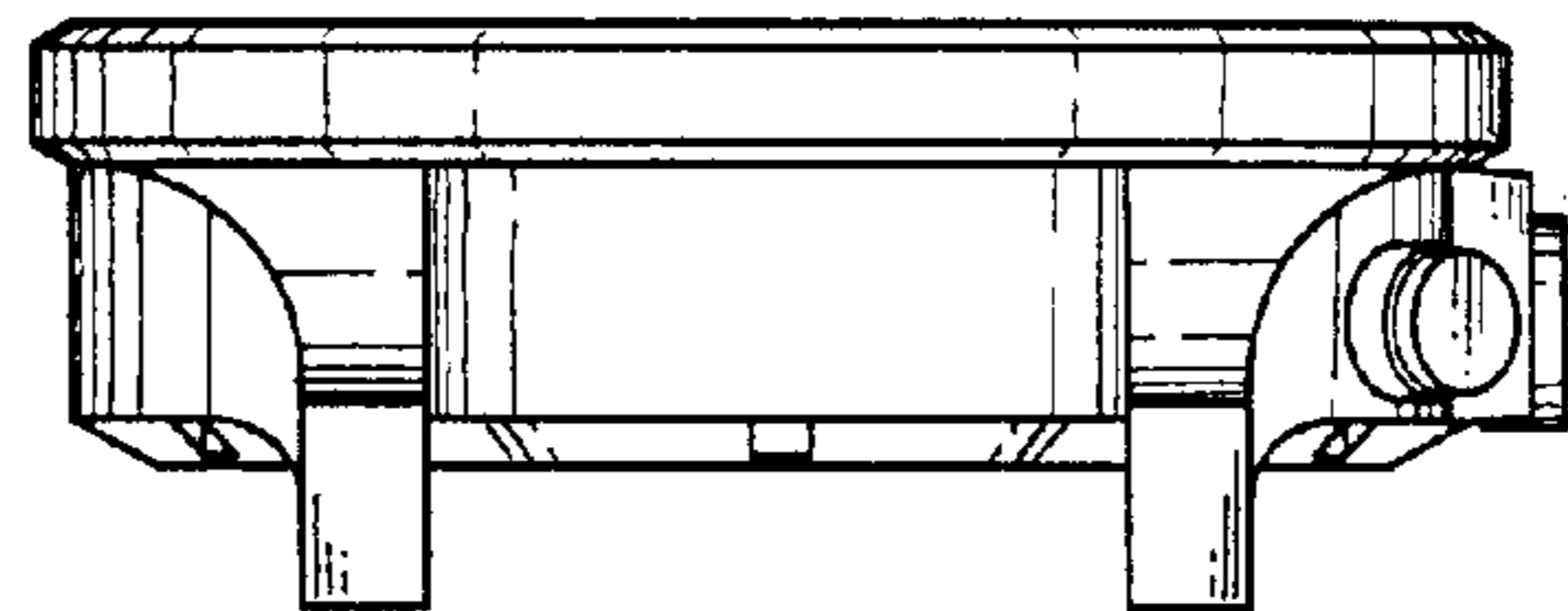


FIG. 7