

US00D507486S

(12) **United States Design Patent**
Wang

(10) **Patent No.:** **US D507,486 S**

(45) **Date of Patent:** **** Jul. 19, 2005**

(54) **PUMP FOR A BOTTLE OF FACIAL LOTION**

(76) **Inventor:** **Cheng Chi Wang**, No. 32, Sec. 1,
Chunghwa Rd., Taipei Hsien (TW)

(**) **Term:** **14 Years**

(21) **Appl. No.:** **29/187,202**

(22) **Filed:** **Jul. 30, 2003**

(51) **LOC (8) Cl.** **09-07**

(52) **U.S. Cl.** **D9/448**

(58) **Field of Search** D9/300, 435, 436,
D9/437, 440, 447-450, 529; D6/542-544;
222/105, 153.13, 153.14, 383.1, 383.3,
402.11, 402.13, 472, 494, 562, 207; 239/333;
426/81

(56) **References Cited**

U.S. PATENT DOCUMENTS

2,804,240 A * 8/1957 Anderson 222/207
D253,398 S * 11/1979 Niemeyer et al. D9/448

D392,887 S * 3/1998 Wadsworth D9/448
D398,529 S * 9/1998 Mascitelli D9/448
D470,043 S * 2/2003 Crawford D9/300

* cited by examiner

Primary Examiner—Louis S. Zarfes

Assistant Examiner—G. Andoll

(74) *Attorney, Agent, or Firm*—Harrison & Egbert

(57) **CLAIM**

I claim the ornamental design for a pump for a bottle of facial lotion, as shown and described.

DESCRIPTION

FIG. 1 is an upper perspective view of the pump for a bottle of facial lotion showing my design.

FIG. 2 is a back view thereof;

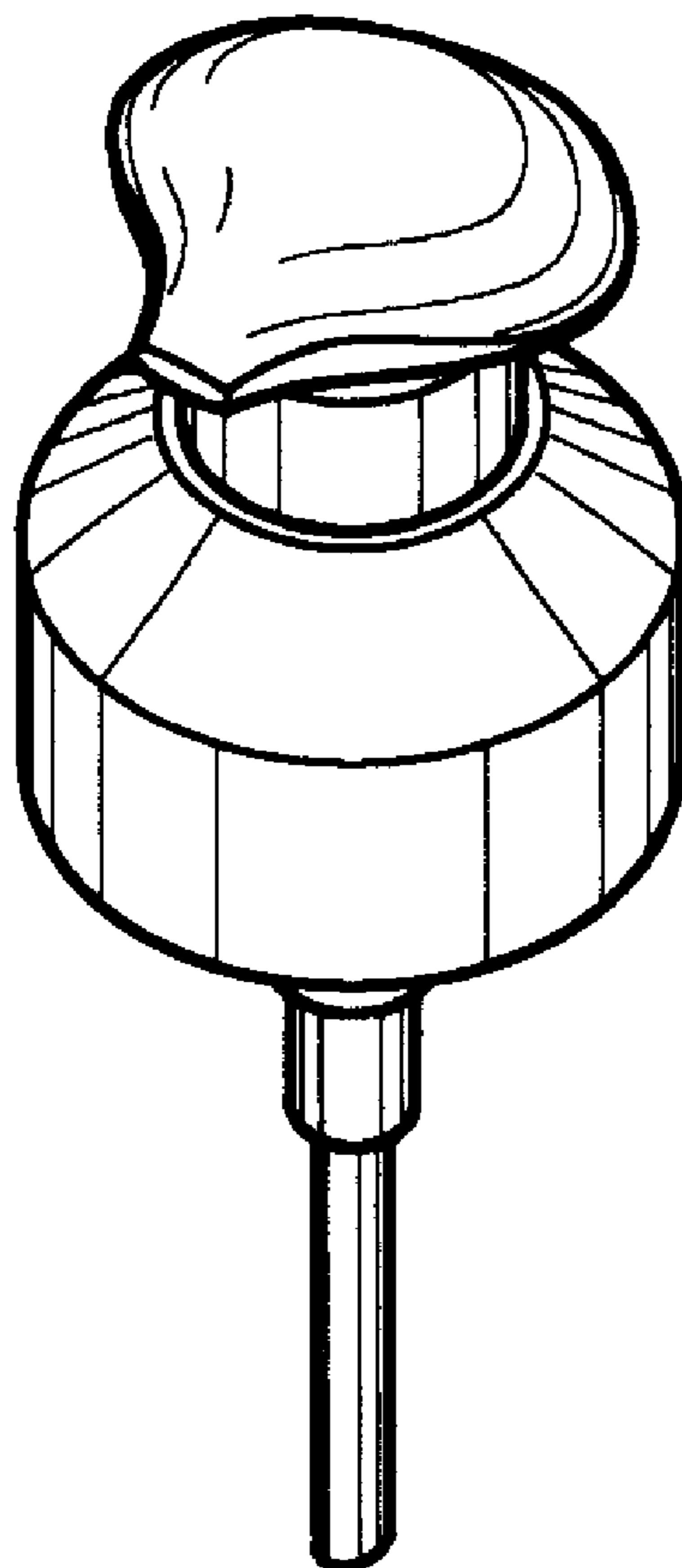
FIG. 3 is a top view thereof;

FIG. 4 is a side view thereof;

FIG. 5 is a front view thereof; and,

FIG. 6 is an opposite side view thereof.

1 Claim, 2 Drawing Sheets



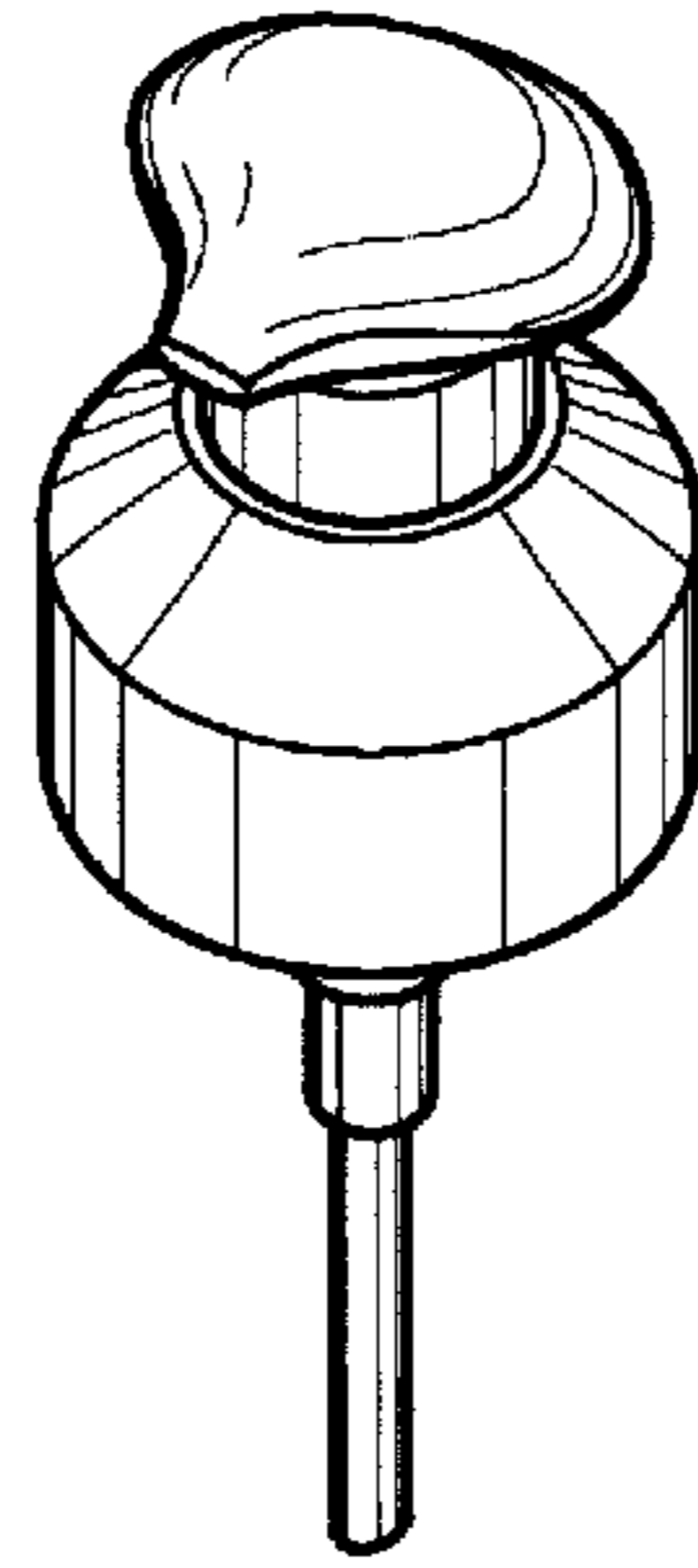


FIG. 1

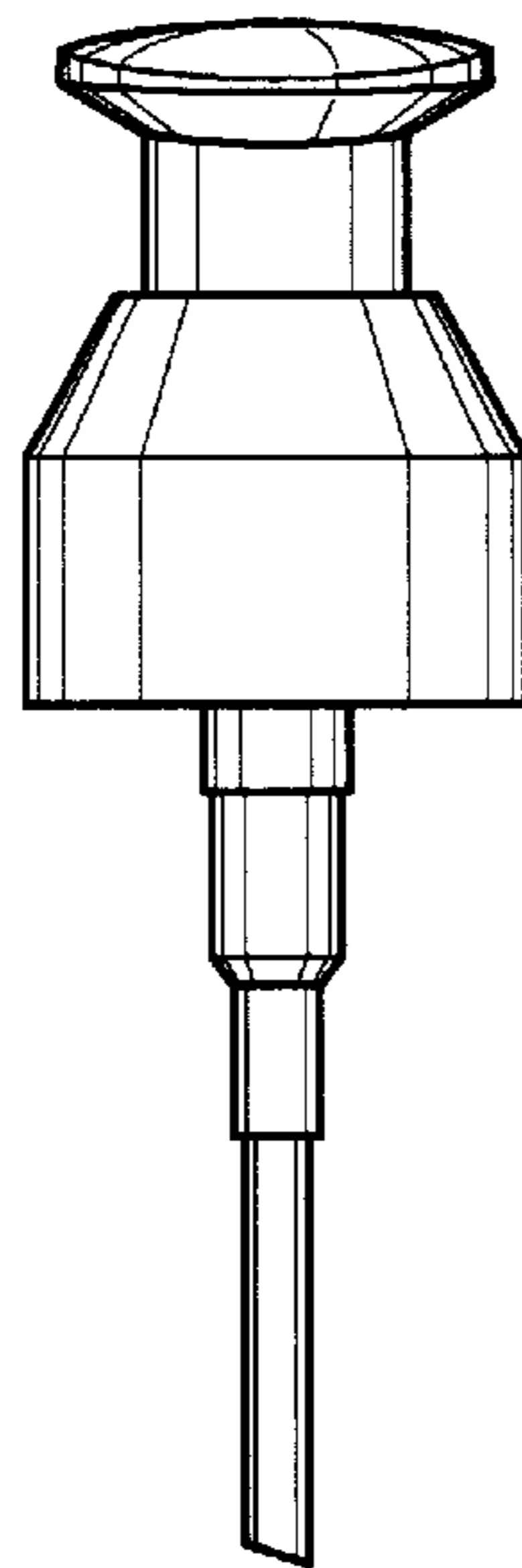


FIG. 2

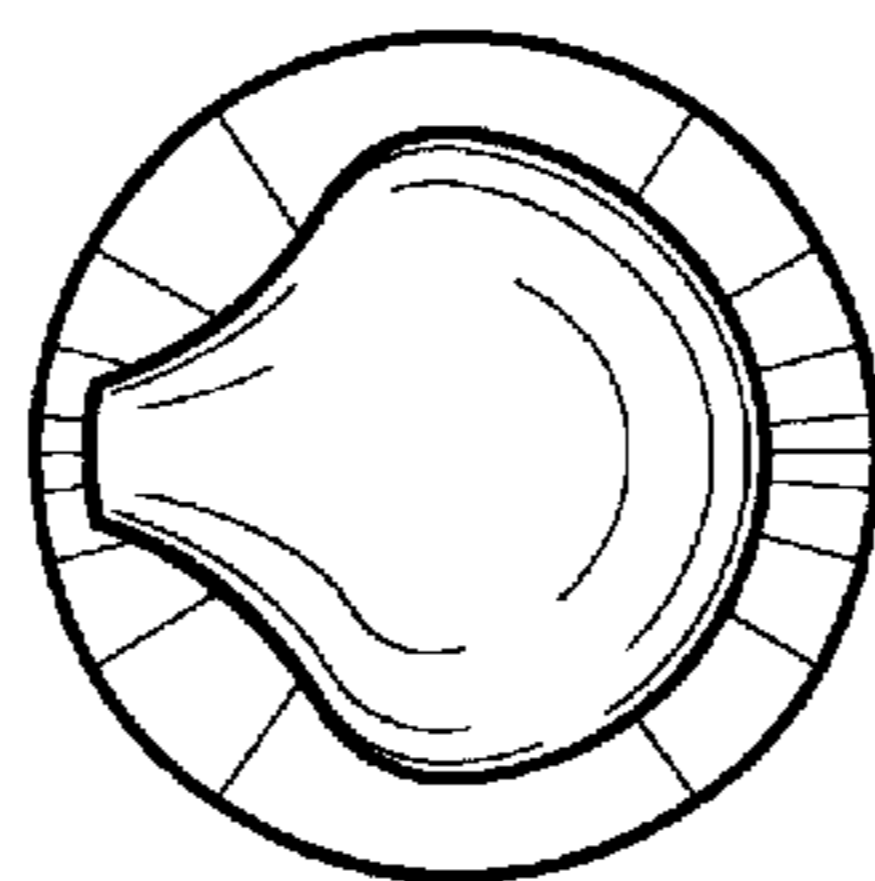


FIG. 3

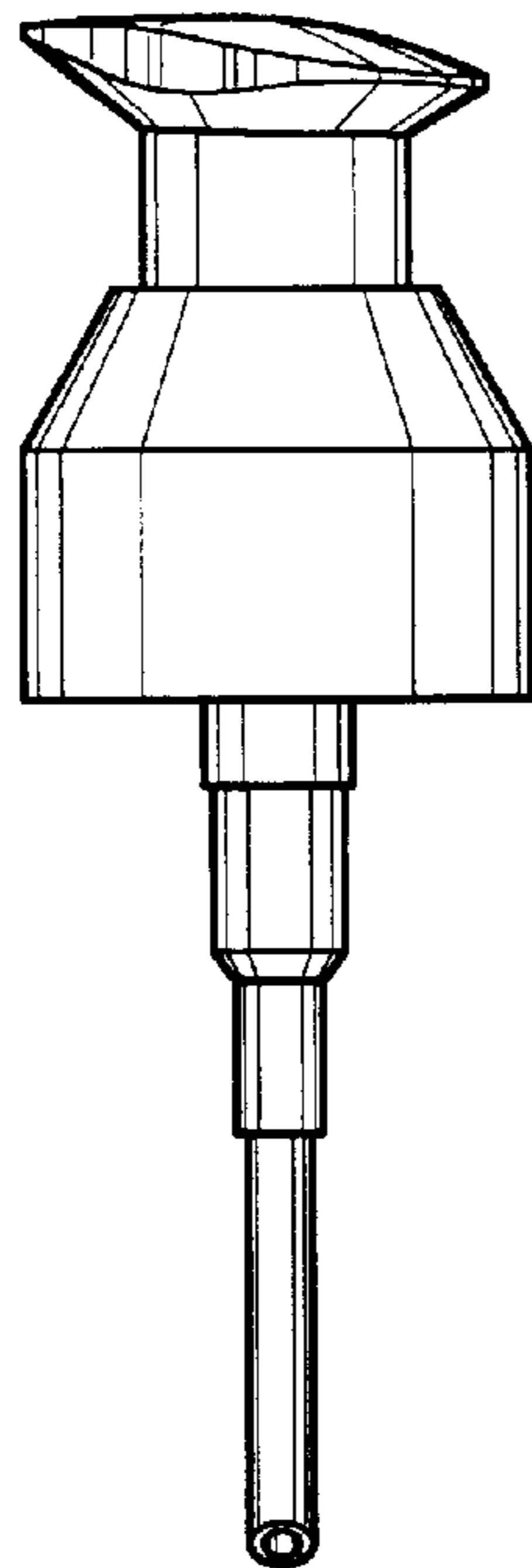


FIG. 4

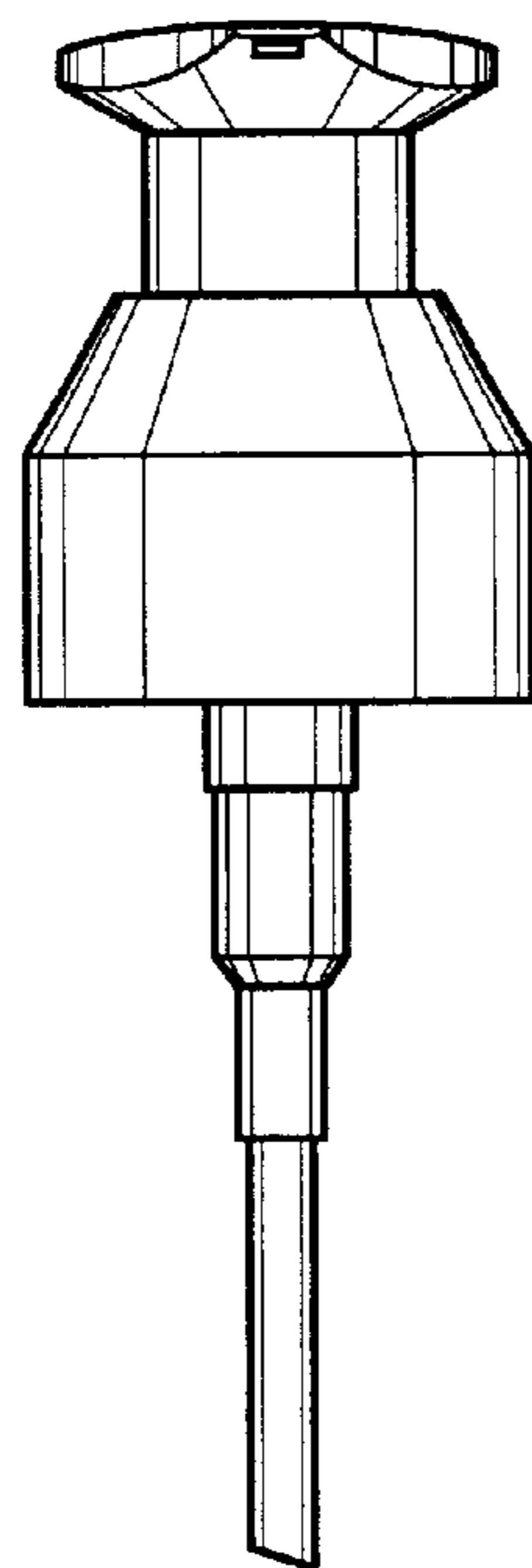


FIG. 5

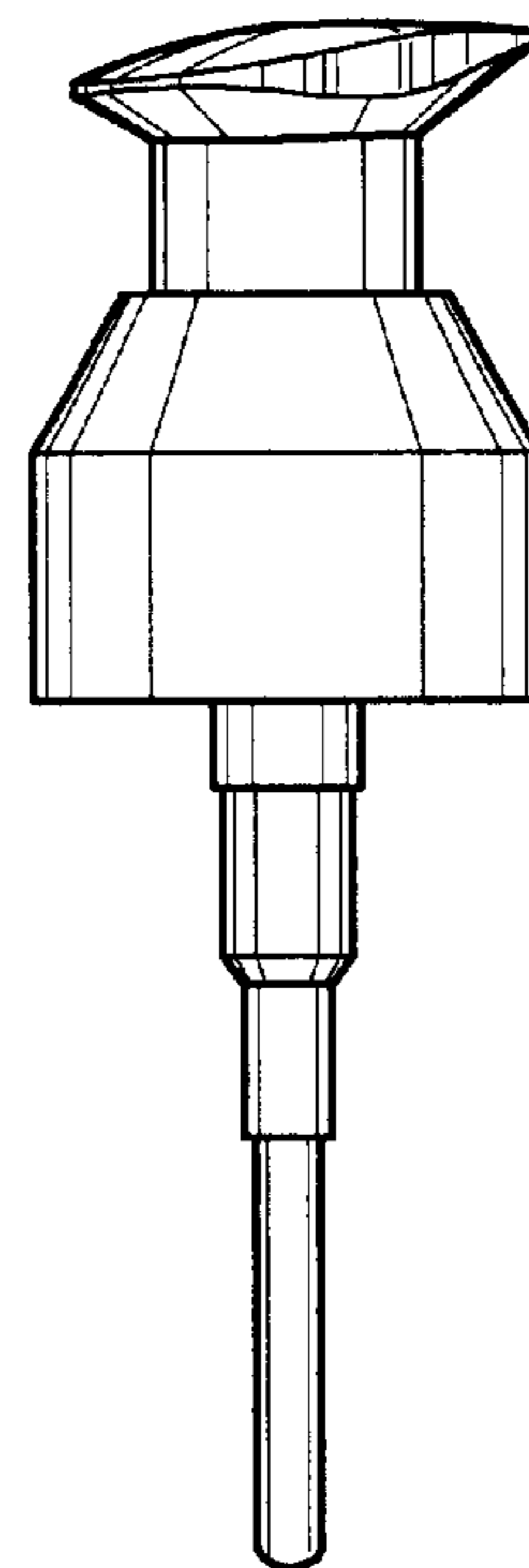


FIG. 6