

US00D507484S

(12) **United States Design Patent**  
**Kumakura et al.**

(10) **Patent No.:** **US D507,484 S**  
(45) **Date of Patent:** **\*\* Jul. 19, 2005**

(54) **CONTAINER FOR DRY BATTERIES**

(75) Inventors: **Katsuhiko Kumakura**, Kyoto (JP);  
**Futoshi Tada**, Osaka (JP); **Yoshikazu**  
**Yukami**, Yao (JP)

(73) Assignee: **Matsushita Electric Industrial Co.,**  
**Ltd.**, Osaka (JP)

(\*\*) **Term:** **14 Years**

(21) **Appl. No.:** **29/200,731**

(22) **Filed:** **Mar. 2, 2004**

(30) **Foreign Application Priority Data**

Sep. 10, 2003 (JP) ..... 2003-026440

(51) **LOC (8) Cl.** ..... **09-03**

(52) **U.S. Cl.** ..... **D9/430; D9/418**

(58) **Field of Search** ..... D9/414-418, 430-433,  
D9/423, 734; D7/401.1, 589, 590; 206/461-471,  
703-705, 806, 758, 761-765; 229/120.1,  
122; 221/305

(56) **References Cited**

**U.S. PATENT DOCUMENTS**

- D321,134 S \* 10/1991 Toinet ..... D9/415
- D333,781 S \* 3/1993 Kobel ..... D9/734
- D403,576 S \* 1/1999 Weiss ..... D9/734
- D423,344 S 4/2000 Kumakura et al.
- D423,928 S 5/2000 Kumakura et al.
- D425,415 S 5/2000 Kumakura et al.
- D429,462 S 8/2000 Kumakura et al.
- D429,637 S 8/2000 Kumakura et al.

- D443,204 S \* 6/2001 Garrant et al. .... D9/415
- D479,125 S 9/2003 Kumakura et al.
- D479,126 S 9/2003 Kumakura et al.
- D493,107 S \* 7/2004 Bergne ..... D9/432

**FOREIGN PATENT DOCUMENTS**

JP 60-162365 10/1985

\* cited by examiner

*Primary Examiner*—Stella Reid

*Assistant Examiner*—Mark A. Goodwin

(74) *Attorney, Agent, or Firm*—Brinks Hofer Gilson & Lione

(57) **CLAIM**

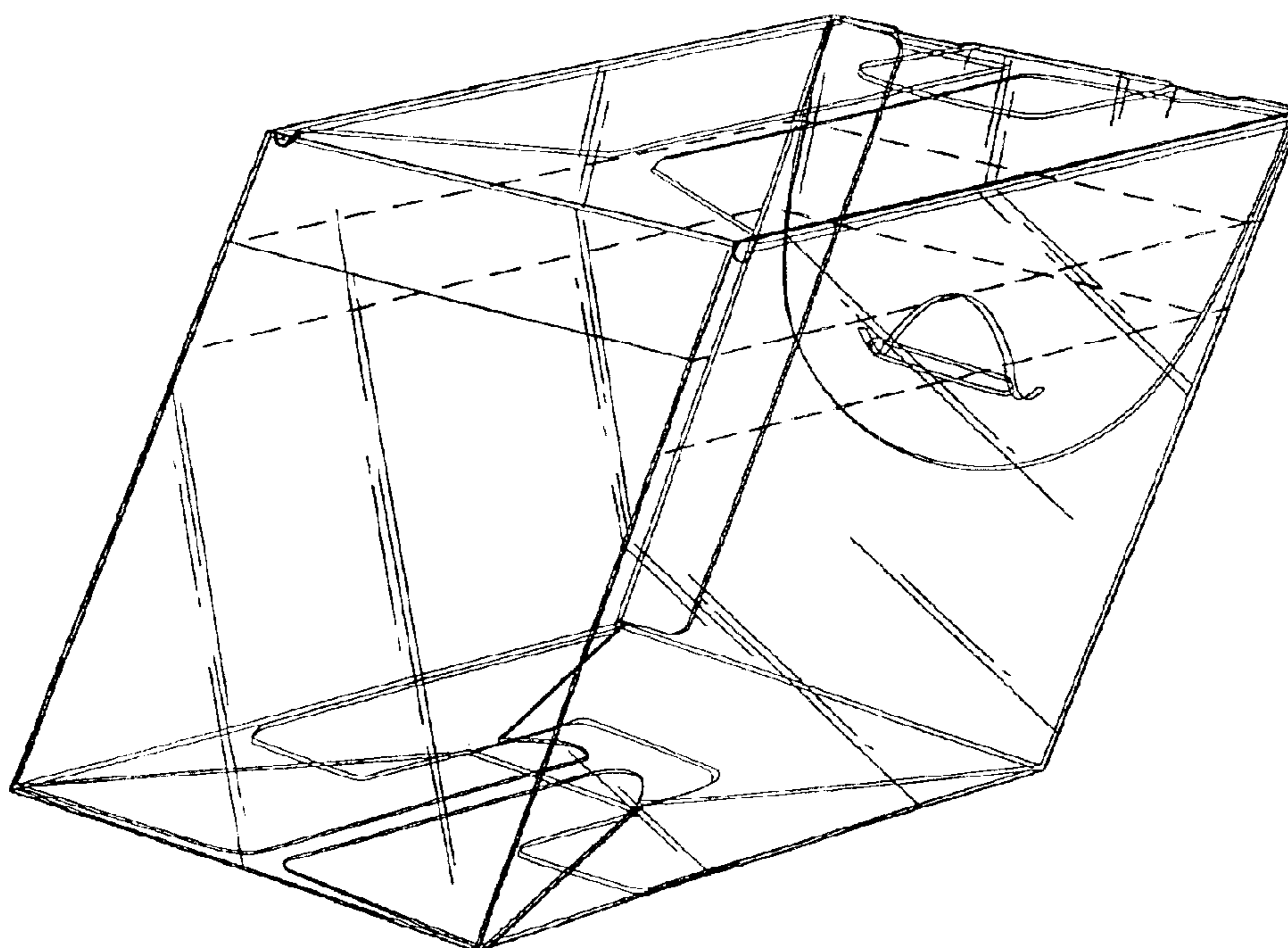
We claim the ornamental design for a container for dry batteries, as shown and described.

**DESCRIPTION**

FIG. 1 is a top perspective view of a container for dry batteries of the present invention;  
FIG. 2 is a front view thereof;  
FIG. 3 is a first side view thereof;  
FIG. 4 is a second side view thereof;  
FIG. 5 is a rear view thereof;  
FIG. 6 is a top view thereof; and,  
FIG. 7 is a bottom view thereof.

The ornamental design which is claimed is shown in solid lines in the drawings. Any broken lines in the drawings are for illustrative purposes only and form no part of the claimed design.

**1 Claim, 4 Drawing Sheets**



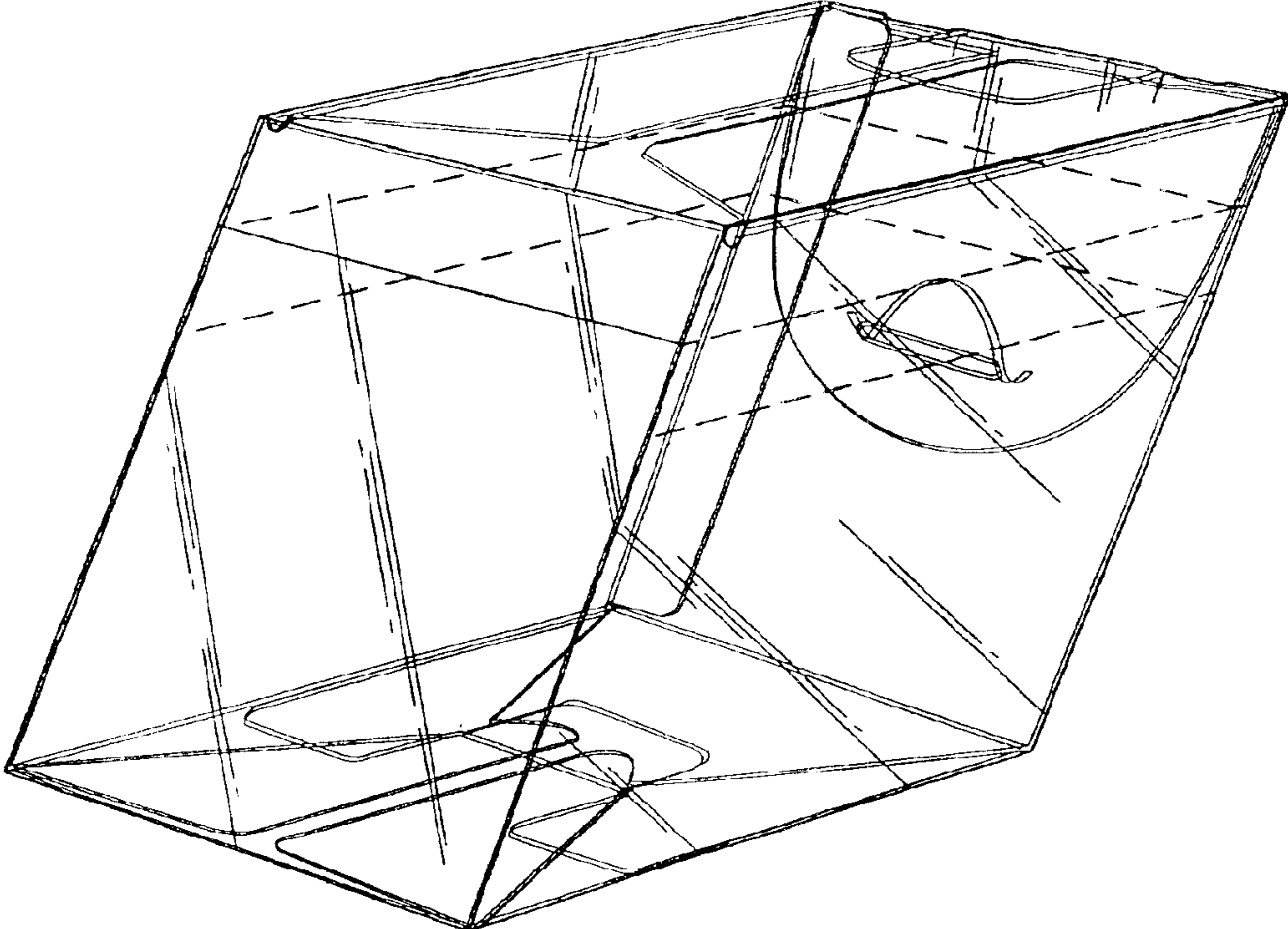


FIG. 1

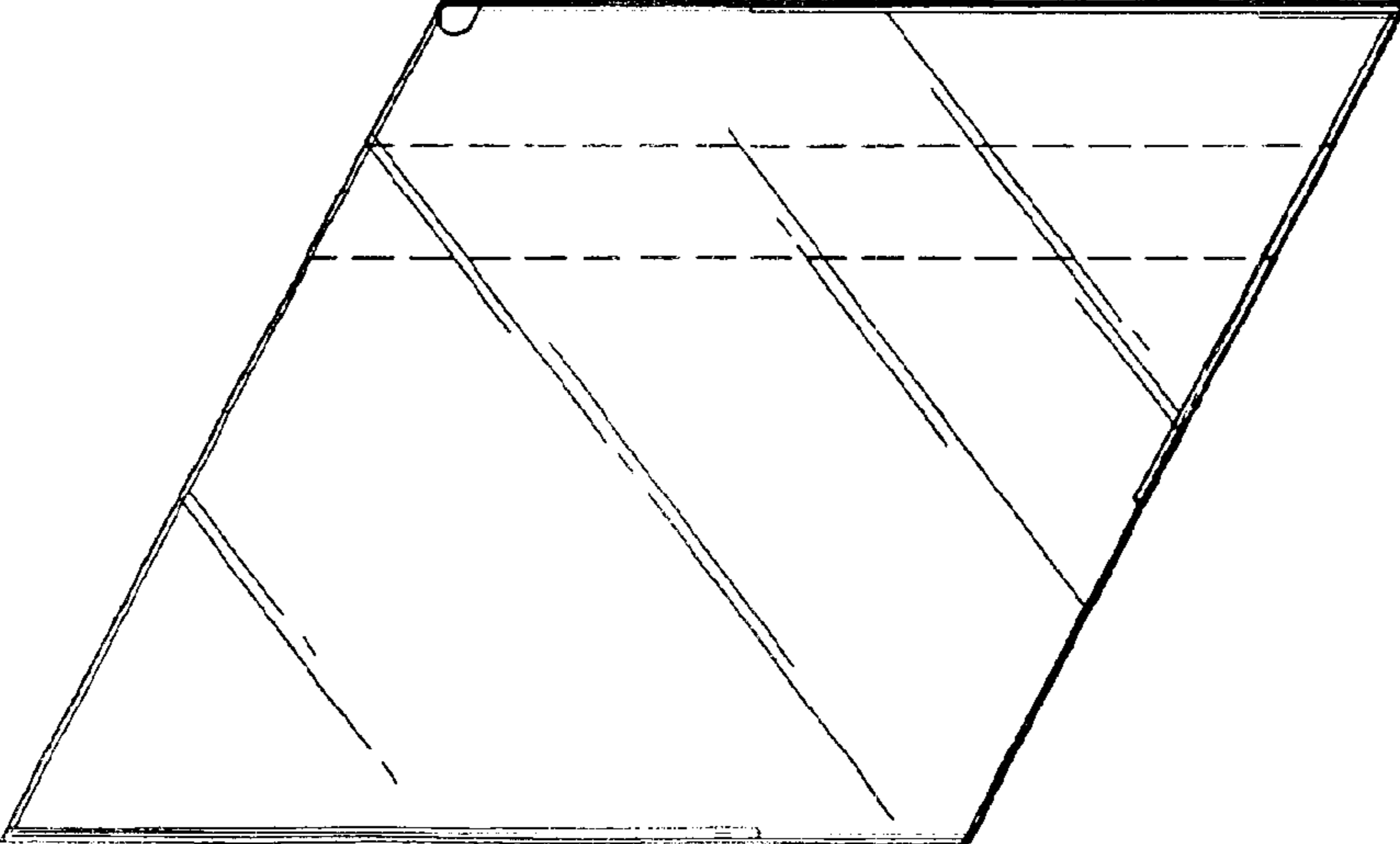


FIG. 2

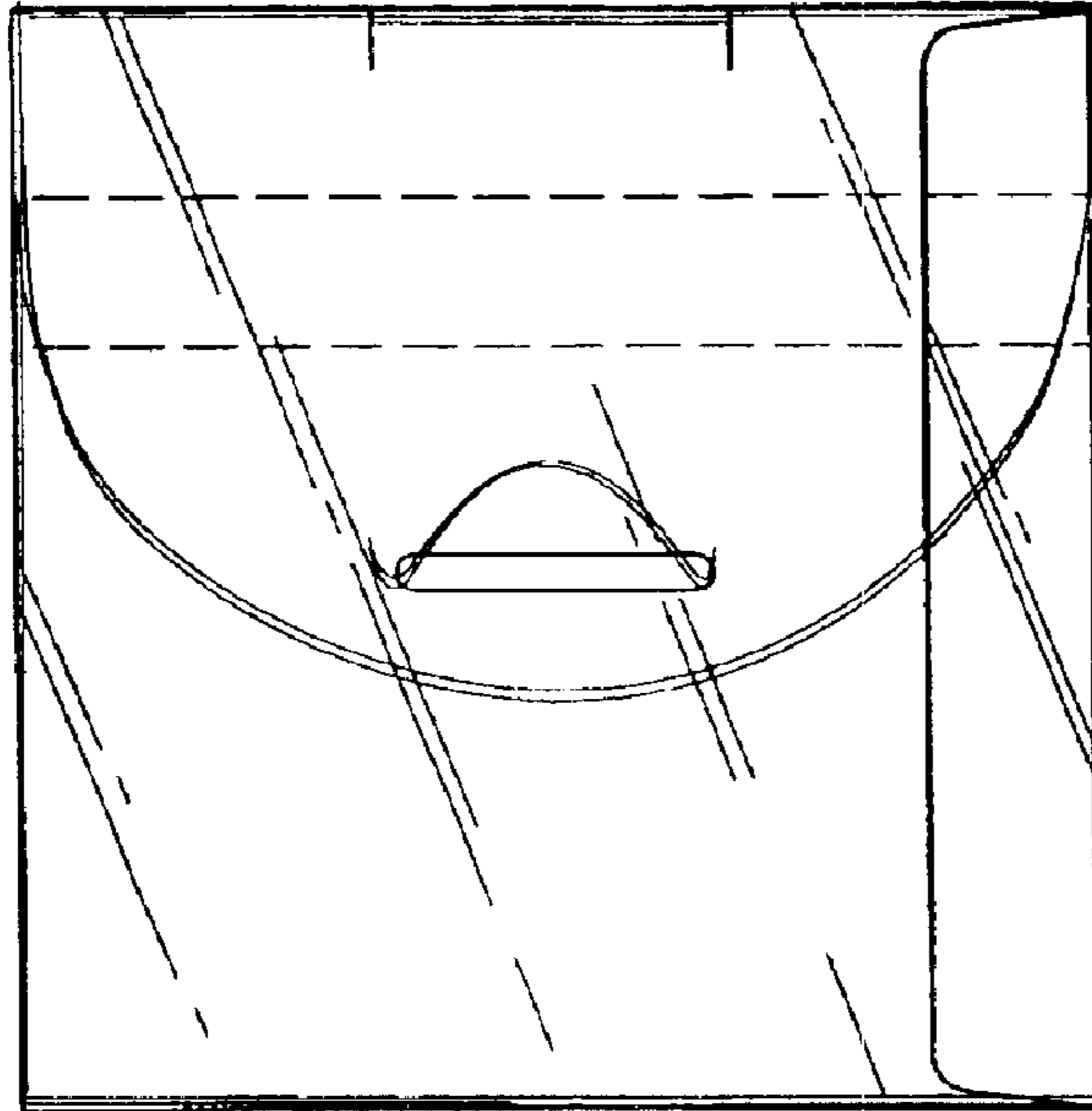


FIG. 3

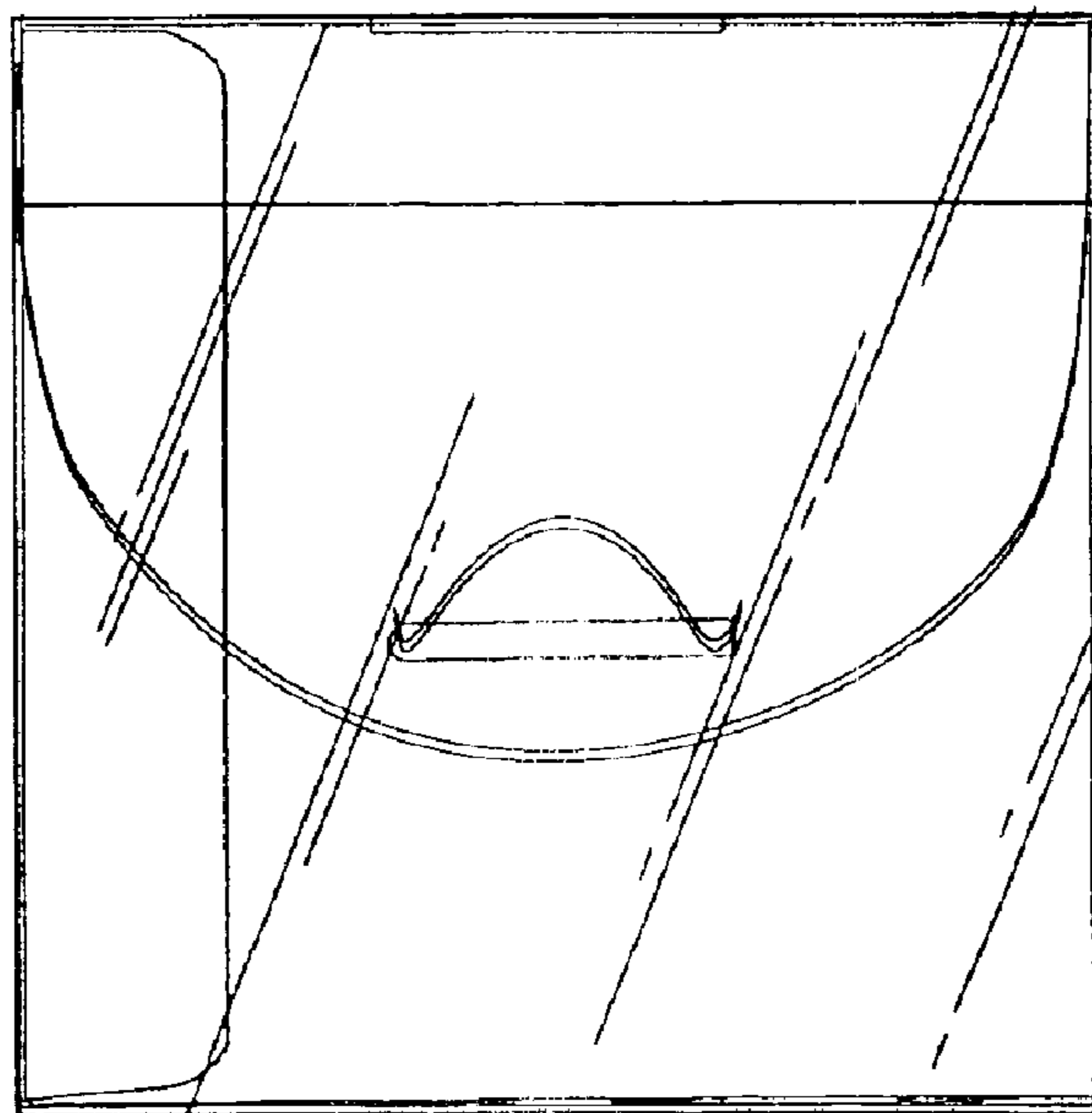


FIG. 4

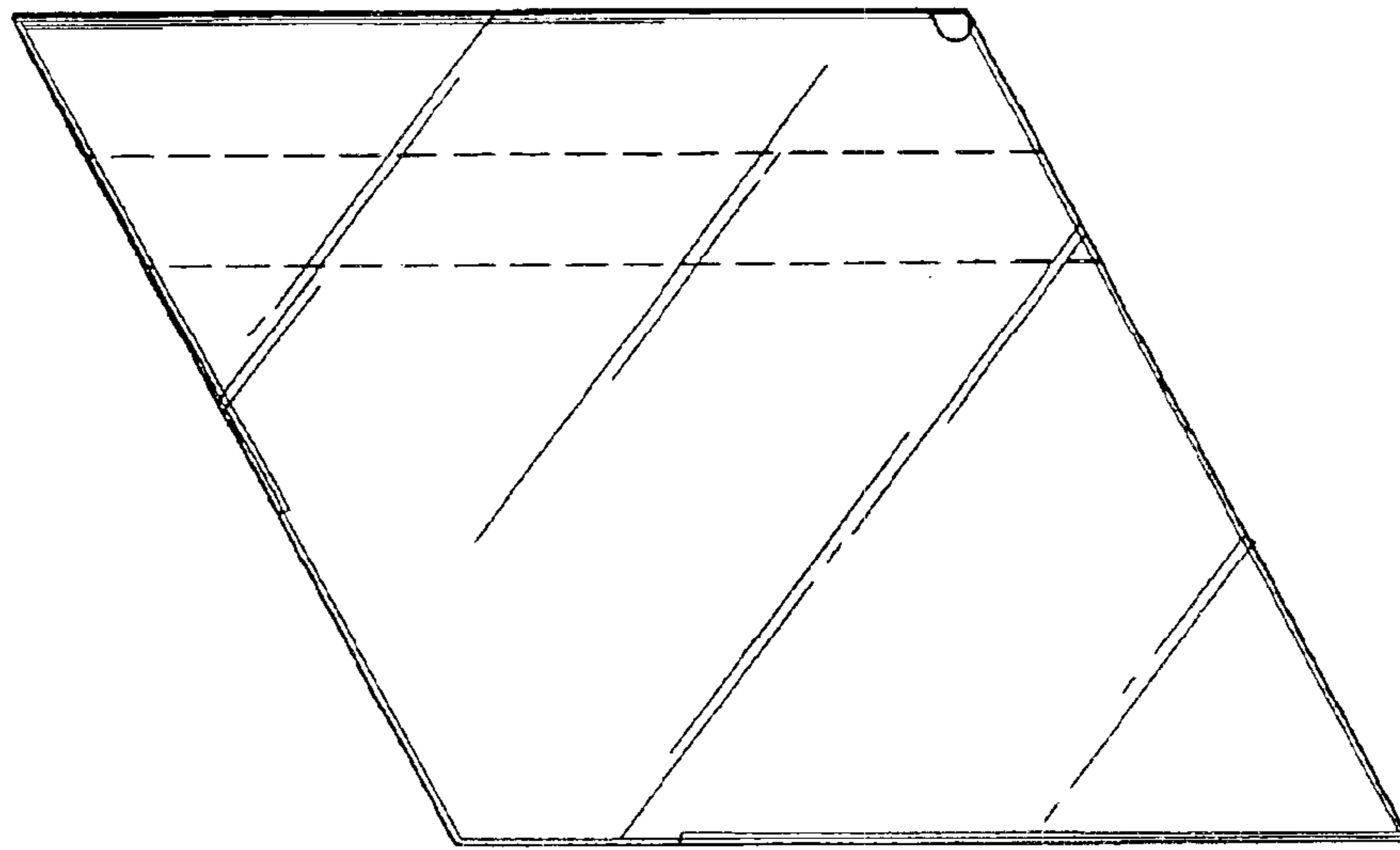


FIG. 5

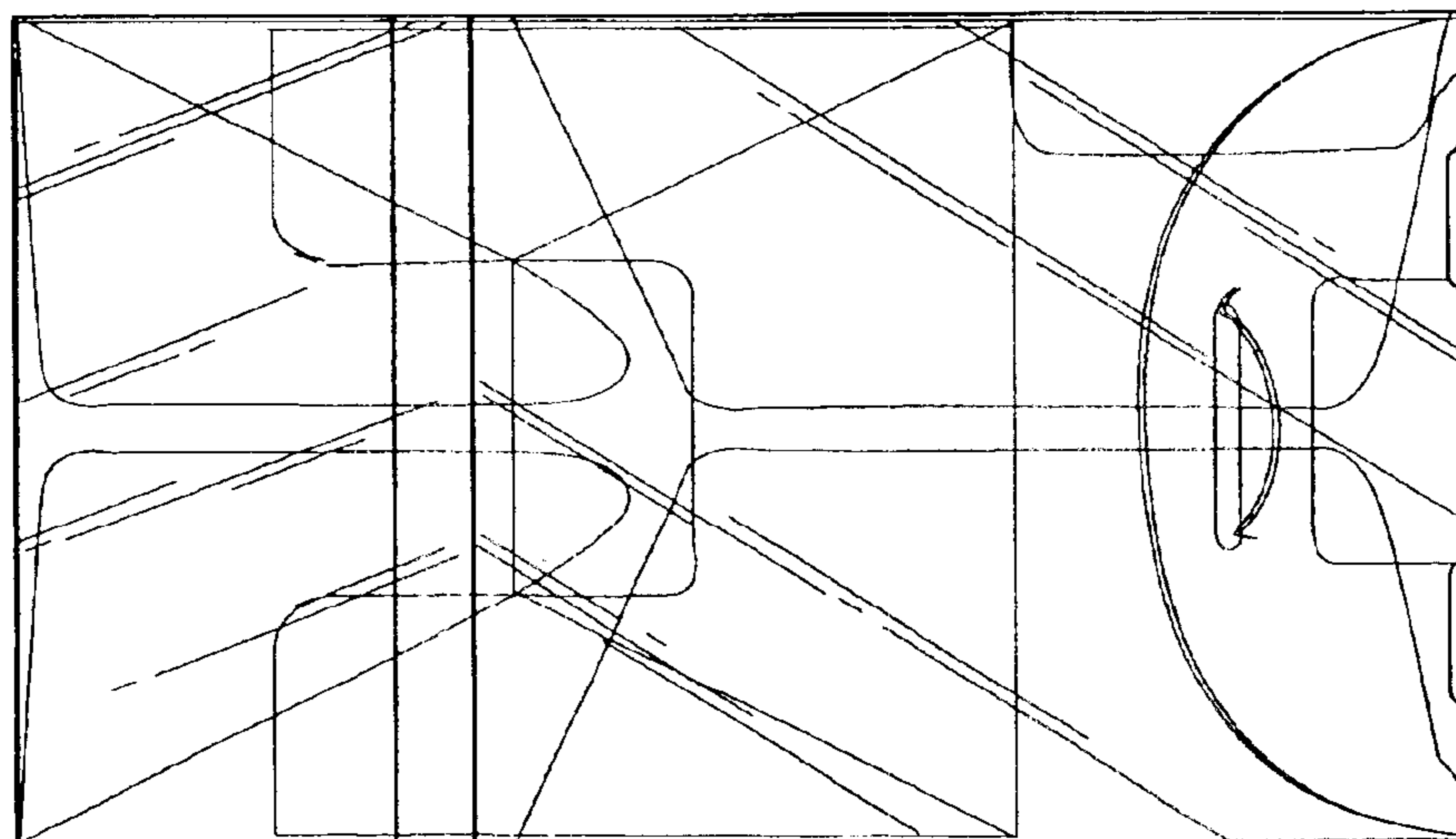


FIG. 6

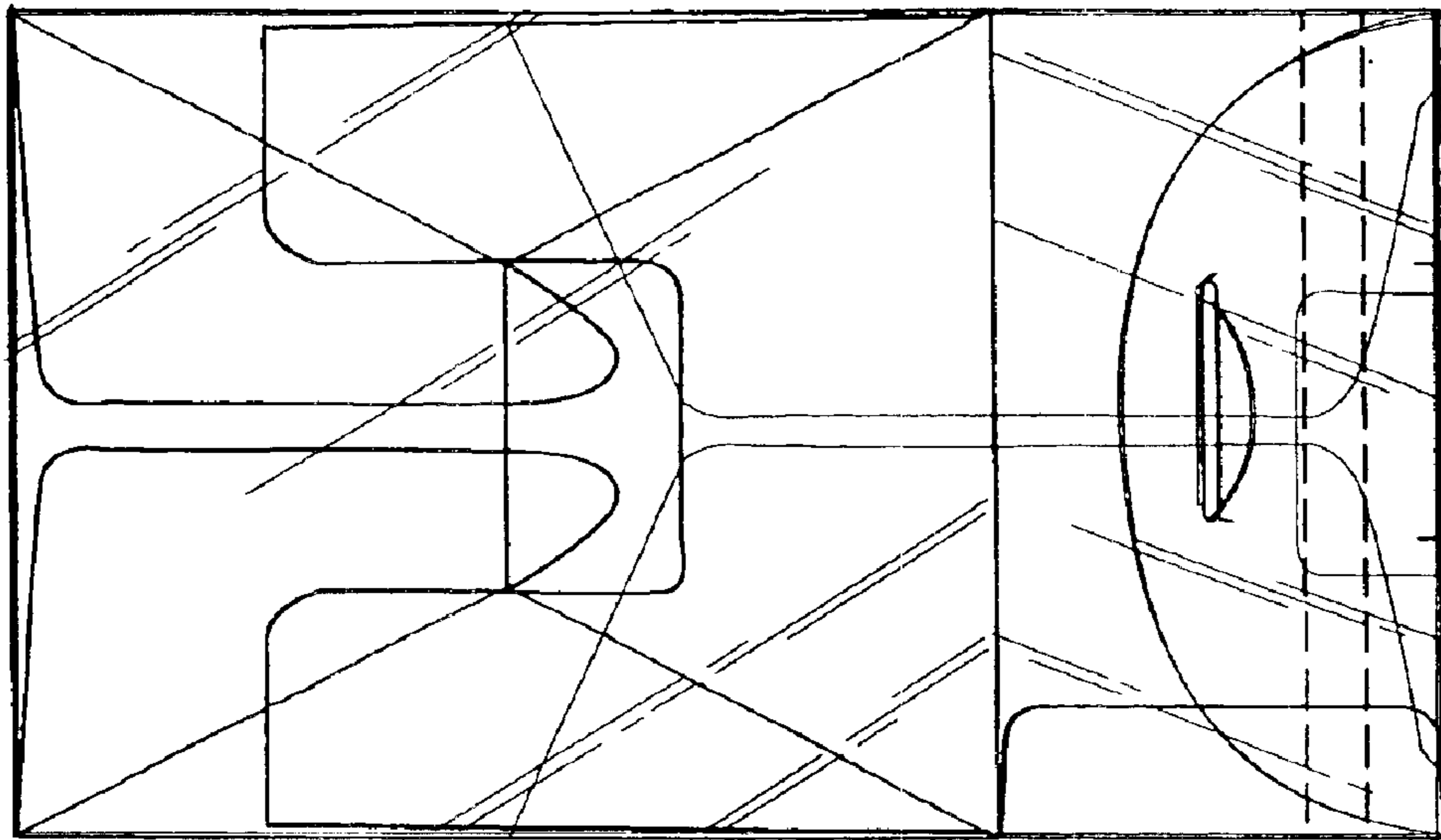


FIG. 7