

US00D507482S

(12) **United States Design Patent**
Kwon

(10) **Patent No.:** **US D507,482 S**
(45) **Date of Patent:** **** Jul. 19, 2005**

(54) **SET OF TOOLS FOR SPECTACLES AND PACKAGING**

6,315,119 B1 * 11/2001 Lee 206/349
D459,223 S * 6/2002 Lai D9/418
6,533,410 B1 * 3/2003 Shefler et al. 351/42
D485,172 S * 1/2004 Defino, Jr. D9/415

(76) Inventor: **Hyuk Soo Kwon**, 104-201, Jukong Apt.
3-danji, #259, Kuseong-dong,
Cheonan-city, Chungcheongnam-do,
330-060 (KR)

* cited by examiner

(**) Term: **14 Years**

Primary Examiner—Prabhakar Deshmukh
(74) *Attorney, Agent, or Firm*—F. Chau & Associates, LLC

(21) Appl. No.: **29/192,271**

(22) Filed: **Oct. 21, 2003**

(57) **CLAIM**

I claim the ornamental design for a set of tools for spectacles and packaging, as shown and described.

(30) **Foreign Application Priority Data**

Jul. 15, 2003 (KR) 30-2003-0019959

DESCRIPTION

(51) **LOC (8) Cl.** **09-07**

(52) **U.S. Cl.** **D9/415**

(58) **Field of Search** D9/414, 415, 418,
D9/457, 346, 337; D3/263–266; 206/461–471,
806, 216, 229, 230, 234, 316.1, 5, 5.1,
6, 372–379, 349

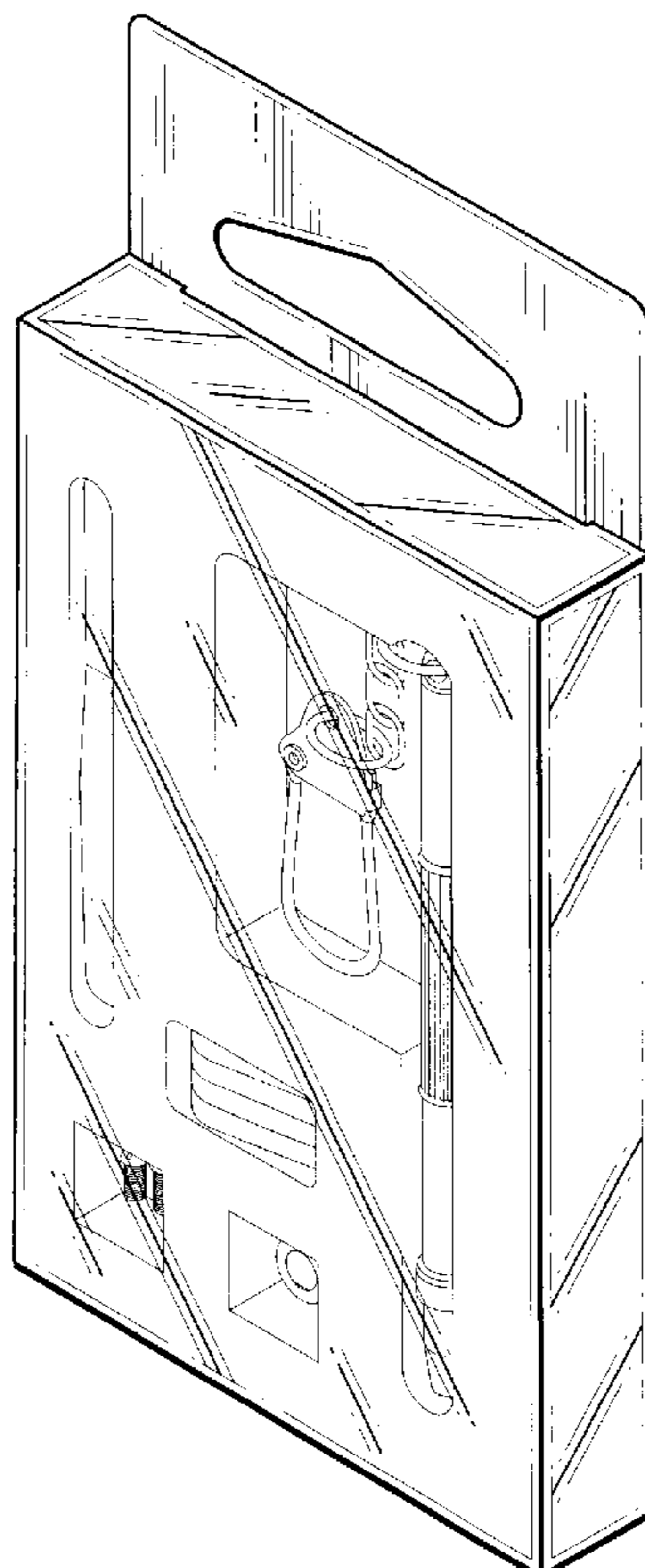
FIG. 1 is a perspective view of a set of tools for spectacles and packaging in accordance with the present invention;
FIG. 2 is a front view thereof;
FIG. 3 is a rear view thereof;
FIG. 4 is a left-side view thereof;
FIG. 5 is a right-side view thereof;
FIG. 6 is a top plan view thereof;
FIG. 7 is a bottom plan view thereof;
FIG. 8 is a perspective view of a set of tools for spectacles and packaging, the tools being shown apart from corresponding portions of a housing; and,
FIG. 9 is a perspective view of one of the tools, the tool being shown with components apart from corresponding attachments.

(56) **References Cited**

U.S. PATENT DOCUMENTS

2,479,472 A * 8/1949 Coplon 206/37
4,408,693 A * 10/1983 Brewaeys et al. 206/461
D329,601 S * 9/1992 Samelson D9/418
5,602,612 A * 2/1997 Angeli et al. 396/535
5,711,421 A * 1/1998 Guo 206/223

1 Claim, 7 Drawing Sheets



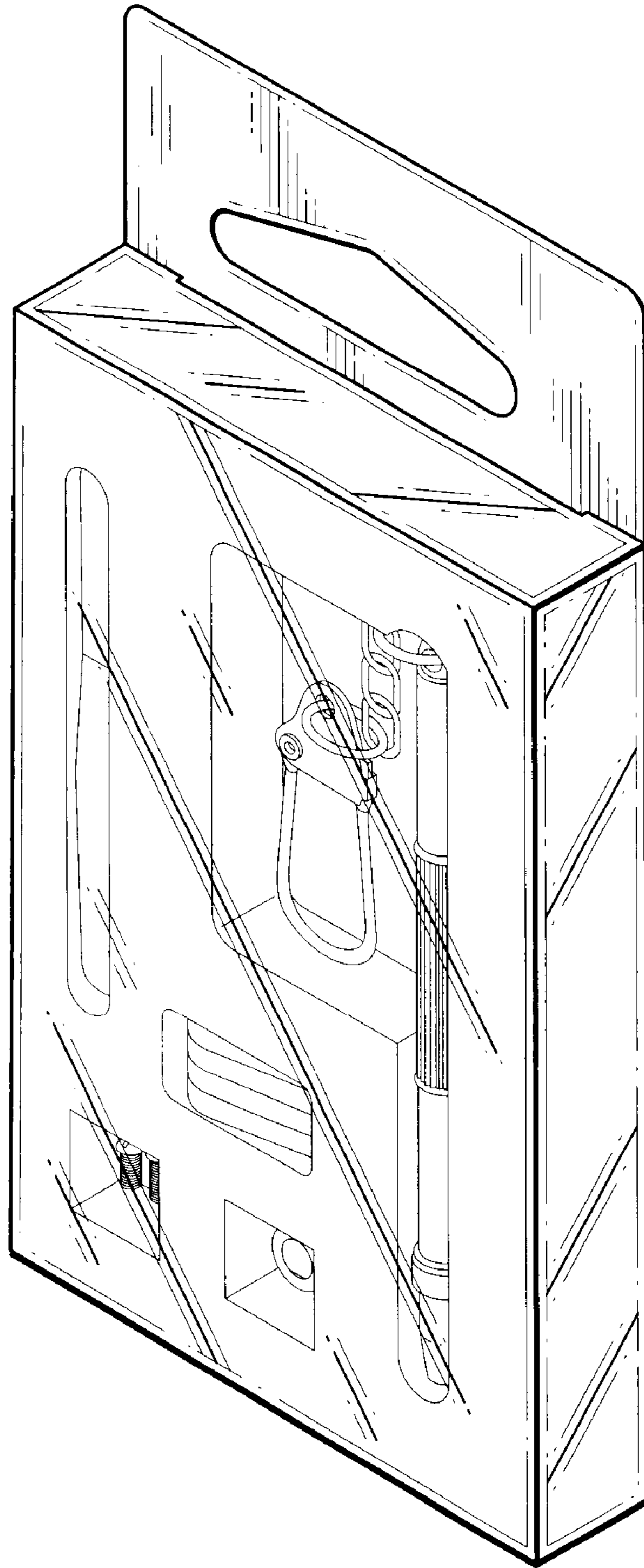


FIG. 1

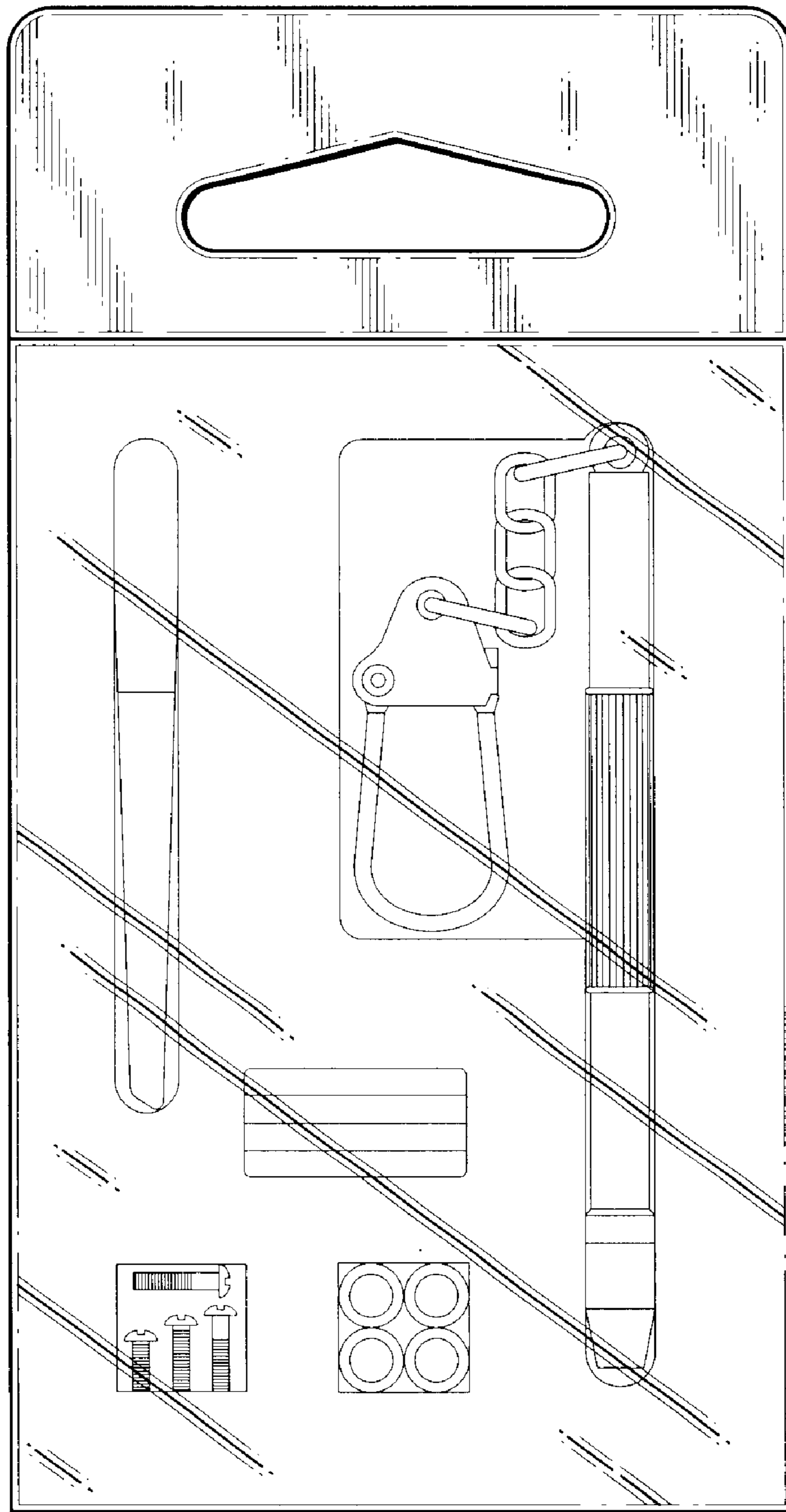


FIG. 2

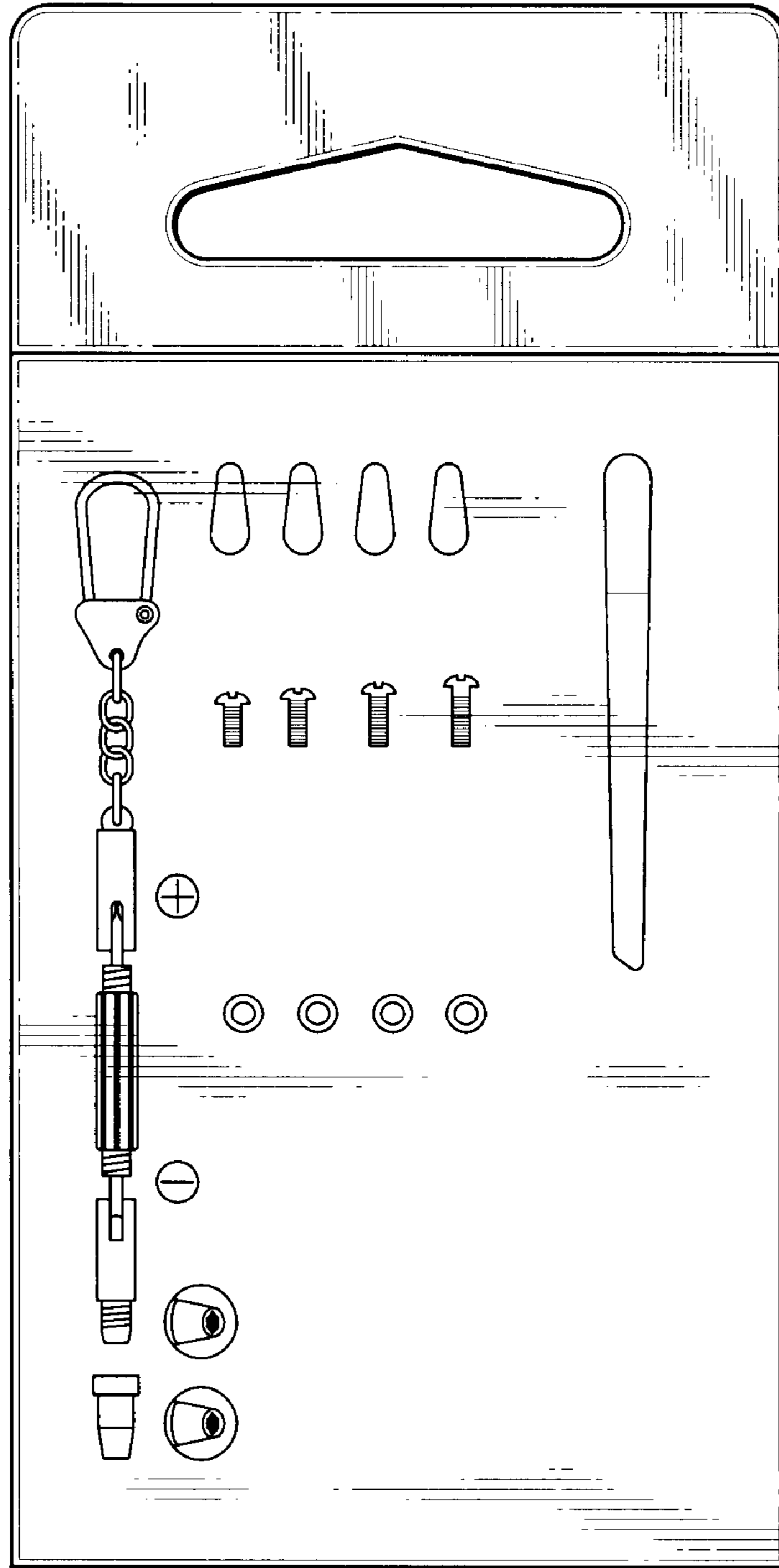


FIG. 3

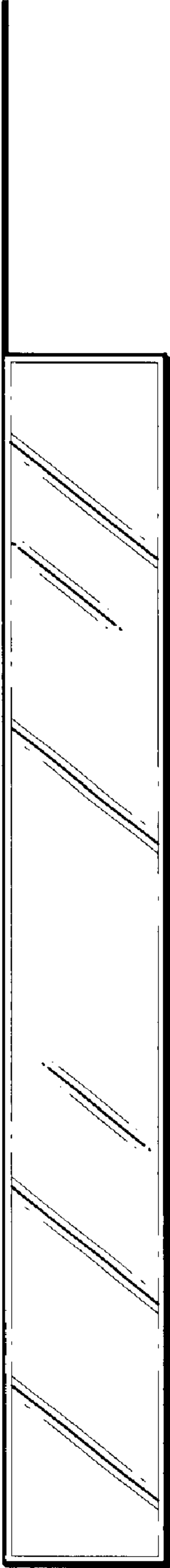


FIG. 4

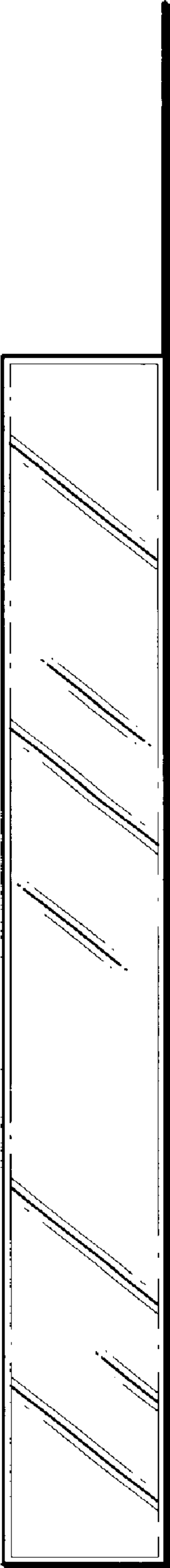


FIG. 5



FIG. 6



FIG. 7

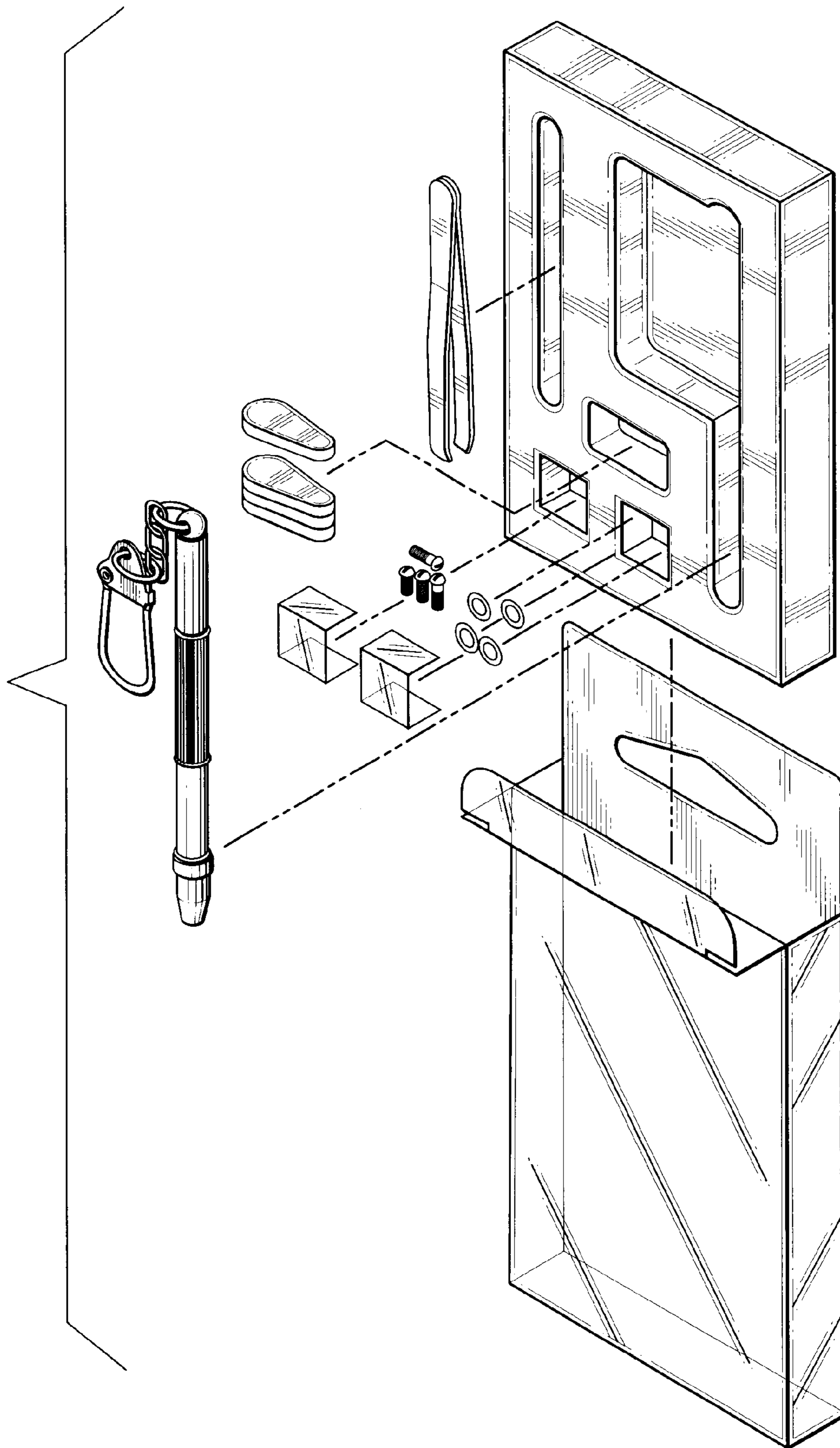


FIG. 8

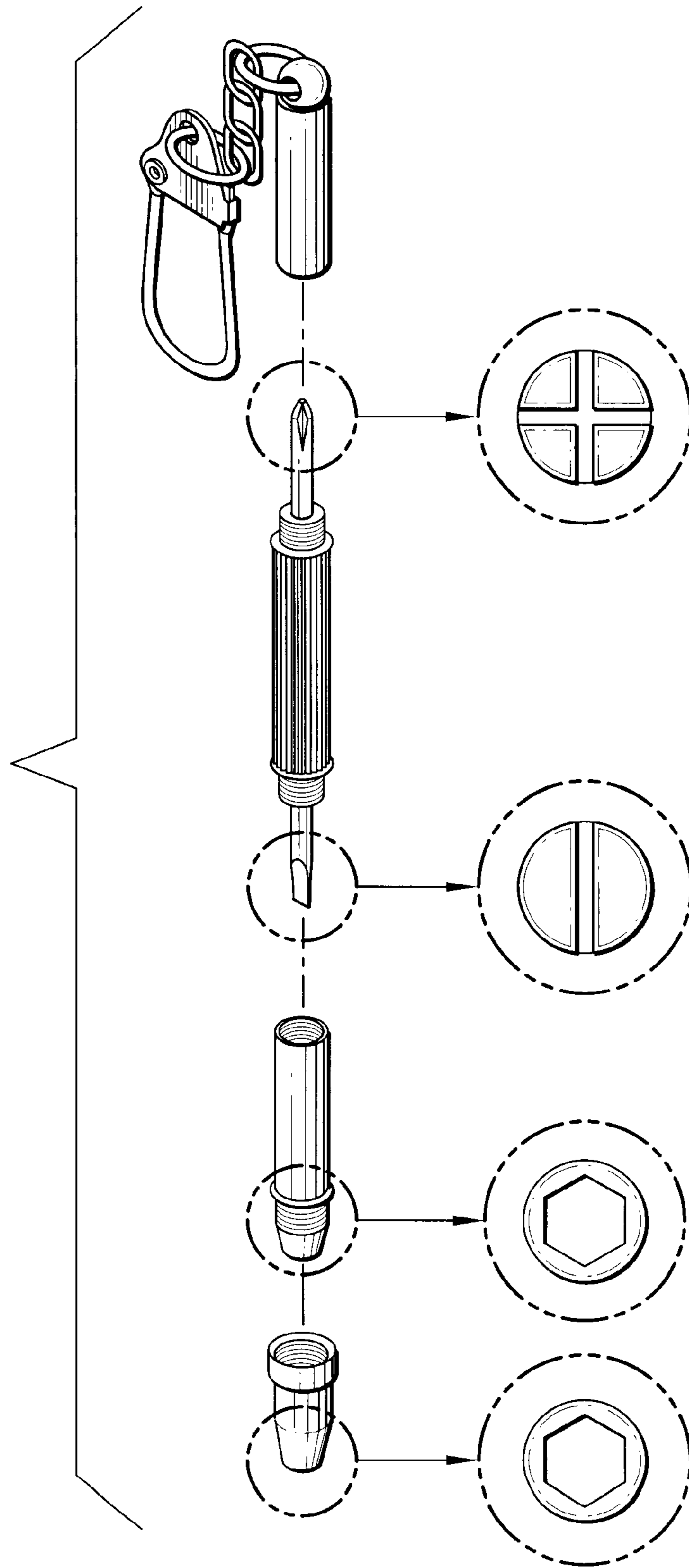


FIG. 9