

US00D507481S

(12) **United States Design Patent** (10) **Patent No.:** **US D507,481 S**  
**Blake et al.** (45) **Date of Patent:** **\*\* Jul. 19, 2005**

- (54) **CABLE CLIP** 5,411,228 A 5/1995 Morawa  
 D372,420 S \* 8/1996 Mendez ..... D8/383  
 (76) Inventors: **Joshua Blake**, 5600 NW. 12th Ave.,  
 Suite 306, Ft. Lauderdale, FL (US) 5,615,852 A 4/1997 Heidorn  
 33309; **Jason Cohen**, 5600 NW. 12th  
 Ave., Suite 306, Ft. Lauderdale, FL 5,639,049 A 6/1997 Jennings  
 (US) 33309 D389,732 S 1/1998 Weishaar  
 5,739,474 A 4/1998 Bradley  
 D398,218 S 9/1998 Coll  
 D400,090 S 10/1998 Coll  
 6,010,100 A 1/2000 Merritt  
 6,021,982 A 2/2000 Mangone, Jr.  
 D428,330 S 7/2000 Johnston  
 6,243,928 B1 6/2001 Powell  
 6,257,920 B1 7/2001 Finona  
 6,279,208 B1 8/2001 Gillis  
 6,378,814 B1 4/2002 Kaplan

(\*\*) **Term:** **14 Years**

(21) **Appl. No.:** **29/192,339**

(22) **Filed:** **Oct. 22, 2003**

**Related U.S. Application Data**

(62) Division of application No. 29/176,663, filed on Feb. 25, 2003, now Pat. No. Des. 484,400.

(51) **LOC (8) Cl.** ..... **08-08**

(52) **U.S. Cl.** ..... **D8/394; D8/356**

(58) **Field of Search** ..... D8/394-396, 356,  
 D8/72; 24/132 R, 132 AA, 122.6; 248/74.1-74.3

(56) **References Cited**

**U.S. PATENT DOCUMENTS**

- 4,265,420 A 5/1981 McCormick  
 D270,329 S 8/1983 Hardy  
 D284,810 S \* 7/1986 Kelemen, Sr. .... D3/315  
 4,623,102 A \* 11/1986 Hough, Jr. .... 248/68.1  
 4,637,097 A 1/1987 Secord  
 D302,655 S 8/1989 Sachs  
 4,903,920 A 2/1990 Merritt  
 D308,819 S 6/1990 Anscher  
 D329,373 S 9/1992 Kaga  
 D331,358 S 12/1992 Sachs  
 D342,013 S 12/1993 Sachs  
 D349,038 S 7/1994 Sachs

\* cited by examiner

*Primary Examiner*—Louis S. Zarfaz  
*Assistant Examiner*—John Windmuller  
 (74) *Attorney, Agent, or Firm*—Mark D. Bowen, Esq.;  
 Stearns Weaver Miller Weissler Alhadeff & Sitterson, P.A.

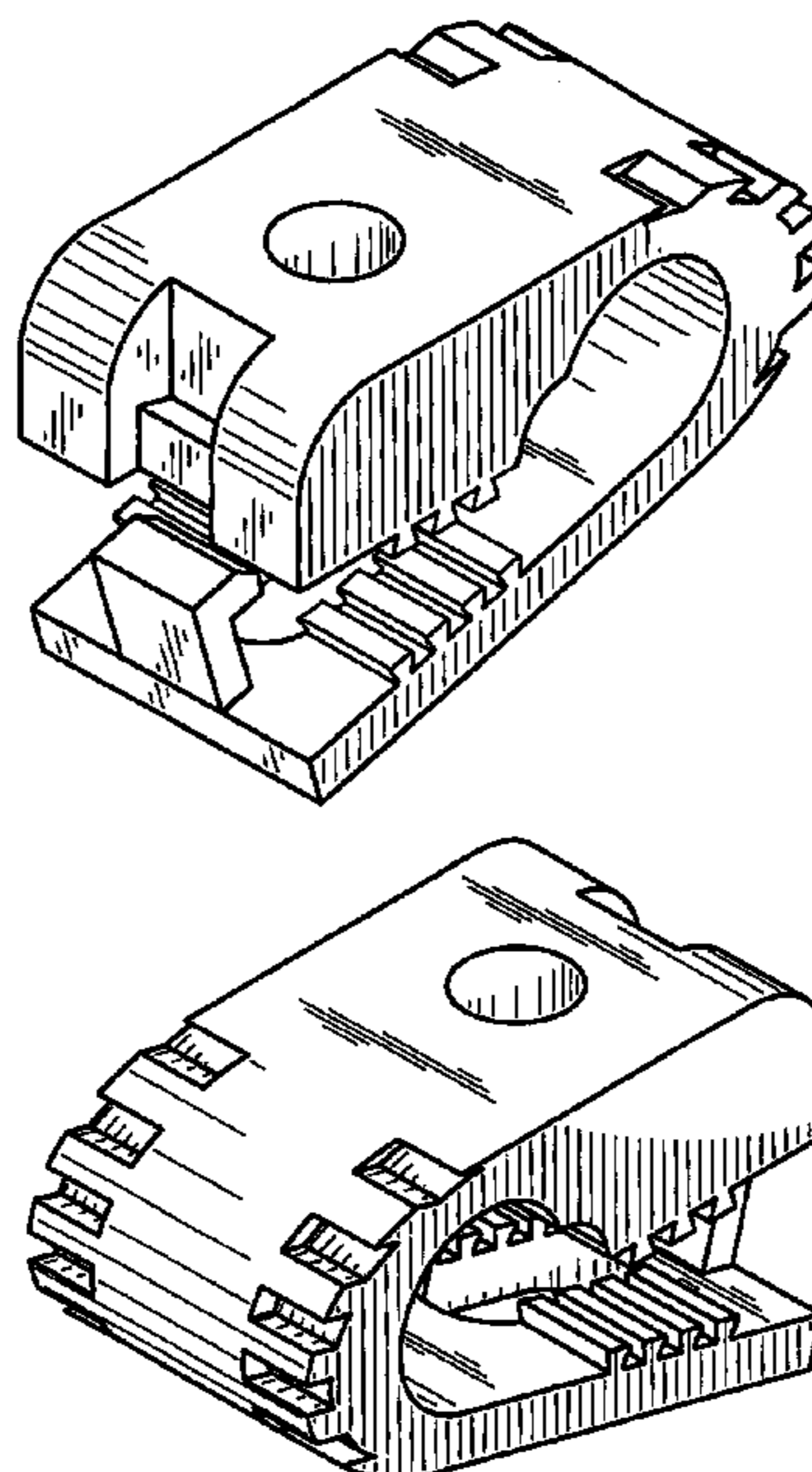
(57) **CLAIM**

The ornamental design for a cable clip, as shown and described.

**DESCRIPTION**

FIG. 1 is a front perspective view of a cable clip according to the present invention;  
 FIG. 2 is a rear perspective view thereof;  
 FIG. 3 is a side view thereof;  
 FIG. 4 is a rear view thereof;  
 FIG. 5 is a front view thereof;  
 FIG. 6 is a bottom view thereof; and,  
 FIG. 7 is a top view thereof.

**1 Claim, 3 Drawing Sheets**



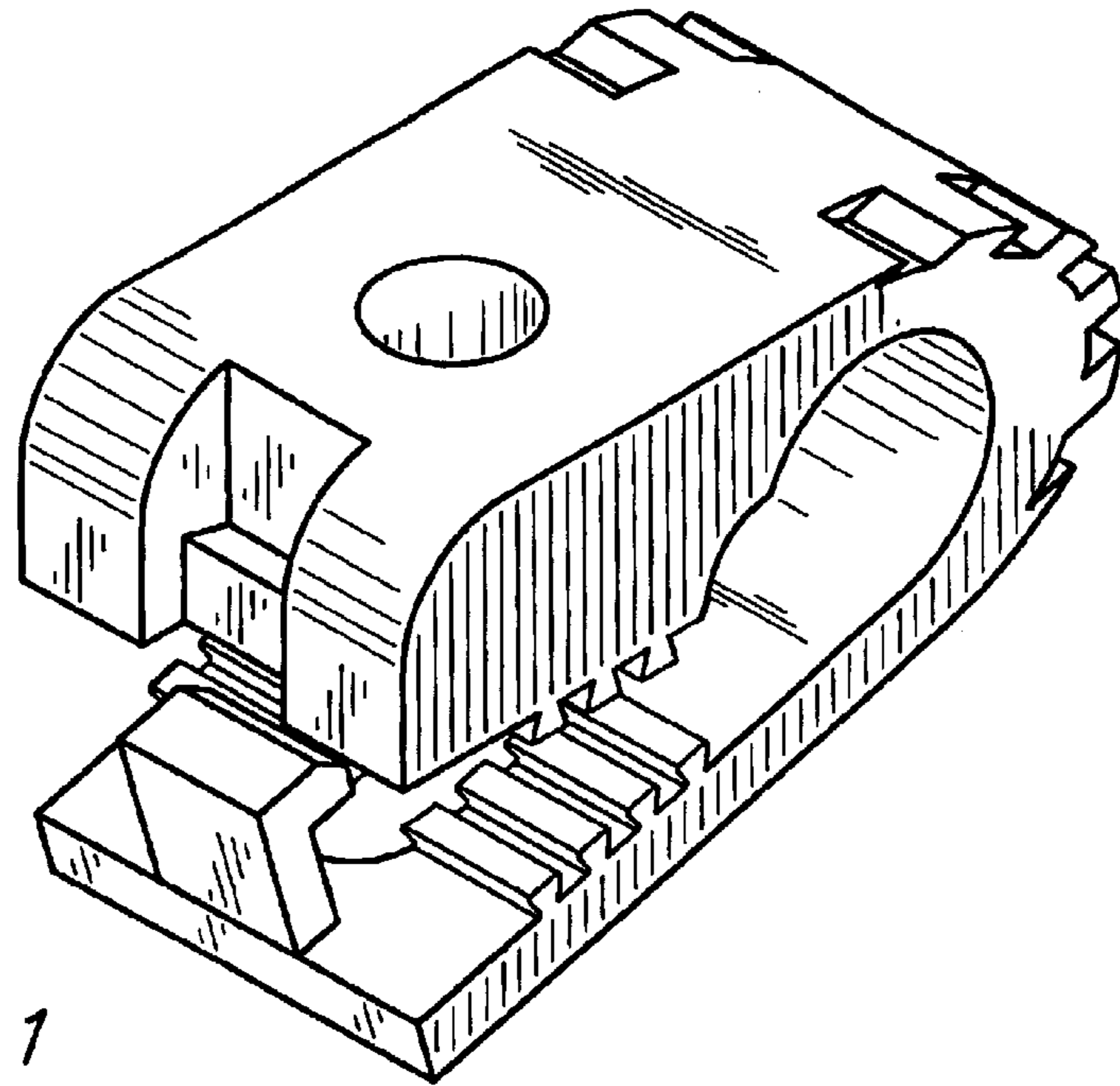


FIG. 1

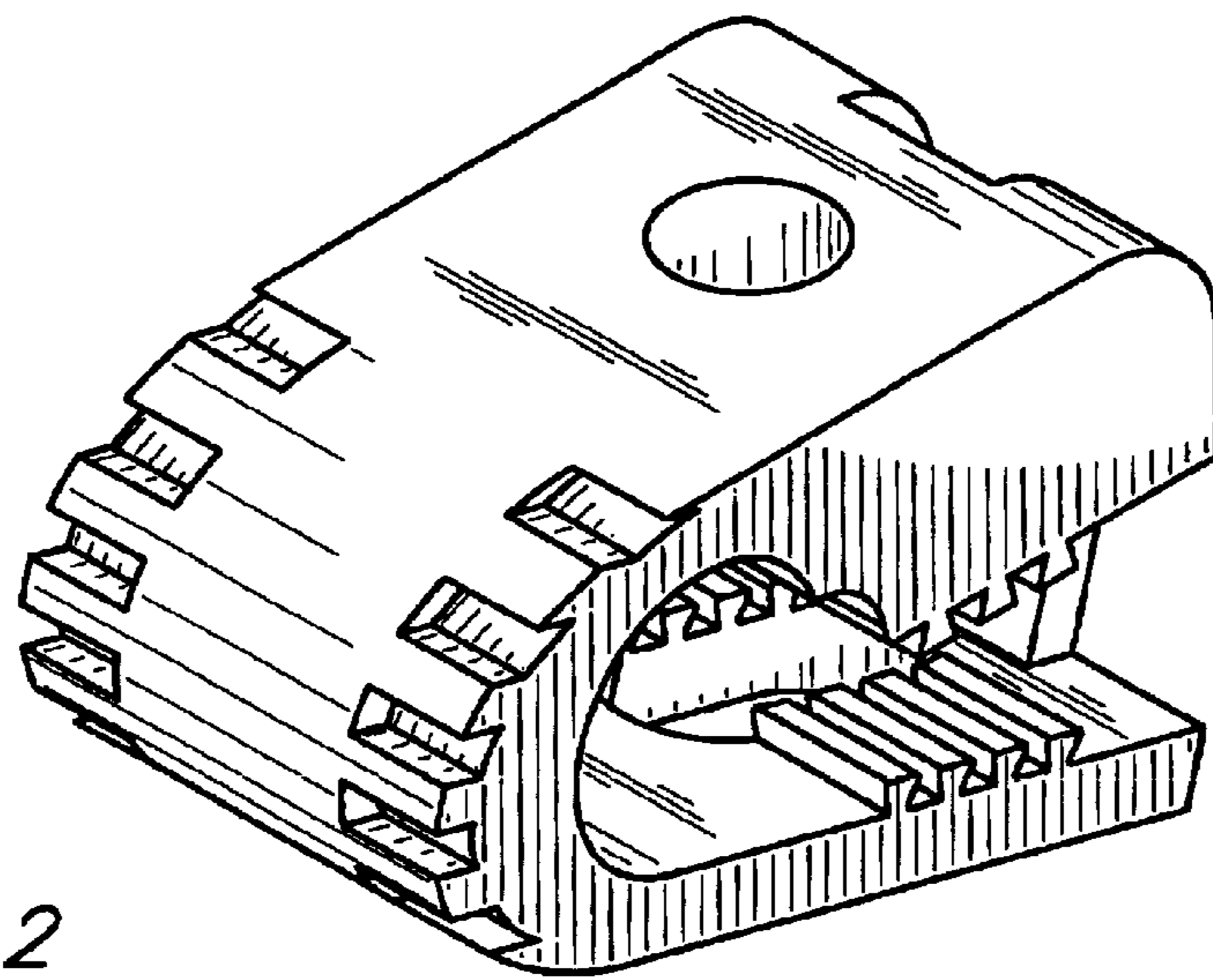


FIG. 2

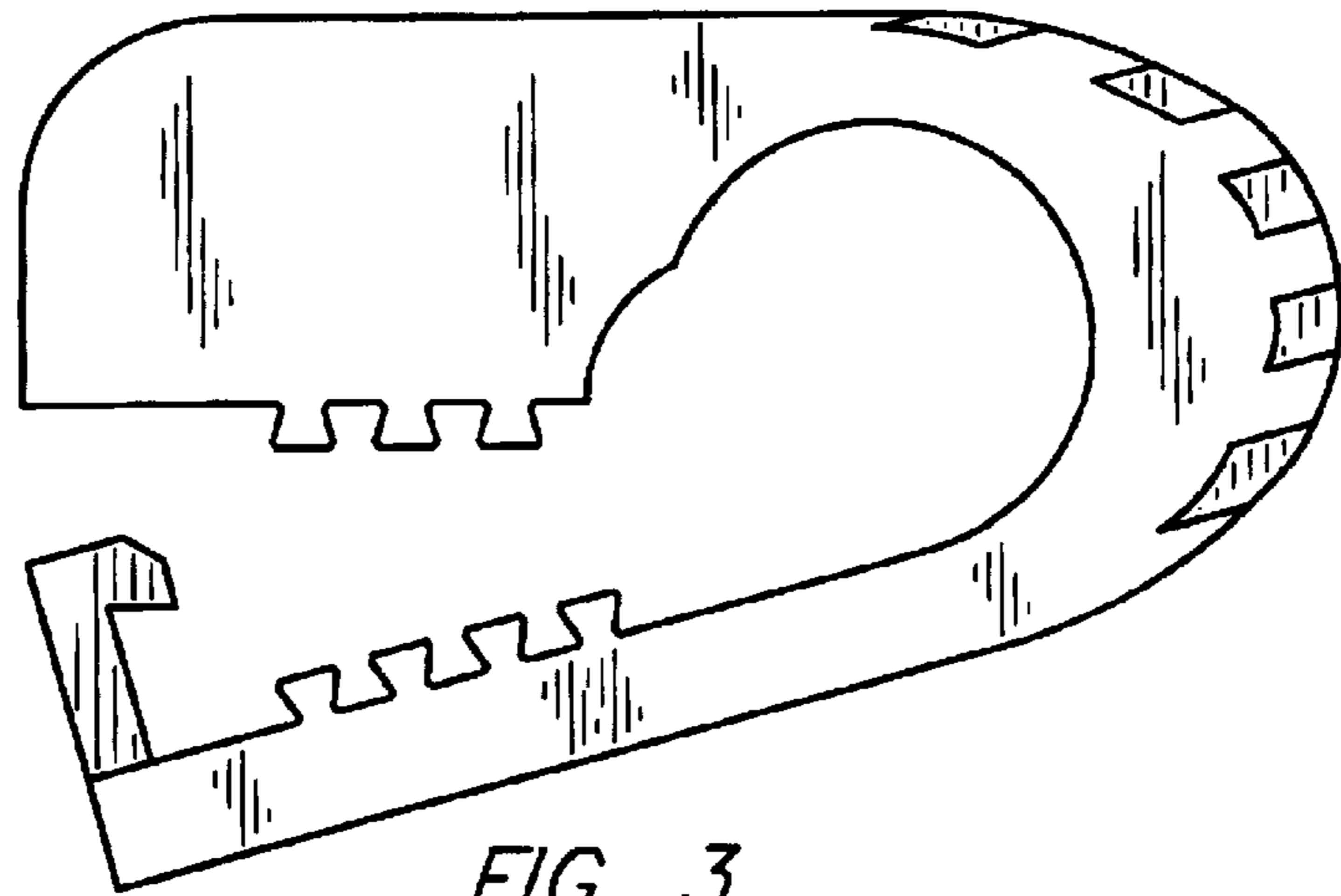


FIG. 3

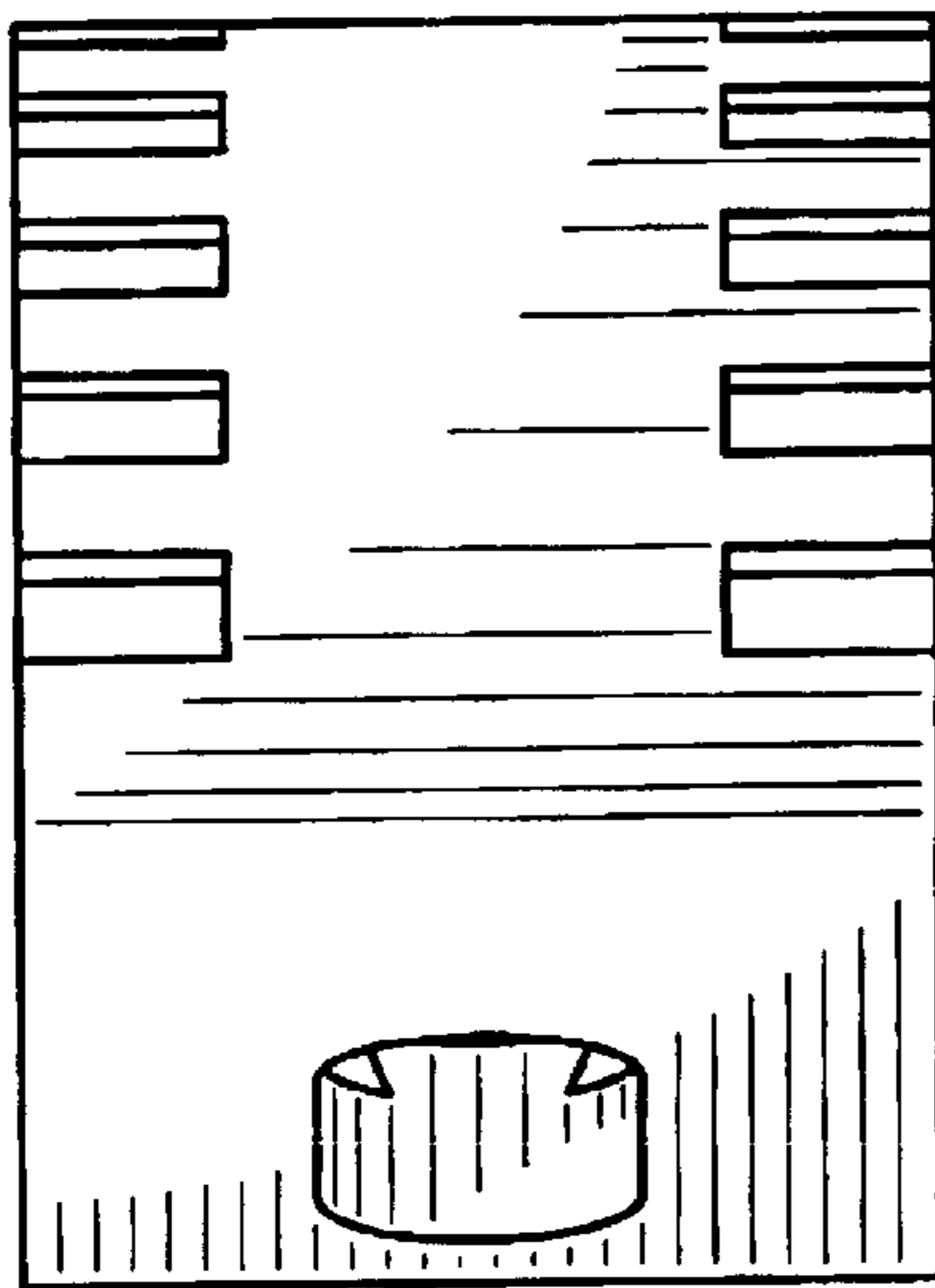


FIG. 4

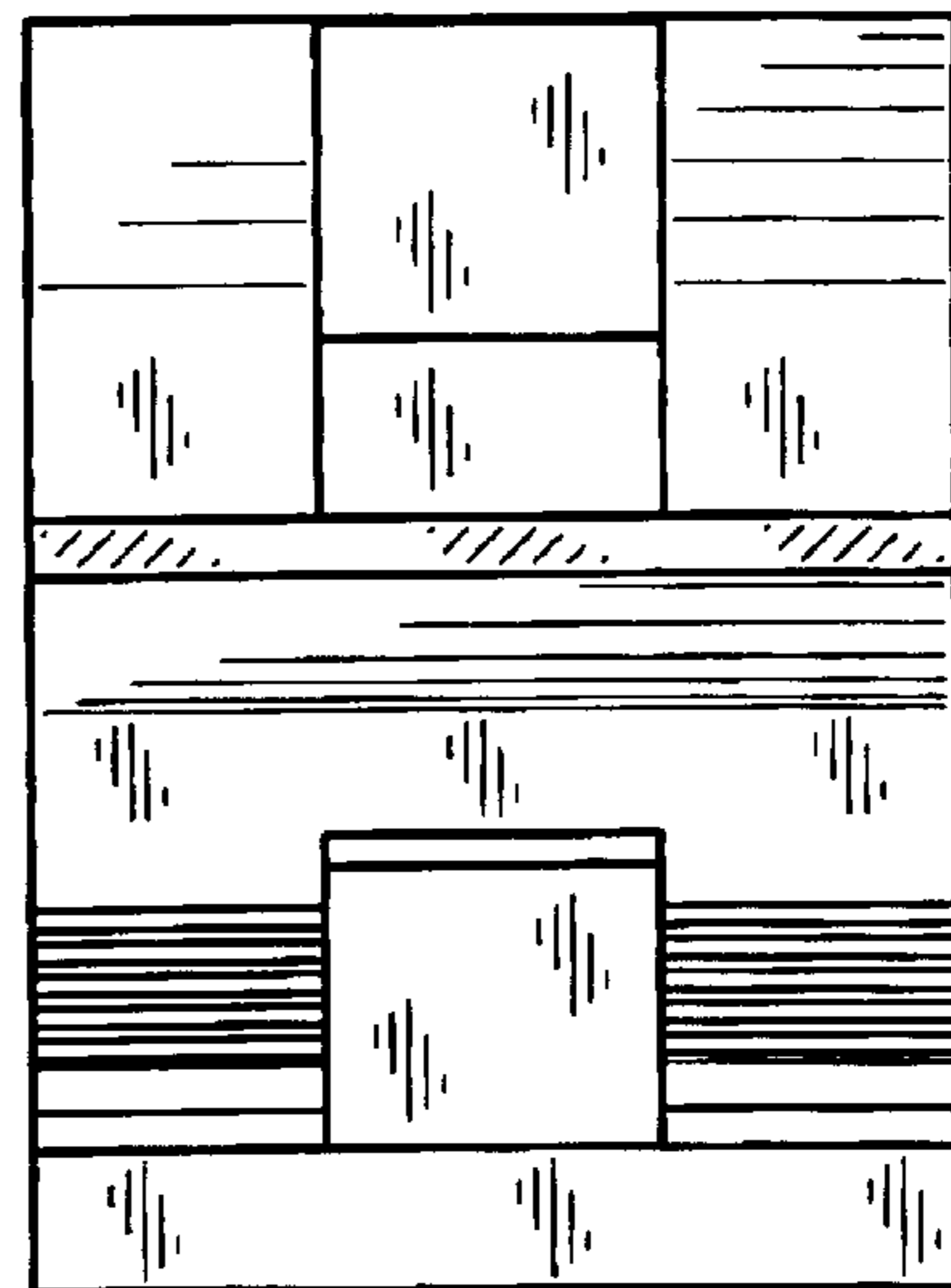


FIG. 5

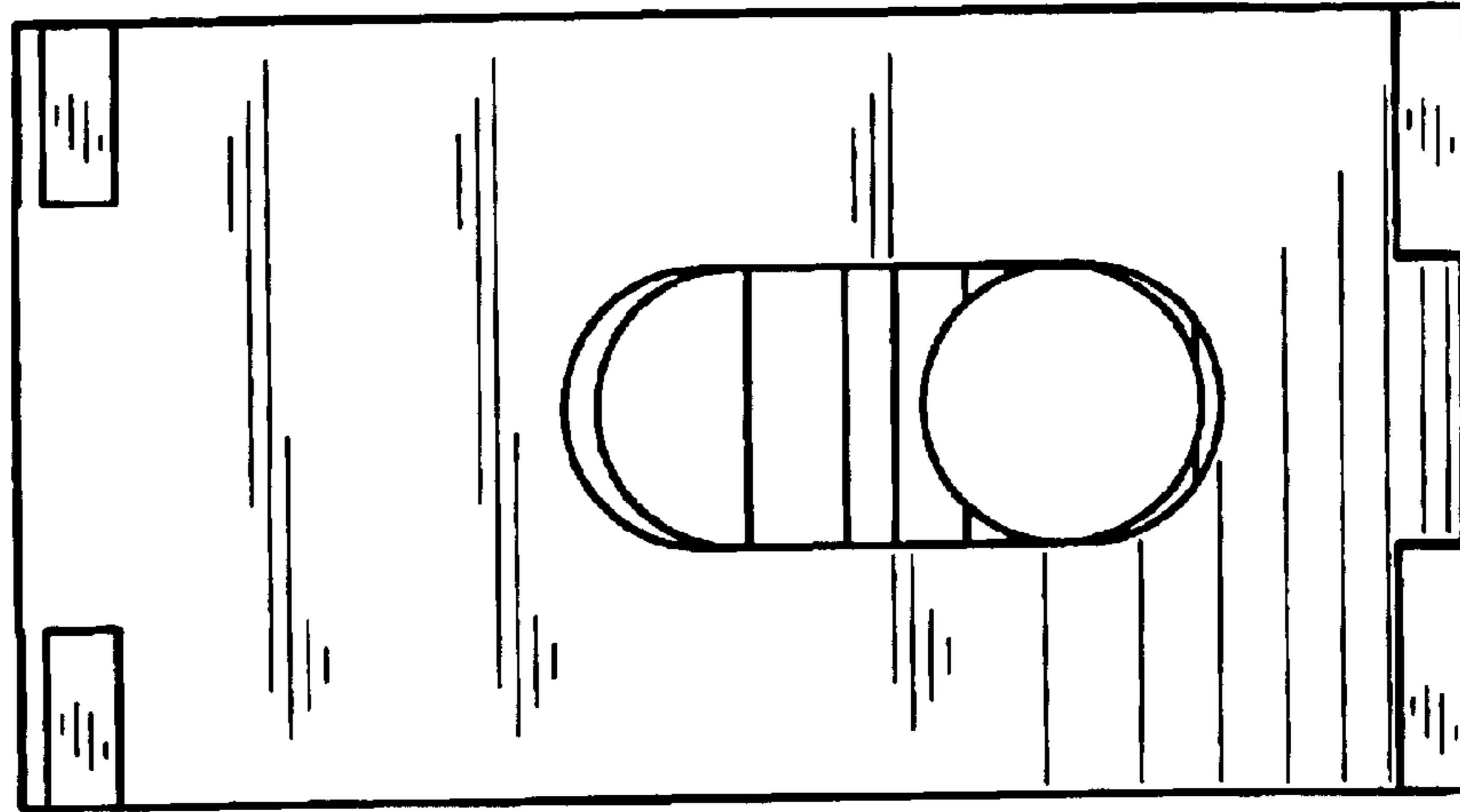


FIG. 6

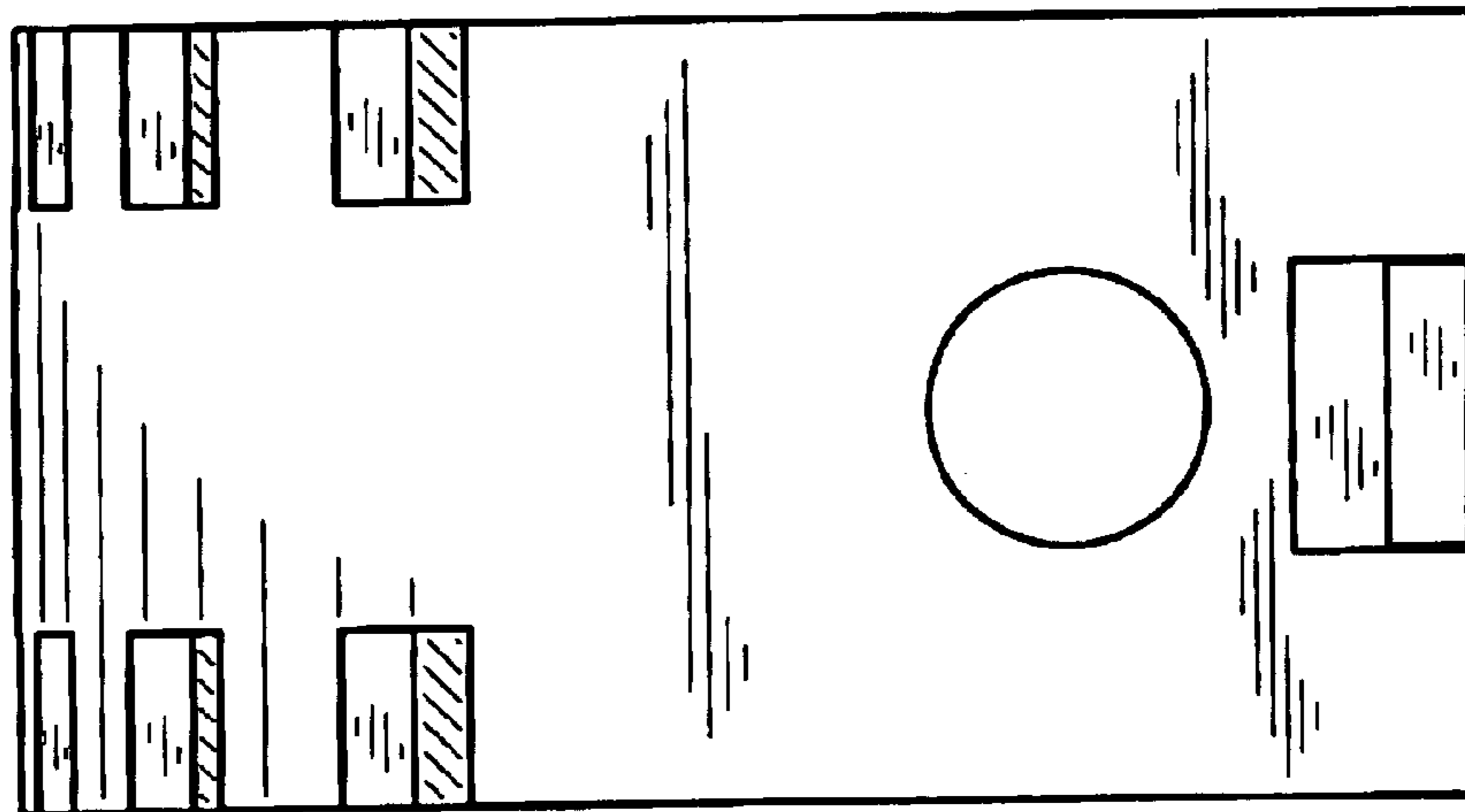


FIG. 7