

US00D507480S

(12) **United States Design Patent**
Kopp et al.

(10) **Patent No.:** **US D507,480 S**
(45) **Date of Patent:** **** Jul. 19, 2005**

(54) **RATCHET BUMPER**
(75) Inventors: **Tony Kopp**, West Allis, WI (US); **Eric Mackey**, Milwaukee, WI (US); **Mark Van Handel**, Milwaukee, WI (US)
(73) Assignee: **Master Lock Company**, Oak Creek, WI (US)
(**) Term: **14 Years**

5,819,377 A 10/1998 Huang
5,943,742 A 8/1999 Huang
6,007,053 A 12/1999 Huang
6,125,682 A * 10/2000 Rzasa et al. 72/412
6,195,848 B1 3/2001 Jackson et al.
6,547,218 B2 4/2003 Landy
6,654,897 B1 11/2003 Dreps et al.
6,684,667 B2 2/2004 Young
2001/0045548 A1 11/2001 Landy

* cited by examiner

(21) Appl. No.: **29/193,162**
(22) Filed: **Nov. 4, 2003**

Primary Examiner—Holly Baynham
(74) *Attorney, Agent, or Firm*—Calfee, Halter & Griswold, LLP

(51) **LOC (8) Cl.** **08-08**
(52) **U.S. Cl.** **D8/383**
(58) **Field of Search** D8/44, 382; 24/68 CD

(57) **CLAIM**

The ornamental design for a ratchet bumper, as shown and described.

(56) **References Cited**

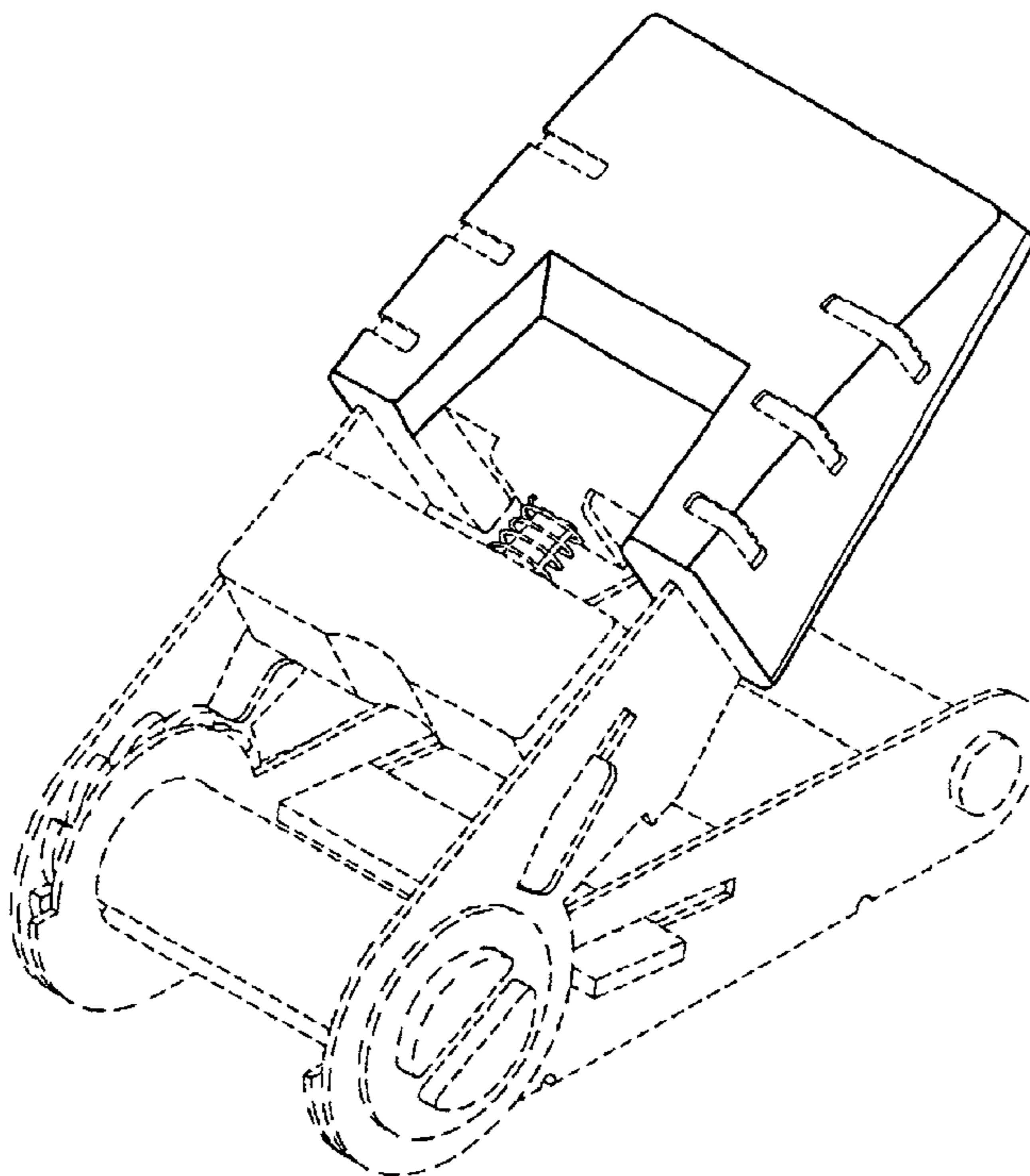
DESCRIPTION

U.S. PATENT DOCUMENTS

3,699,843 A * 10/1972 Sweeny 407/9
4,185,360 A 1/1980 Prete, Jr. et al.
D266,828 S 11/1982 Prete, Jr.
4,542,883 A 9/1985 Rutzki
4,622,721 A * 11/1986 Smetz et al. 24/68 CD
4,987,653 A * 1/1991 Lin 24/68 CD
D322,557 S 12/1991 Cummings
5,103,536 A 4/1992 Kamper
D328,840 S 8/1992 Jensen
5,205,020 A 4/1993 Kamper
5,271,606 A 12/1993 Kamper
5,549,429 A 8/1996 Sergeant
5,778,496 A 7/1998 Huang

FIG. 1 is a perspective view of the design of the present invention;
FIG. 2 is a front view of the design shown in FIG. 1;
FIG. 3 is a side view of the design shown in FIG. 1;
FIG. 4 is a back view of the design shown in FIG. 1;
FIG. 5 is a top view of the design shown in FIG. 1;
FIG. 6 is a side view of the design shown in FIG. 1; and
FIG. 7 is a bottom view of the design shown in FIG. 1.
The portions of the Figures shown in phantom lines are not part of the claimed design but are for illustration only.

1 Claim, 3 Drawing Sheets



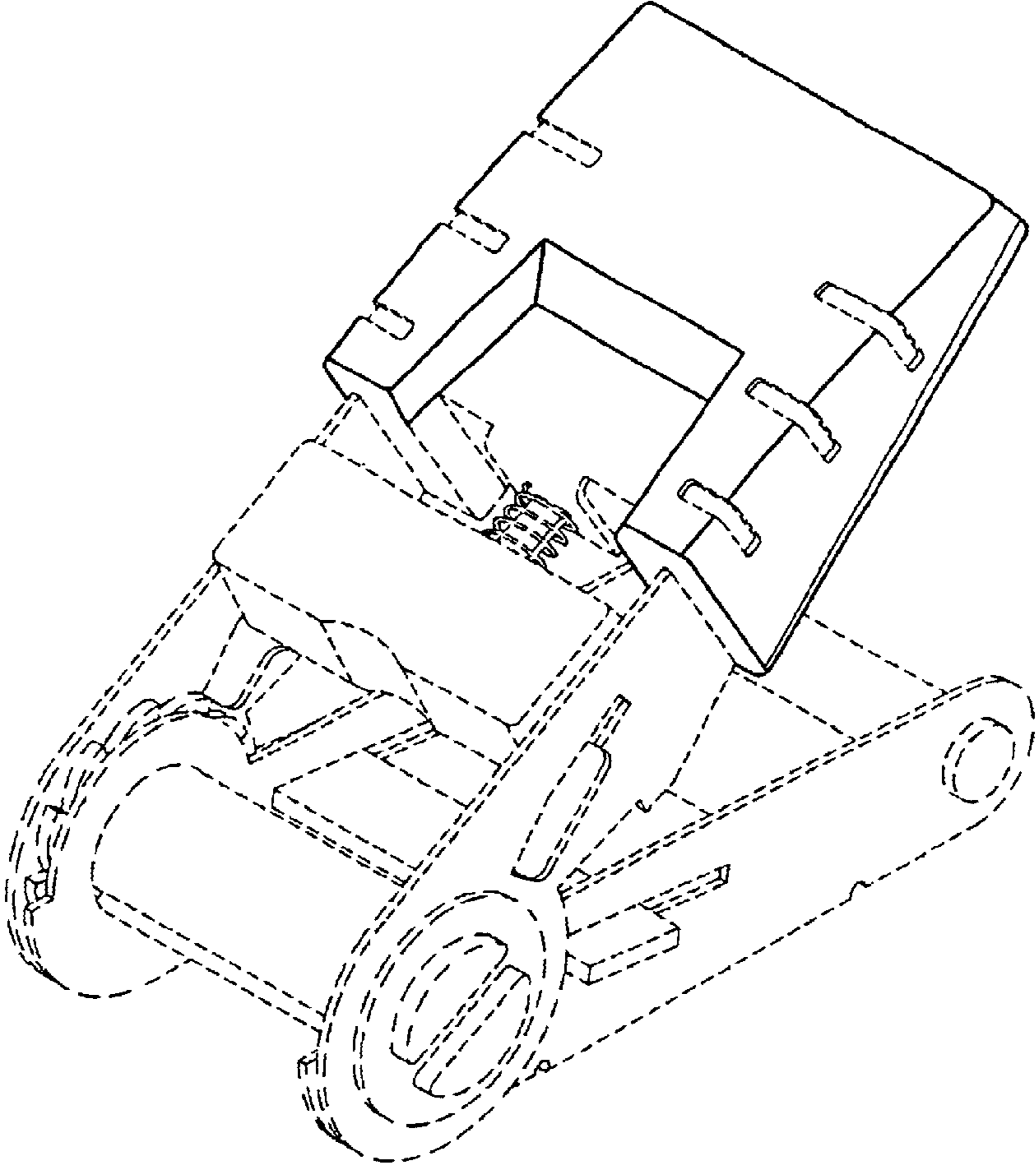


FIG. 1

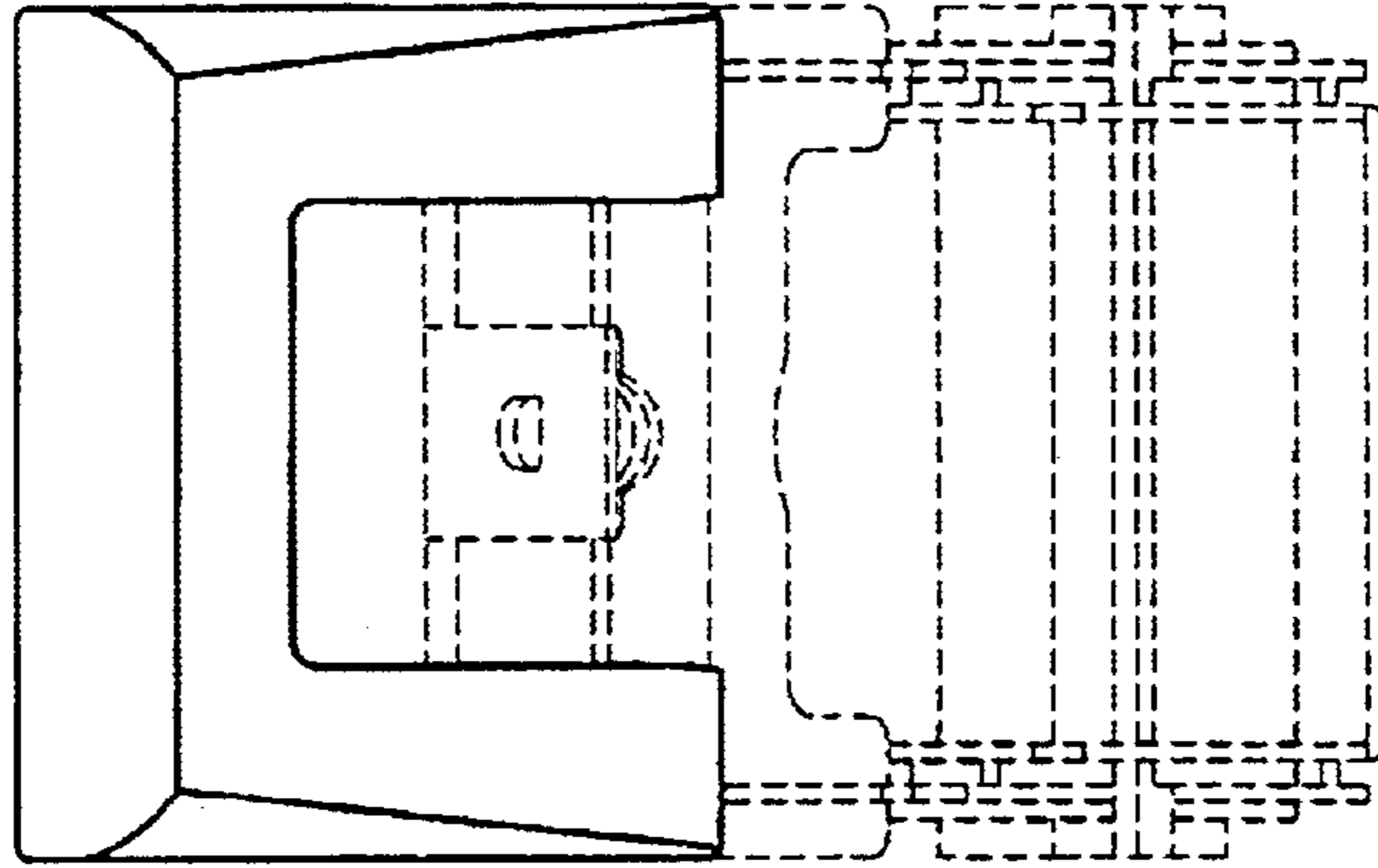


FIG. 2

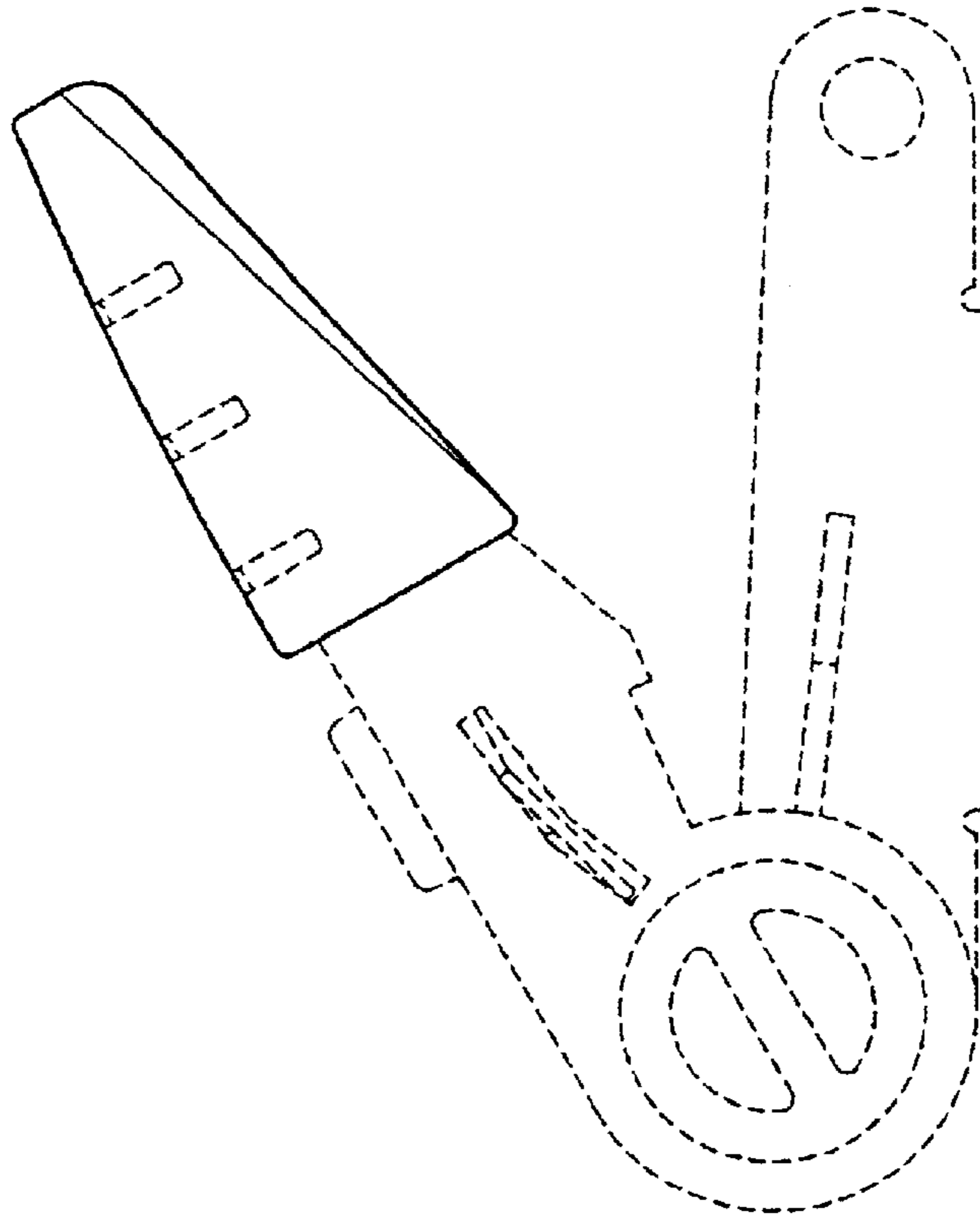


FIG. 3

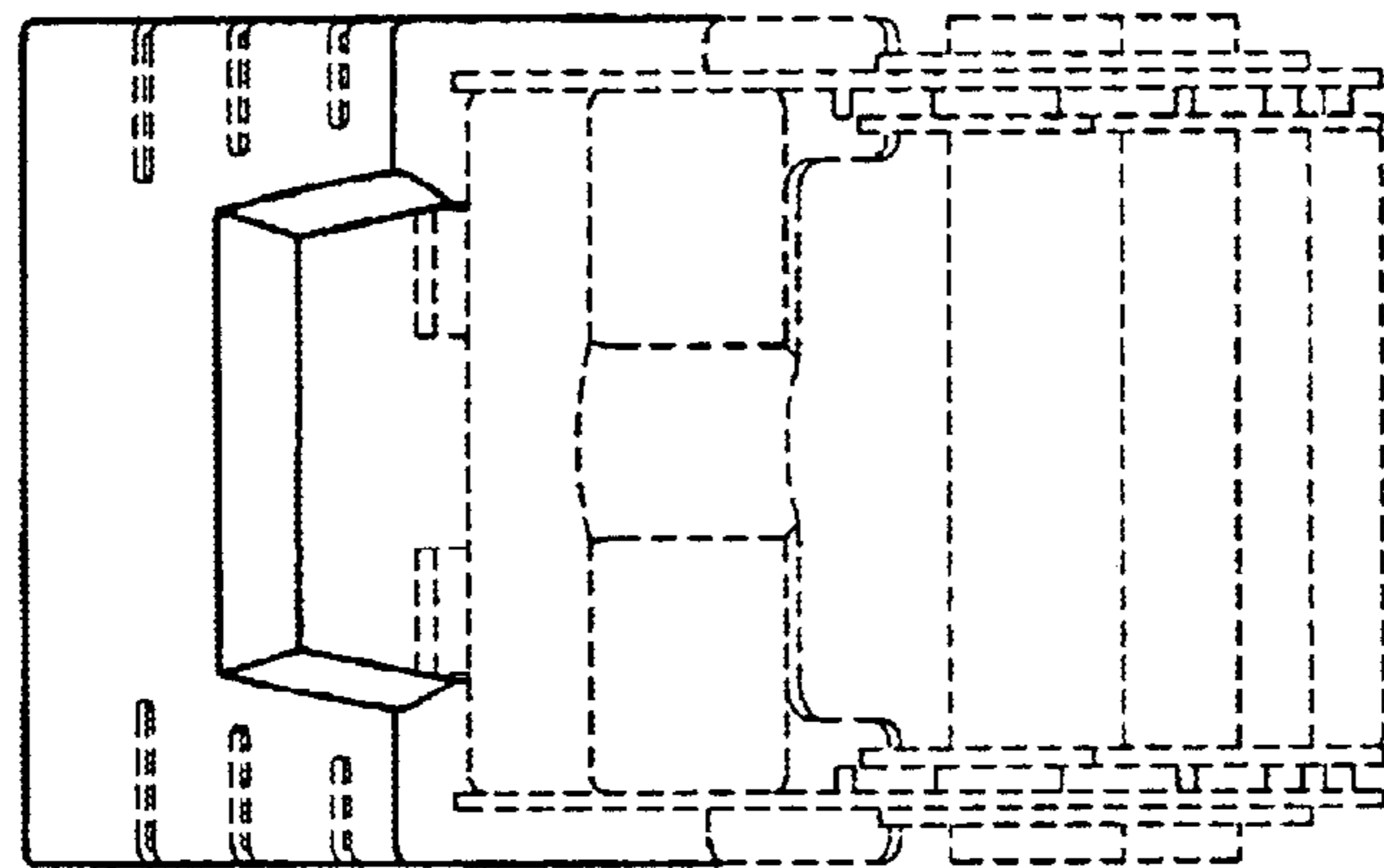


FIG. 4

FIG. 5

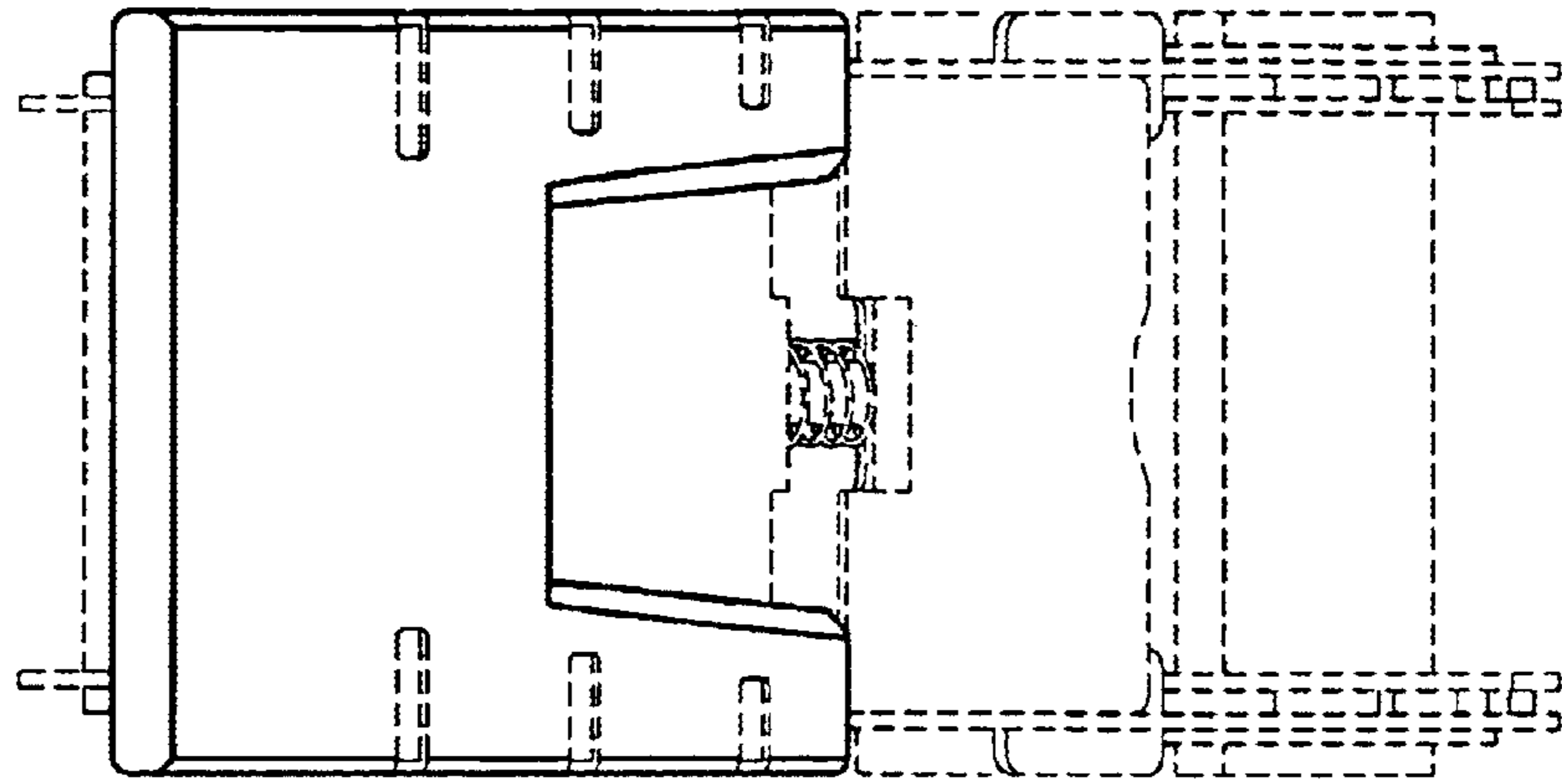


FIG. 6

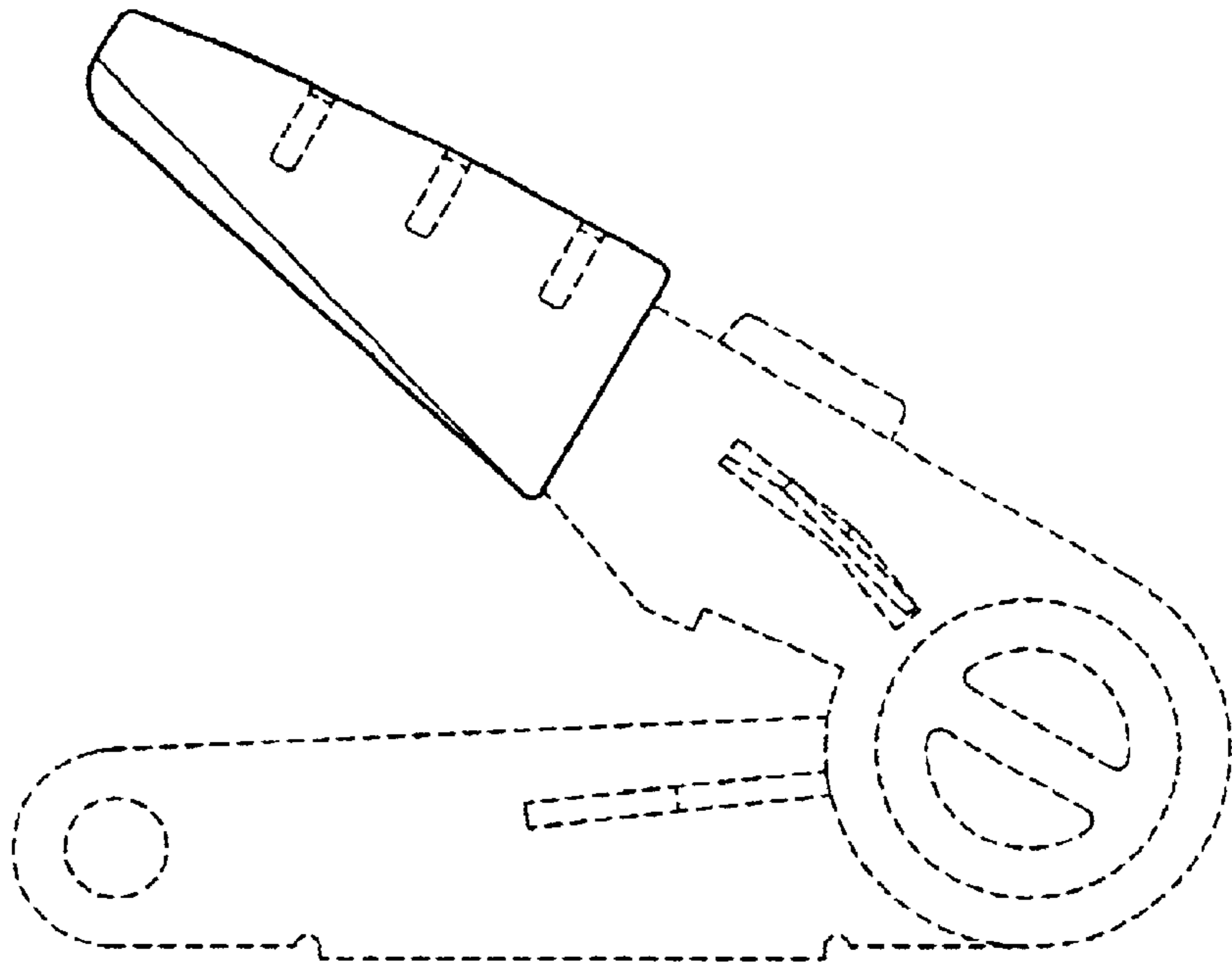


FIG. 7

