

US00D507478S

(12) **United States Design Patent**  
**Blackstone**

(10) **Patent No.:** **US D507,478 S**  
(45) **Date of Patent:** **\*\* Jul. 19, 2005**

(54) **CARPET ROD BRACKET-FINIAL ASSEMBLY**

(76) Inventor: **Warren Blackstone**, 1401 Oak Lawn,  
Dallas, TX (US) 75207

(\*\*) Term: **14 Years**

(21) Appl. No.: **29/193,516**

(22) Filed: **Nov. 10, 2003**

**Related U.S. Application Data**

(62) Division of application No. 29/177,428, filed on Mar. 10,  
2003, now Pat. No. Des. 487,393.

(51) **LOC (8) Cl.** ..... **08-05**

(52) **U.S. Cl.** ..... **D8/378**

(58) **Field of Search** ..... D8/378, 376, 380;  
16/12

(56) **References Cited**

**U.S. PATENT DOCUMENTS**

D230,950 S	3/1974	Moon	
D342,437 S	12/1993	Prezner	
D389,039 S	1/1998	Smiley et al.	
D404,993 S	2/1999	Jaggi	
5,960,516 A	10/1999	Zaroufy et al.	
6,338,179 B1 *	1/2002	Blackstone	16/12

\* cited by examiner

*Primary Examiner*—Holly Baynham

(74) *Attorney, Agent, or Firm*—James J. Murphy; Winstead  
Sechrest & Minick

(57) **CLAIM**

The ornamental design for a carpet rod bracket-finial assem-  
bly, as shown and described.

**DESCRIPTION**

FIG. 1 is a perspective view of a carpet rod bracket finial  
assembly, according to one embodiment of the inventive  
ornamental design;

FIG. 2 is a front elevational view of the carpet rod bracket  
finial assembly of FIG. 1;

FIG. 3 is a side elevational view of a first side of the carpet  
rod bracket finial assembly of FIG. 1;

FIG. 4 is a side elevational view of a second side of the  
carpet rod bracket finial assembly of FIG. 1;

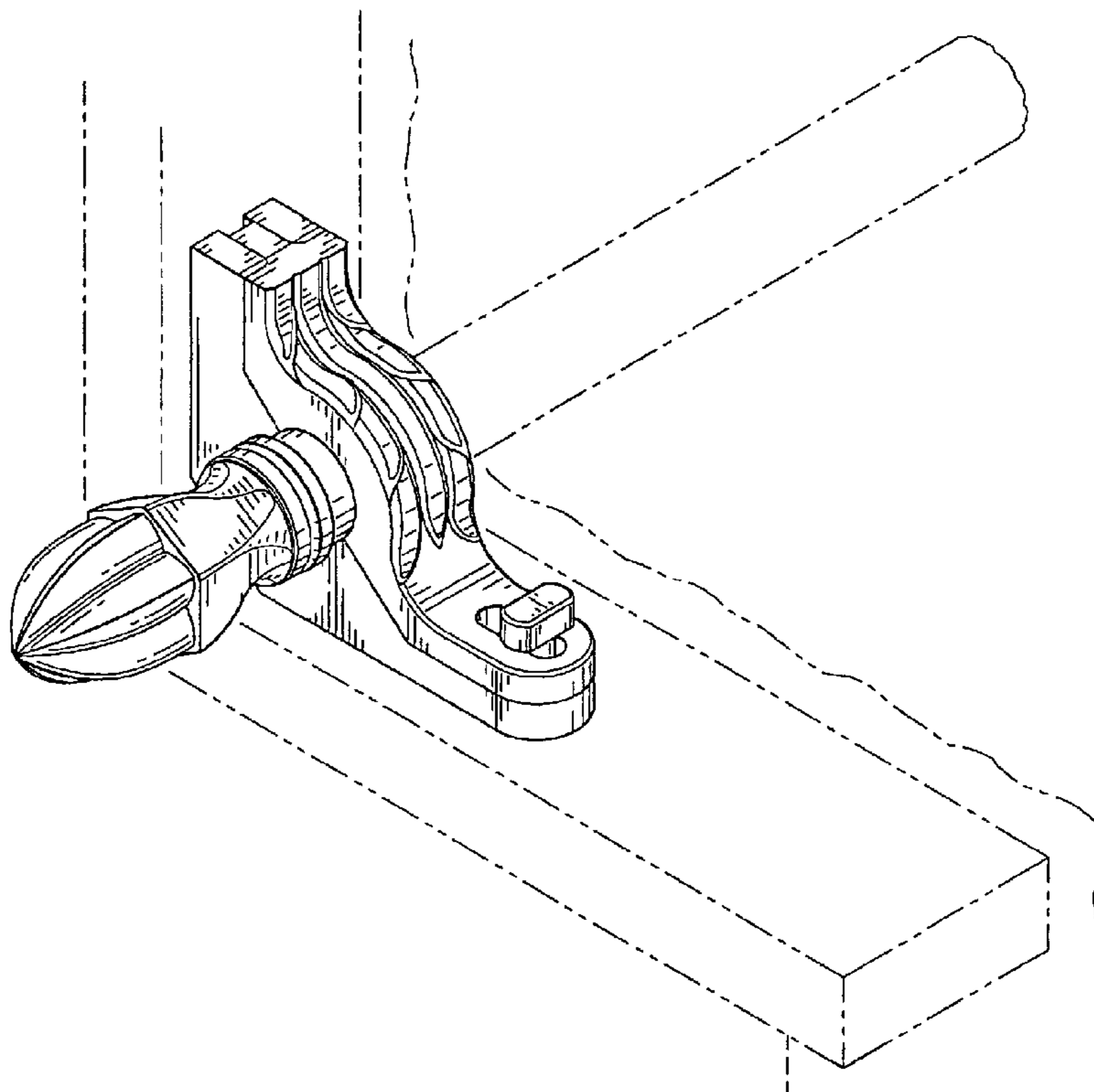
FIG. 5 is a bottom plan view of the carpet rod bracket finial  
assembly of FIG. 1;

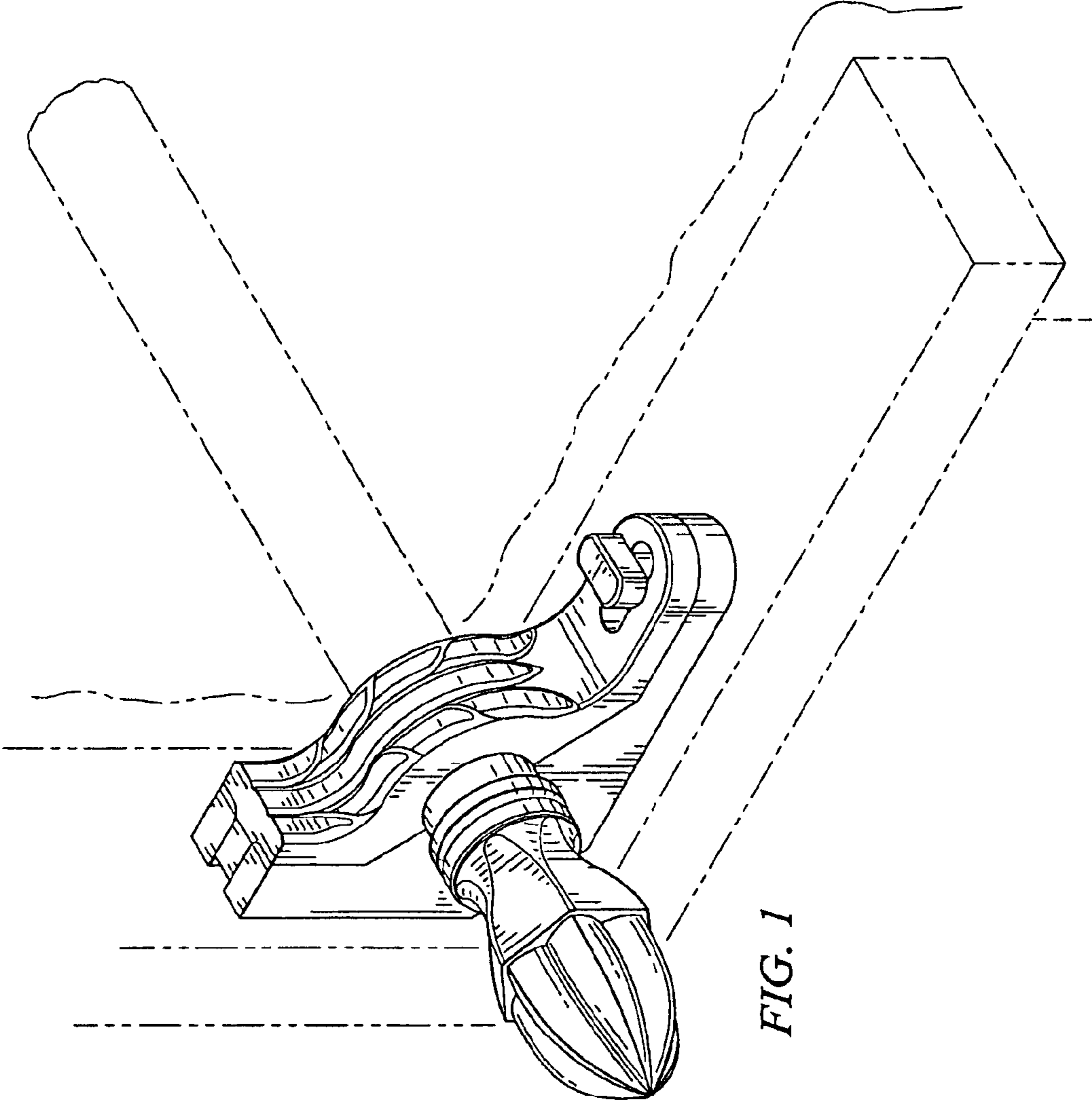
FIG. 6 is a top plan view of the carpet rod bracket finial  
assembly of FIG. 1; and,

FIG. 7 is a bottom plan view of a first alternate embodiment  
of the carpet rod bracket finial assembly ornamental design  
according to the invention.

The broken line in the drawing showing a portion of a rod  
is for illustrative purposes only and forms no part of the  
claimed design.

**1 Claim, 3 Drawing Sheets**





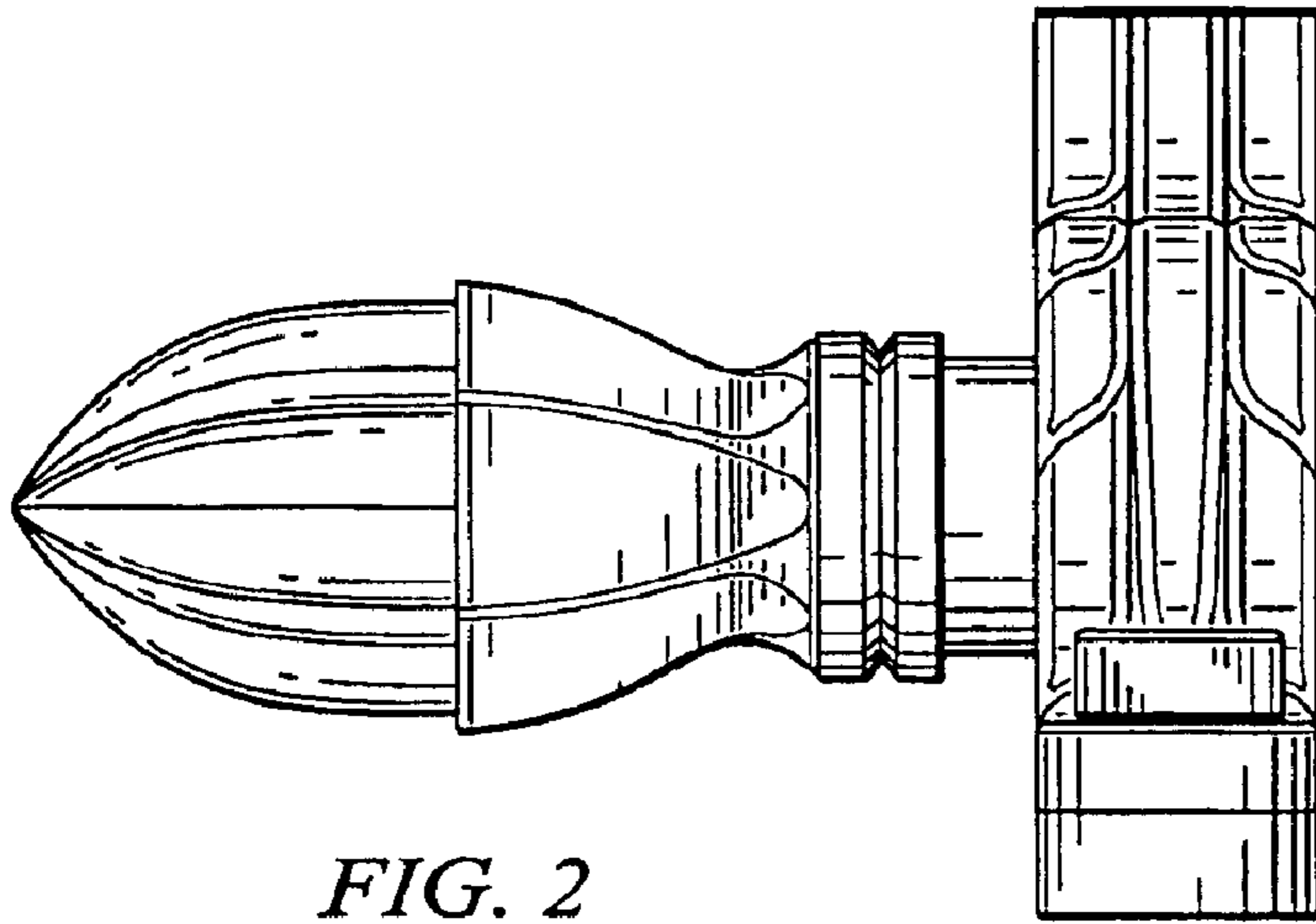


FIG. 2

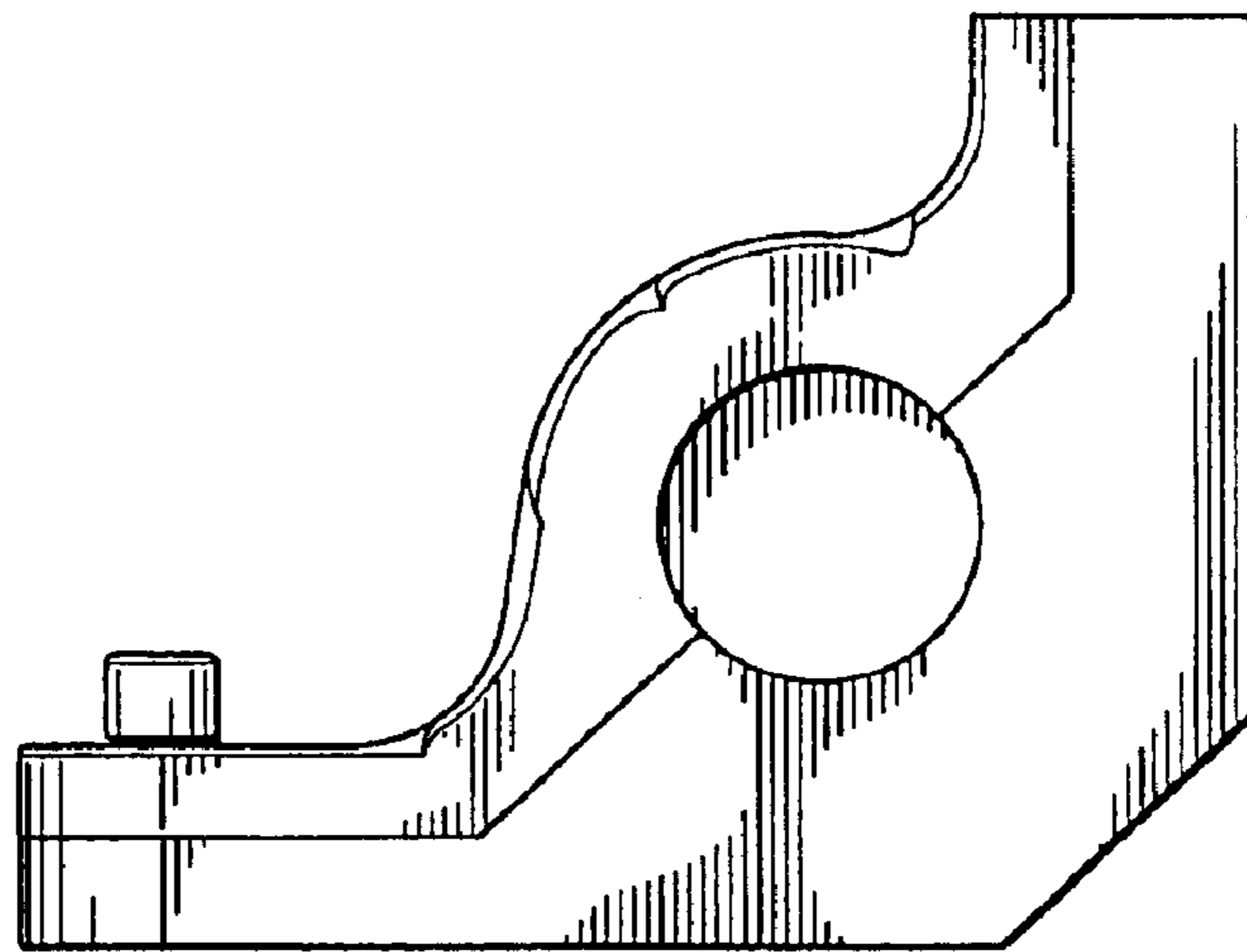


FIG. 3

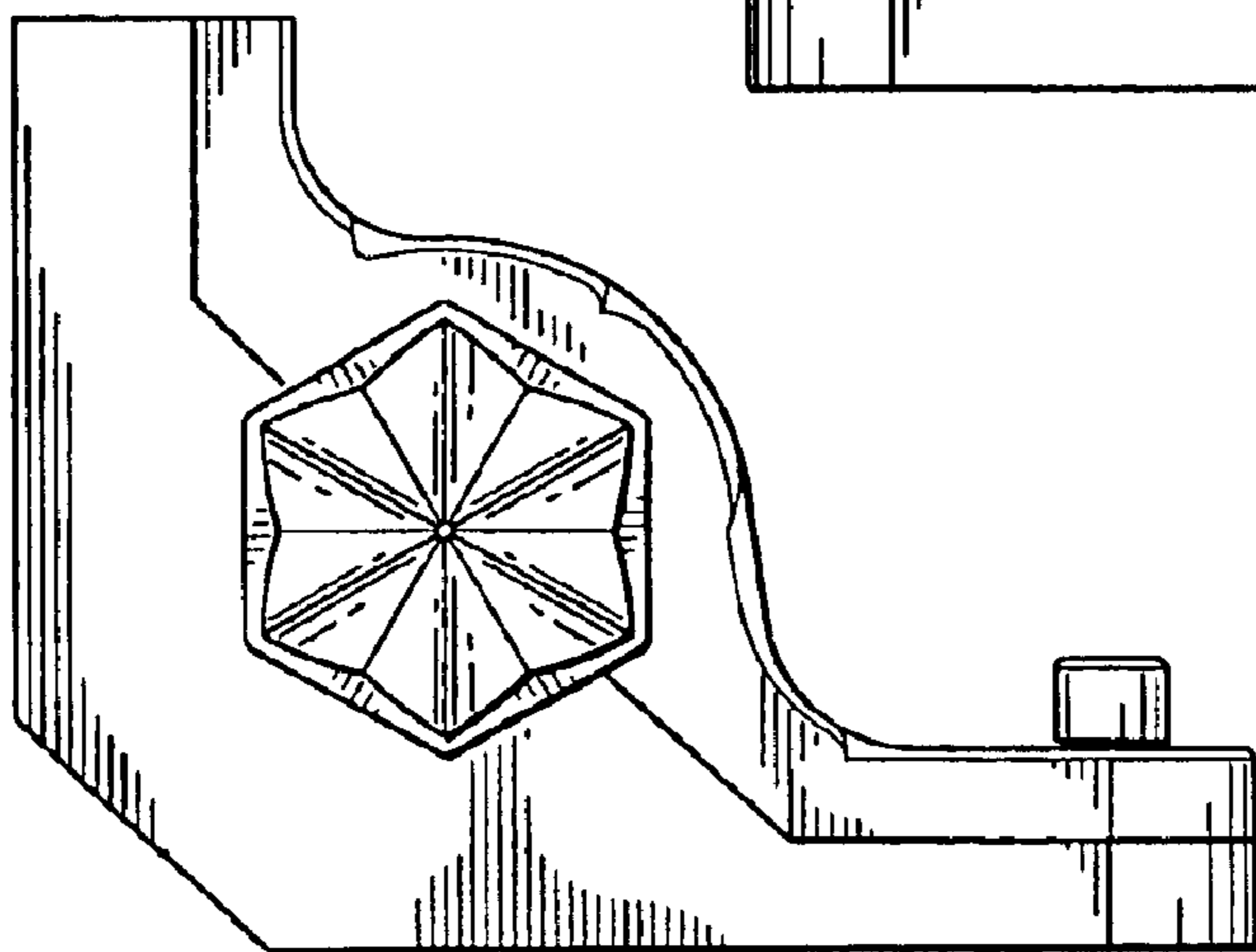


FIG. 4

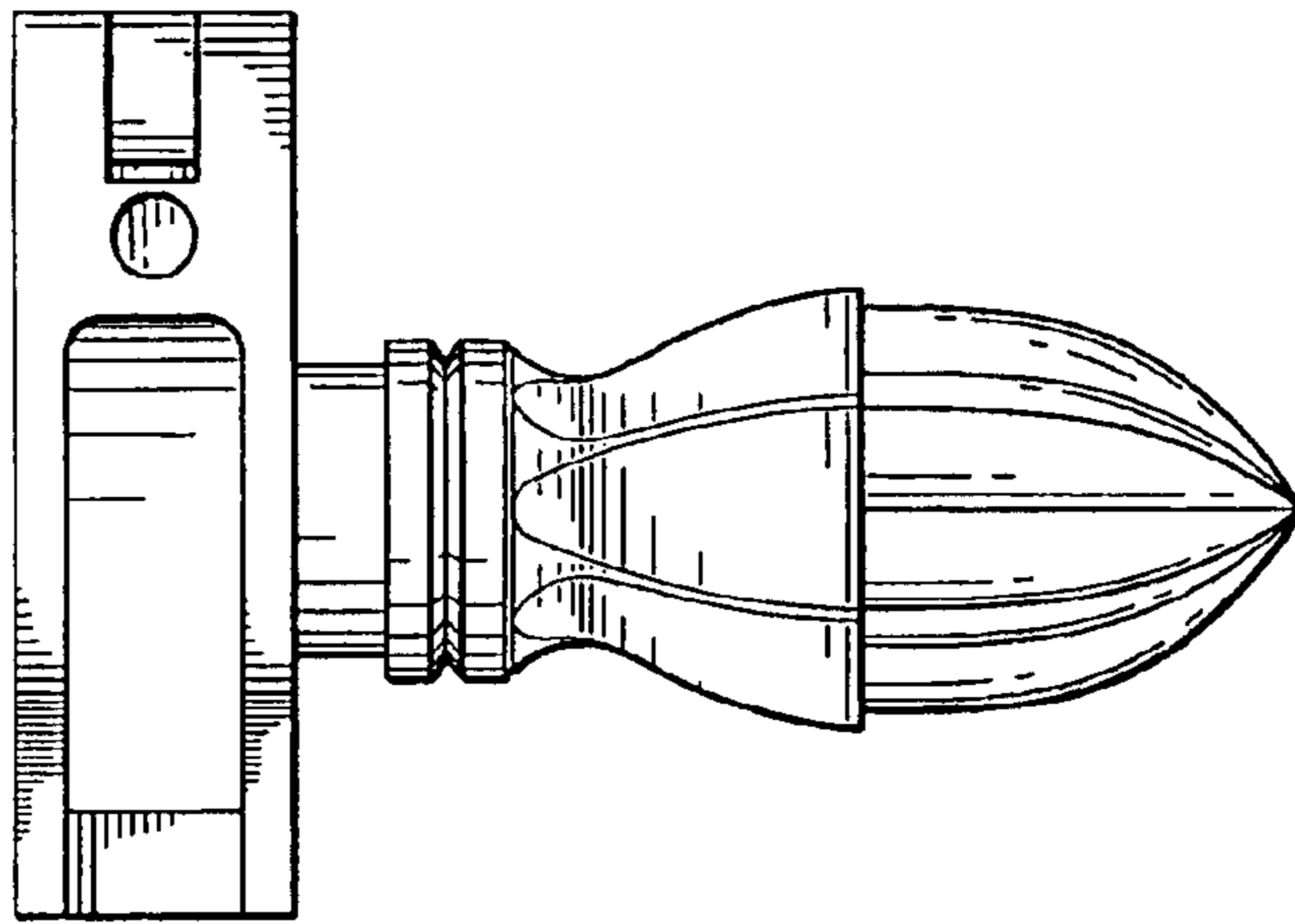


FIG. 5

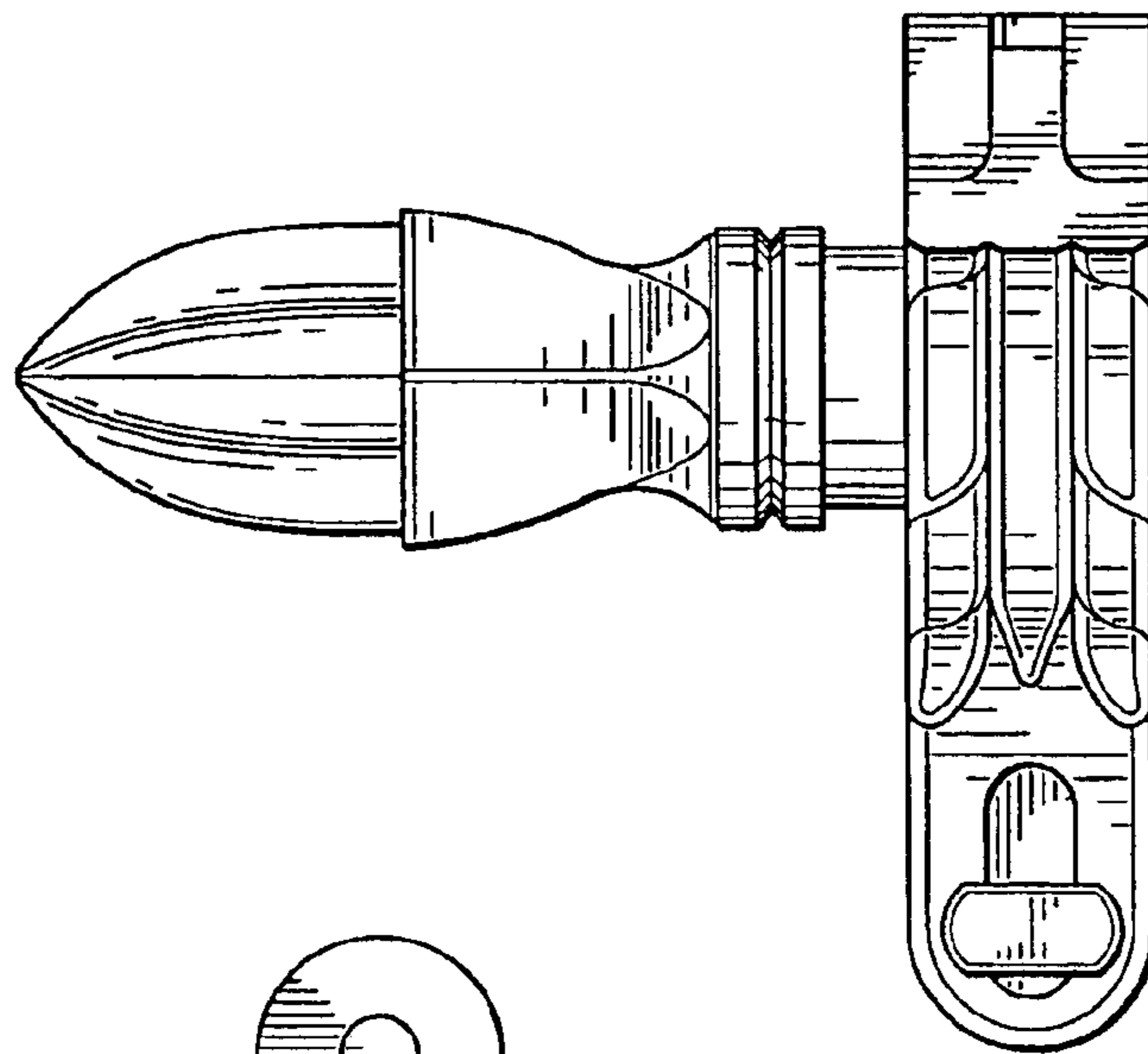


FIG. 6

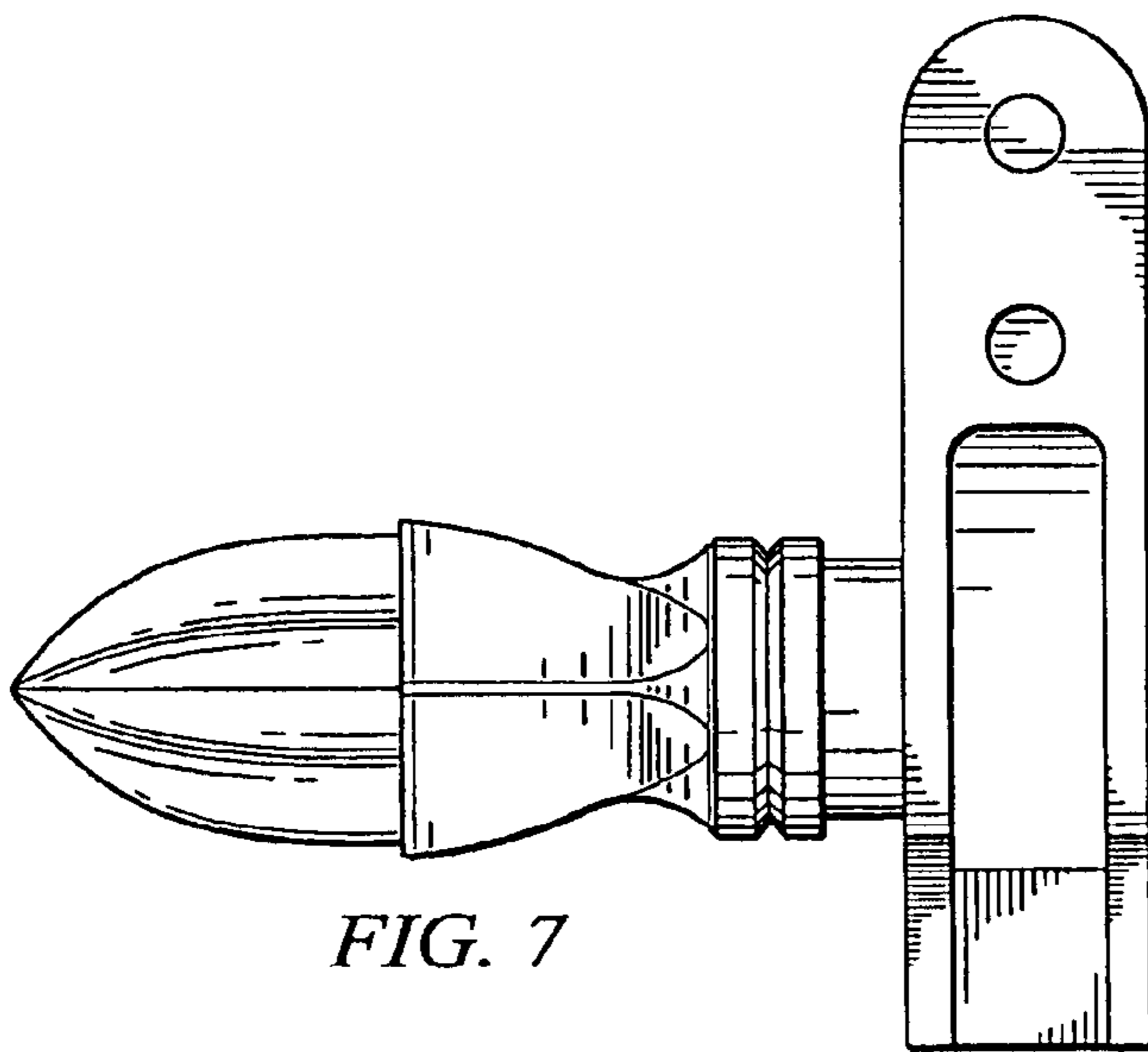


FIG. 7