

US00D507475S

(12) **United States Design Patent**
Phillips et al.

(10) **Patent No.:** **US D507,475 S**
(45) **Date of Patent:** **** Jul. 19, 2005**

(54) **BRACKET FOR A SMOKE DETECTOR COVER**

5,909,955 A * 6/1999 Roorda 362/368
6,491,413 B1 * 12/2002 Benesohn 362/294
D486,940 S * 2/2004 Yiu D26/138

(76) Inventors: **Tina M. Phillips**, 3389 Center Street Rd., Auburn, NY (US) 13021; **Carter Lockhart**, 227 N. Pecan St., Newport News, VA (US) 23602

* cited by examiner

Primary Examiner—Ruth McInroy
Assistant Examiner—Terrence Huang
(74) *Attorney, Agent, or Firm*—Merek, Blackman & Voorhees, LLC

(**) **Term:** **14 Years**

(21) **Appl. No.:** **29/196,377**

(57) **CLAIM**

(22) **Filed:** **Dec. 30, 2003**

The ornamental design for a bracket for a smoke detector cover, as shown and described.

(51) **LOC (8) Cl.** **08-08**

(52) **U.S. Cl.** **D8/349**

(58) **Field of Search** D8/349, 354, 360;
D23/206; D26/138; 362/365, 368, 294;
D6/102, 120, 137, 540, 545, 546, 547;
248/294, 310, 312, 315

DESCRIPTION

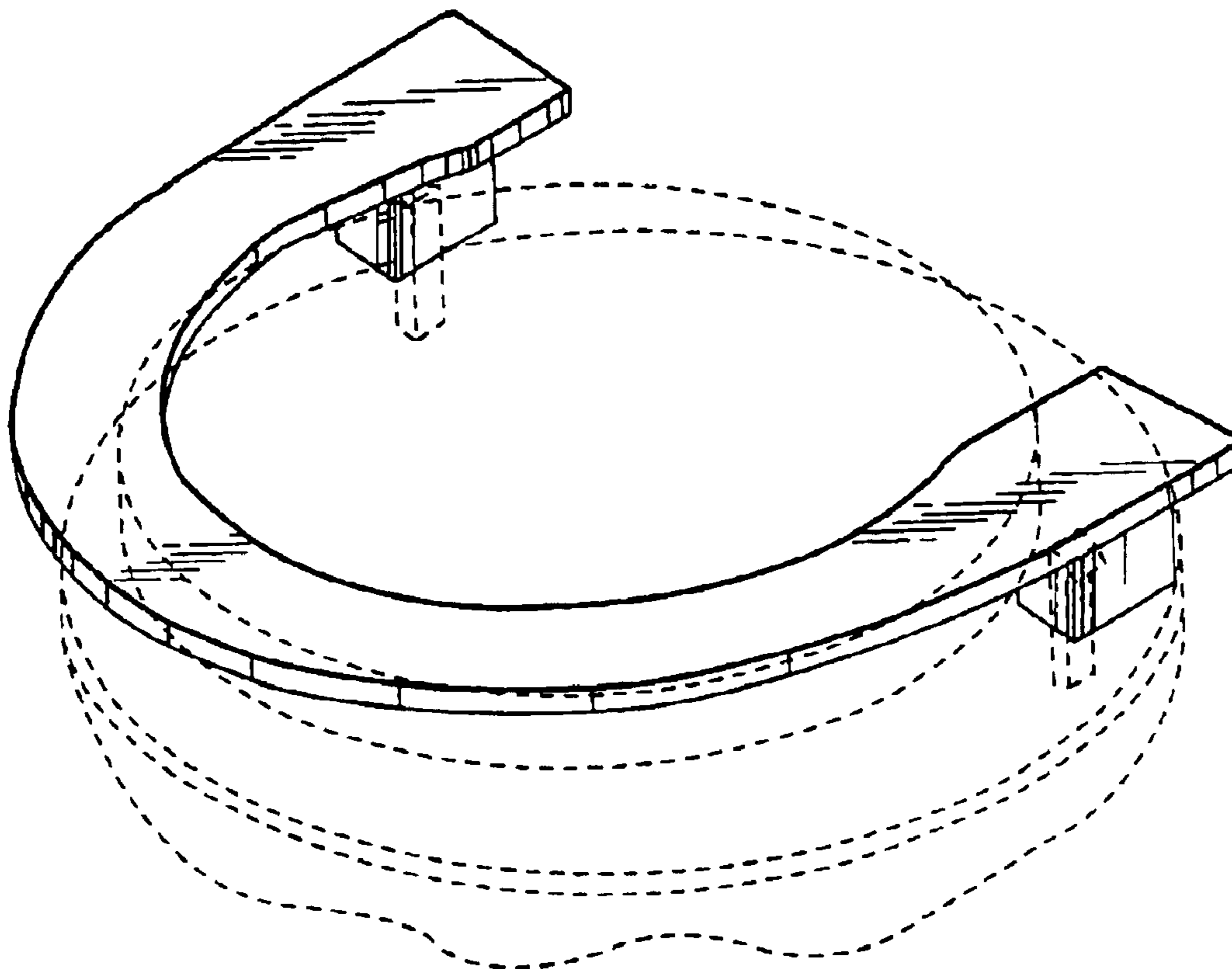
FIG. 1 is a perspective view for a bracket for a smoke detector cover showing my new design;
FIG. 2 is a top view thereof;
FIG. 3 is a front elevational view thereof;
FIG. 4 is a right side elevational view thereof, the left side being a mirror image;
FIG. 5 is a bottom view thereof; and,
FIG. 6 is a rear elevational view thereof.
The broken line showing of FIG. 1 is for illustrative purposes only and forms no part of the claimed design.

(56) **References Cited**

U.S. PATENT DOCUMENTS

D273,606 S * 4/1984 Landry D23/206
D330,507 S * 10/1992 Foubister D8/360
D367,418 S * 2/1996 Lathrop D8/349
D383,050 S * 9/1997 Palmer D8/354
5,707,143 A * 1/1998 Hentz 362/365

1 Claim, 4 Drawing Sheets



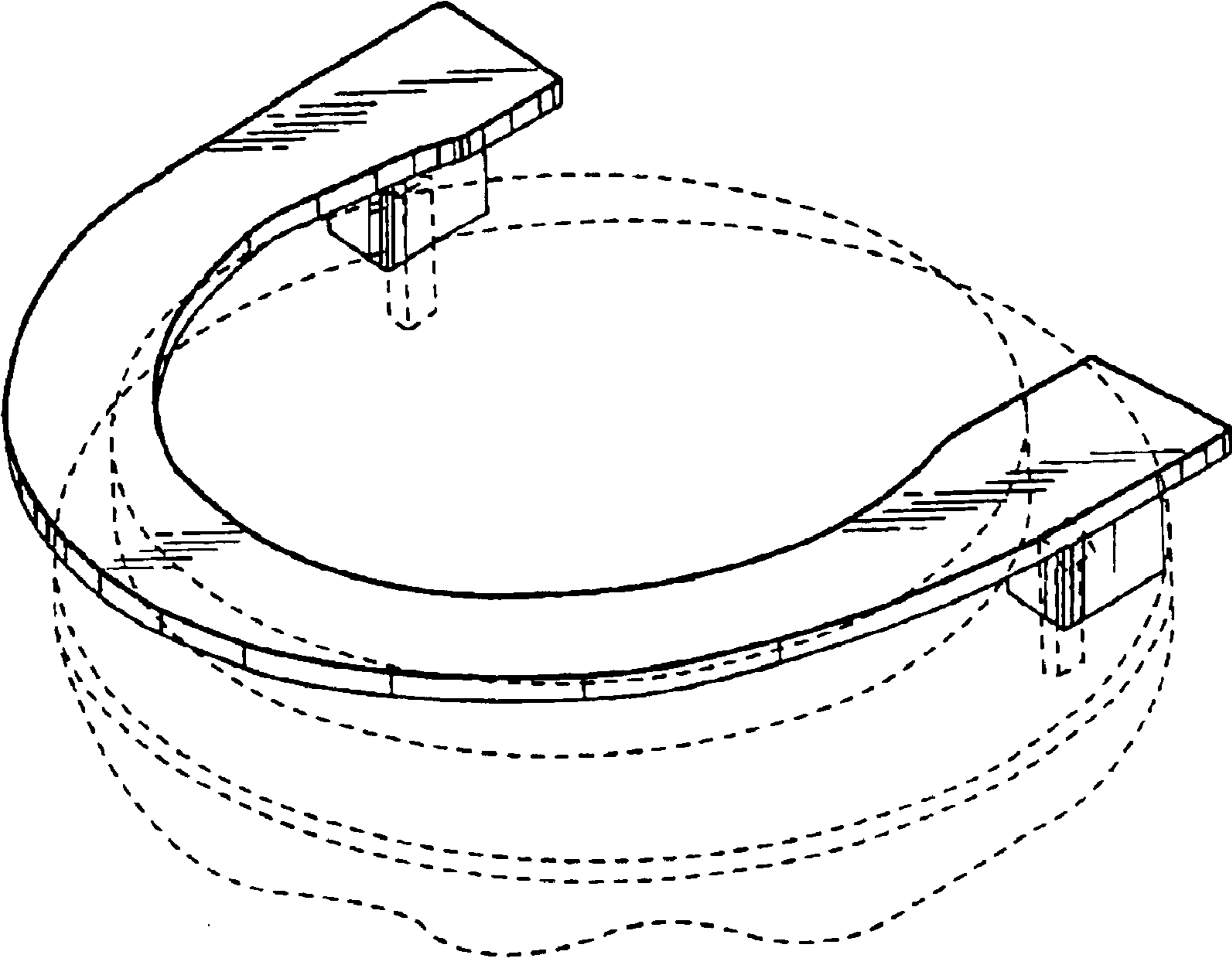


Fig. 1

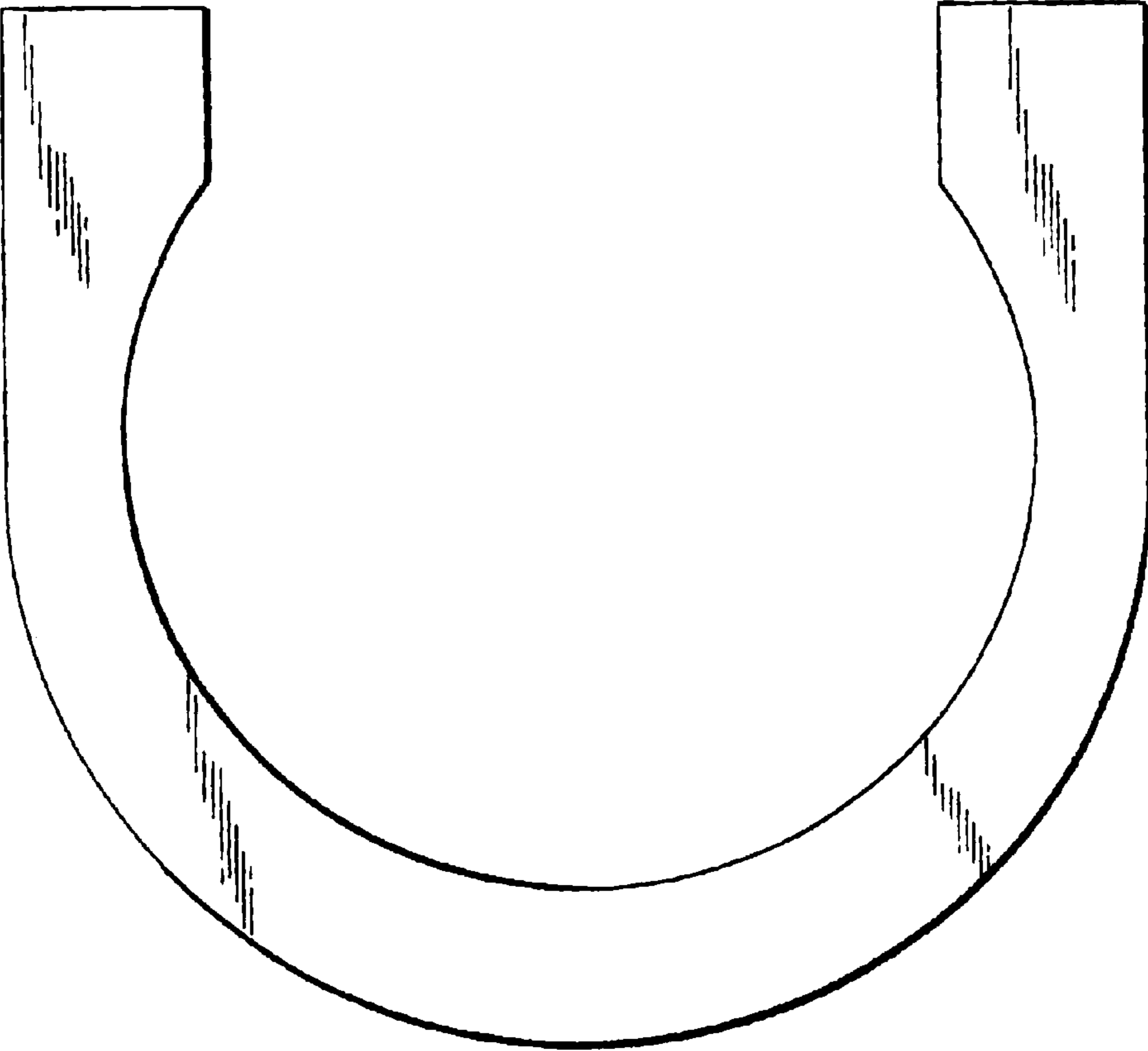


Fig. 2

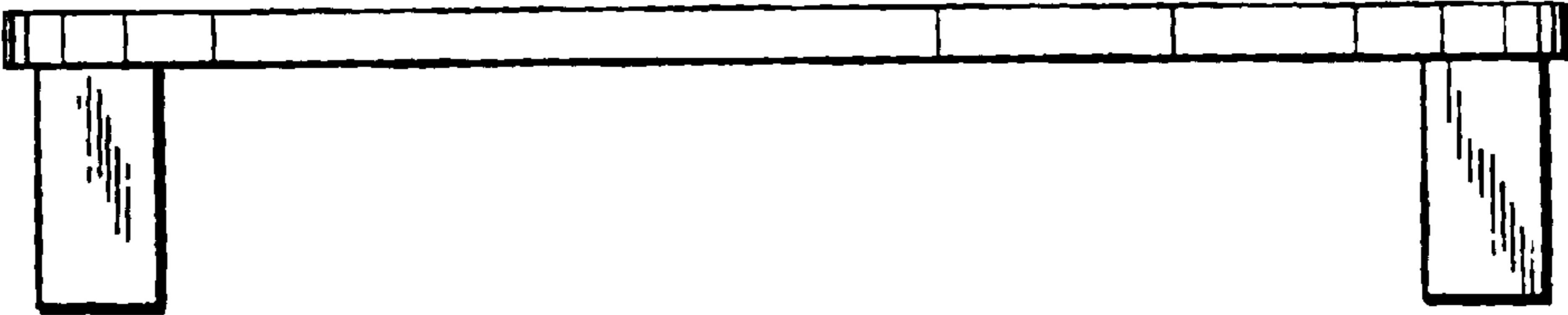


Fig. 3

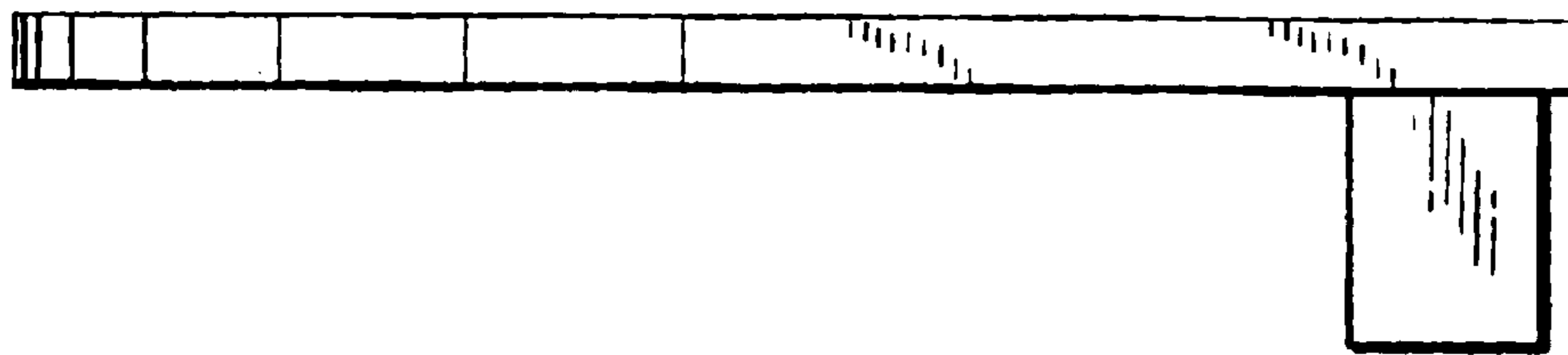


Fig. 4

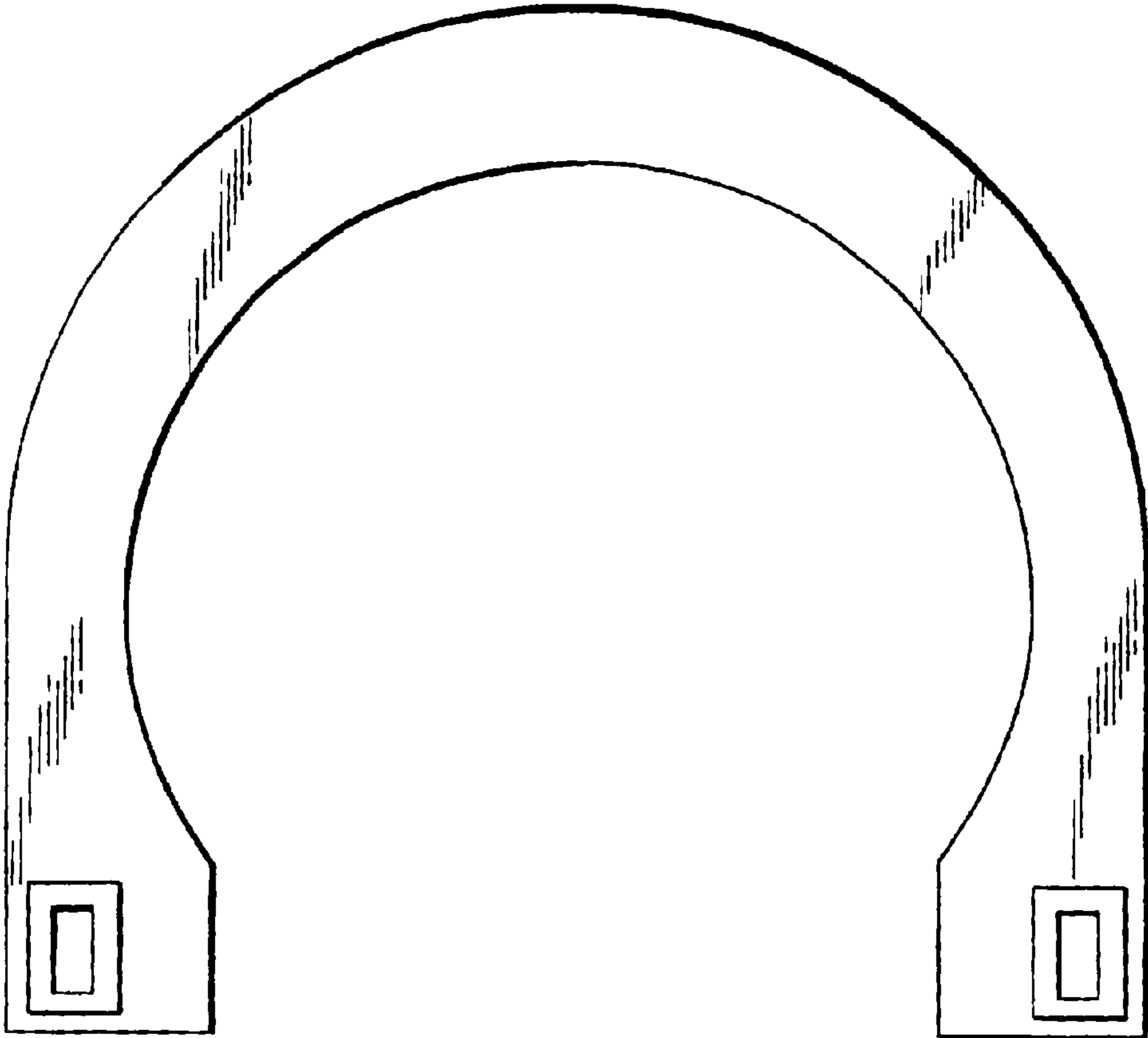


Fig. 5

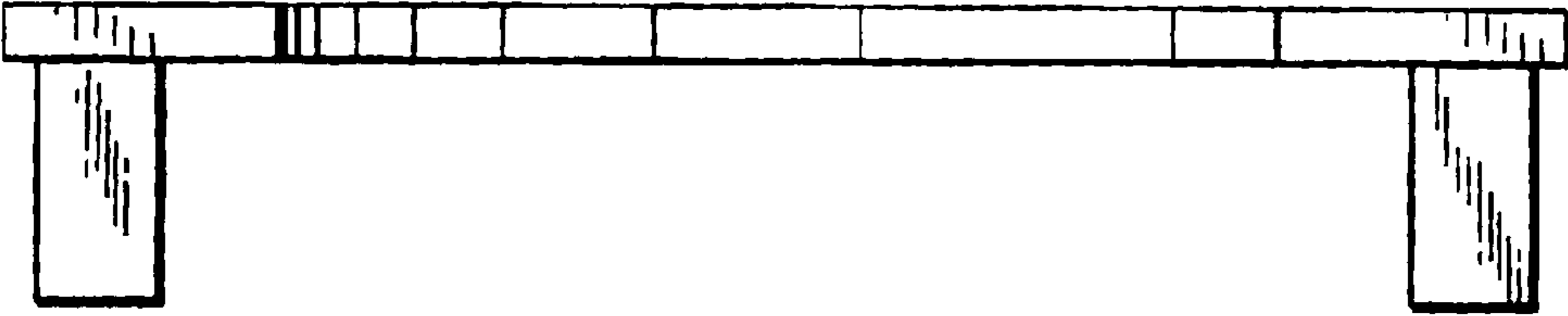


Fig. 6