

US00D507474S

(12) **United States Design Patent** (10) **Patent No.:** **US D507,474 S**
Welch (45) **Date of Patent:** **** Jul. 19, 2005**

(54) **LOCK**
(75) Inventor: **James Welch**, Waukesha, WI (US)
(73) Assignee: **Master Lock Company**, Oak Creek, WI (US)
(**) Term: **14 Years**
(21) Appl. No.: **29/213,459**
(22) Filed: **Sep. 17, 2004**

5,908,265 A * 6/1999 Mostkoff 405/29
D418,392 S 1/2000 Kelley
D419,305 S 1/2000 Porter et al.
6,041,918 A 3/2000 Moore
D425,706 S 5/2000 Calderone
D430,998 S 9/2000 Chelaru
D431,446 S 10/2000 Chelaru
D434,300 S * 11/2000 Chelaru D8/335
D445,666 S 7/2001 Gable
D449,406 S 10/2001 Angeletta
D453,675 S 2/2002 Liu
D486,722 S * 2/2004 Fonfeder D8/335
D488,049 S * 4/2004 Fonfeder D8/335
D488,050 S 4/2004 Fonfeder
D488,051 S * 4/2004 Fonfeder D8/335

Related U.S. Application Data

(63) Continuation of application No. 29/183,582, filed on Jun. 13, 2003.
(51) **LOC (8) Cl.** **08-07**
(52) **U.S. Cl.** **D8/334; D8/343**
(58) **Field of Search** D8/300, 301, 310, D8/312, 330-335, 343, 346; 70/19-25, 35, 51, 158, 160, 272, 286, 291, 294, 435, 437-446, DIG. 2, 16, 43-45; 220/4.21, 4.25, 560, 560.09; 206/303, 530, 529

OTHER PUBLICATIONS

McGraw-Edison Locks, Catalog L-2122, p. 4, No. 52 Combination Lock.*
Master Locks Catalog, May 1993, p. 16, Institutional Combination Locks.*

* cited by examiner

Primary Examiner—Prabhakar Deshmukh
(74) *Attorney, Agent, or Firm*—Calfee, Halter & Griswold LLP

(56) **References Cited**

U.S. PATENT DOCUMENTS

870,890 A 11/1907 Krause
920,692 A 5/1909 Towne
1,383,290 A 7/1921 Cressey
1,800,990 A 4/1931 Forrest
1,882,794 A * 10/1932 Full 70/25
D144,685 S * 5/1946 Bouhall D8/334
D196,679 S 10/1963 Schaffer
3,472,049 A * 10/1969 Sewell 70/21
3,624,939 A 12/1971 Gossard
4,055,972 A * 11/1977 Calegan 70/21
4,339,062 A 7/1982 Witt, Jr.
4,404,823 A * 9/1983 Miller et al. 70/333 A
D276,408 S * 11/1984 Zabel et al. D8/334
4,534,467 A * 8/1985 Rathbun 206/530
D308,320 S 6/1990 Raucci
5,318,251 A * 6/1994 Bergh 244/121

(57) **CLAIM**

The ornamental design for a lock, as shown and described.

DESCRIPTION

FIG. 1 is a perspective view of the design of the present invention;
FIG. 2 is a top view of the lock shown in FIG. 1;
FIG. 3 is a bottom view of the lock shown in FIG. 1;
FIG. 4 is a left side view of the lock shown in FIG. 1;
FIG. 5 is a front view of the lock shown in FIG. 1;
FIG. 6 is a right view of the lock shown in FIG. 1; and,
FIG. 7 is a back view of the lock shown in FIG. 1.
The portions of the Figures shown in phantom lines are not part of the claimed design but are for illustration only.

1 Claim, 2 Drawing Sheets

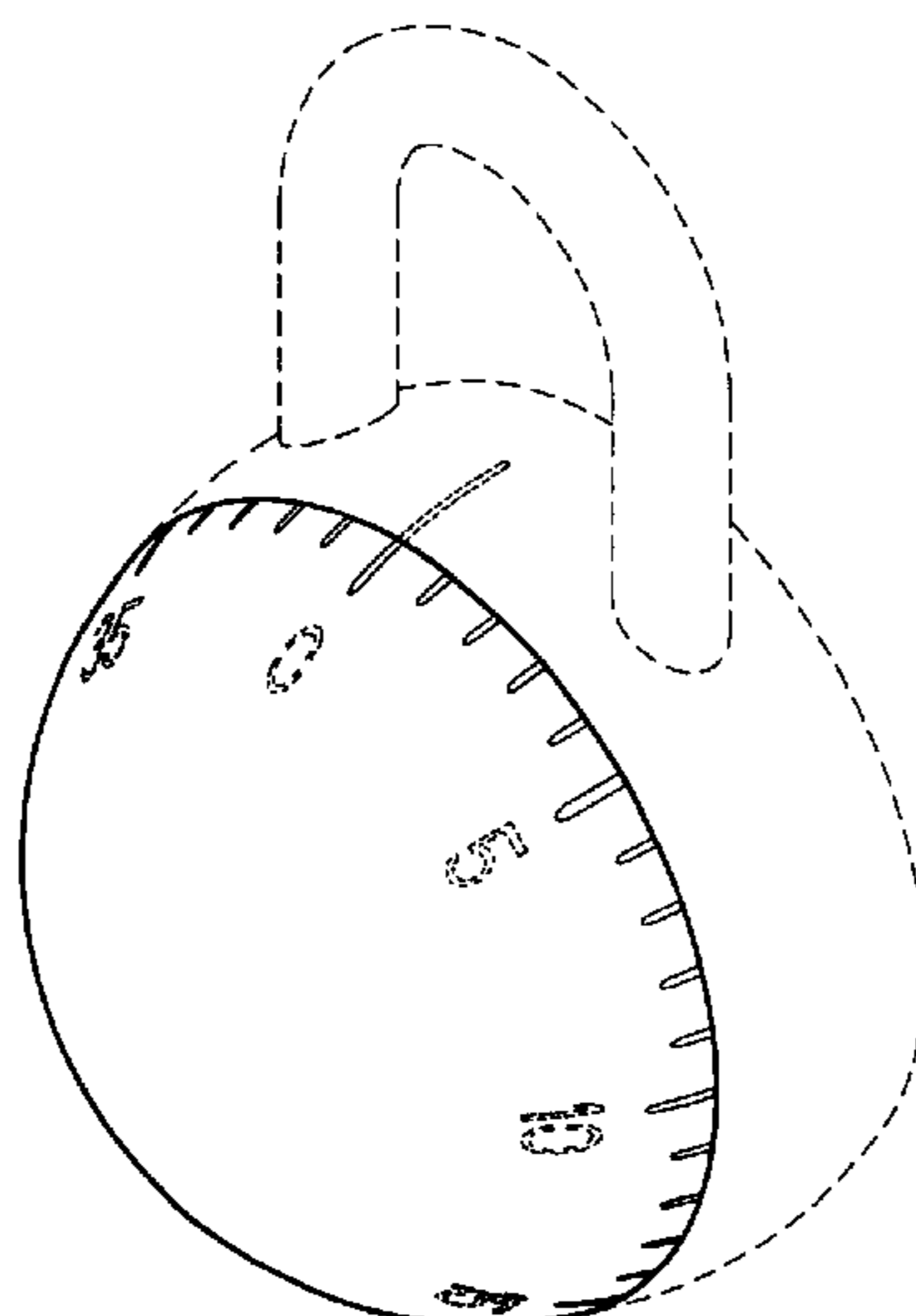


FIG. 1

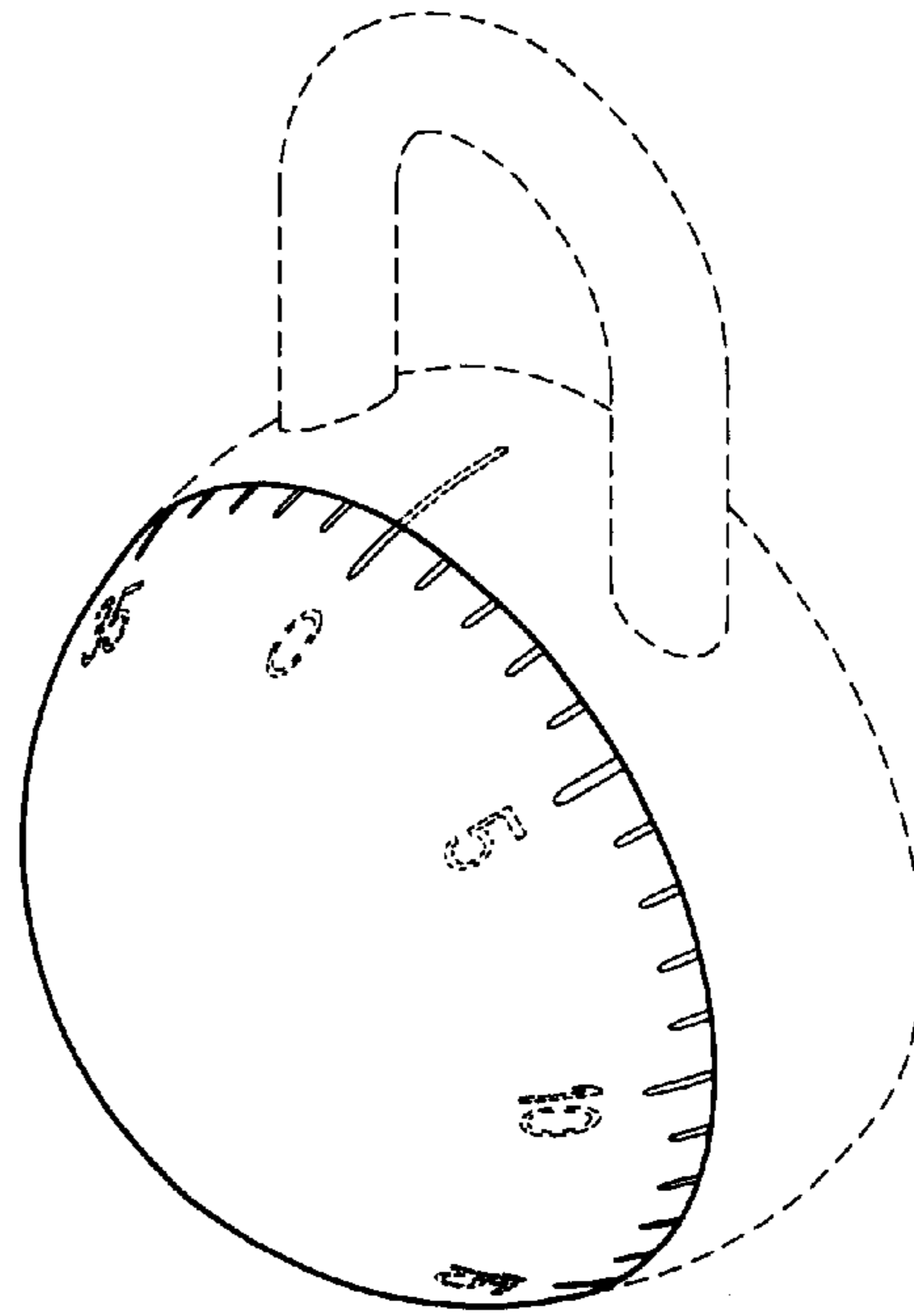


FIG. 2

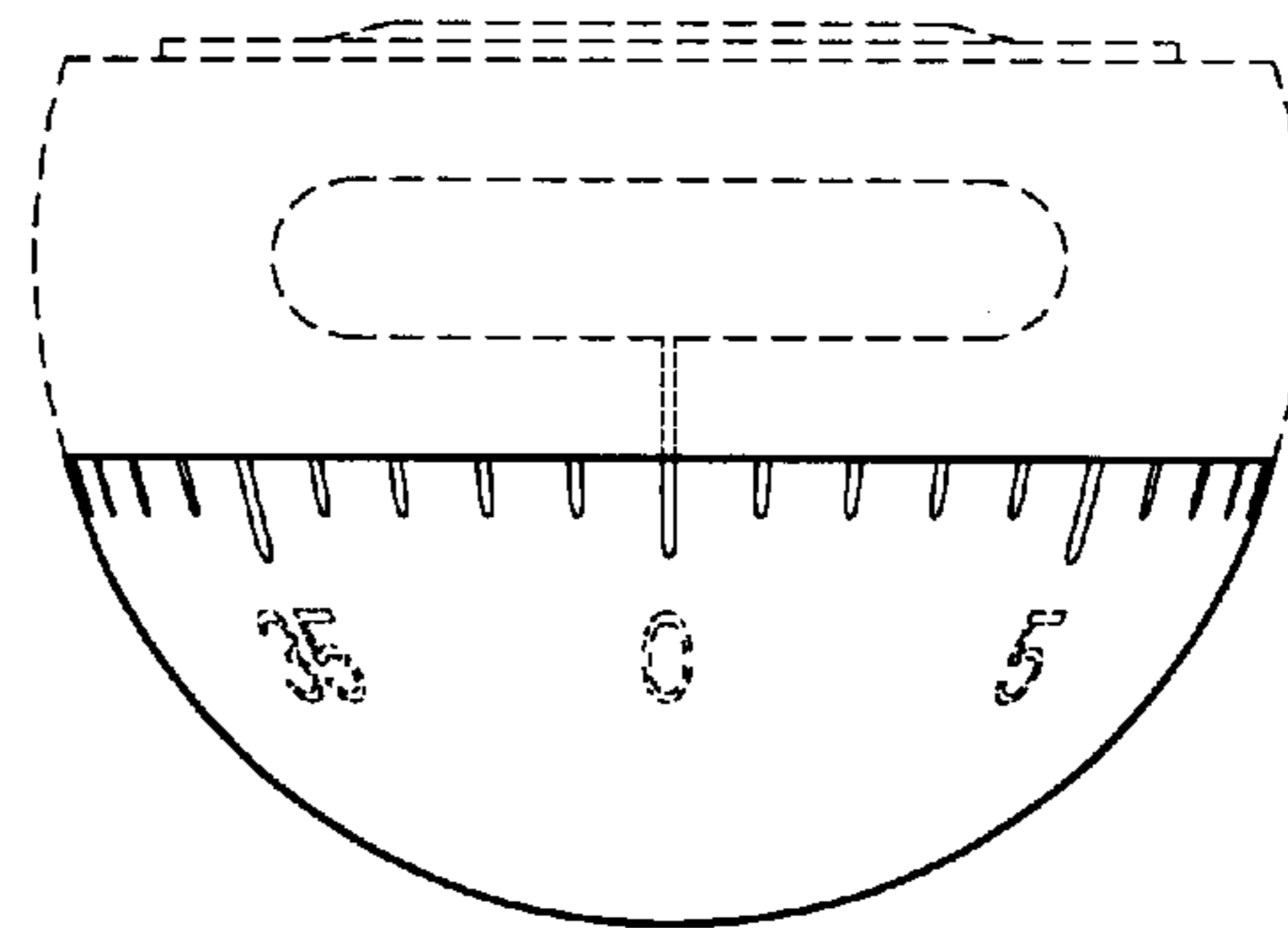
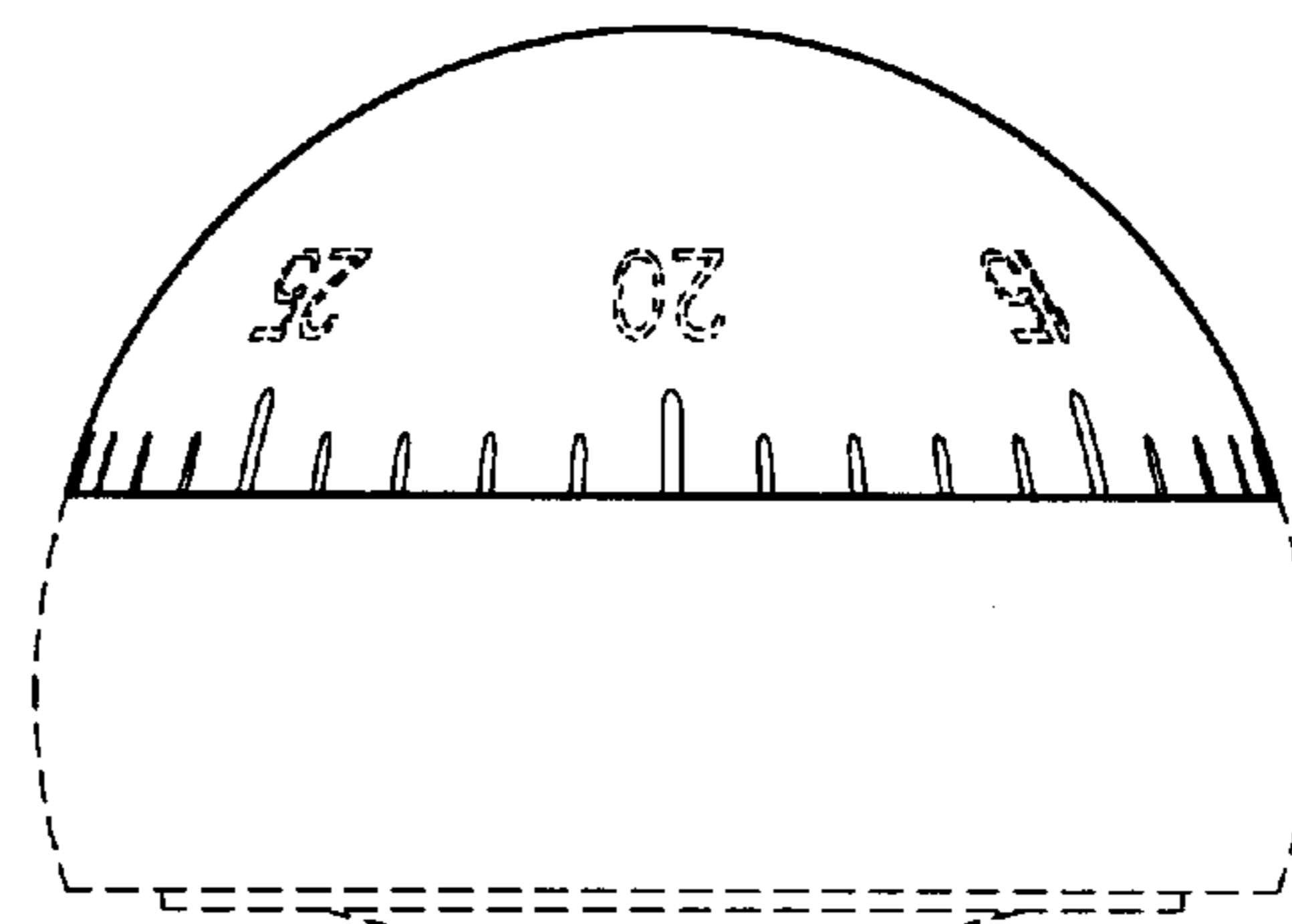


FIG. 3



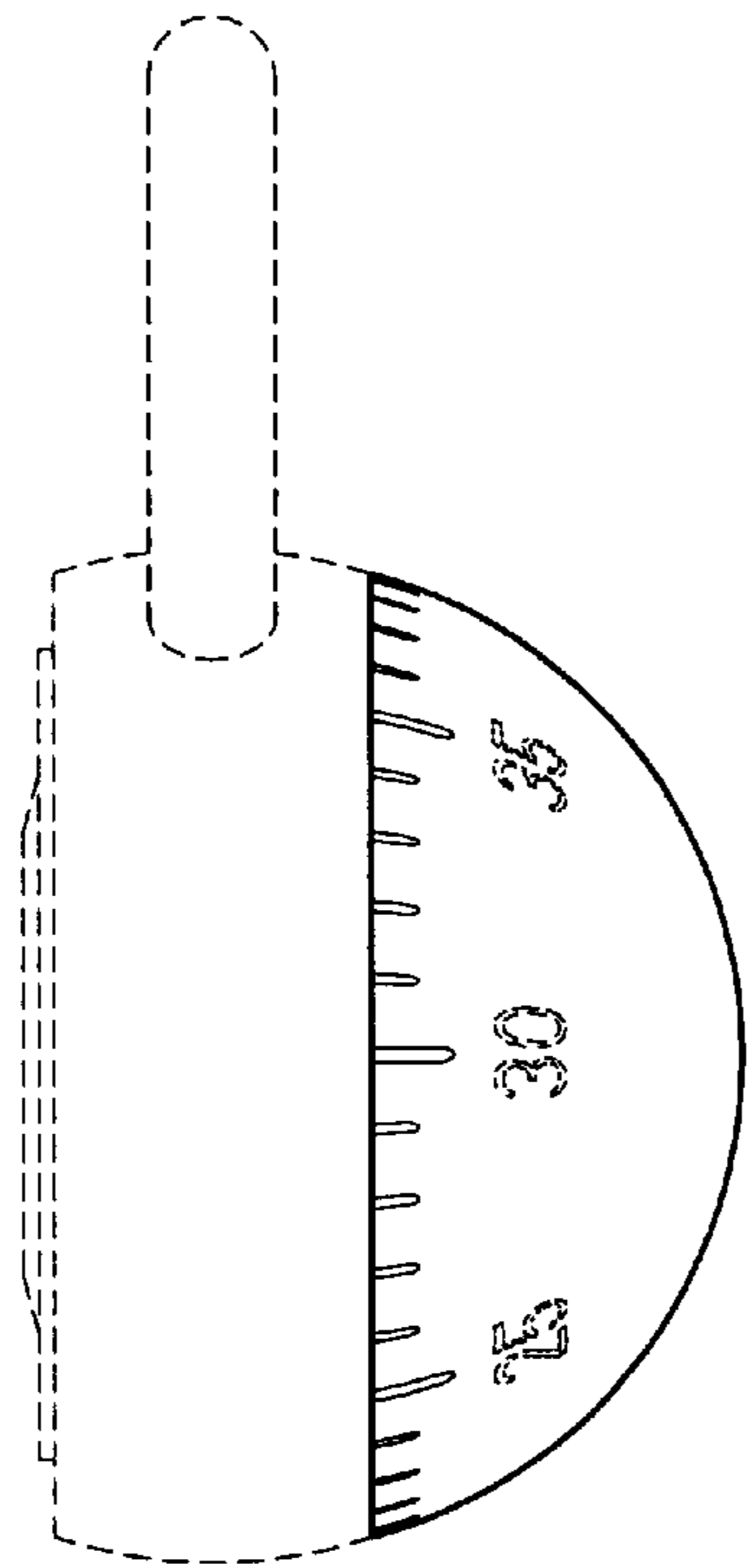


FIG. 4

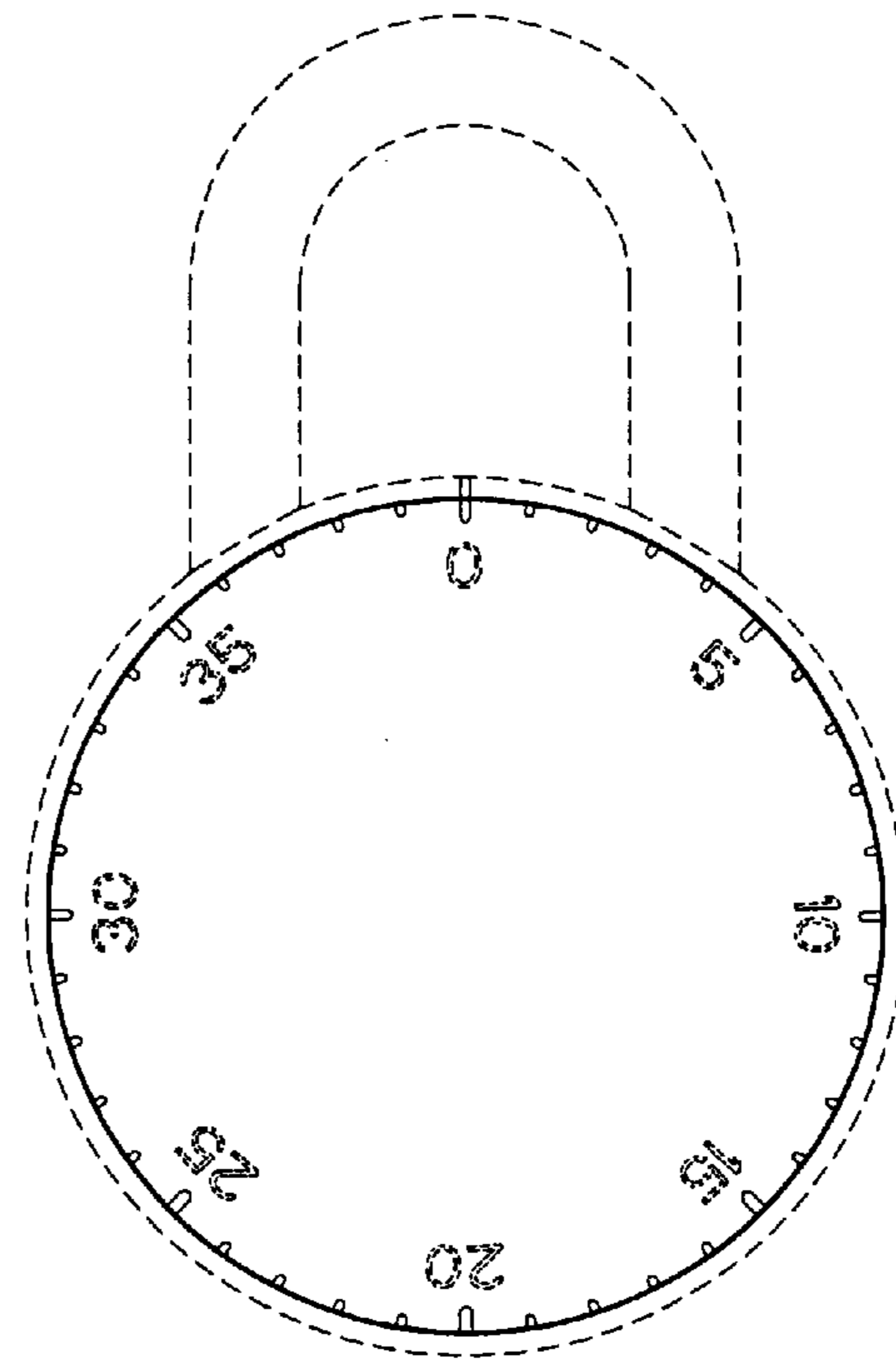


FIG. 5

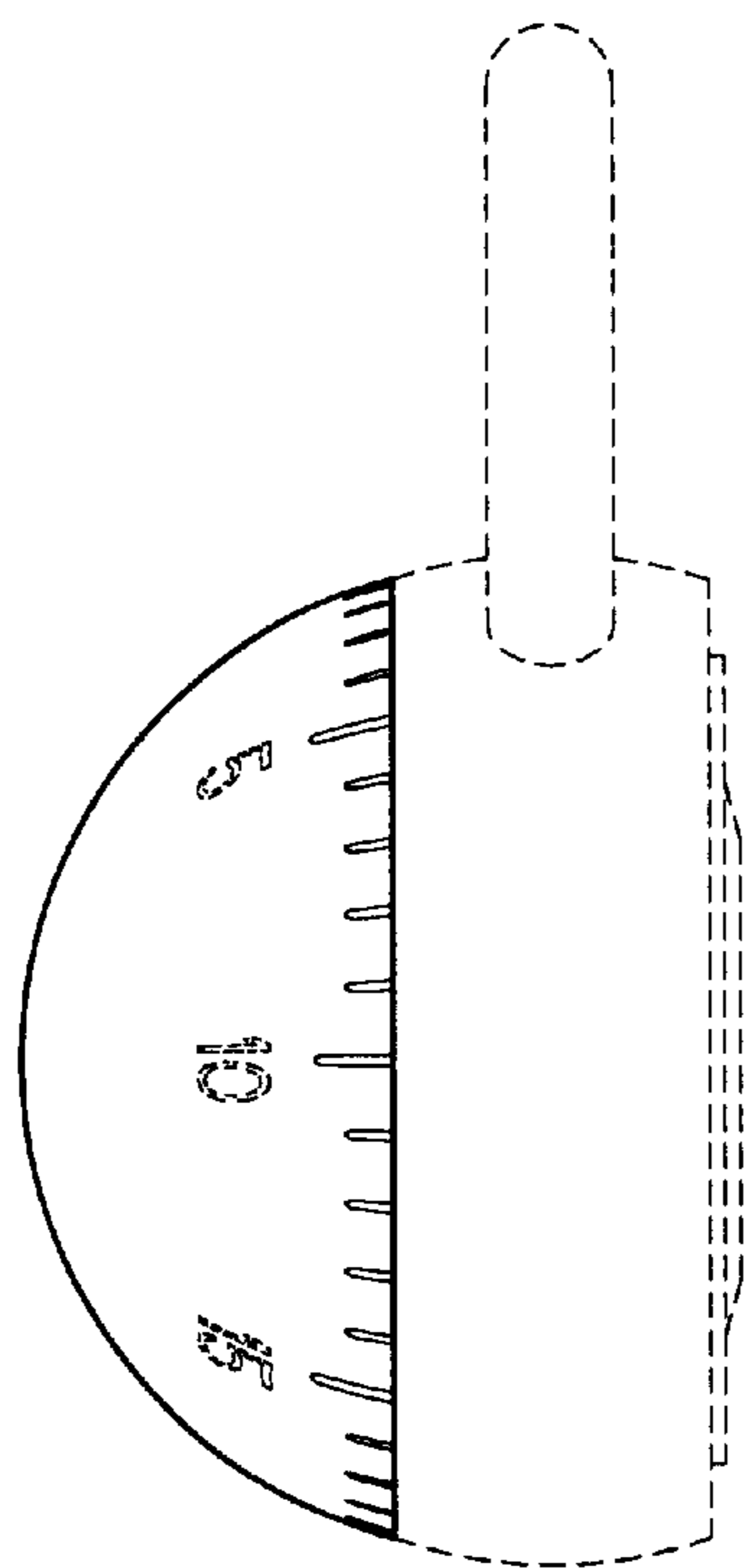


FIG. 6

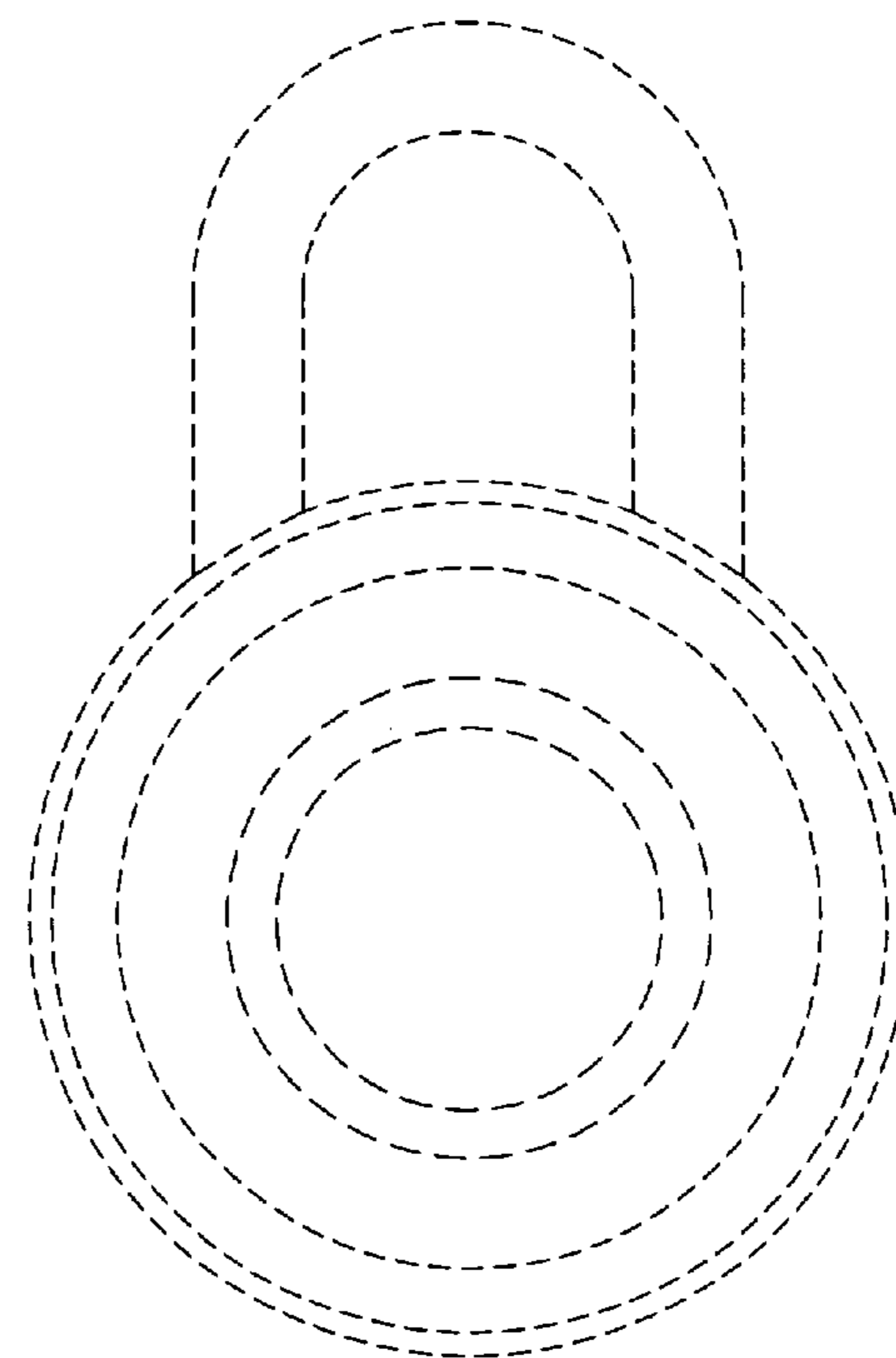


FIG. 7