

US00D507472S

(12) **United States Design Patent**  
**Arnold**

(10) **Patent No.:** **US D507,472 S**

(45) **Date of Patent:** **\*\* Jul. 19, 2005**

(54) **MAGNETIC DOOR LOCK**

(76) **Inventor:** **Steven K. Arnold, P.O. Box 753,**  
**Arlington, TX (US) 76004**

(\*\*) **Term:** **14 Years**

(21) **Appl. No.:** **29/204,807**

(22) **Filed:** **May 4, 2004**

(51) **LOC (8) Cl. .... 08-07**

(52) **U.S. Cl. .... D8/331**

(58) **Field of Search .... D8/330, 331, 339,**  
**D8/341, 346, 301; 70/91, 101, 102, 158,**  
**277, 278.1, 413, 287, 288, 276**

(56) **References Cited**

**U.S. PATENT DOCUMENTS**

3,901,542 A	8/1975	Salzman et al.	
4,184,277 A	1/1980	Larin	
4,409,806 A	* 10/1983	Propst	70/276
D271,374 S	* 11/1983	Butts	D8/353
D288,899 S	* 3/1987	Floyd et al.	D8/330
4,763,937 A	8/1988	Sittnick, Jr. et al.	
D305,861 S	* 2/1990	Kautt	D8/330
5,085,062 A	* 2/1992	Capdevila	70/276
5,133,581 A	7/1992	Coleman	
5,179,850 A	* 1/1993	Capdevila Mas	70/276
5,184,854 A	2/1993	Chen	
5,339,661 A	* 8/1994	Eisermann	70/276
5,376,910 A	12/1994	Goringeer et al.	

D360,124 S	* 7/1995	Gartner	D8/330
5,496,079 A	3/1996	Frolov	
5,516,166 A	5/1996	Frolov et al.	
5,664,449 A	* 9/1997	Sedley	70/276
D405,345 S	* 2/1999	Hankel et al.	D8/331
6,609,738 B1	8/2003	Roth et al.	
D501,131 S	* 1/2005	Oskamp et al.	D8/331

**OTHER PUBLICATIONS**

ADI Product Catalog, Autumn 2003, Melville, NY, pp. 168-169.

\* cited by examiner

*Primary Examiner*—Prabhakar Deshmukh  
(74) *Attorney, Agent, or Firm*—Geoffrey A. Mantooth

(57) **CLAIM**

The ornamental design for a magnetic door lock, as shown and described.

**DESCRIPTION**

FIG. 1 is an isometric view of the magnetic door lock, showing my new design;  
FIG. 2 is a left side view thereof;  
FIG. 3 is a right side view thereof;  
FIG. 4 is a bottom view thereof;  
FIG. 5 is a front view thereof;  
FIG. 6 is a top view thereof; and,  
FIG. 7 is a back view thereof.

**1 Claim, 2 Drawing Sheets**

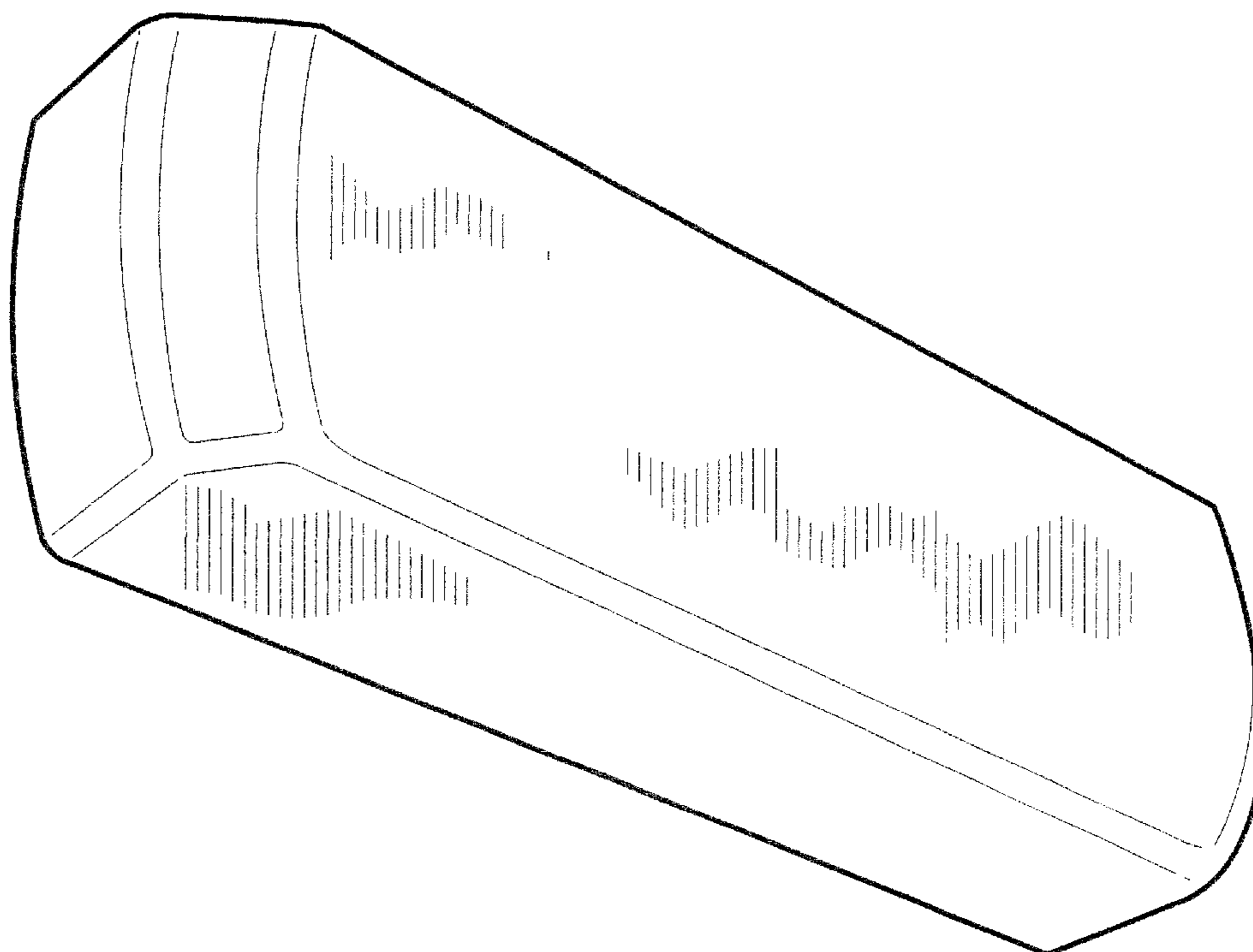


FIG. 1

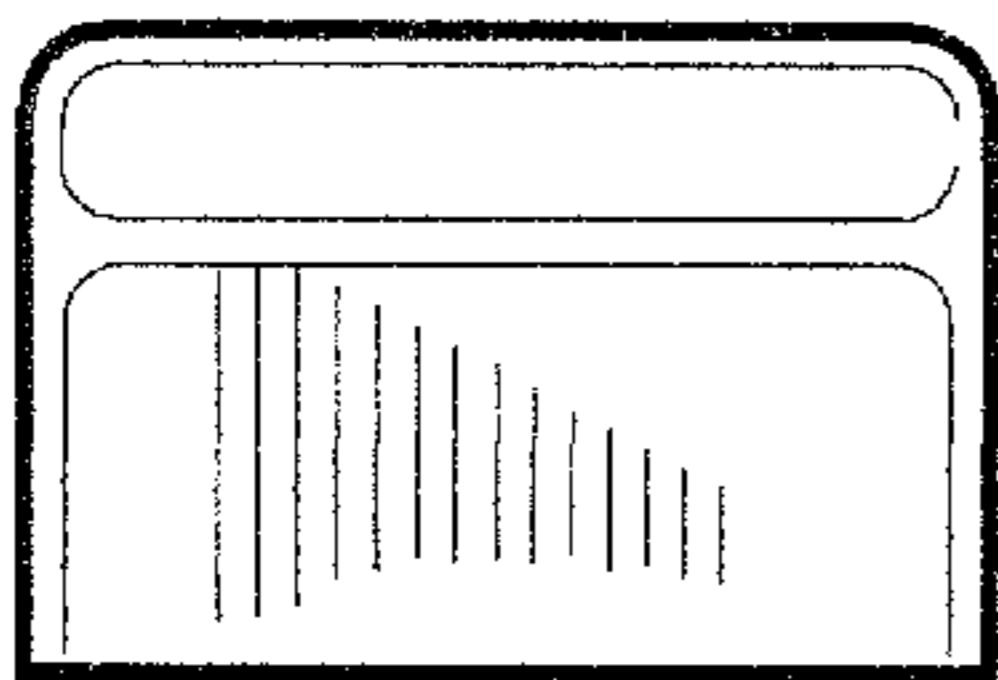
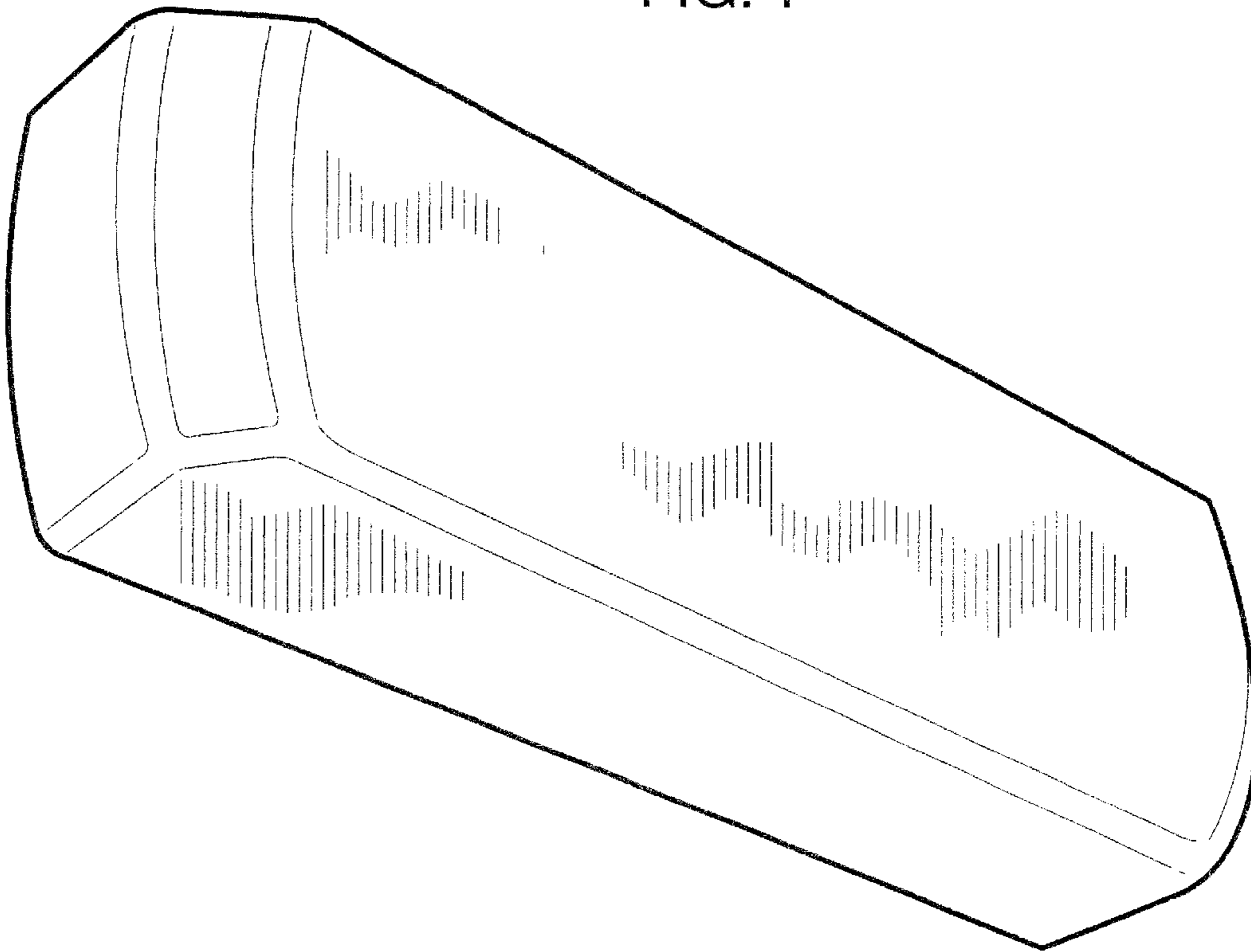


FIG. 2

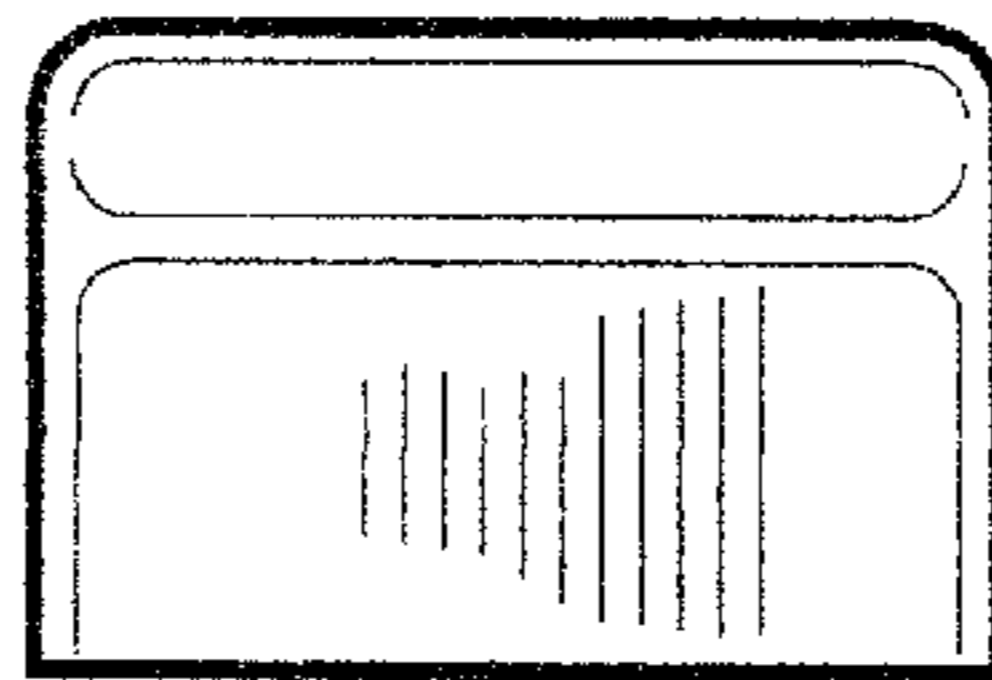


FIG. 3

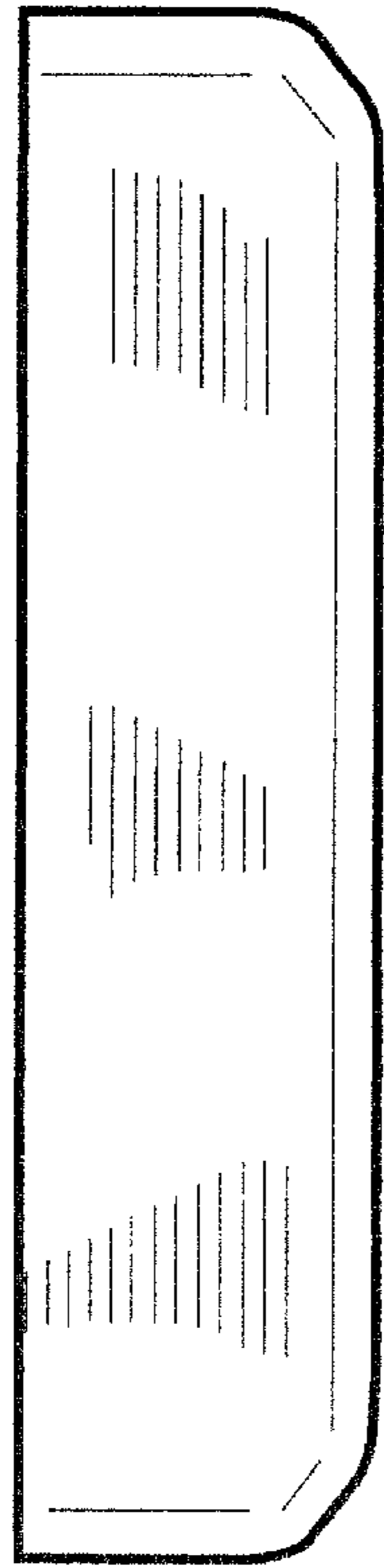


FIG. 4

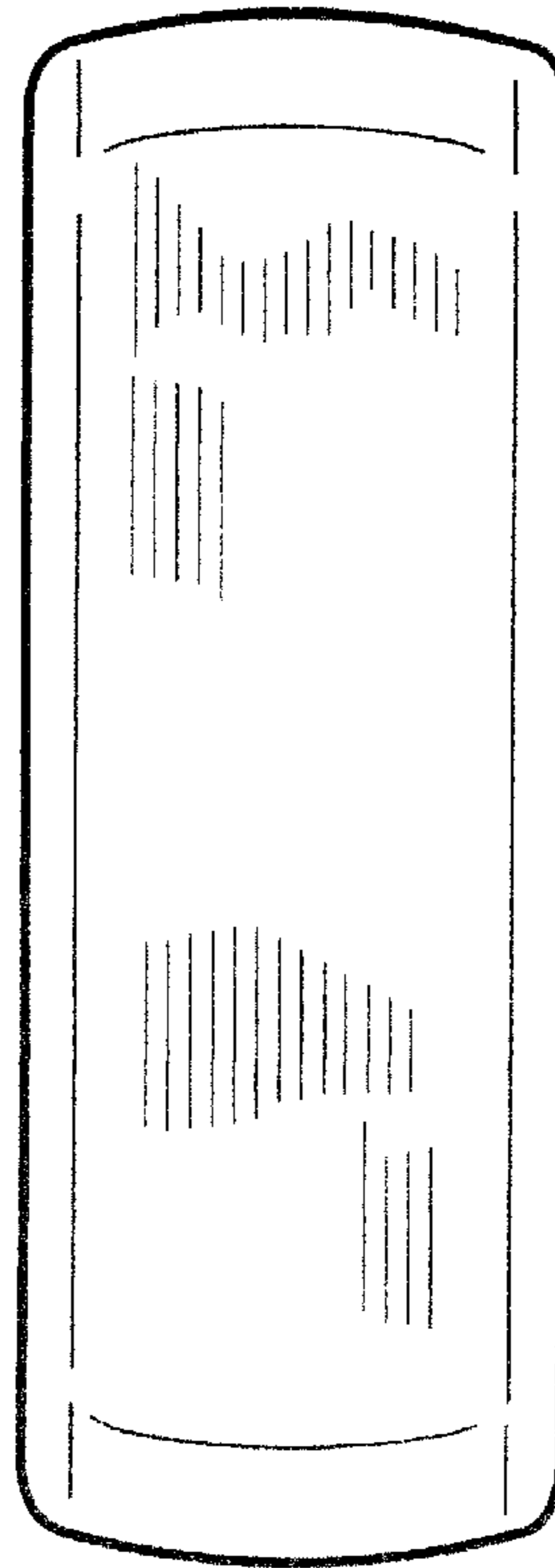


FIG. 5

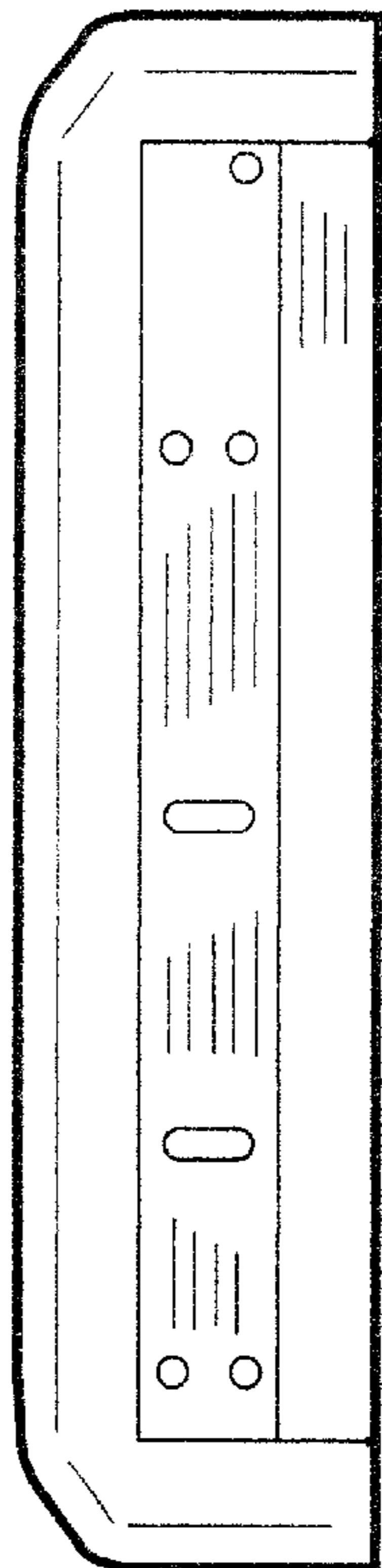


FIG. 6

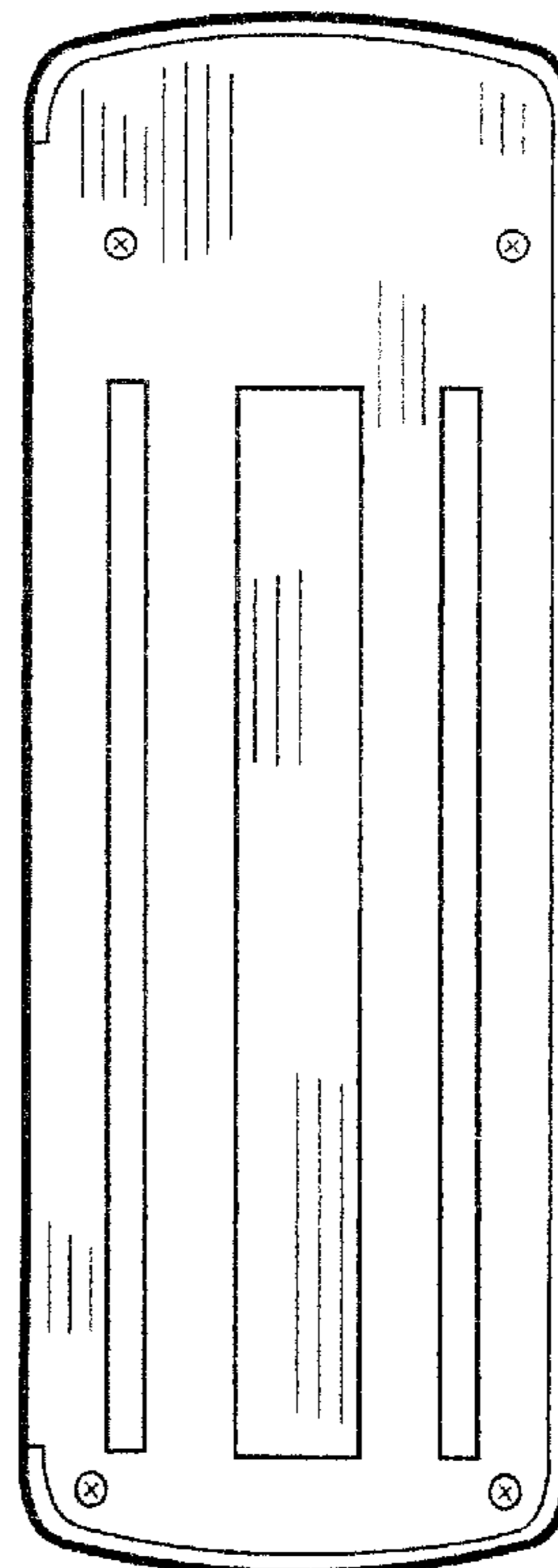


FIG. 7