

US00D507465S

(12) **United States Design Patent**  
**Hu**

(10) **Patent No.:** **US D507,465 S**

(45) **Date of Patent:** **\*\* Jul. 19, 2005**

(54) **WRENCH**

D443,189 S \* 6/2001 Li-Chen ..... D8/28  
D451,352 S \* 12/2001 Wright ..... D8/28

(76) **Inventor:** **Bobby Hu**, 8F, No. 536-1, Ta Chin Street, Taichung (TW)

(\*\*) **Term:** **14 Years**

(21) **Appl. No.:** **29/203,226**

(22) **Filed:** **Apr. 12, 2004**

(30) **Foreign Application Priority Data**

Nov. 7, 2003 (TW) ..... 92306745

(51) **LOC (8) Cl.** ..... **08-05**

(52) **U.S. Cl.** ..... **D8/27; D8/21; D8/28**

(58) **Field of Search** ..... D8/17, 21-29;  
81/176.1, 119, 186, 177.1, 177.8, 177.9,  
185.1, 120, 121.1, 125.1, 177.85, 3.4

(56) **References Cited**

**U.S. PATENT DOCUMENTS**

1,692,911 A \* 11/1928 Vaughn ..... 81/186  
3,029,673 A \* 4/1962 Mitchell ..... D8/28  
4,979,407 A \* 12/1990 Hernandez et al. .... 81/3.4  
D409,061 S \* 5/1999 Hsieh ..... D8/28  
D435,412 S \* 12/2000 Bentley ..... D8/28

**OTHER PUBLICATIONS**

Snap-on p. 168, 1994.\*  
Leaway Catalog, Aug. 15, 1995.\*

\* cited by examiner

*Primary Examiner*—Raphael Barkai

(74) *Attorney, Agent, or Firm*—Alan D. Kamrath; Nikolai & Mersereau, P.A.

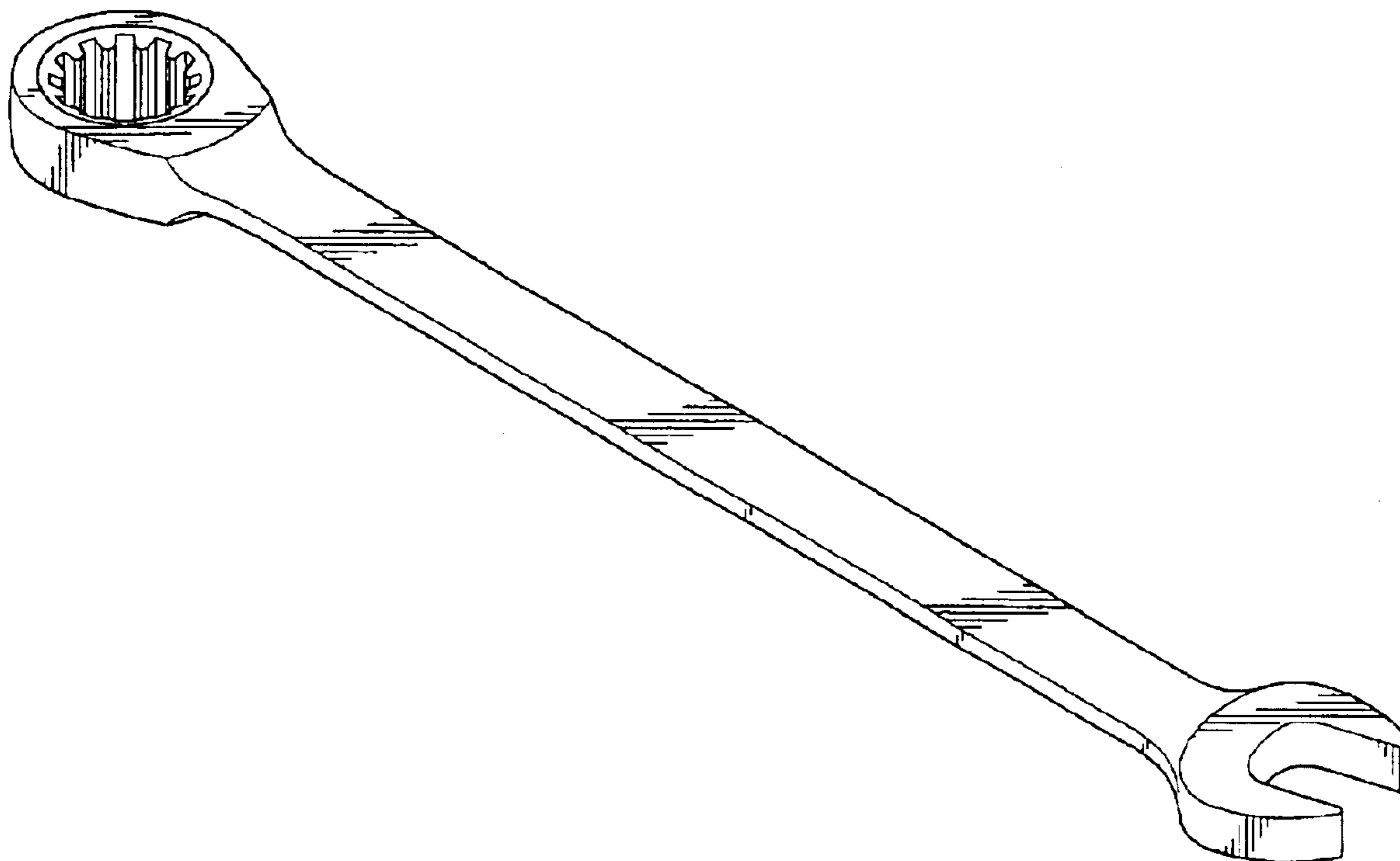
(57) **CLAIM**

The ornamental design for wrench, as shown and described.

**DESCRIPTION**

FIG. 1 is a perspective view of a wrench showing my new design;  
FIG. 2 is a front view thereof;  
FIG. 3 is a rear view thereof;  
FIG. 4 is a left view thereof;  
FIG. 5 is a right view thereof; and,  
FIG. 6 is a top view thereof; and the opposite side being a mirror image of the shown.

**1 Claim, 1 Drawing Sheet**



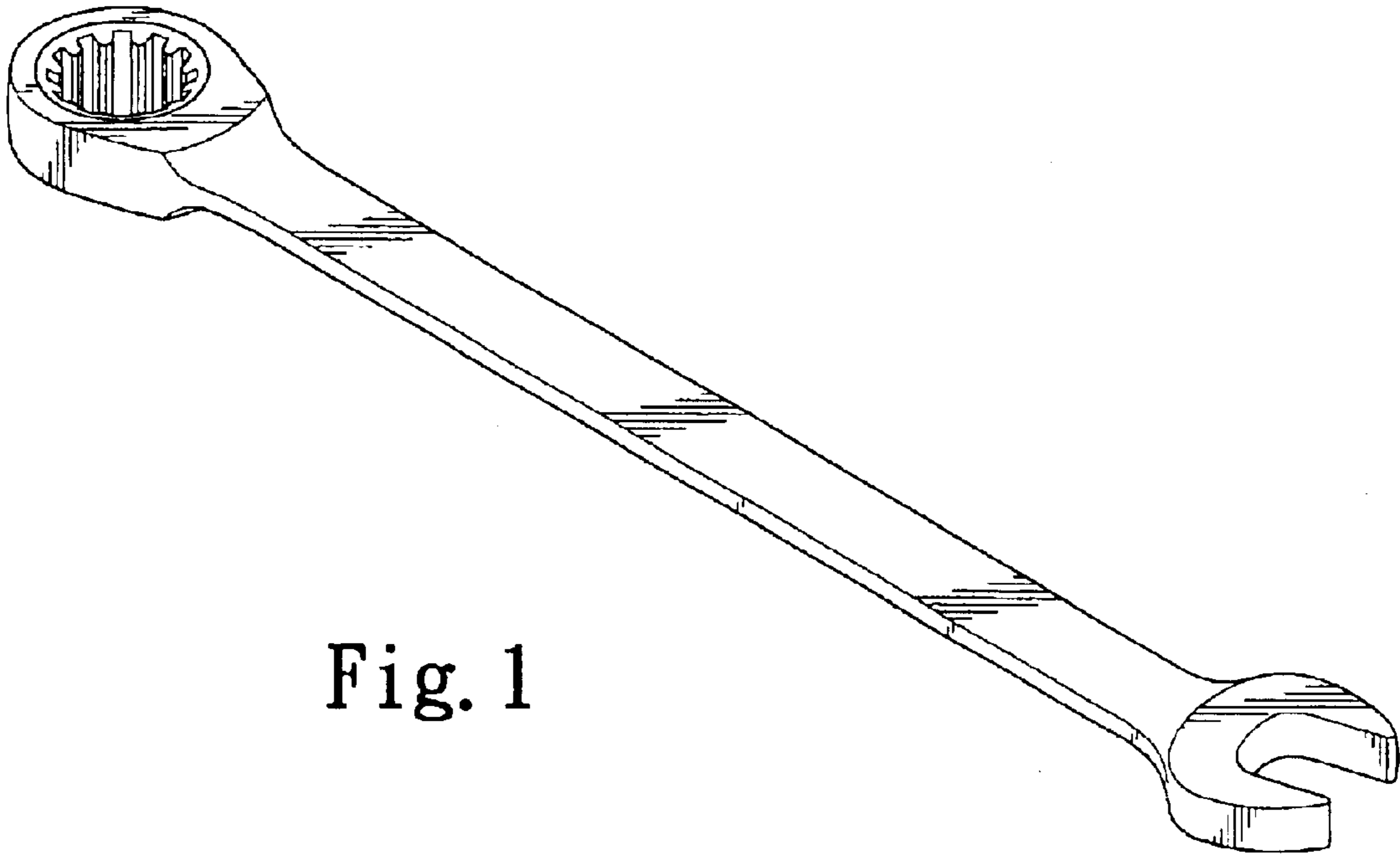


Fig. 1

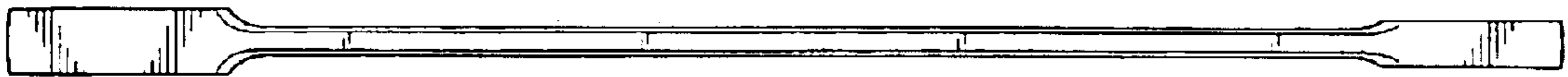


Fig. 2

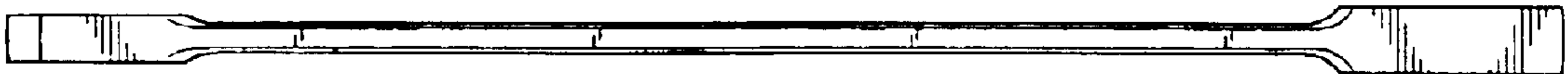


Fig. 3

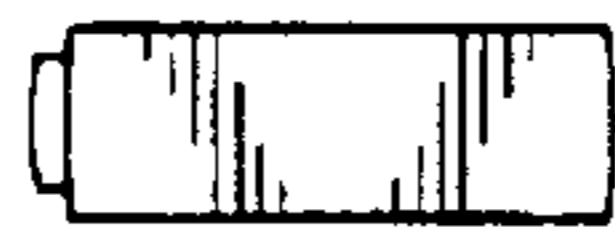


Fig. 4



Fig. 5

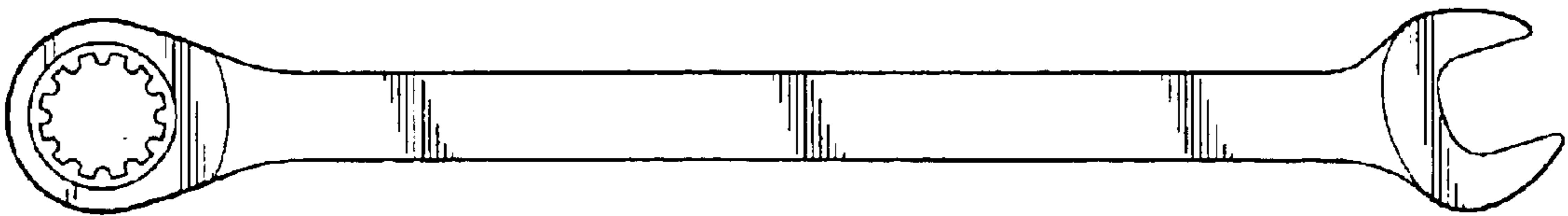


Fig. 6