

US00D507458S

(12) **United States Design Patent** (10) **Patent No.:** **US D507,458 S**
Allen et al. (45) **Date of Patent:** **** Jul. 19, 2005**

(54) **TRAVEL CUP** D381,869 S * 8/1997 Jeppesen et al. D7/532
D437,185 S * 2/2001 Freed D7/510
D445,001 S 7/2001 Lin
D454,467 S 3/2002 Magermans et al.
D457,395 S * 5/2002 Gluck D7/510
D459,139 S 6/2002 Vlooswijk et al.
D462,576 S * 9/2002 Janky D7/510
D479,669 S * 9/2003 Norris et al. D7/532
D486,695 S * 2/2004 Chuang D7/532
D490,654 S * 6/2004 Allen et al. D7/515

(21) Appl. No.: **29/212,550**

(22) Filed: **Sep. 2, 2004**

(51) **LOC (8) Cl.** **07-01**

(52) **U.S. Cl.** **D7/532; D7/523**

(58) **Field of Search** D7/507, 509, 529,
D7/530, 523, 510, 511, 533, 536, 5, 629.9,
532, 515; D9/530, 537; D24/197; 248/346.1;
220/703, 670, 596.16, 596.17, 705, 719,
710.5, 713; 215/DIG. 7, 387, 377, 384;
366/341

(56) **References Cited**

U.S. PATENT DOCUMENTS

D7,342 S 3/1874 Bakewell, Jr.
D54,363 S 2/1920 Richardson et al.
D85,091 S * 9/1931 Fletcher D7/523
D107,988 S * 1/1938 Hansen D7/523
D110,280 S * 6/1938 Fuerst D7/523
D111,766 S * 10/1938 Hansen D7/523
D167,578 S 8/1952 Lipson
4,052,037 A * 10/1977 Mair et al. 366/341
D248,658 S 7/1978 Buffington
D309,847 S 8/1990 Scheurer
D310,781 S 9/1990 Scott, III
D335,744 S 5/1993 Small et al.
D344,204 S 2/1994 Dixon
D377,738 S 2/1997 Thorne

* cited by examiner

Primary Examiner—M. N. Pandozzi

(74) *Attorney, Agent, or Firm*—Wong, Cabello, Lutsch,
Rutherford & Brucculeri, P.C.

(57) **CLAIM**

The ornamental design for a travel cup, as shown and described.

DESCRIPTION

FIG. 1 is a perspective view of a travel cup showing a new design.

FIG. 2 is a right side elevation view thereof.

FIG. 3 is a left side elevation view thereof.

FIG. 4 is a top plan view thereof.

FIG. 5 is a back elevation view thereof.

FIG. 6 is a front elevation view thereof; and,

FIG. 7 is a bottom plan view thereof.

The broken lines in the drawings are for illustrative purposes only and form no part of the claimed design.

This application is filed concurrently with U.S. Design Application having express mail No. EV468039884US, Ser. No. 29/212,510, and entitled “Cooler” and U.S. Design Application having express mail No. EV405193476US, Ser. No. 29/212,514, and entitled “Cooler.”

1 Claim, 2 Drawing Sheets

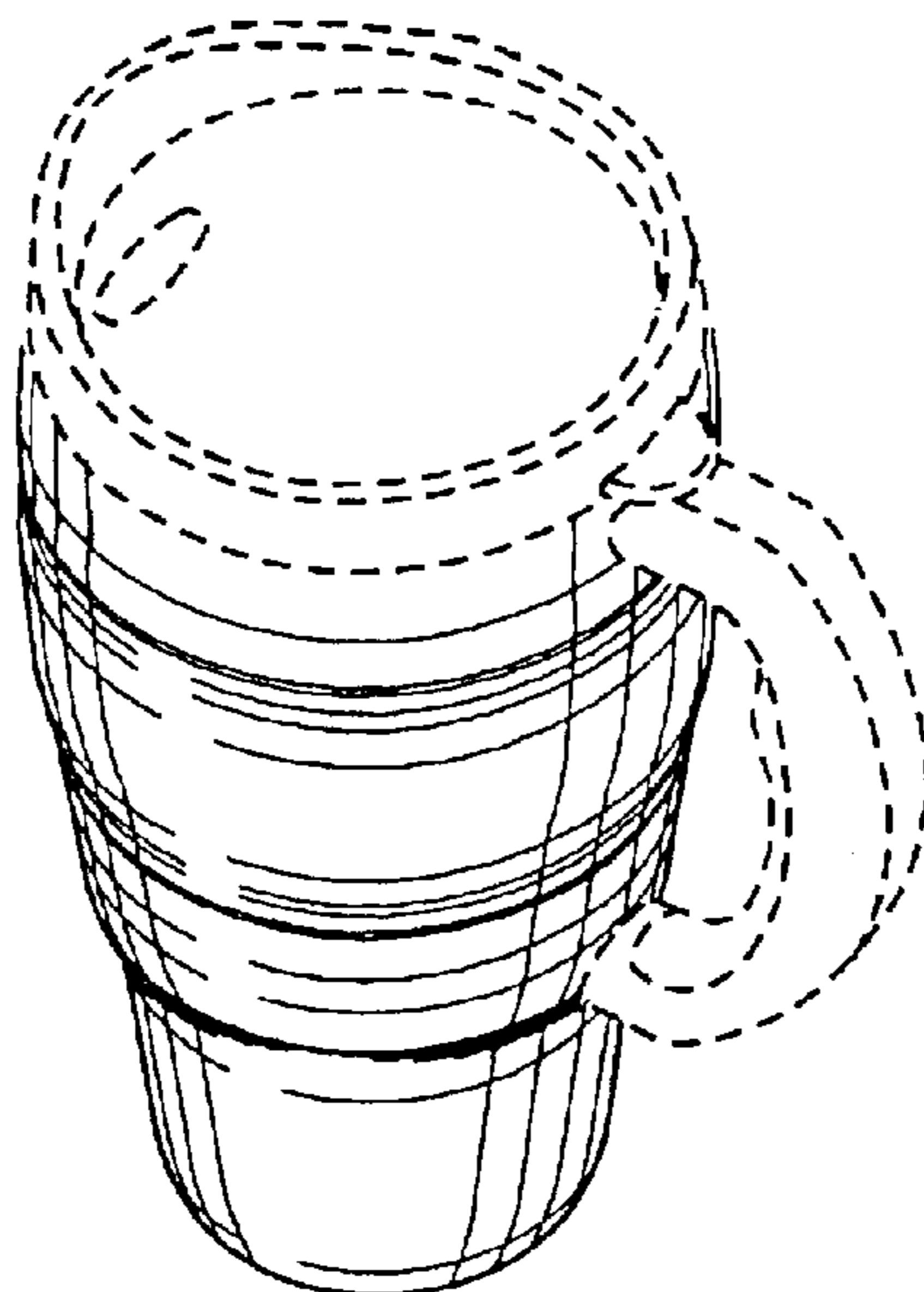


FIG. 1

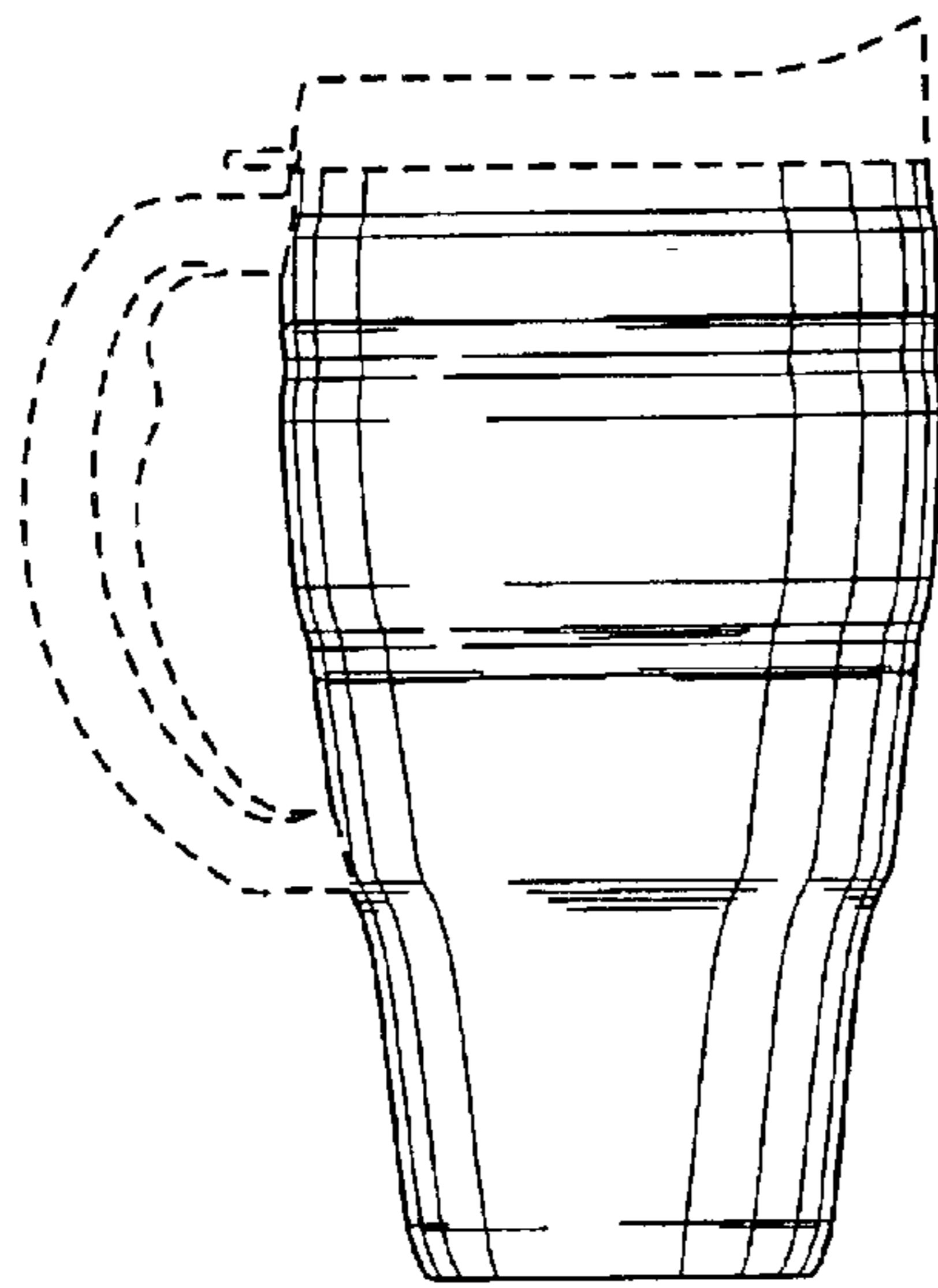
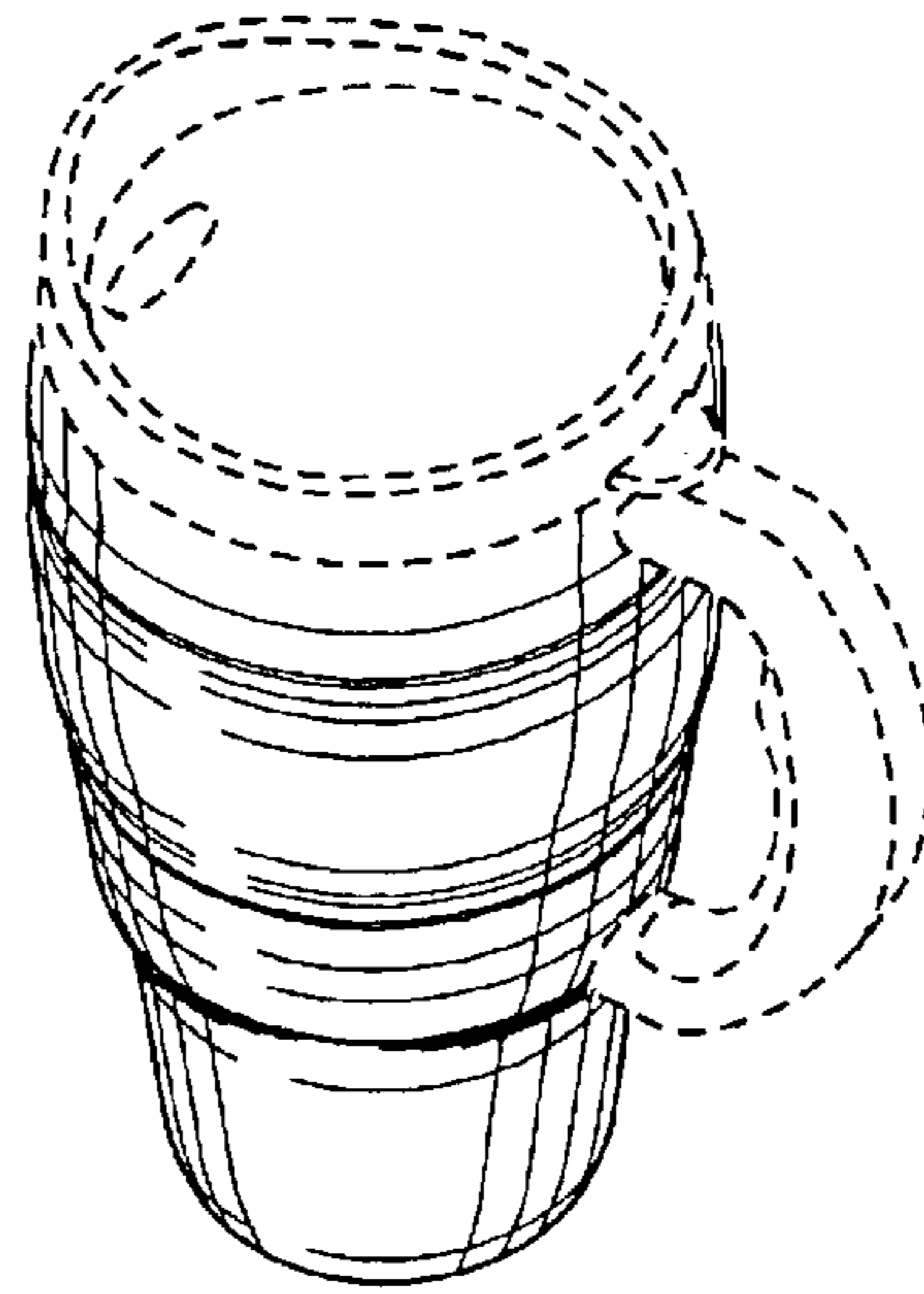


FIG. 2

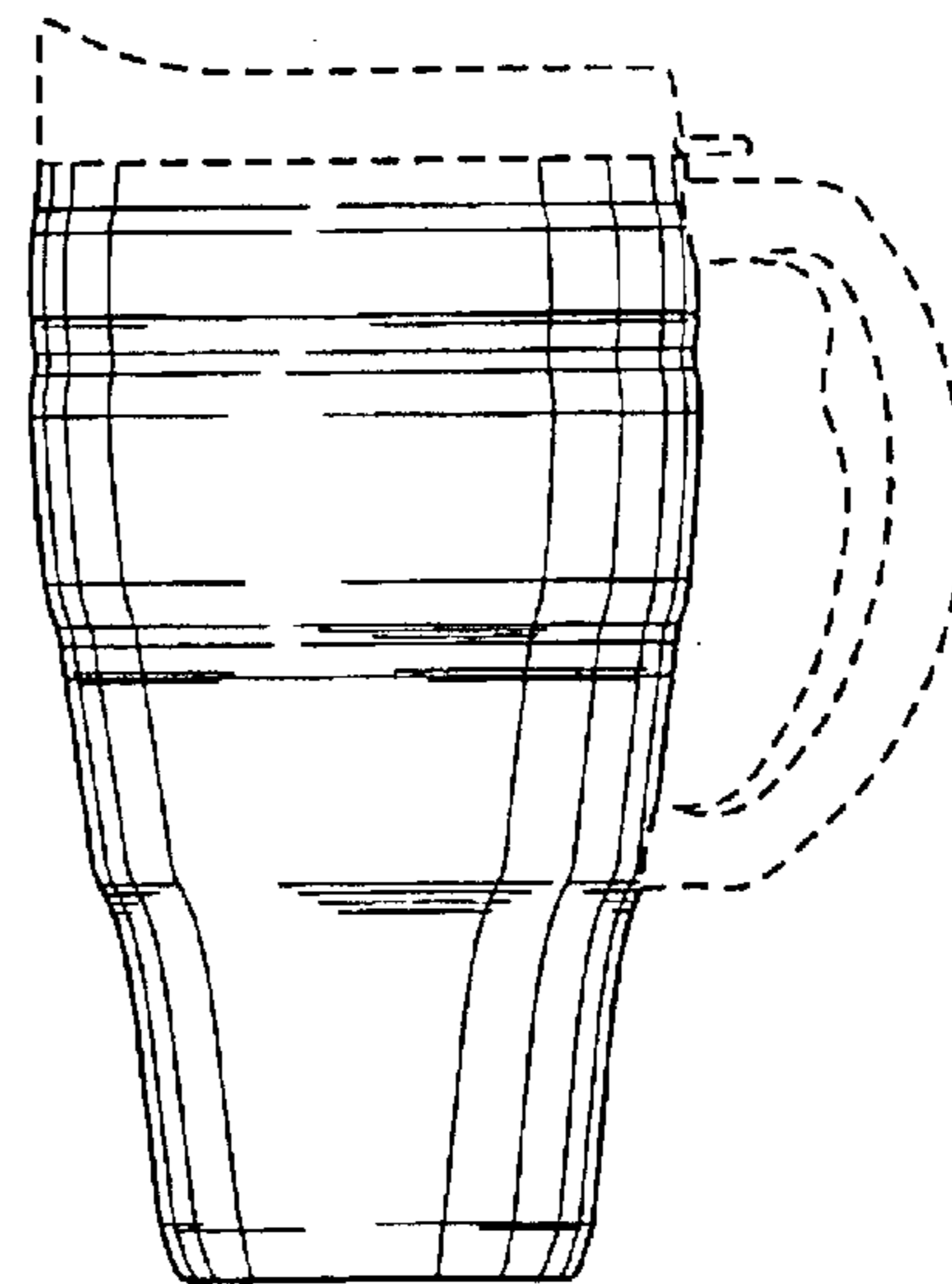


FIG. 3

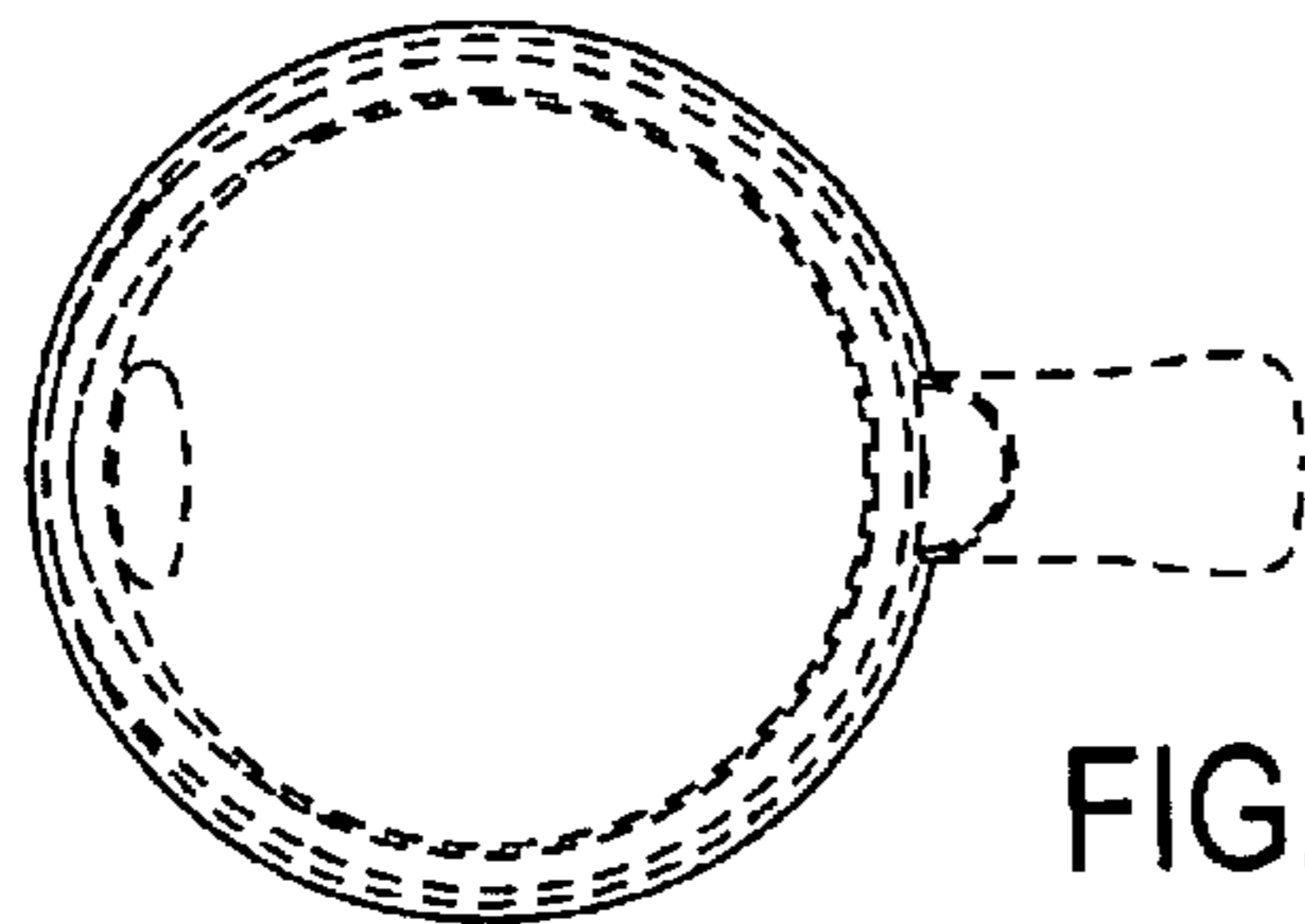


FIG. 4

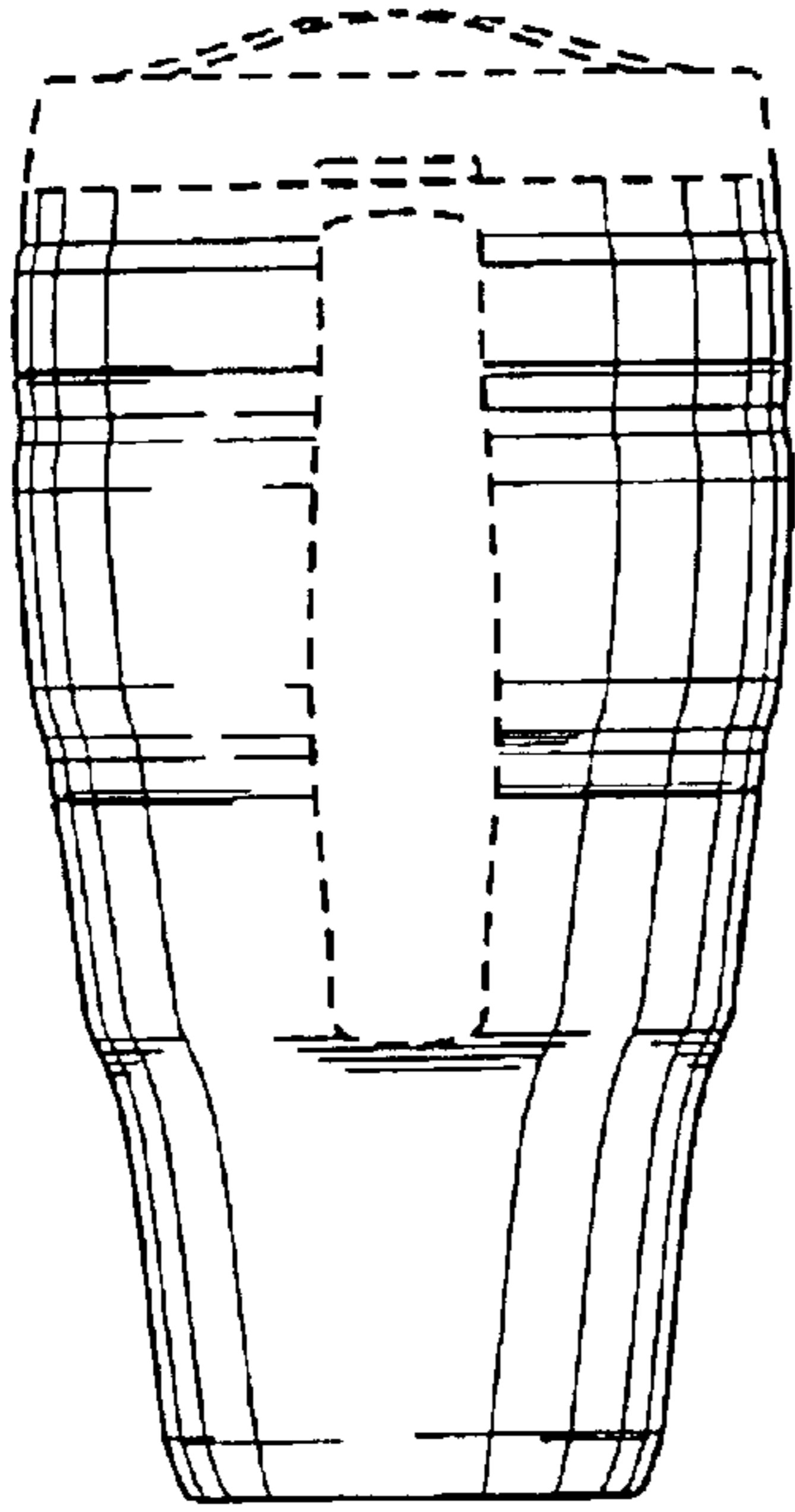


FIG. 5

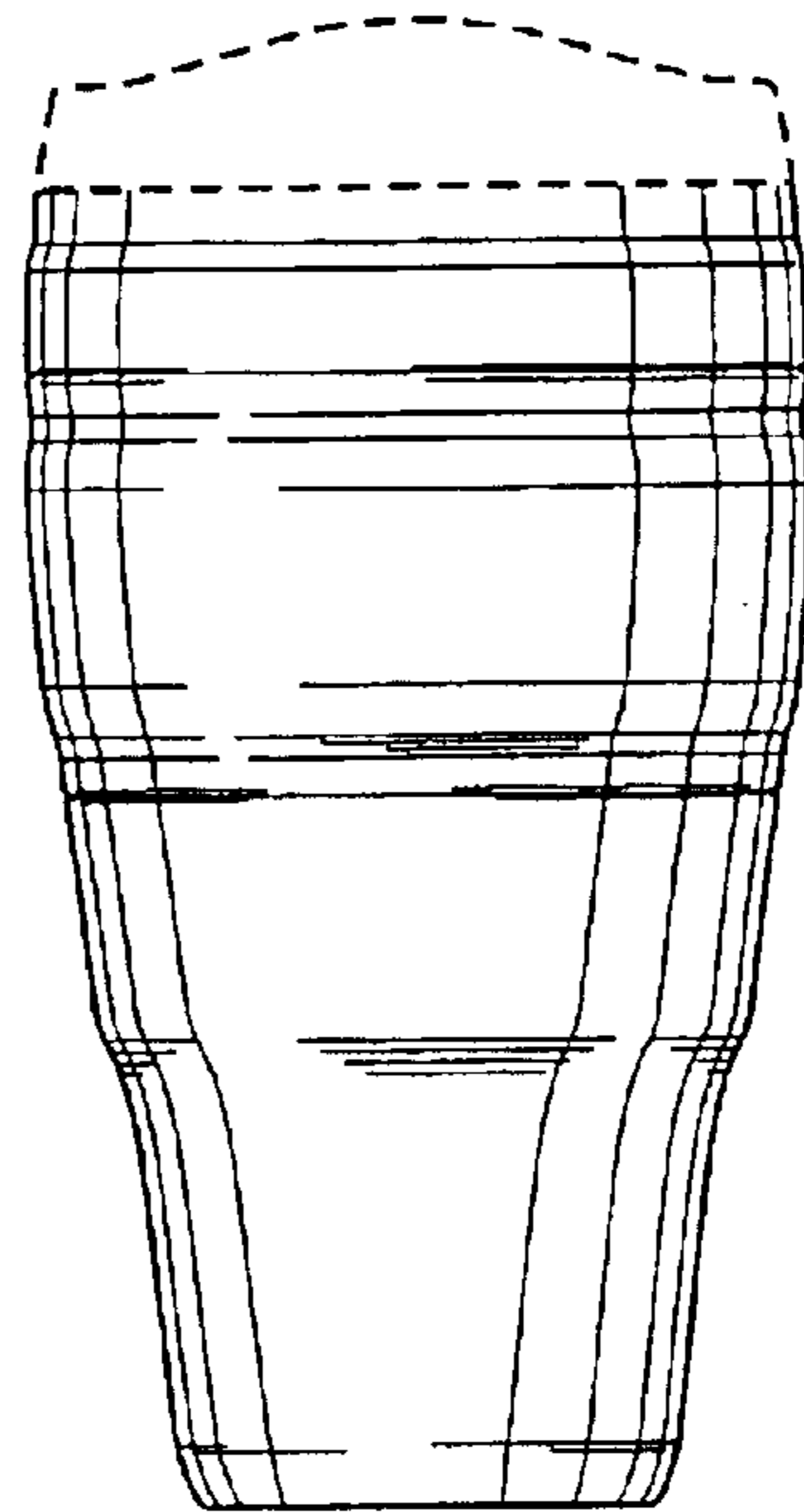


FIG. 6

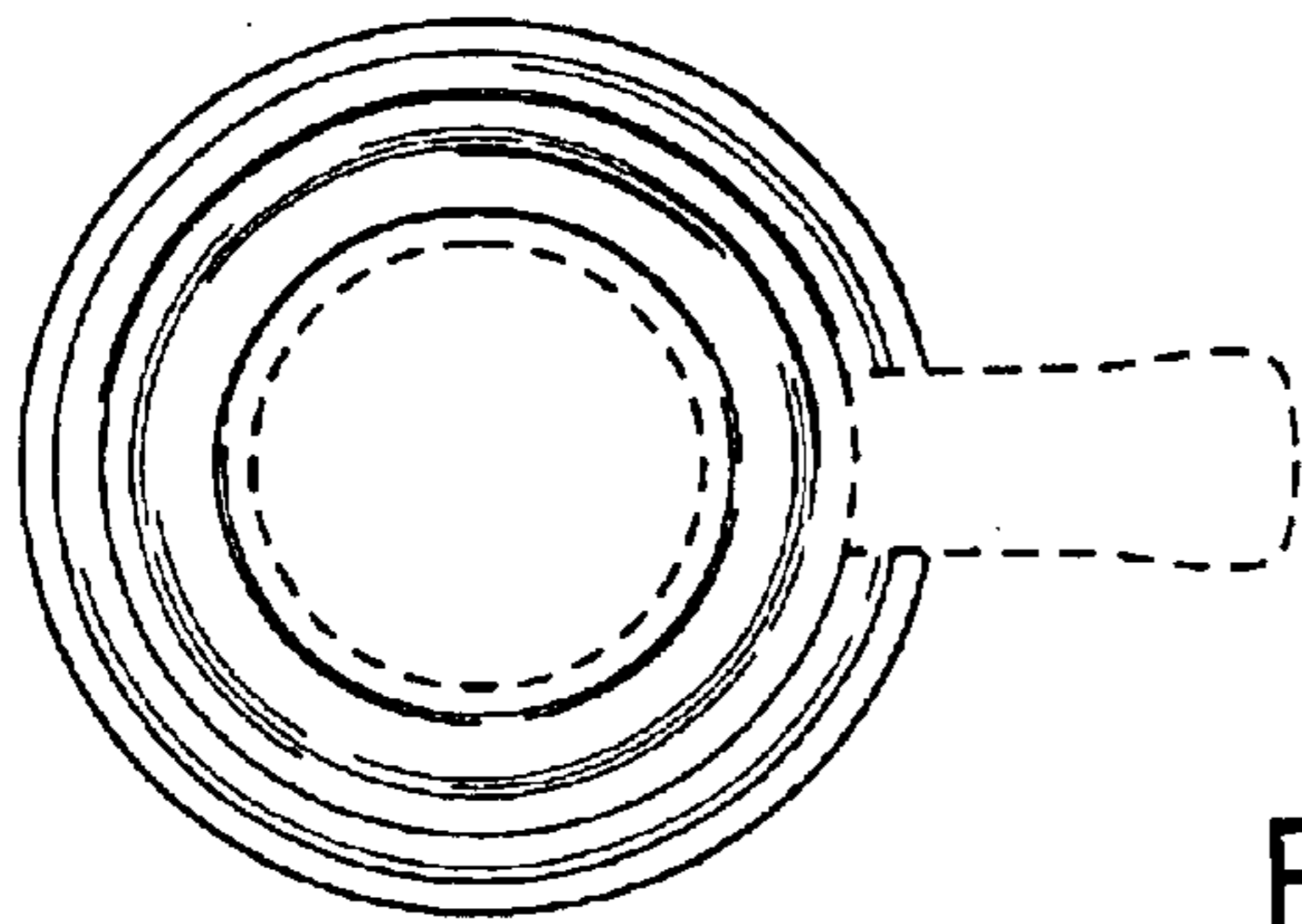


FIG. 7