

US00D507455S

(12) **United States Design Patent**
Bertulis

(10) **Patent No.:** **US D507,455 S**
(45) **Date of Patent:** **** Jul. 19, 2005**

(54) **SOFT SERVE ICE CREAM MIXER**

(75) Inventor: **Eugenia Bertulis**, Seattle, WA (US)

(73) Assignee: **Progressive Internation Corp.**, Kent, WA (US)

(**) Term: **14 Years**

(21) Appl. No.: **29/197,696**

(22) Filed: **Jan. 20, 2004**

(51) **LOC (8) Cl.** **07-04**

(52) **U.S. Cl.** **D7/376; D7/372; D15/82**

(58) **Field of Search** **D15/79-91; D7/368, D7/372, 374, 376, 377, 378, 666, 668, 689, 672, 674, 678, 679, 681, 682, 300, 301, 312, 320, 589; D21/483, 532, 524, 525; 62/340-354, 371, 374, 376, 381, 389, 392, 397-399; 366/133, 147, 148, 186, 241, 244, 245-248, 252, 253, 259, 279, 283, 310, 318, 328.3; 241/82.1, 82.3, 82.5, 83, 86, 88, 101.8, 169.1, 282.1, 282.2, 285.1, 285.2, DIG. 17; 99/452, 455, 466; 446/475, 479, 482**

(56) **References Cited**

U.S. PATENT DOCUMENTS

399,587 A * 3/1889 Warren 241/82.1
D56,561 S * 11/1920 Larsen D15/82
2,145,421 A * 1/1939 Jungbecker 425/302.1

D156,557 S * 12/1949 Piker D7/678
2,657,022 A * 10/1953 Spiess, Jr. et al. 366/300
D233,123 S * 10/1974 Rigamonti D7/372
4,138,066 A * 2/1979 Mullins et al. 241/86
D260,351 S * 8/1981 Shun D7/372
4,452,823 A * 6/1984 Connolly et al. 426/115
4,669,275 A * 6/1987 Ohgushi et al. 62/342
D332,899 S * 2/1993 Shun D7/666
D359,423 S * 6/1995 Joergensen D7/679
D413,611 S * 9/1999 Wells D15/82
D466,138 S * 11/2002 Baldonado et al. D15/82

* cited by examiner

Primary Examiner—Catherine Tuttle

(74) *Attorney, Agent, or Firm*—Black Lowe & Graham PLLC

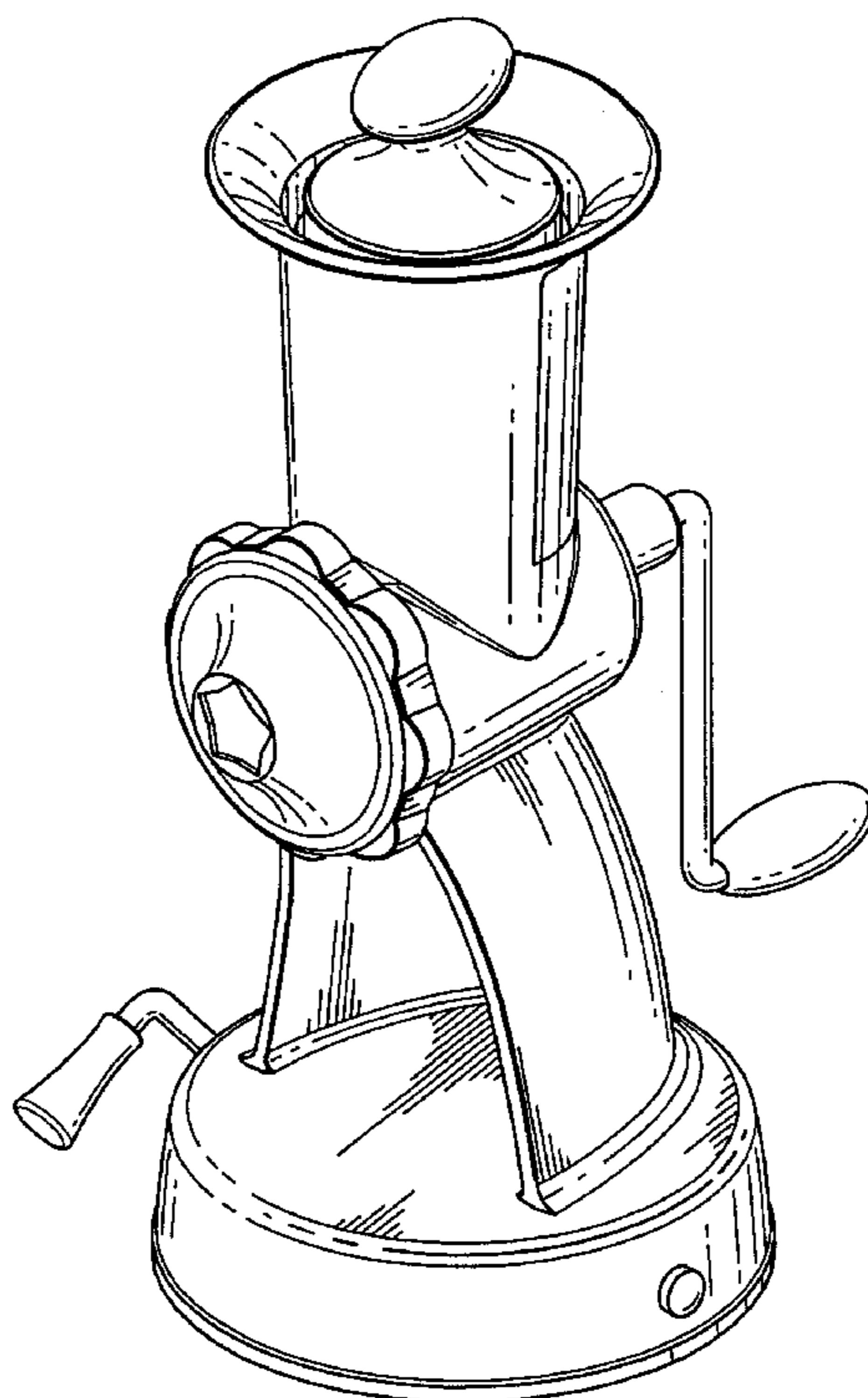
(57) **CLAIM**

I claim the ornamental design for soft serve ice cream mixer, as shown.

DESCRIPTION

FIG. 1 is a perspective view of the soft serve ice cream mixer;
FIG. 2 is a front view;
FIG. 3 is a back view;
FIG. 4 is a right side view;
FIG. 5 is a left side view;
FIG. 6 is a top view; and,
FIG. 7 is a bottom view.

1 Claim, 6 Drawing Sheets



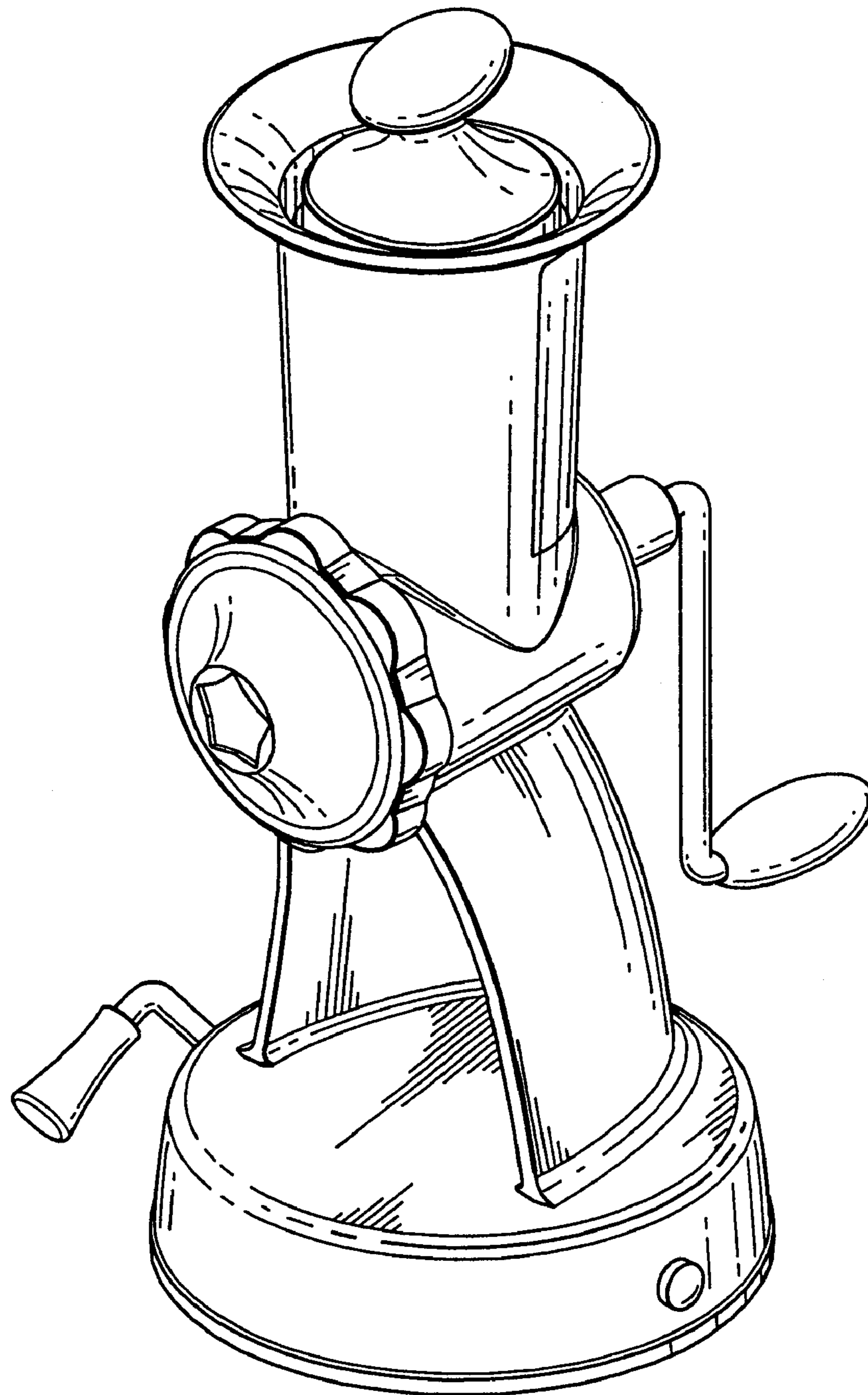


Fig. 1

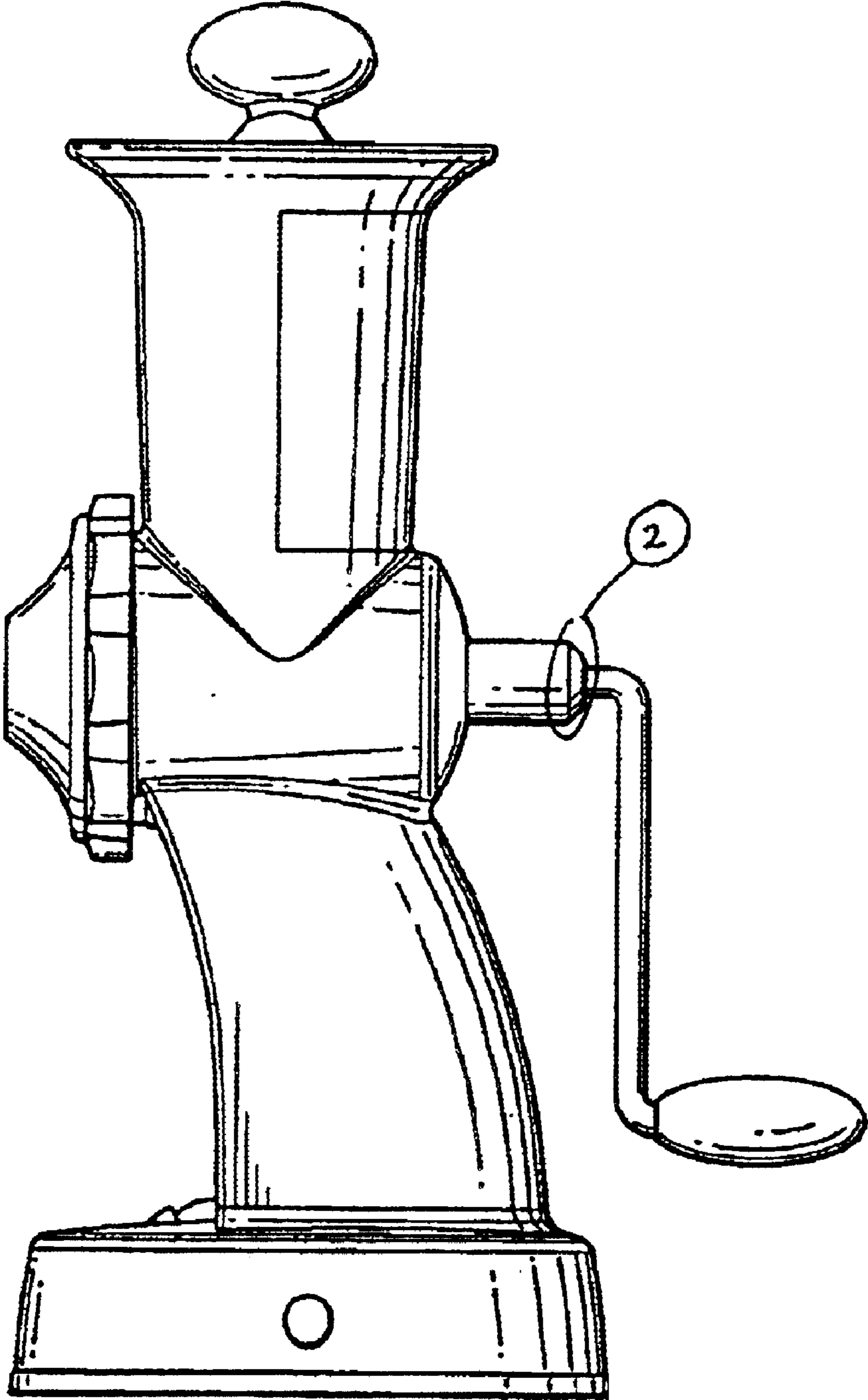


Fig. 2

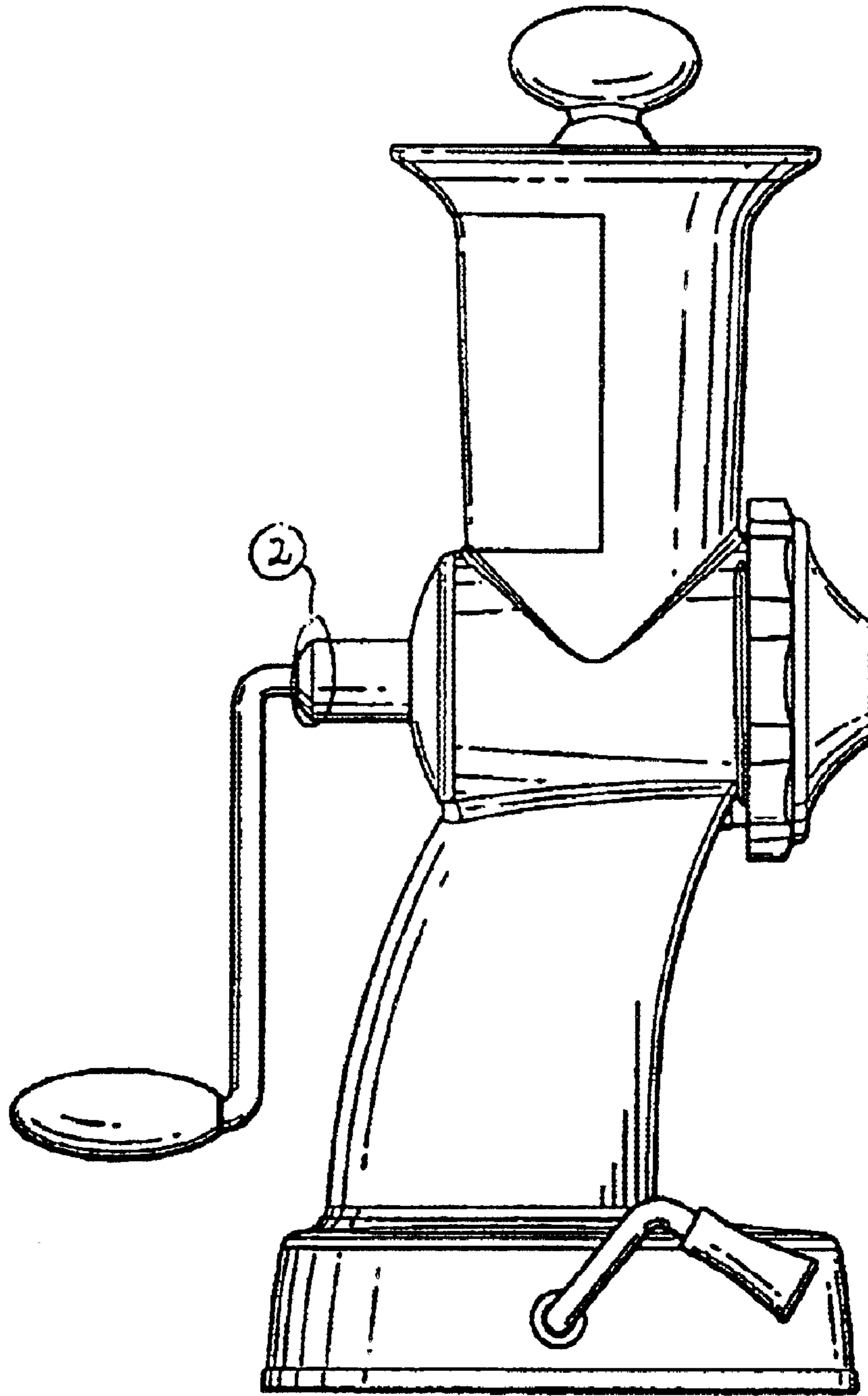


Fig. 3

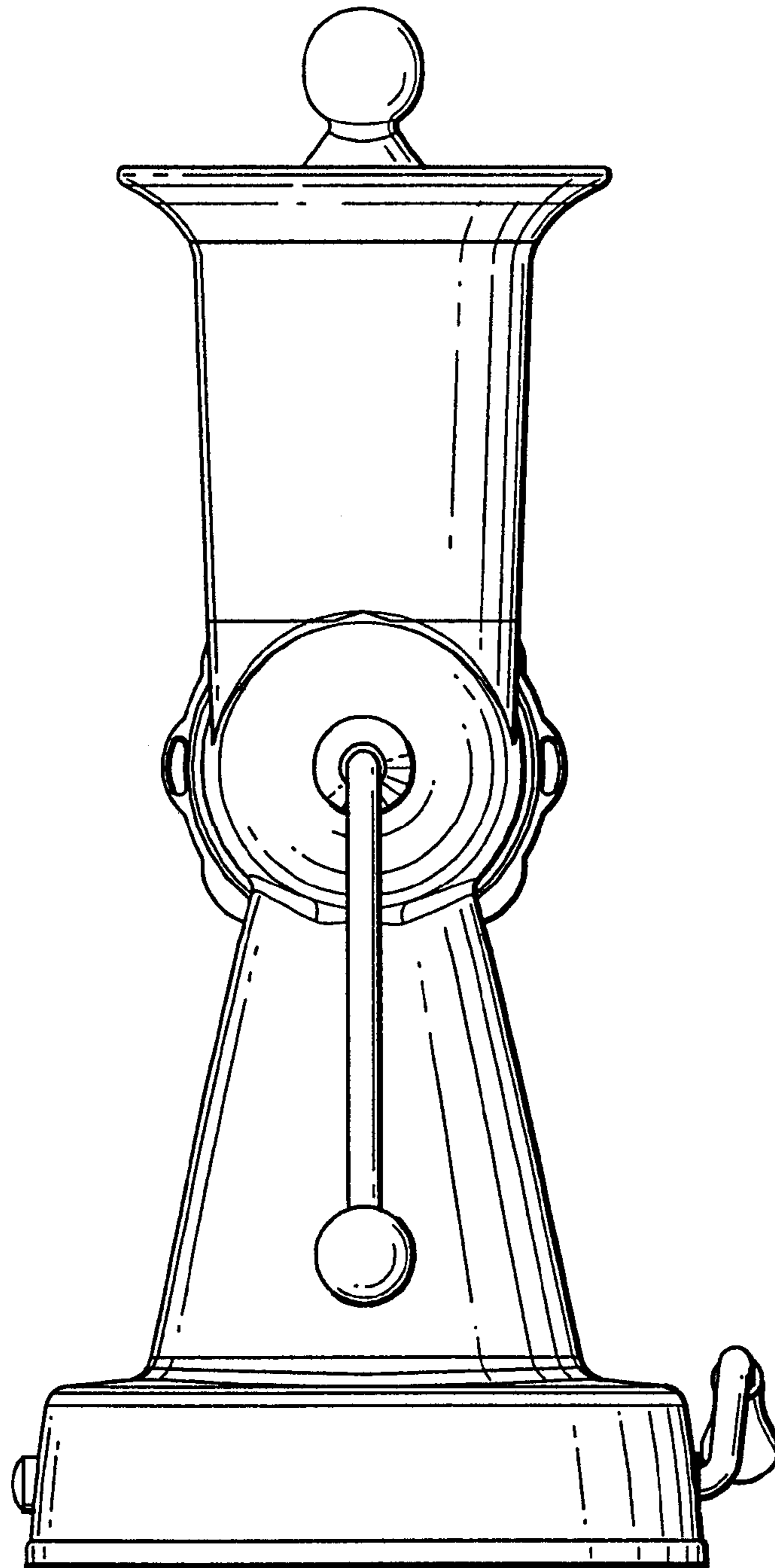


Fig. 4

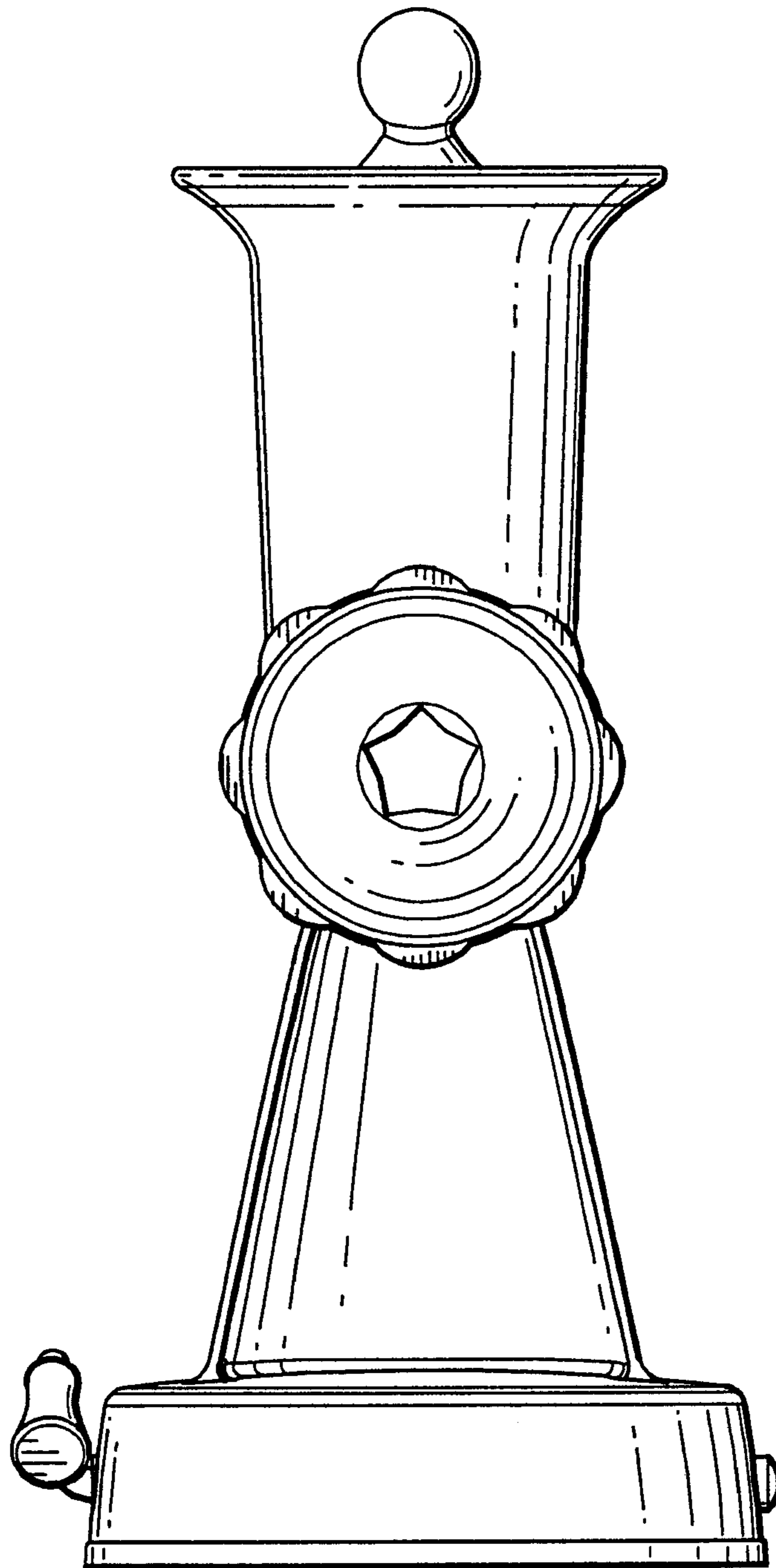


Fig. 5

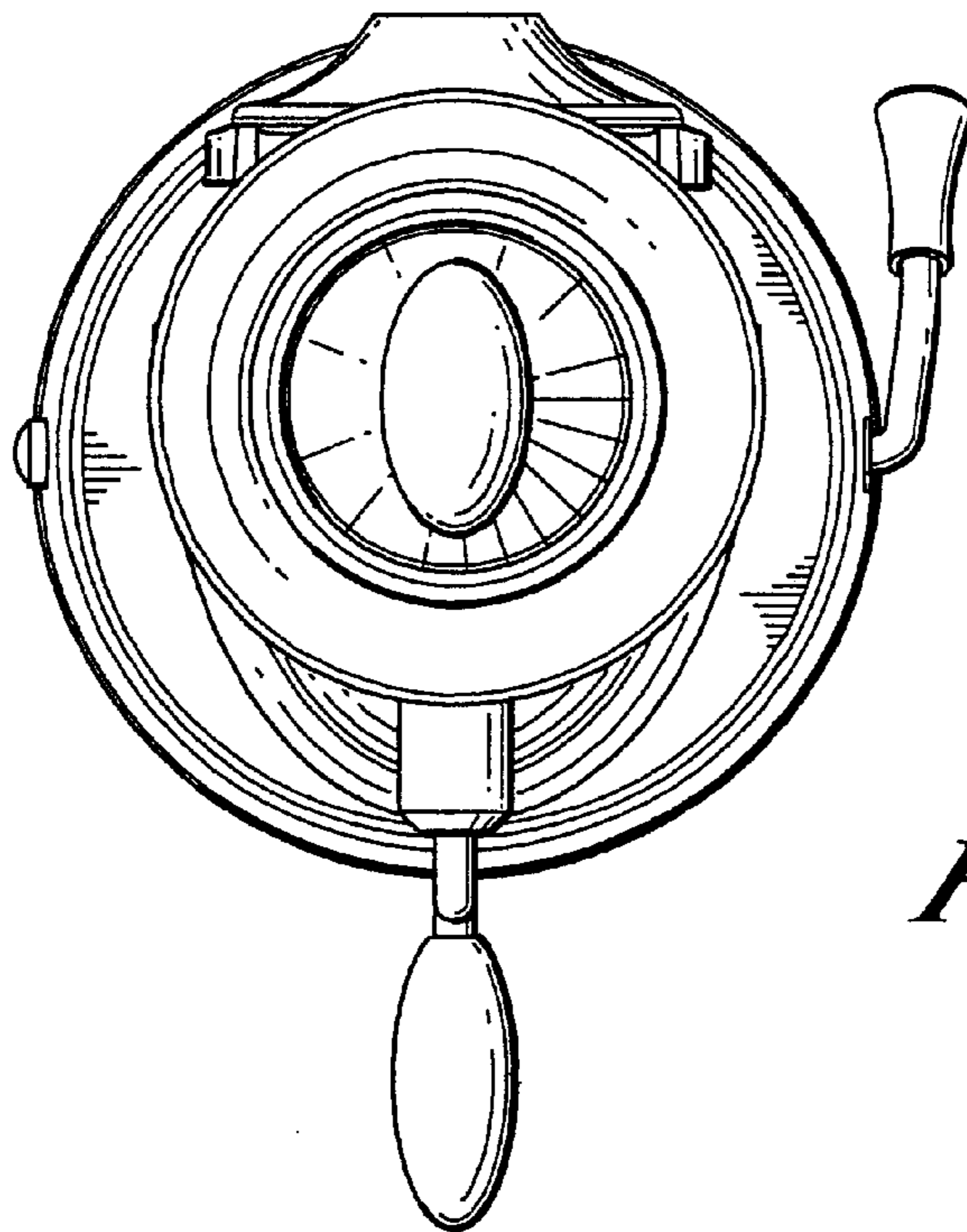


Fig. 6

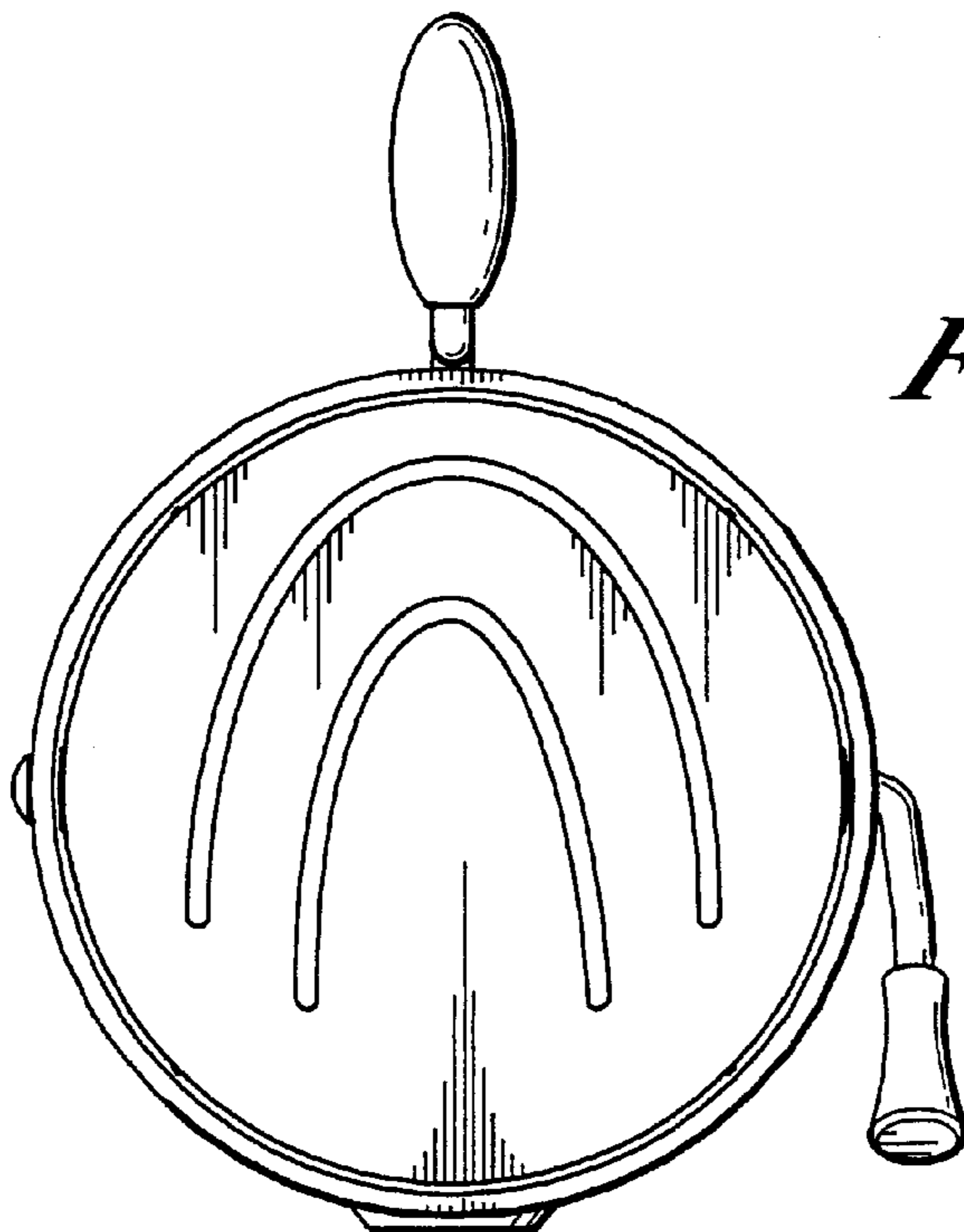


Fig. 7

UNITED STATES PATENT AND TRADEMARK OFFICE
CERTIFICATE OF CORRECTION

PATENT NO. : Des. 507,455 S
DATED : July 19, 2005
INVENTOR(S) : Eugenia M. Bertulis

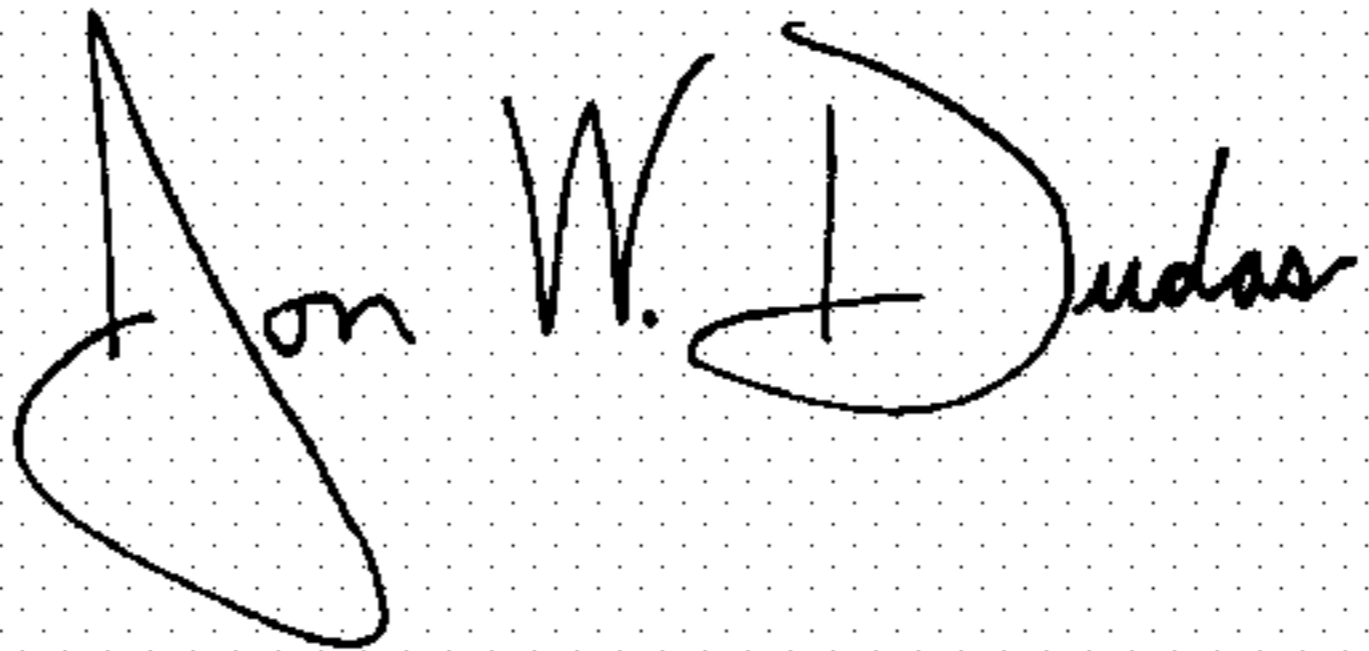
Page 1 of 3

It is certified that error appears in the above-identified patent and that said Letters Patent is hereby corrected as shown below:

Delete Drawing Sheets 2 and 3 of 6, substitute the attached sheets.

Signed and Sealed this

Seventeenth Day of January, 2006

A handwritten signature in black ink on a dotted background. The signature reads "Jon W. Dudas" in a cursive style.

JON W. DUDAS

Director of the United States Patent and Trademark Office

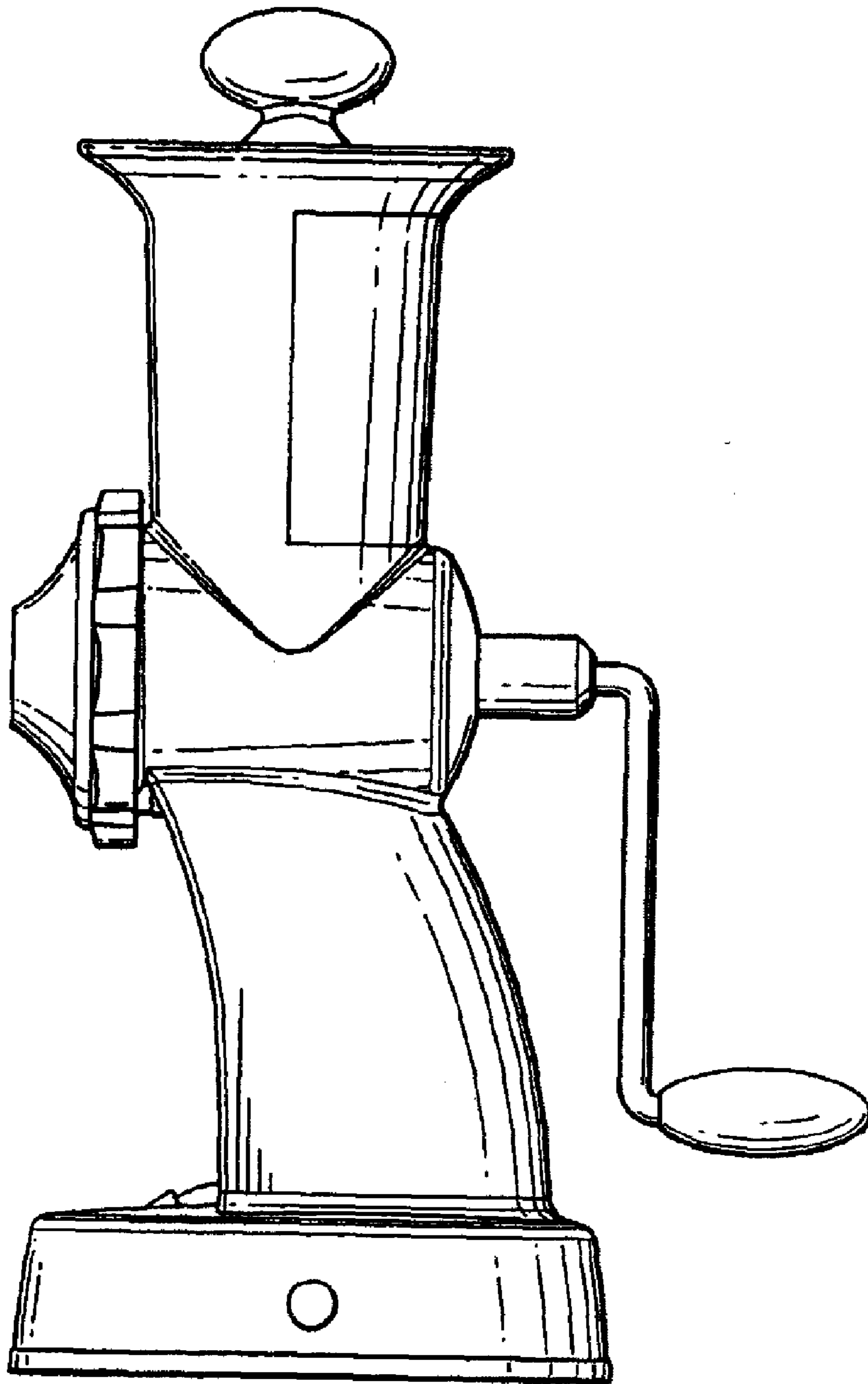


Fig. 2

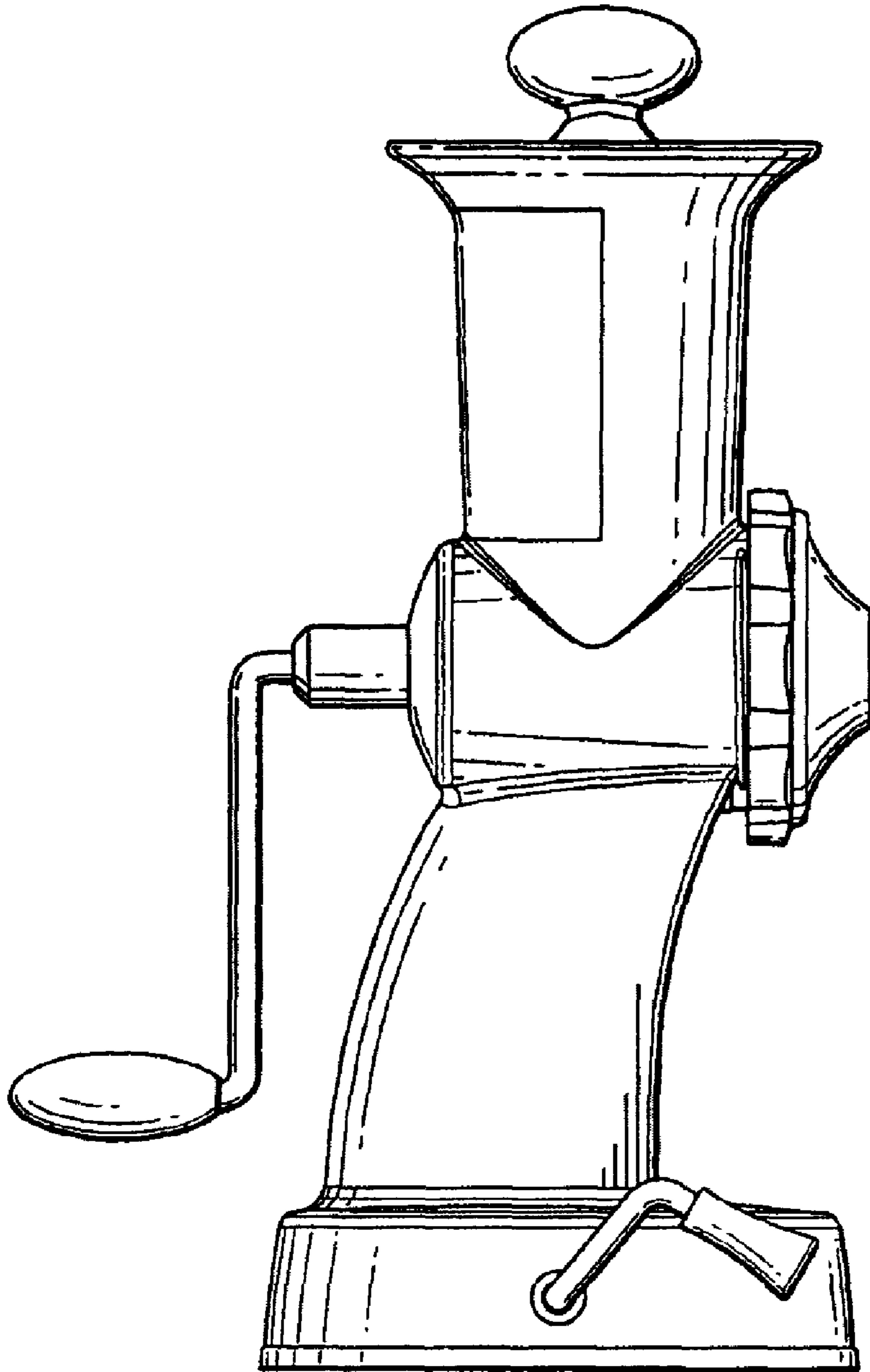


Fig. 3