

US00D507447S

(12) **United States Design Patent**
Moore et al.

(10) **Patent No.:** **US D507,447 S**
(45) **Date of Patent:** **** Jul. 19, 2005**

(54) **BITE VALVE**

(76) Inventors: **Joseph C. Moore**, 5909 Upvalley Run, Austin, TX (US) 78731; **Robert E. Lemmons**, 2001 Springhollow Path, Round Rock, TX (US) 78681; **Bruce A. Johnson**, 10221 Cama Valley Cove, Austin, TX (US) 78739

(**) **Term:** **14 Years**

(21) **Appl. No.:** **29/191,358**

(22) **Filed:** **Oct. 6, 2003**

(51) **LOC (8) Cl.** **07-99**

(52) **U.S. Cl.** **D7/300**

(58) **Field of Search** D7/300, 300.2, D7/510, 511; 62/457.2, 400, 533.13; 239/16, 24, 33; 222/80, 81, 145.5, 107, 175, 146.6, 529, 610; 251/9, 10, 207, 339-348; 224/148.1, 148.7, 425-427; D24/108, 129

(56) **References Cited**

U.S. PATENT DOCUMENTS

2,219,604	A	10/1940	Trotter	
2,623,663	A	12/1952	Gassaway	
3,165,241	A	1/1965	Curry	
3,310,623	A	* 3/1967	Vaughan	206/702
3,342,318	A	9/1967	Ruekberg et al.	
3,391,830	A	7/1968	Kitchens	
3,822,720	A	7/1974	Souza	
4,148,420	A	4/1979	Morrisette et al.	
5,060,833	A	10/1991	Edison et al.	
5,062,591	A	11/1991	Runkel	
5,085,349	A	2/1992	Fawcett	
5,104,016	A	4/1992	Runkel	
5,259,524	A	* 11/1993	Eckert	220/23.4
5,301,858	A	4/1994	Hollander	
5,419,087	A	* 5/1995	Haddy	451/344
5,601,207	A	2/1997	Paczonay	

5,727,714	A	3/1998	Fawcett	
5,730,336	A	3/1998	Lerner	
5,791,510	A	8/1998	Paczonay	
5,816,457	A	10/1998	Croft	
D410,457	S	* 6/1999	Eyler	D14/432
5,911,406	A	* 6/1999	Winefordner et al.	251/339
6,032,831	A	3/2000	Gardner et al.	
6,039,305	A	* 3/2000	Hoskins et al.	251/342
6,070,767	A	6/2000	Gardner et al.	
6,364,168	B1	4/2002	Gardner et al.	
6,557,721	B2	5/2003	Yang	
6,708,950	B2	* 3/2004	Christensen et al.	251/342
6,719,273	B1	* 4/2004	Yang	251/341
6,722,533	B2	* 4/2004	Skillern	222/175
6,749,090	B2	* 6/2004	Bailey	222/175
2002/0011583	A1	1/2002	Getzewich et al.	
2002/0038807	A1	4/2002	Gill	
2002/0092858	A1	7/2002	Bowman	
2002/0092877	A1	7/2002	Bowman	
2002/0115961	A1	8/2002	Writt	
2003/0168470	A1	9/2003	Choi et al.	

FOREIGN PATENT DOCUMENTS

WO DM/048579 * 7/1999

* cited by examiner

Primary Examiner—Terry A. Wallace
(74) *Attorney, Agent, or Firm*—Johnson & Associates

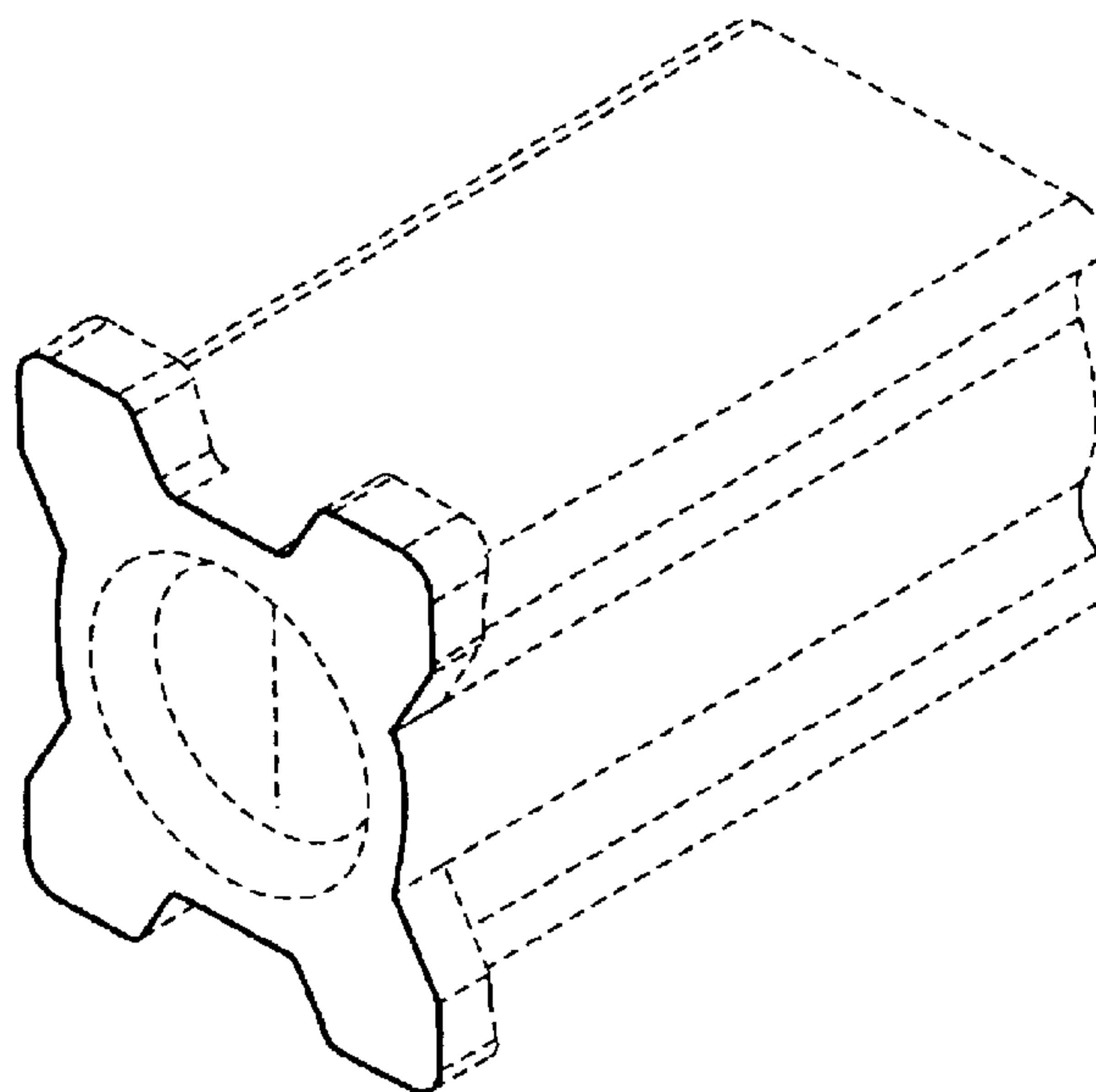
(57) **CLAIM**

The ornamental design of a bite valve, as shown and described.

DESCRIPTION

FIG. 1 is an isometric view of a bite valve showing our new design; and, FIG. 2 is a front view of the bite valve depicted in FIG. 1. The broken lines are for illustrative purposes only and form no part of the claimed design.

1 Claim, 1 Drawing Sheet



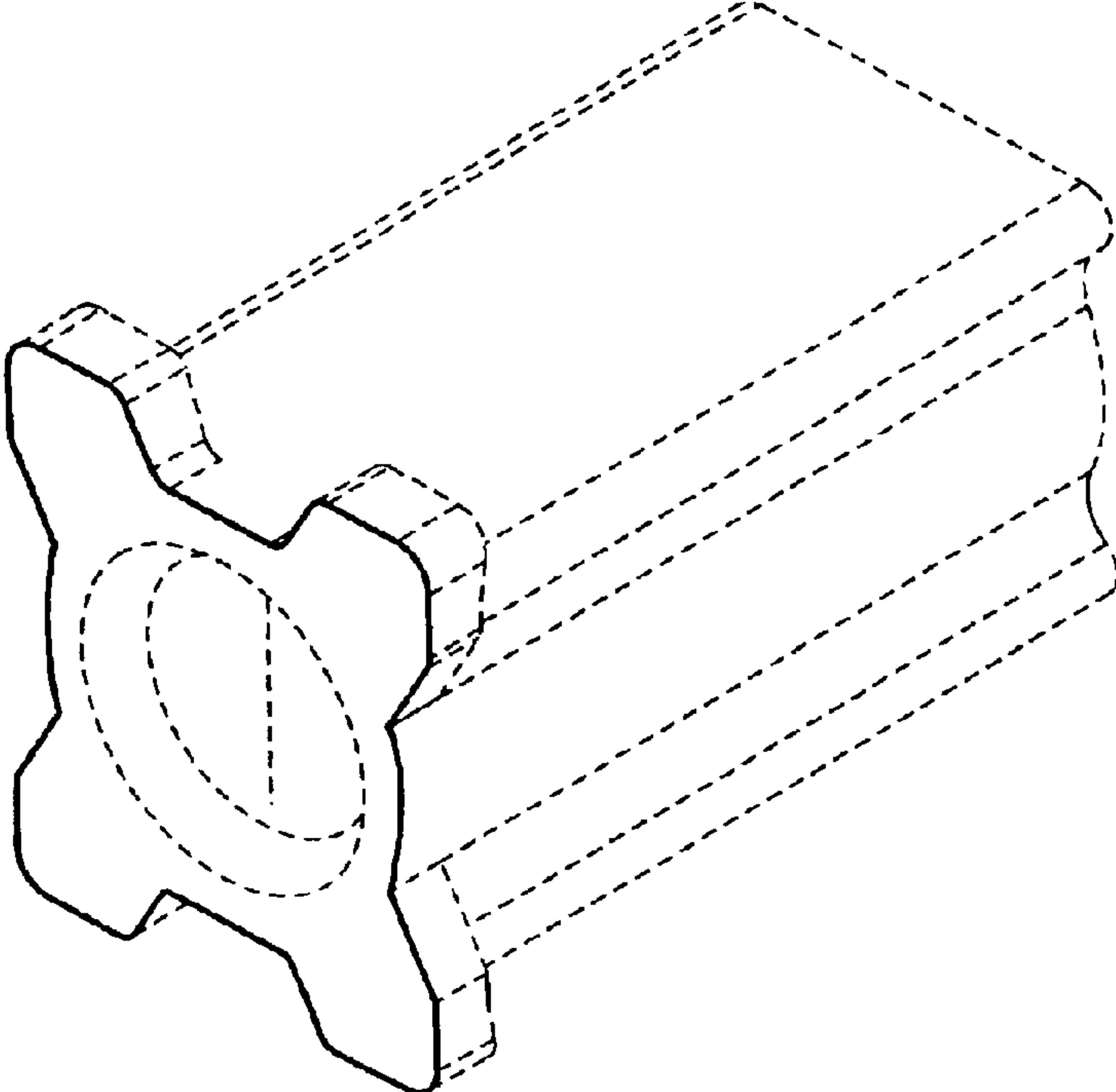


FIG. 1

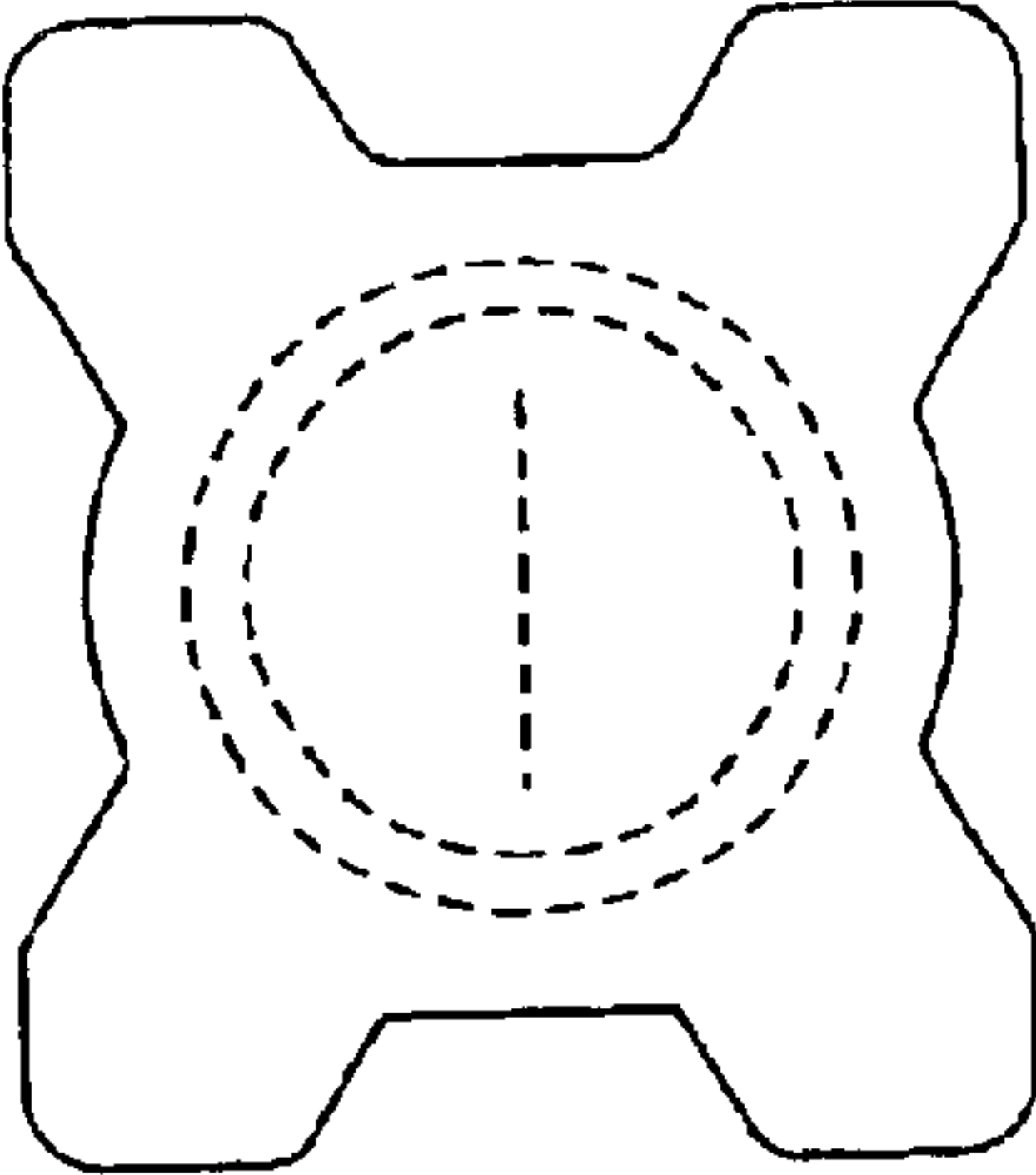


FIG. 2