

US00D507446S

(12) **United States Design Patent**
Yeh

(10) **Patent No.:** **US D507,446 S**
(45) **Date of Patent:** **** Jul. 19, 2005**

(54) **AIR BED**

D463,703 S * 10/2002 Song et al. D6/604
6,568,011 B2 * 5/2003 Fisher et al. 5/706
6,763,540 B1 * 7/2004 Wang 5/710

(75) **Inventor:** **Kwang-Wei Yeh, Taipei (TW)**

(73) **Assignee:** **Krystal Star International Corporation, Taipei (TW)**

(**) **Term:** **14 Years**

(21) **Appl. No.:** **29/206,946**

(22) **Filed:** **Jun. 8, 2004**

(51) **LOC (8) Cl.** **06-09**

(52) **U.S. Cl.** **D6/604; D6/605**

(58) **Field of Search** D6/595, 596, 604,
D6/605, 601; D21/803, 809; 5/706-713,
690, 691, 731, 733, 737, 740, 630, 632,
633, 652, 654, 657, 655.3, 655.9, 655.5,
907

OTHER PUBLICATIONS

Cabela's Master Catalog, Spring, 2003, p. 257, "Airman" Air Bed. [retrieved Feb. 3, 2005]. Retrieved from internet using Goog Advanced Catalog search, <URL:www.cabelas.com>.*

* cited by examiner

Primary Examiner—Lucy Lieberman

(74) *Attorney, Agent, or Firm*—Dennison, Schultz, Dougherty & MacDonald

(57) **CLAIM**

The ornamental design for an air bed, as shown and described.

DESCRIPTION

FIG. 1 is a perspective view of the air bed showing the new design;

FIG. 2 is a front view of the new design;

FIG. 3 is a rear view of the new design;

FIG. 4 is a left view of the new design;

FIG. 5 is a right view of the new design;

FIG. 6 is a top view of the new design; and,

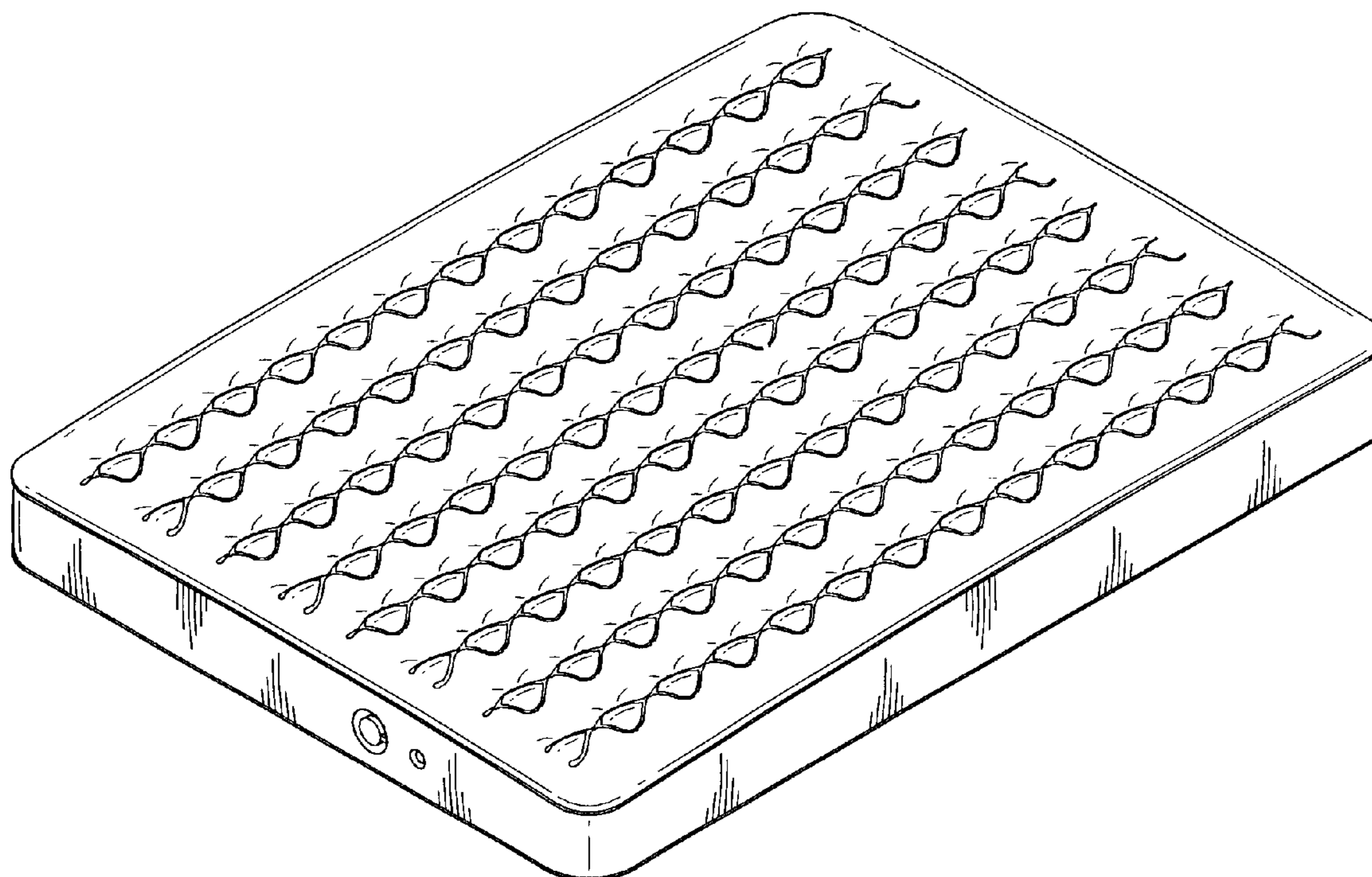
FIG. 7 is a bottom view of the new design.

1 Claim, 5 Drawing Sheets

(56) **References Cited**

U.S. PATENT DOCUMENTS

4,172,301 A * 10/1979 Everard et al. 5/712
D304,652 S * 11/1989 Viesturs D6/604
D315,189 S * 3/1991 Thomas D21/809
5,711,041 A * 1/1998 Chen 5/708
D391,435 S * 3/1998 Song et al. D6/604
D414,365 S * 9/1999 Hsu et al. D6/596
D414,644 S * 10/1999 Hsu et al. D6/596
5,960,495 A * 10/1999 Hsu et al. 5/706
D455,928 S * 4/2002 Fisher et al. D6/604



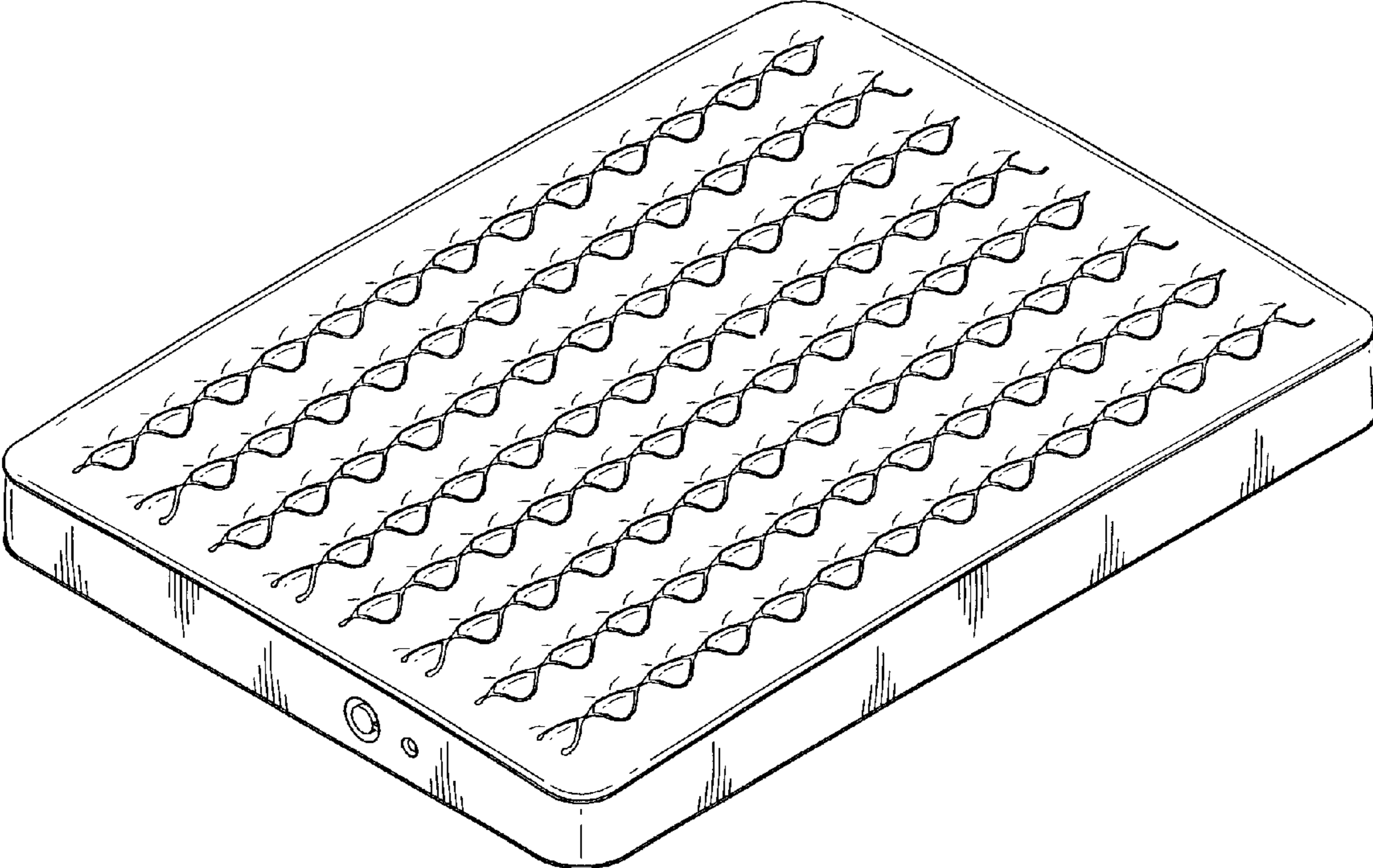


Fig. 1

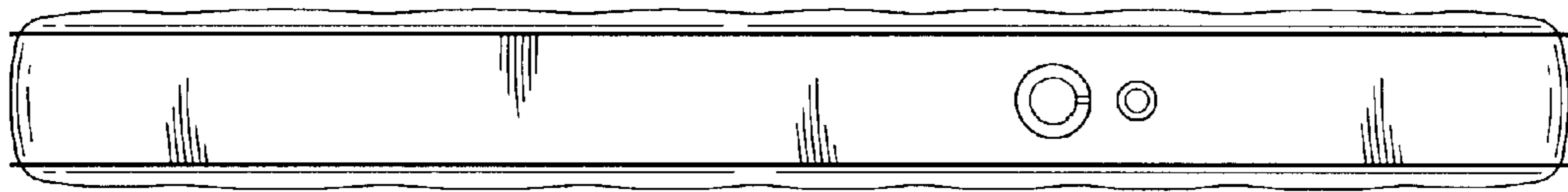


Fig. 2

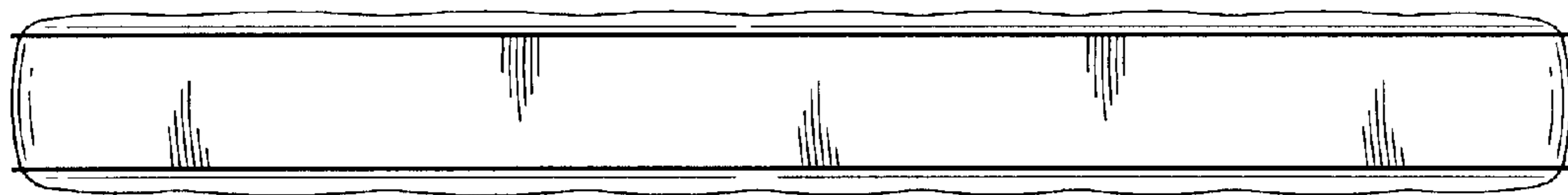


Fig. 3

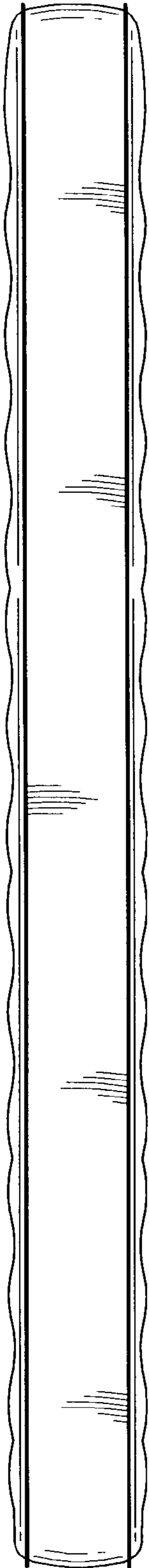


Fig. 4

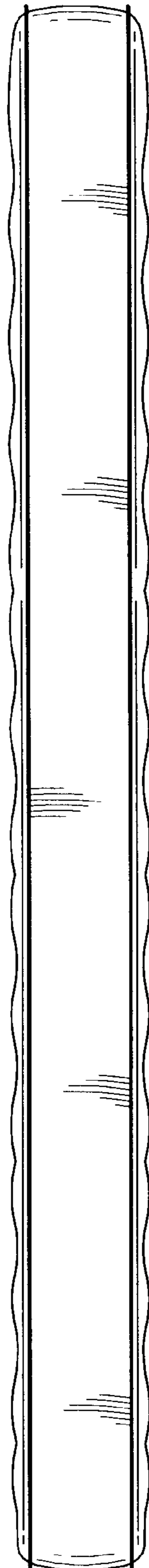


Fig. 5

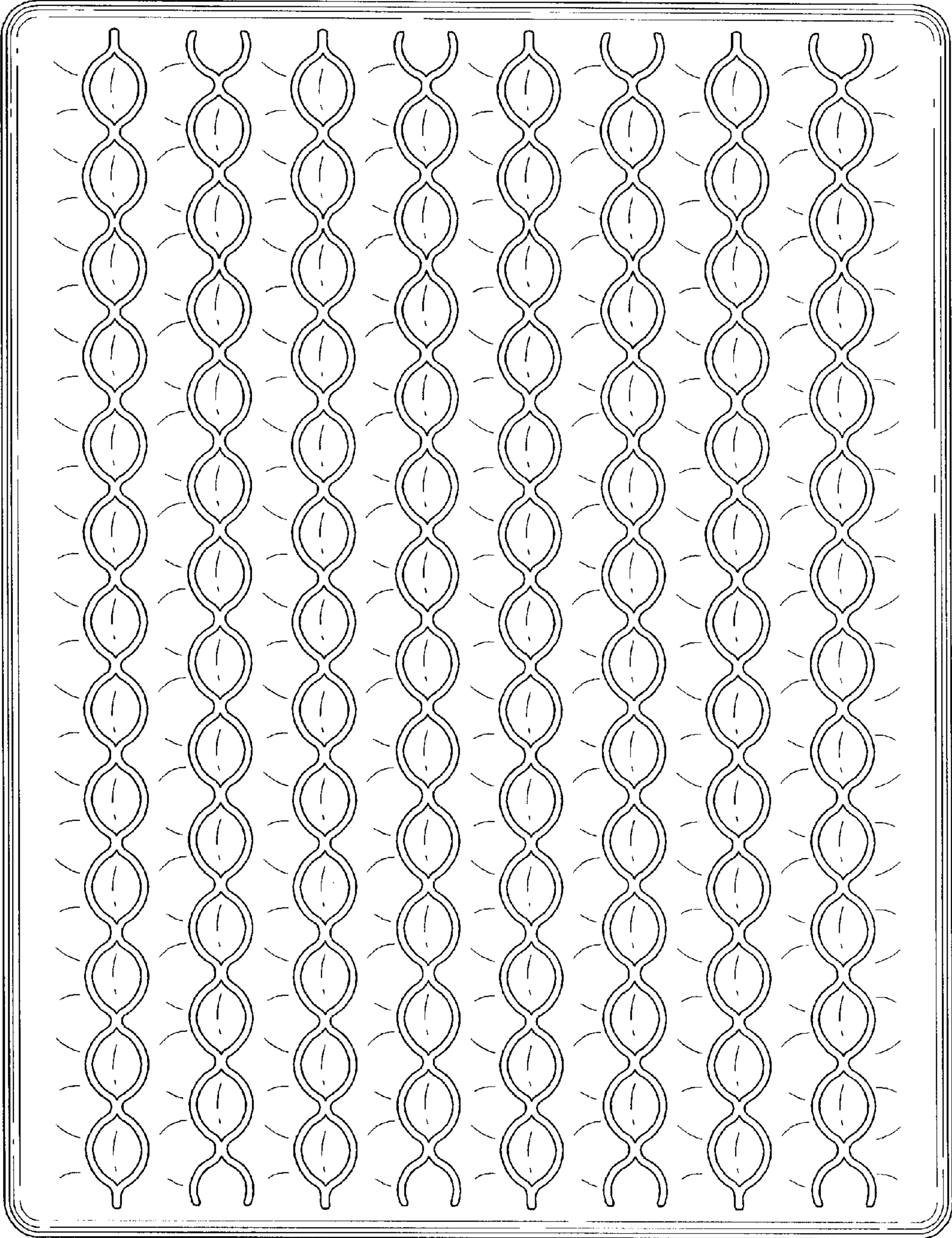


Fig. 6

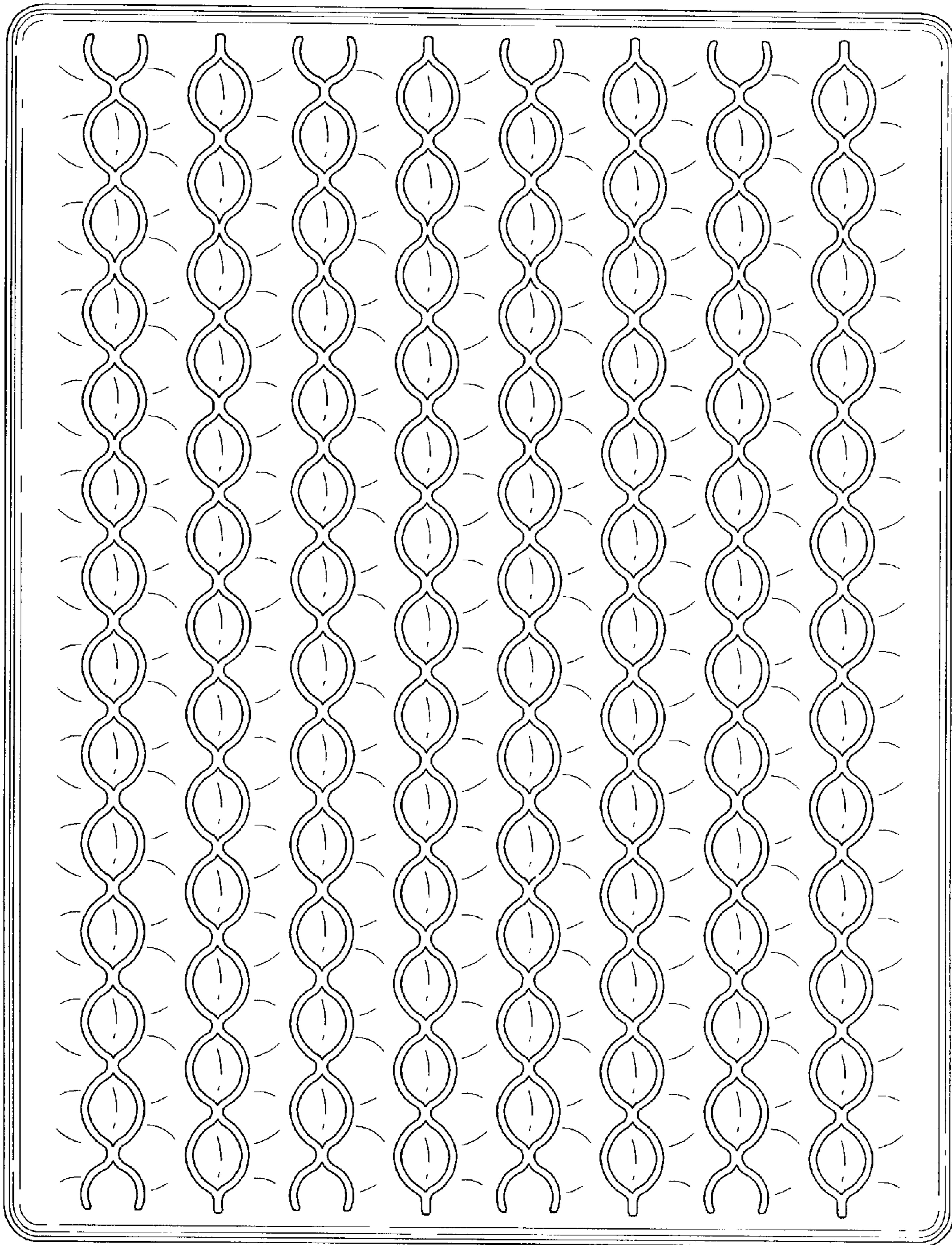


Fig. 7