

US00D507445S

(12) **United States Design Patent**  
**Song et al.**

(10) **Patent No.:** **US D507,445 S**  
(45) **Date of Patent:** **\*\* Jul. 19, 2005**

(54) **INFLATABLE MATTRESS**

(76) Inventors: **Rong-Jyh Song**, 8F-1, No. 102, Sec. 2,  
Roosevelt Rd., Taipei (TW);  
**Tsung-Ping Yen**, 8F-1, No. 102, Sec. 2,  
Roosevelt Rd., Taipei (TW)

(\*\*) Term: **14 Years**

(21) Appl. No.: **29/203,028**

(22) Filed: **Apr. 8, 2004**

(51) **LOC (8) Cl.** ..... **06-09**

(52) **U.S. Cl.** ..... **D6/604; D6/596; D6/605**

(58) **Field of Search** ..... D6/595, 596, 604,  
D6/605, 601, 361; D21/803, 809; 5/706-713,  
690, 691, 731, 733, 737, 740, 630, 632,  
633, 652, 654, 657, 655.3, 655.5, 907,  
655.9

(56) **References Cited**

**U.S. PATENT DOCUMENTS**

D108,622 S	*	3/1938	Johnson	.....	D6/604
D150,176 S	*	7/1948	Vincent	.....	D6/361
3,780,388 A	*	12/1973	Thomas et al.	.....	5/711
4,930,174 A	*	6/1990	Hunter	.....	5/708
D335,999 S	*	6/1993	Van Driessche	.....	D6/604
D350,586 S	*	9/1994	Francis	.....	D21/809
D398,181 S	*	9/1998	Lange et al.	.....	D6/596

D407,937 S	*	4/1999	Klimenko	.....	D6/596
D412,794 S	*	8/1999	Massey	.....	D6/384
D455,928 S	*	4/2002	Fisher et al.	.....	D6/604
6,553,591 B1	*	4/2003	Motosko	.....	5/655.5
6,568,011 B2	*	5/2003	Fisher et al.	.....	5/706
6,684,425 B2	*	2/2004	Davis	.....	5/615
6,754,926 B2	*	6/2004	Wang	.....	5/710

\* cited by examiner

*Primary Examiner*—Lucy Lieberman

(74) *Attorney, Agent, or Firm*—Hoffmann & Baron, LLP

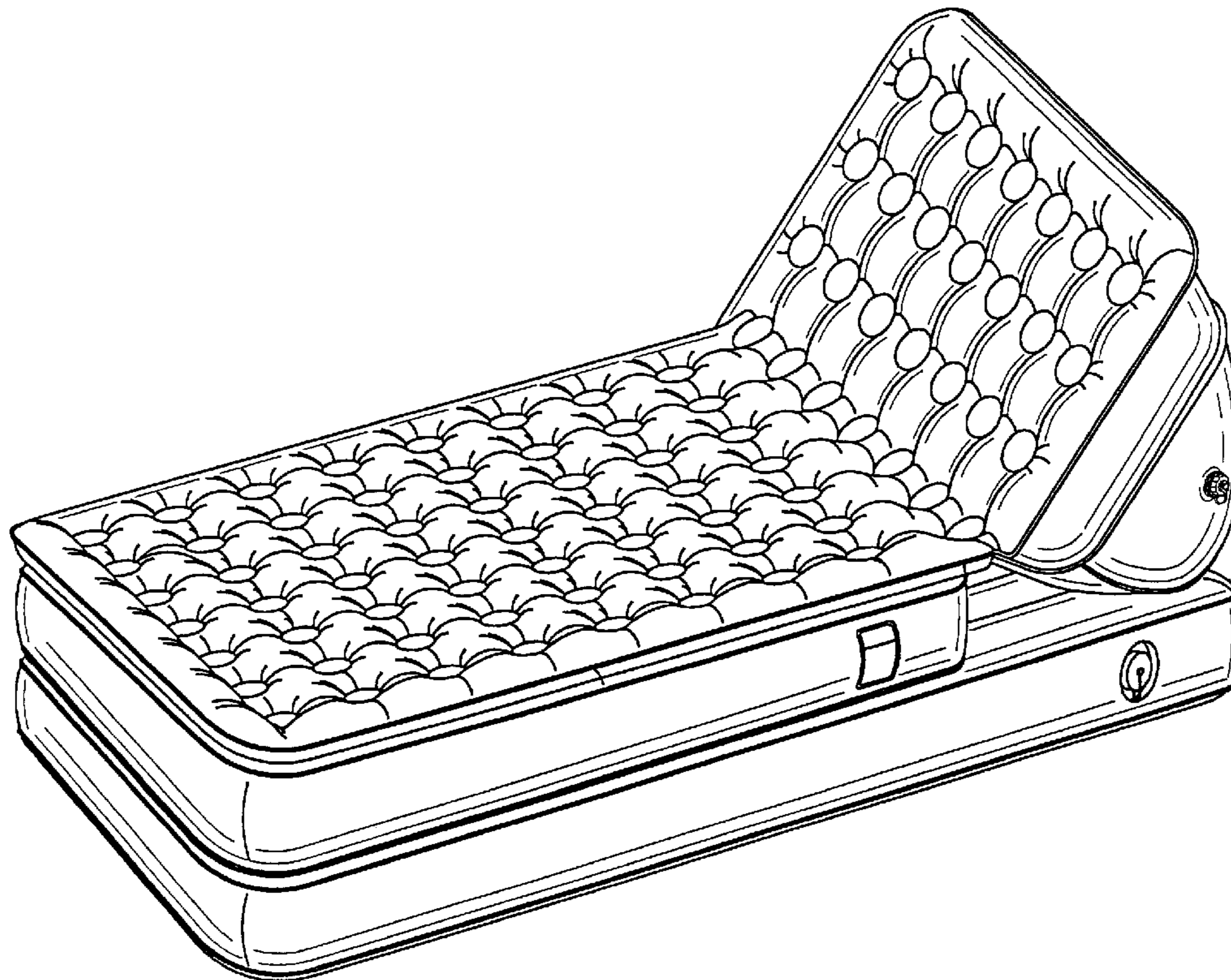
(57) **CLAIM**

The ornamental design for an inflatable mattress, as shown and described.

**DESCRIPTION**

FIG. 1 is a perspective view of an inflatable mattress showing our new design;  
FIG. 2 is a front elevational view thereof;  
FIG. 3 is a rear elevational view thereof;  
FIG. 4 is a left side elevational view thereof;  
FIG. 5 is a right side elevational view thereof;  
FIG. 6 is a top plan view thereof;  
FIG. 7 is a bottom plan view thereof; and,  
FIG. 8 is a front elevation of the inflatable mattress shown in an alternate configuration.

**1 Claim, 4 Drawing Sheets**



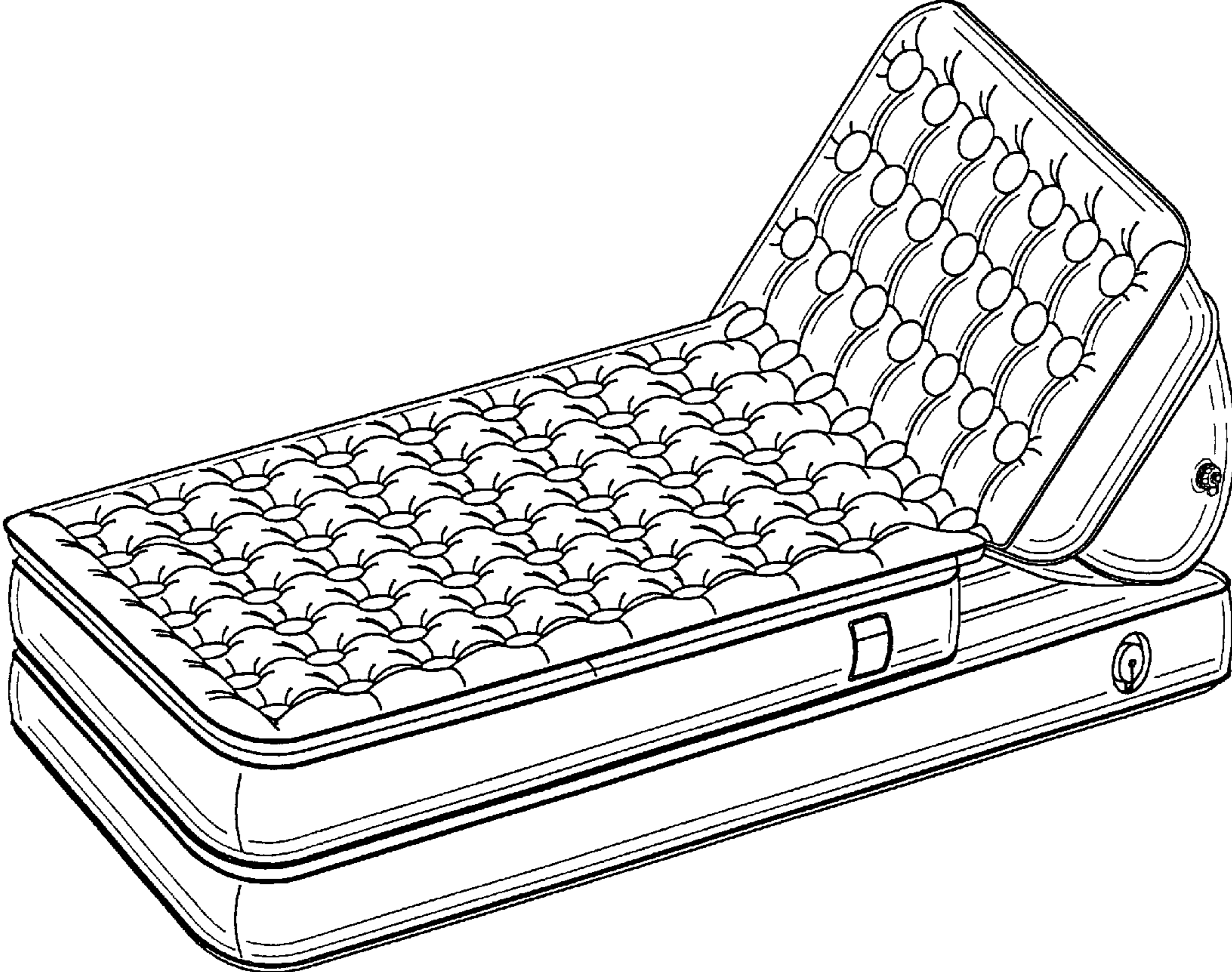


FIG. 1

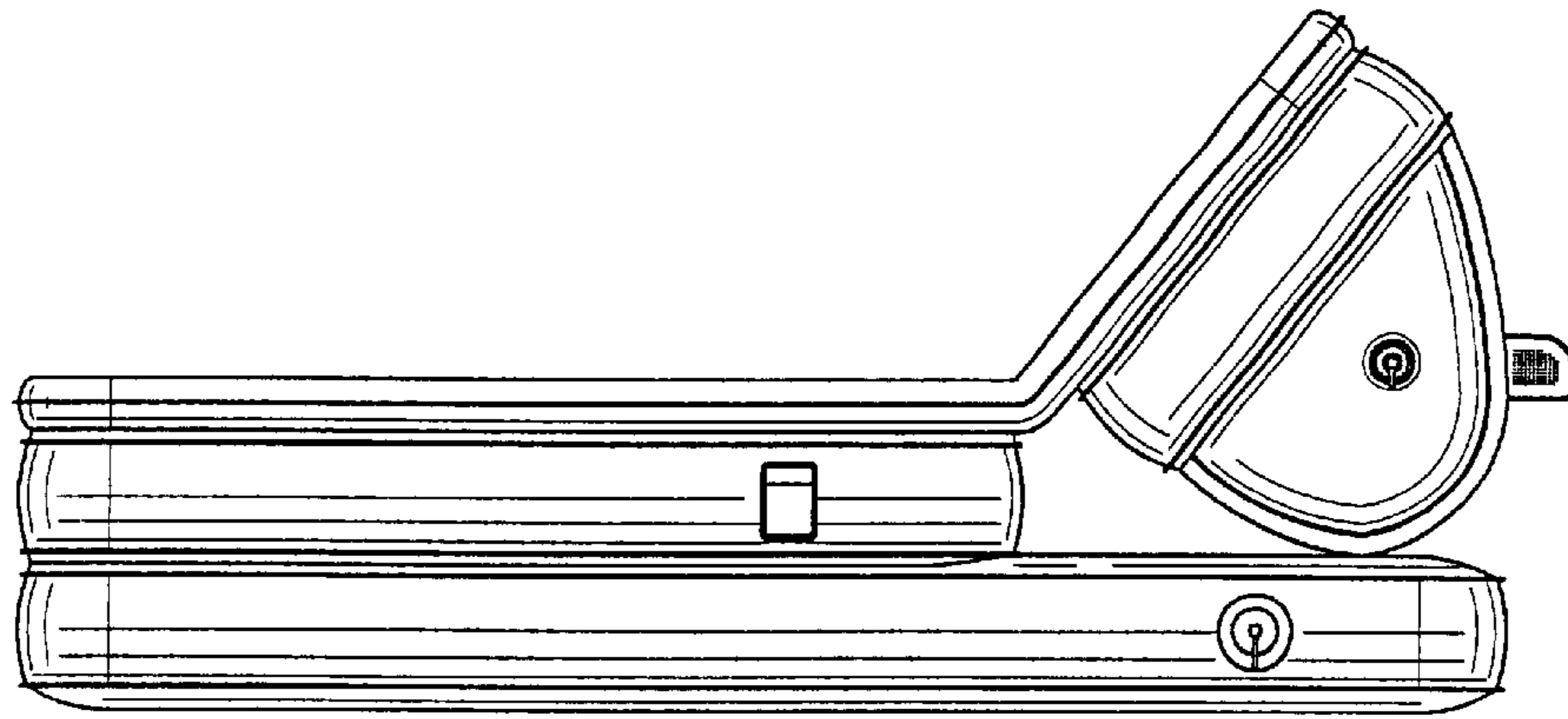


FIG. 2

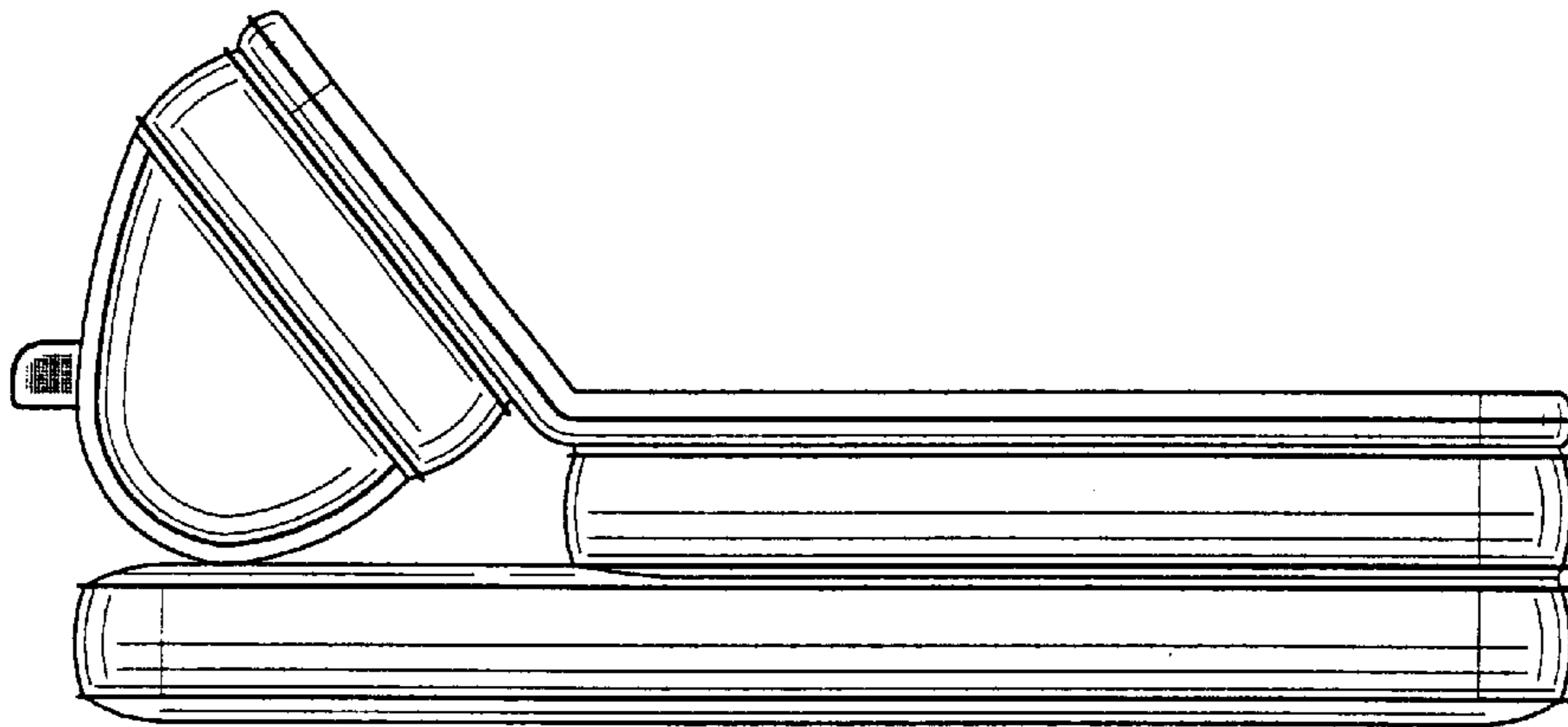


FIG. 3

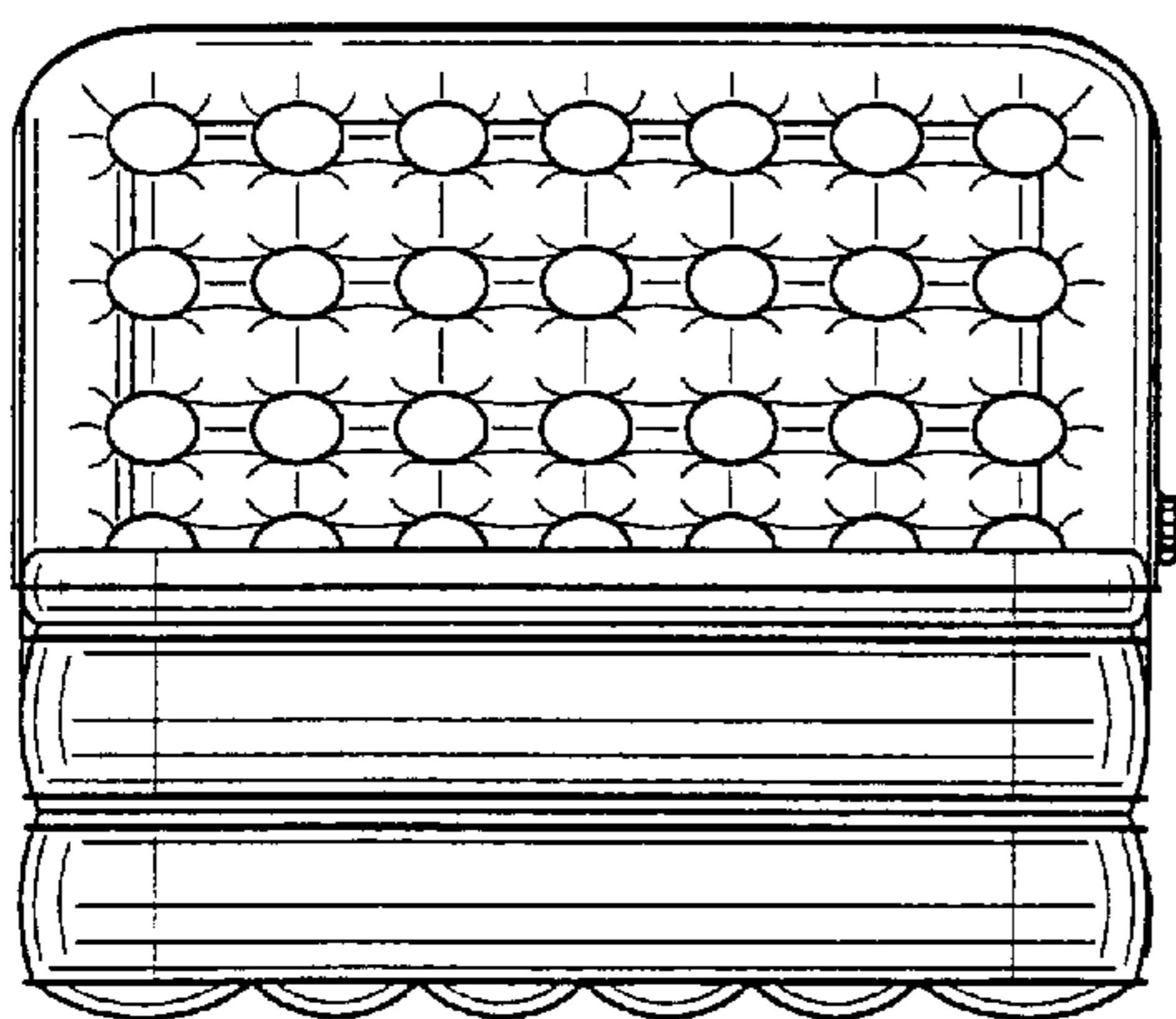


FIG. 4

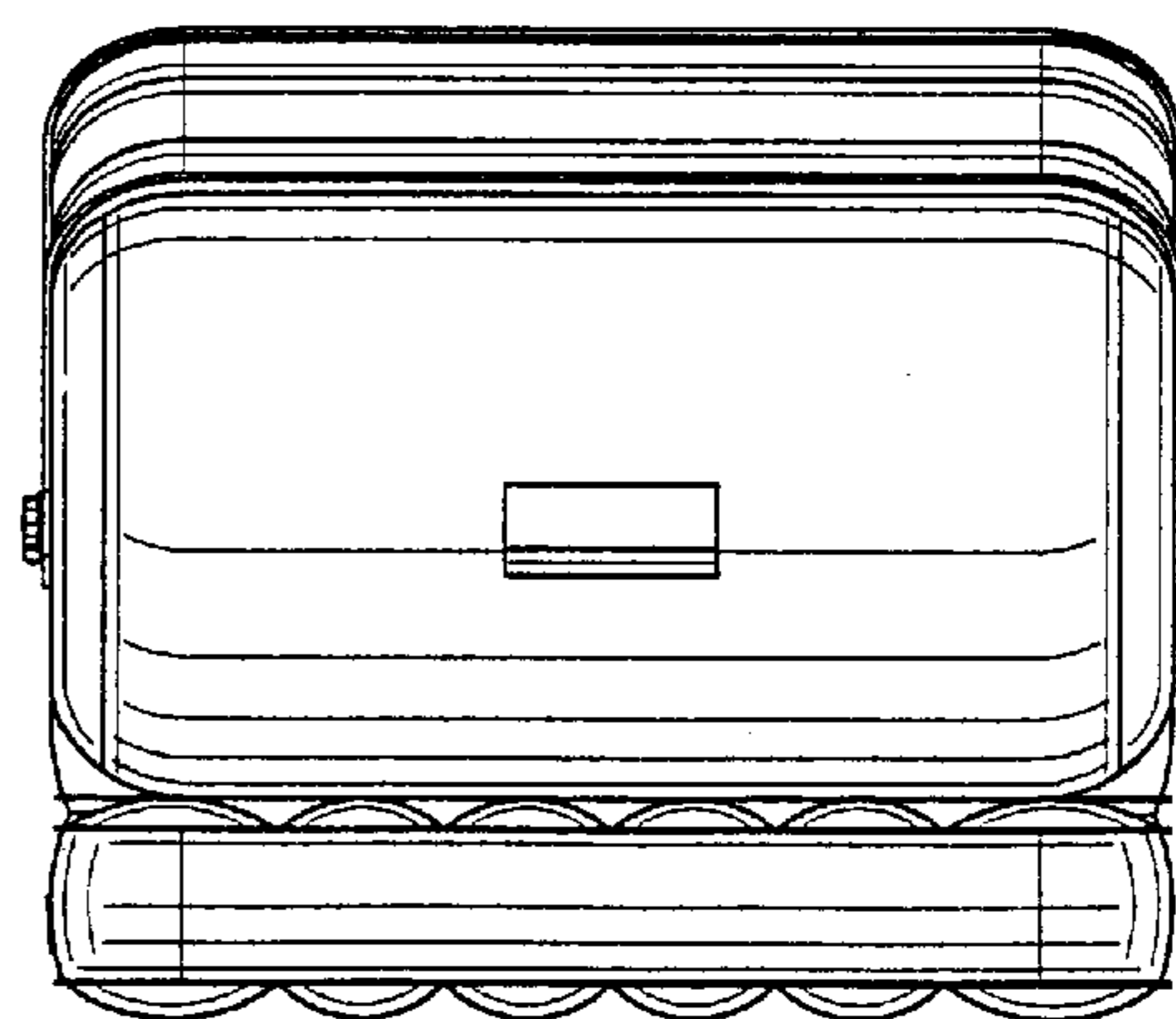


FIG. 5

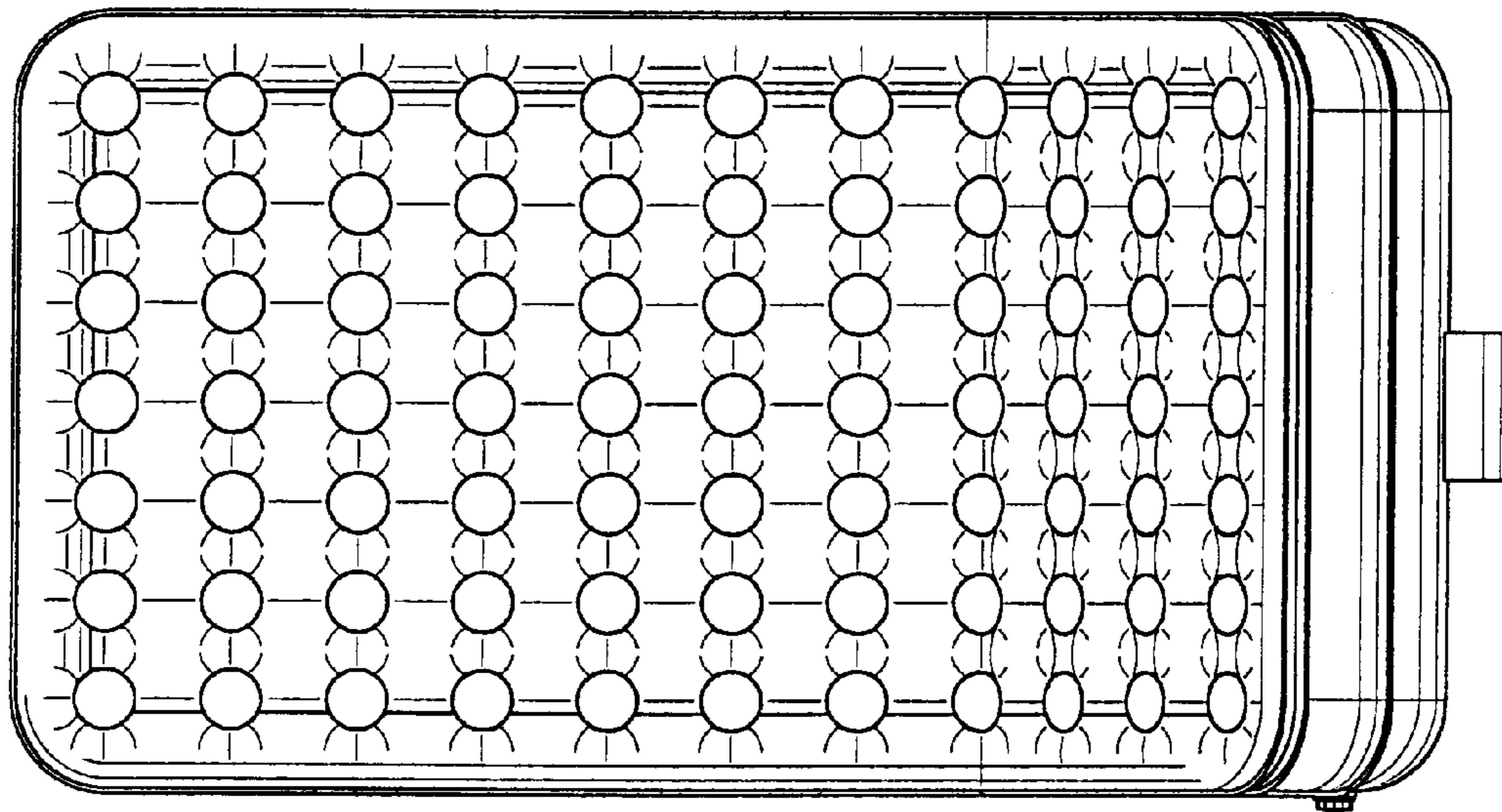


FIG. 6

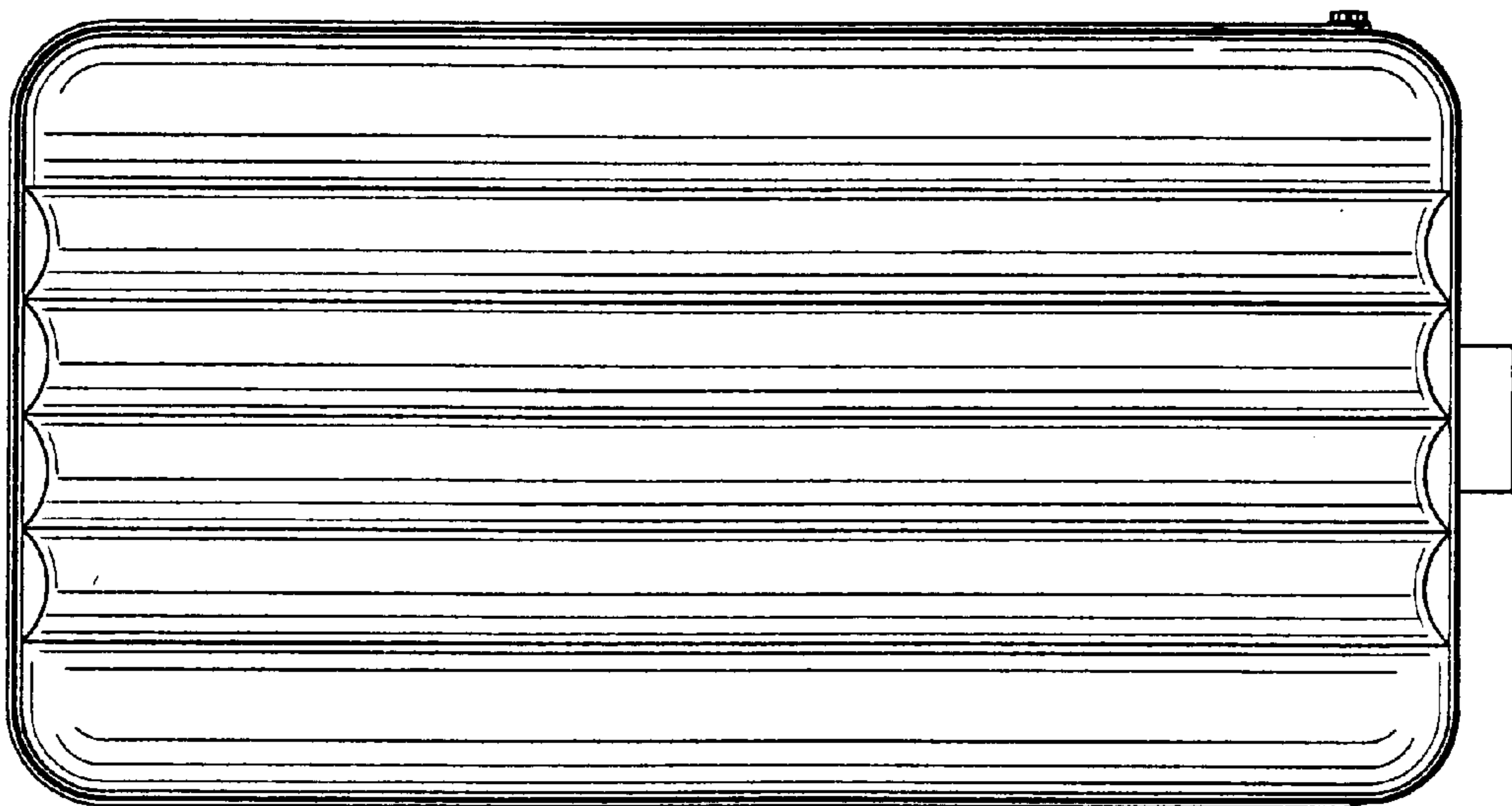


FIG. 7

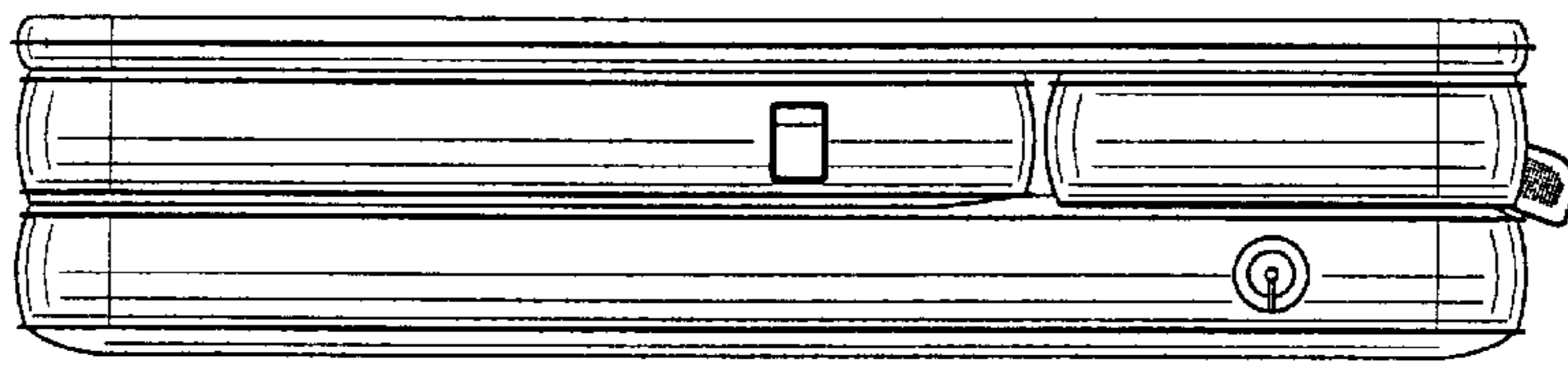


FIG. 8