

US00D507438S

(12) **United States Design Patent**
Grove

(10) **Patent No.:** **US D507,438 S**

(45) **Date of Patent:** **** Jul. 19, 2005**

(54) **DUAL, ONE-PIECE, CHAIR ARMS**

(76) **Inventor:** **James E. Grove**, 4316 Marina City Dr.,
#423CTN, Marina del Rey, CA (US)
90292

(**) **Term:** **14 Years**

(21) **Appl. No.:** **29/212,475**

(22) **Filed:** **Sep. 1, 2004**

(51) **LOC (8) Cl.** **06-06**

(52) **U.S. Cl.** **D6/501; D6/366**

(58) **Field of Search** D6/334, 364, 365,
D6/366, 367, 372, 373, 379, 491, 500-502;
297/411.2, 411.27, 411.28

(56) **References Cited**

U.S. PATENT DOCUMENTS

D259,000 S	*	4/1981	Vogtherr	D6/366
D301,662 S	*	6/1989	Vonhausen	D6/366
D330,809 S	*	11/1992	Citterio	D6/366
D331,154 S	*	11/1992	Sheridan	D6/366
D411,396 S	*	6/1999	Stumpf	D6/501

D444,307 S	*	7/2001	Minami	D6/360
D471,744 S	*	3/2003	Lind	D6/501
D489,191 S	*	5/2004	Ma	D6/366

* cited by examiner

Primary Examiner—Mimosa De

(74) *Attorney, Agent, or Firm*—Jack C. Munro

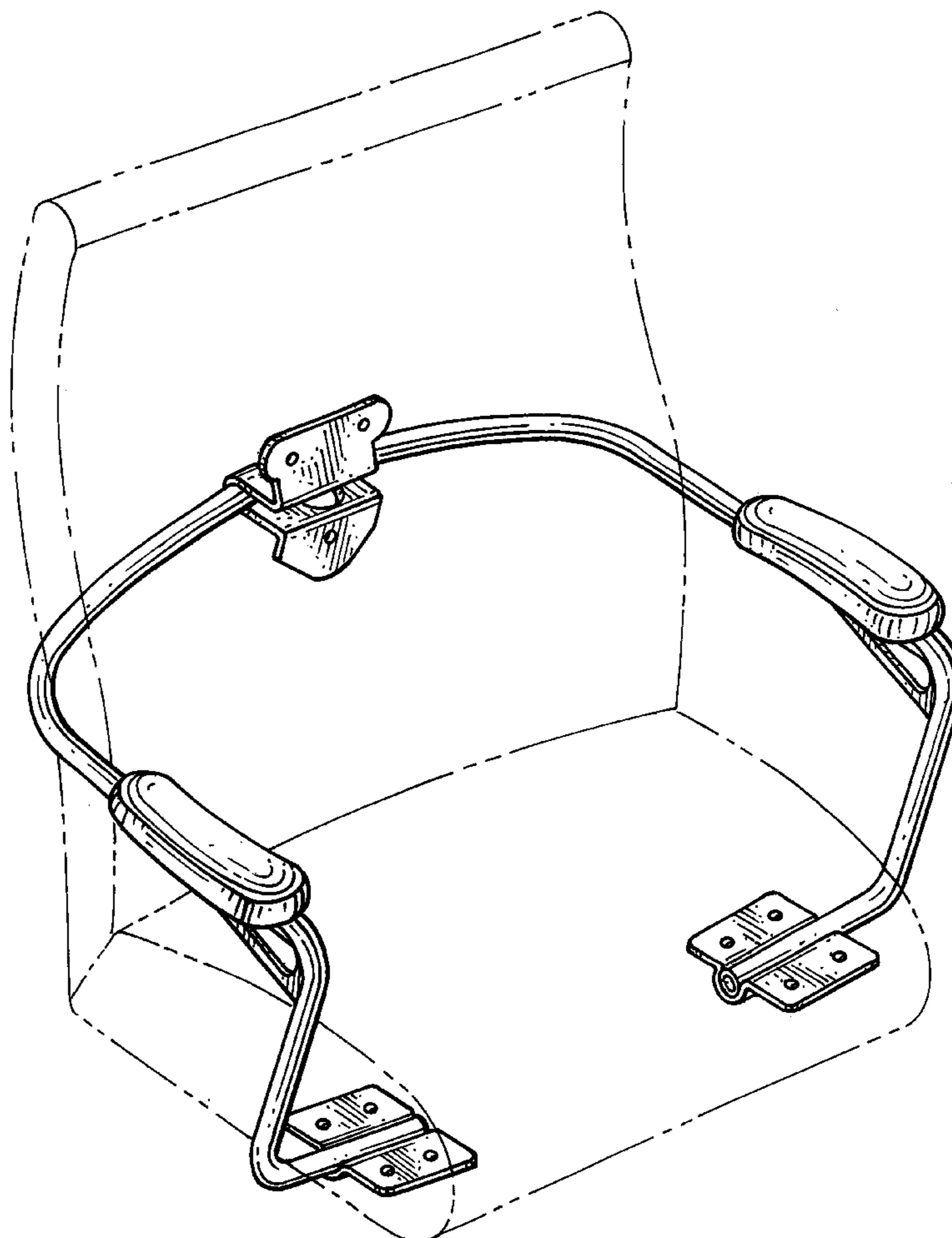
(57) **CLAIM**

The ornamental design for dual, one-piece, chair arms, as shown.

DESCRIPTION

FIG. 1 is a frontal isometric elevational view of the dual, one-piece, chair arms showing my new design in conjunction with a chair shown in phantom; FIG. 2 is a front elevational view thereof; FIG. 3 is a right side elevational view thereof with the left side being identical but reversed; FIG. 4 is a rear elevational view thereof; FIG. 5 is a top plan view thereof; and, FIG. 6 is a bottom plan view thereof.

1 Claim, 3 Drawing Sheets



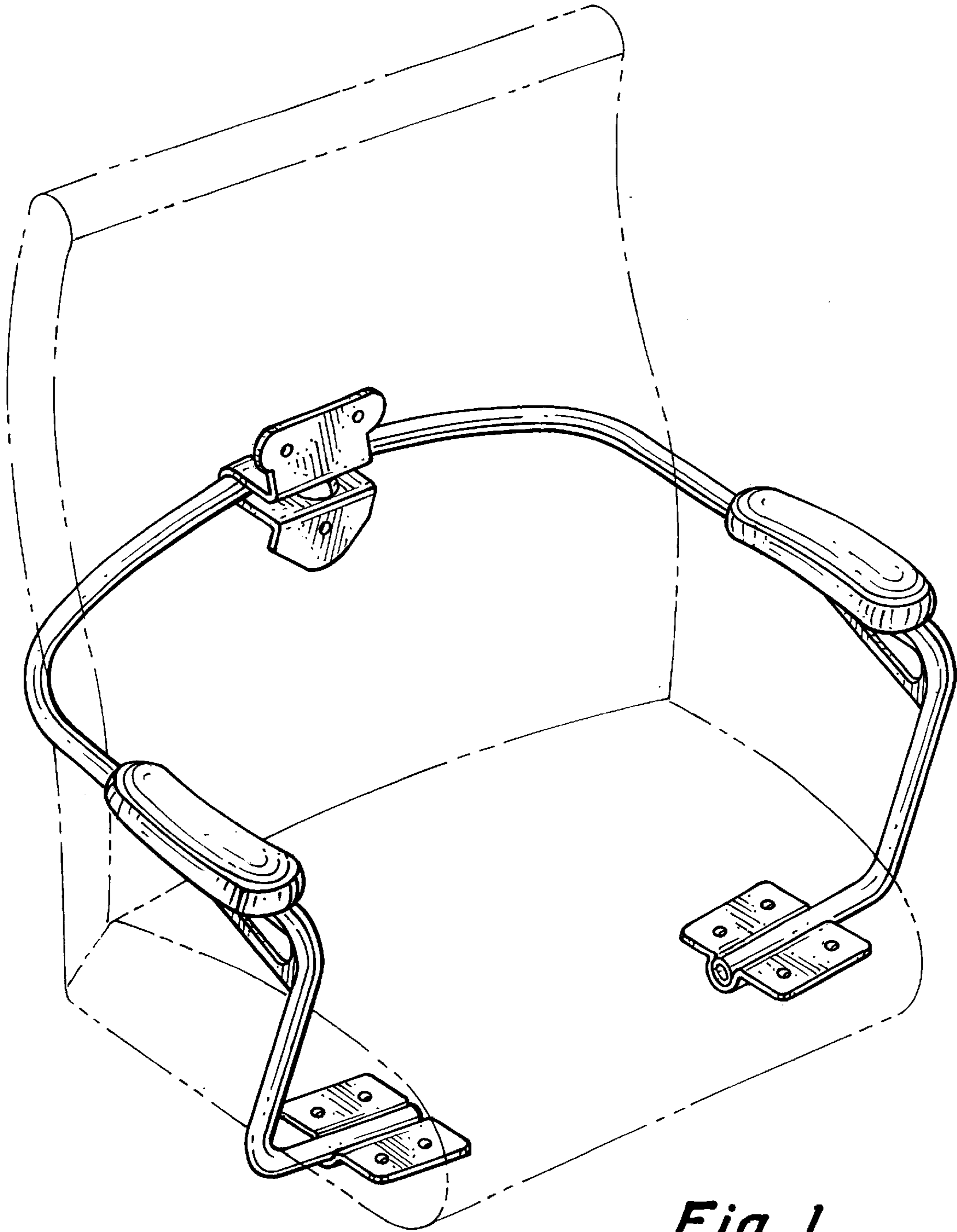


Fig. 1.

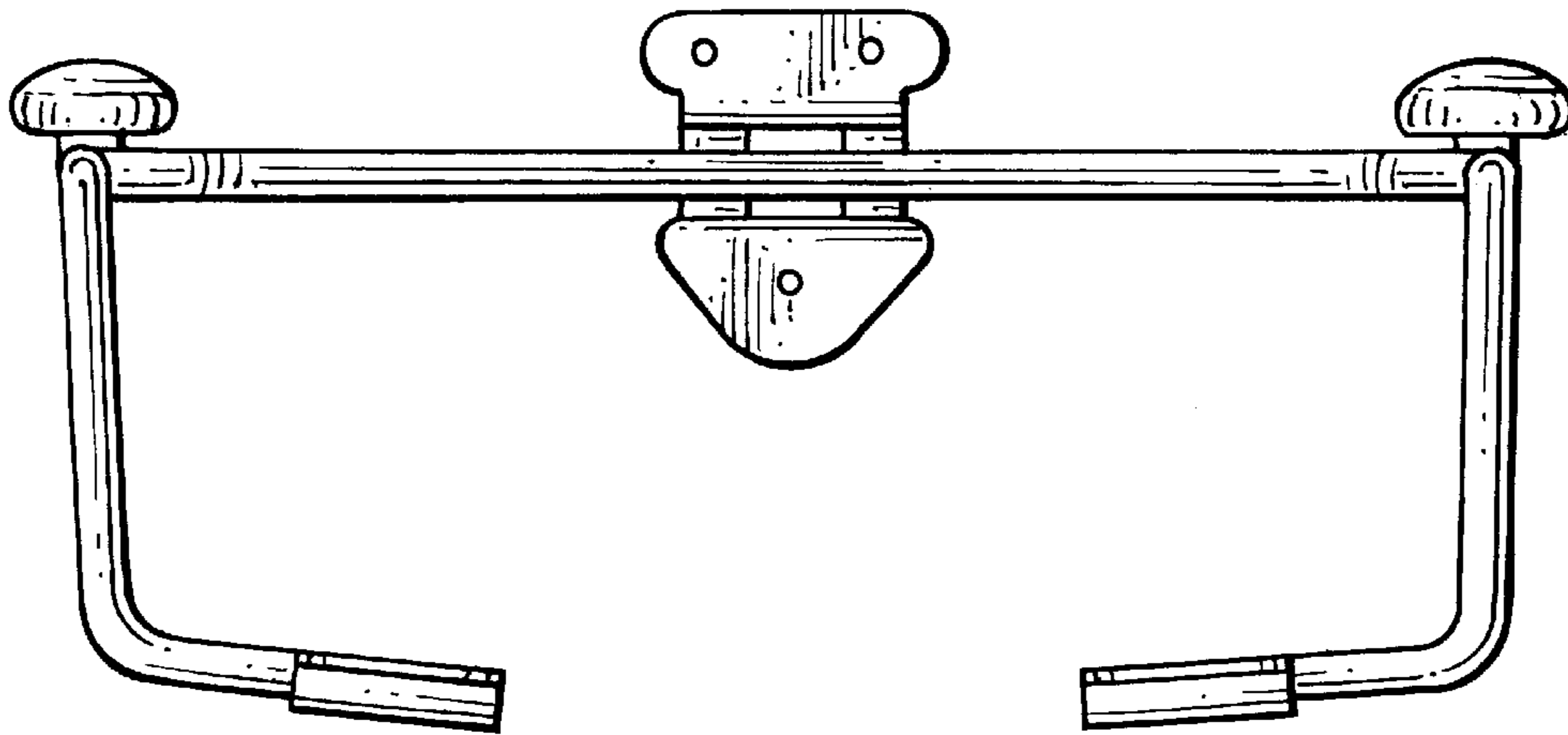


Fig. 2.

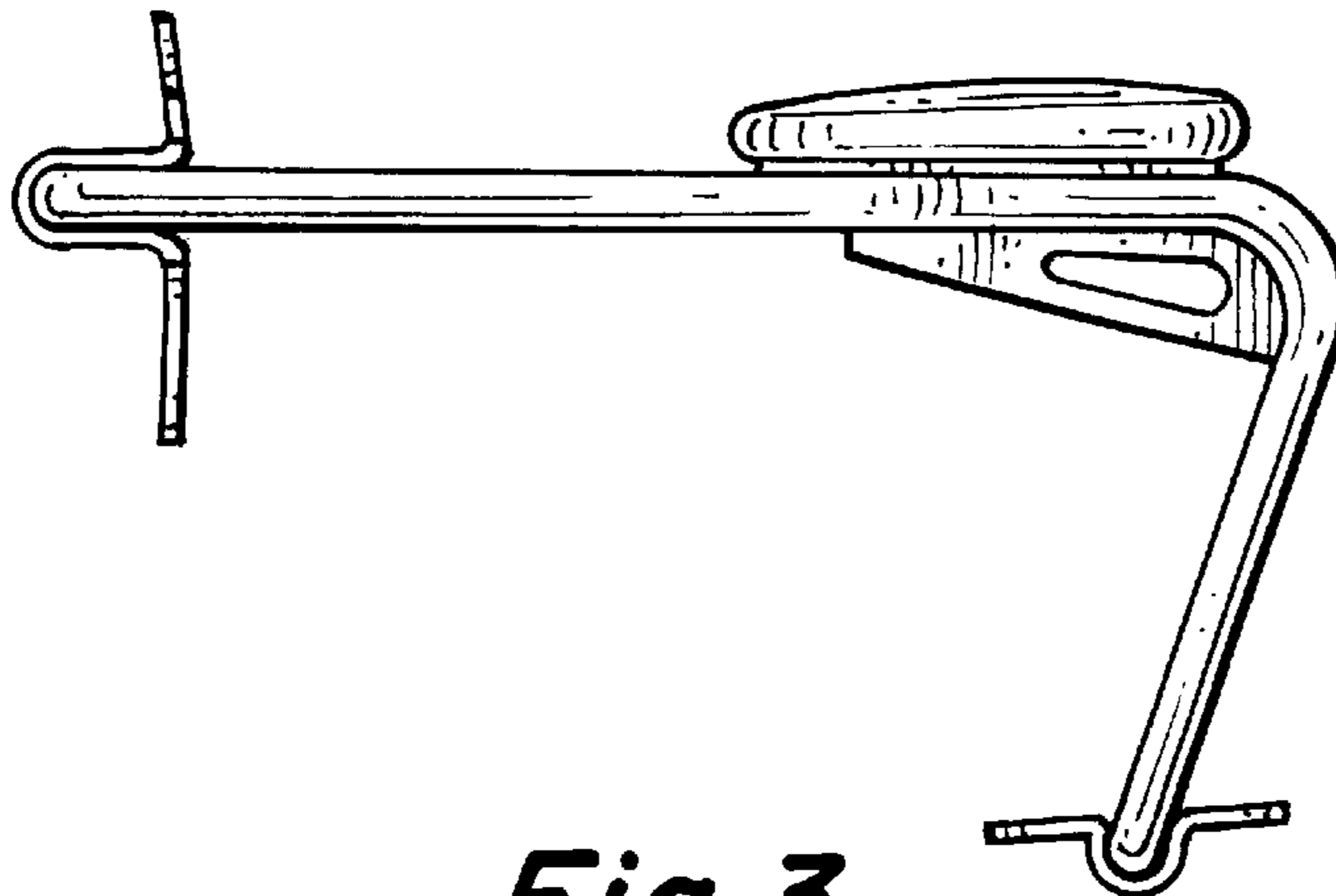


Fig. 3.

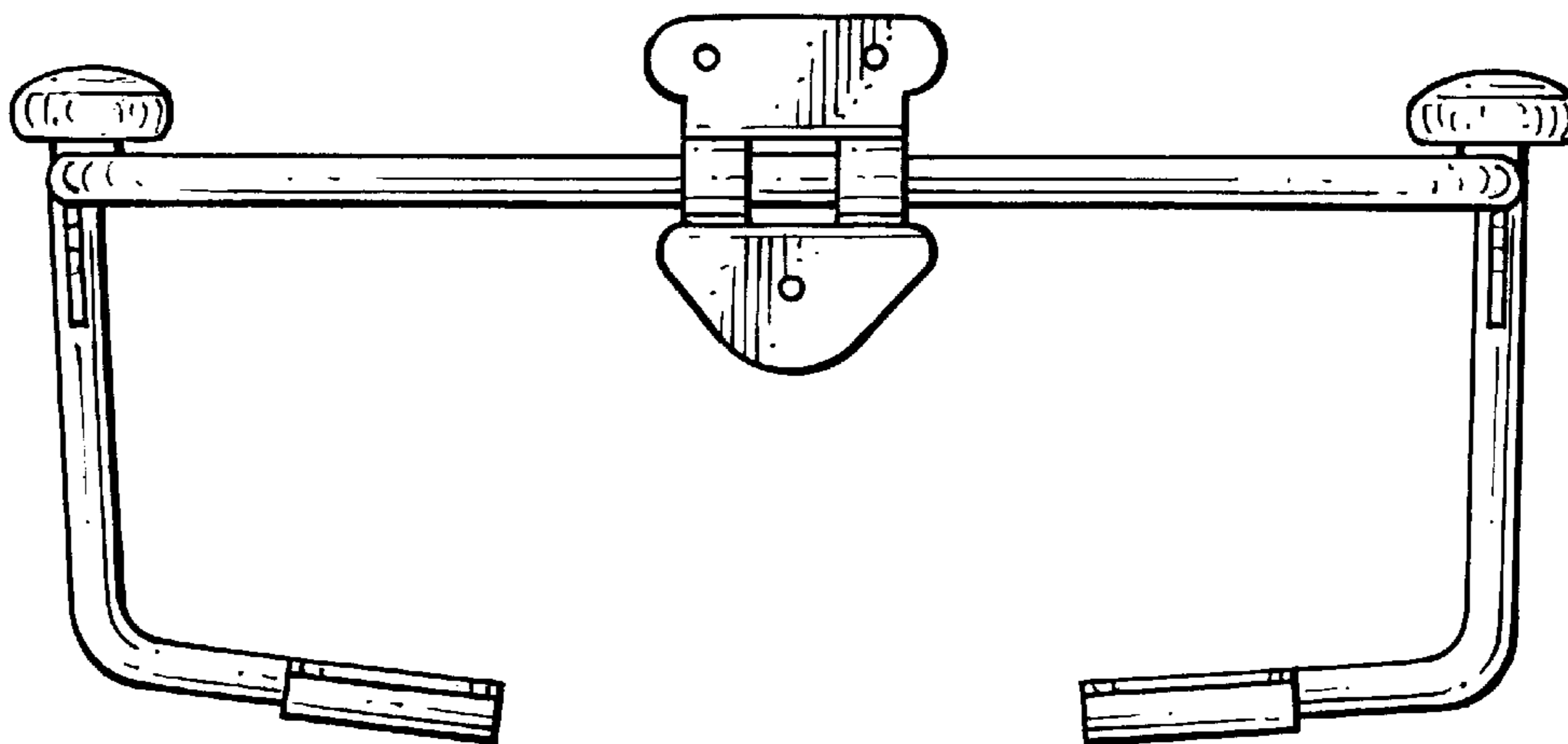


Fig. 4.

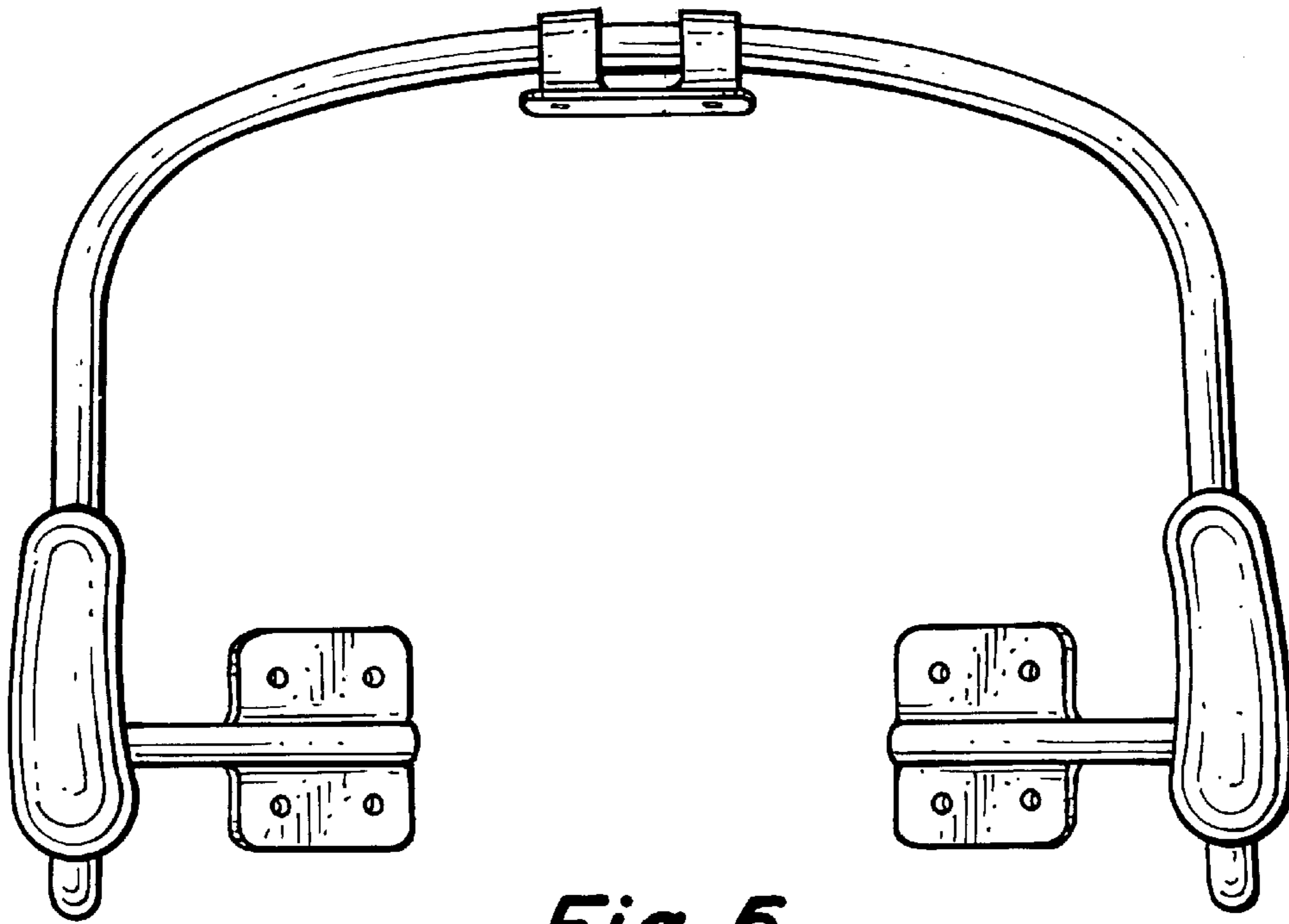


Fig. 5.

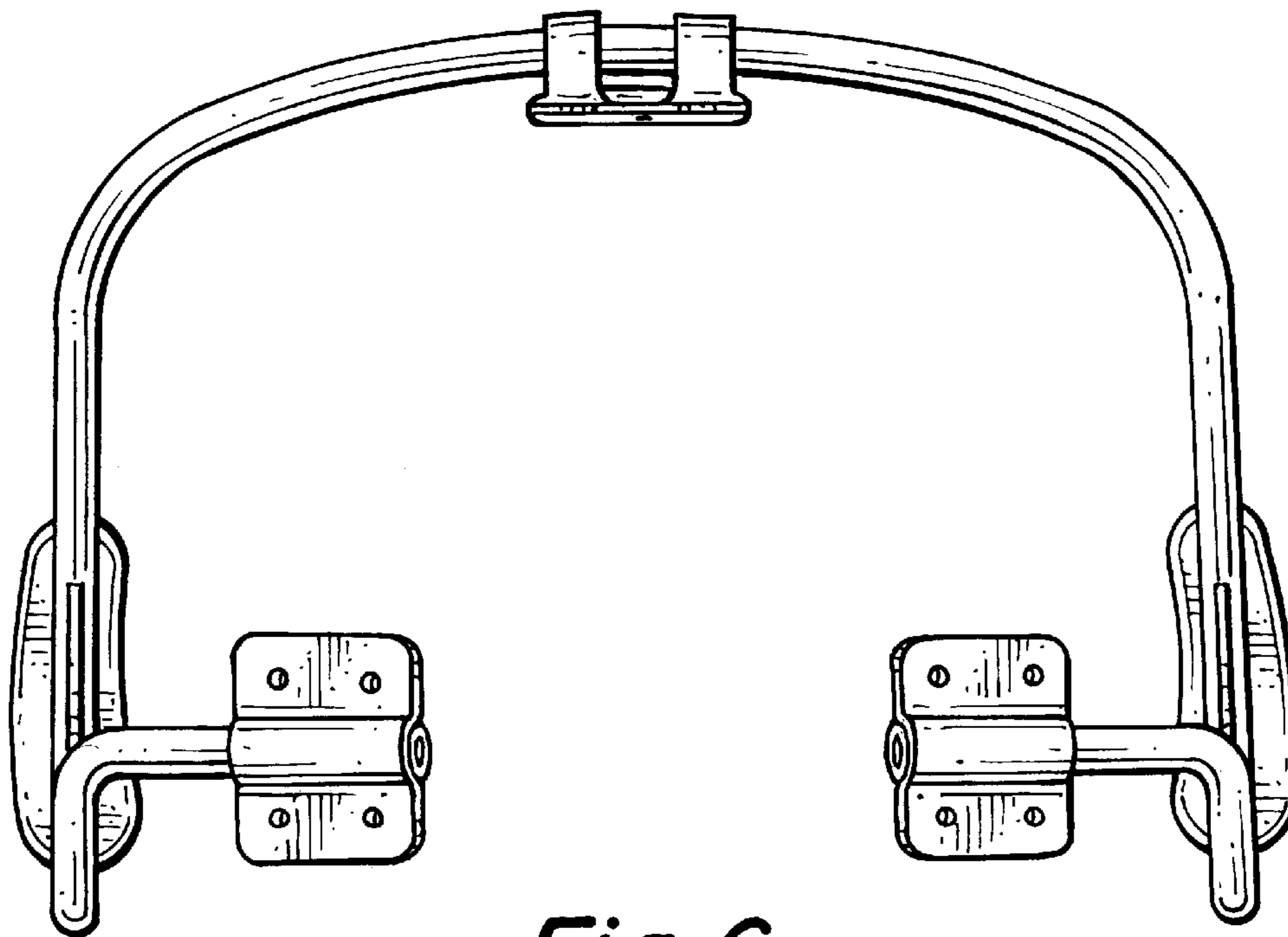


Fig. 6.