

US00D507437S

(12) **United States Design Patent**  
**Klaasen et al.**

(10) **Patent No.:** **US D507,437 S**  
(45) **Date of Patent:** **\*\* Jul. 19, 2005**

(54) **CHAIR SEAT AND BACKREST**

(75) Inventors: **Gardner J. Klaasen**, Ada, MI (US);  
**David Valdiserri**, East Grand Rapids,  
MI (US)

(73) Assignee: **Kimball International, Inc.**, Jasper, IN  
(US)

(\*\*) Term: **14 Years**

(21) Appl. No.: **29/210,605**

(22) Filed: **Aug. 3, 2004**

(51) **LOC (8) Cl.** ..... **06-06**

(52) **U.S. Cl.** ..... **D6/500; D6/366**

(58) **Field of Search** ..... D6/334, 364, 365,  
D6/366, 367, 372-376, 379, 380, 498, 500-502;  
297/411.2, 411.27, 452.21, 452.29, 452.35

(56) **References Cited**

**U.S. PATENT DOCUMENTS**

D346,911 S	*	5/1994	Lucci et al.	.....	D6/374
D390,384 S	*	2/1998	Schultz et al.	.....	D6/500
D395,962 S	*	7/1998	Buffon	.....	D6/366
D434,240 S	*	11/2000	Tseng	.....	D6/376
D454,450 S		3/2002	Chu	.....	D6/500
D459,923 S		7/2002	Chu	.....	D6/502
D465,680 S		11/2002	Chu	.....	D6/502

6,755,467 B1		6/2004	Chu	.....	297/284.1
D496,171 S	*	9/2004	Su	.....	D6/366
D496,812 S	*	10/2004	Chu	.....	D6/500

**OTHER PUBLICATIONS**

Product Information for Azeo chair by Global Group, www-globaltotaloffice.com, undated.

\* cited by examiner

*Primary Examiner*—Mimosa De

(74) *Attorney, Agent, or Firm*—Baker & Daniels

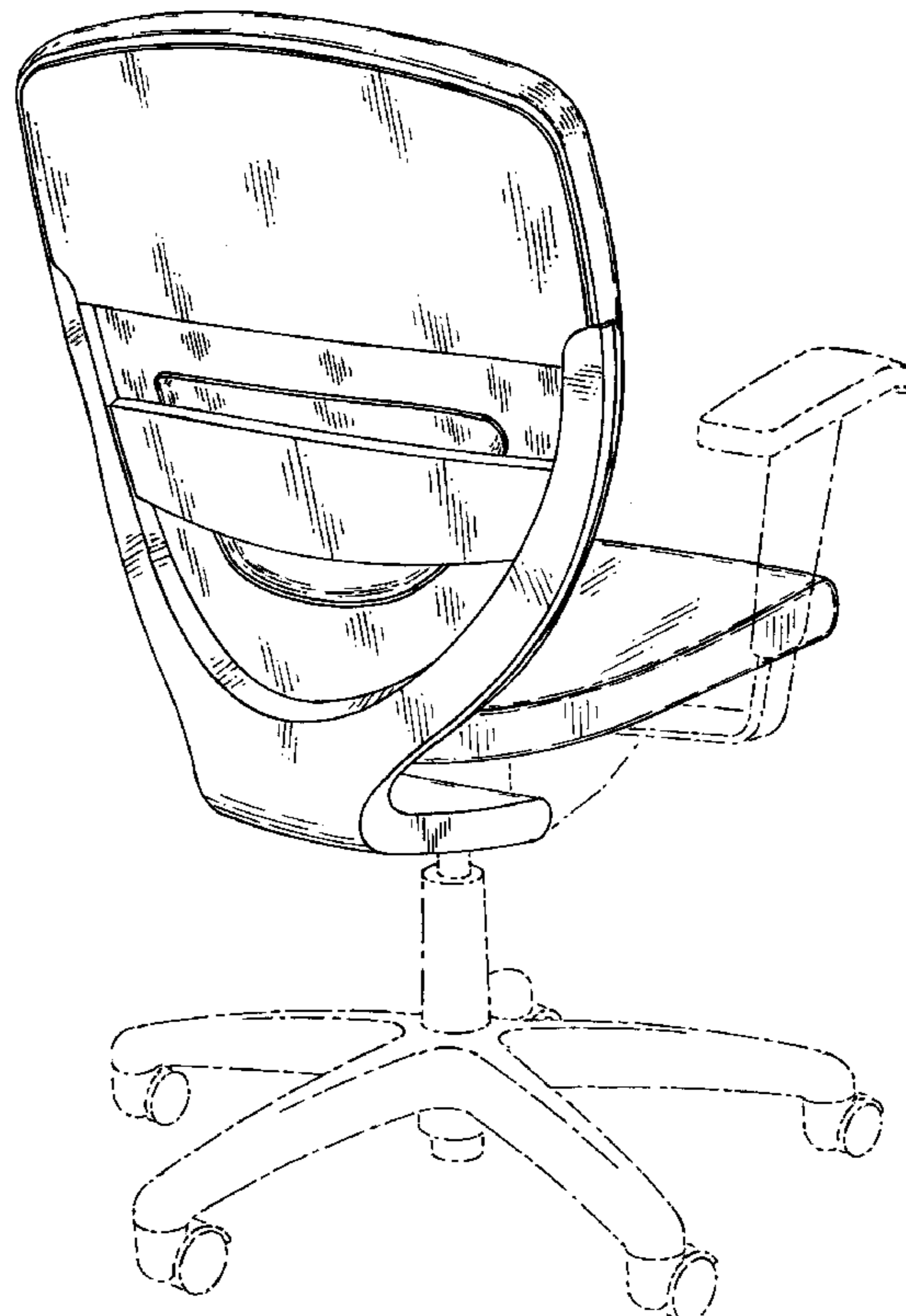
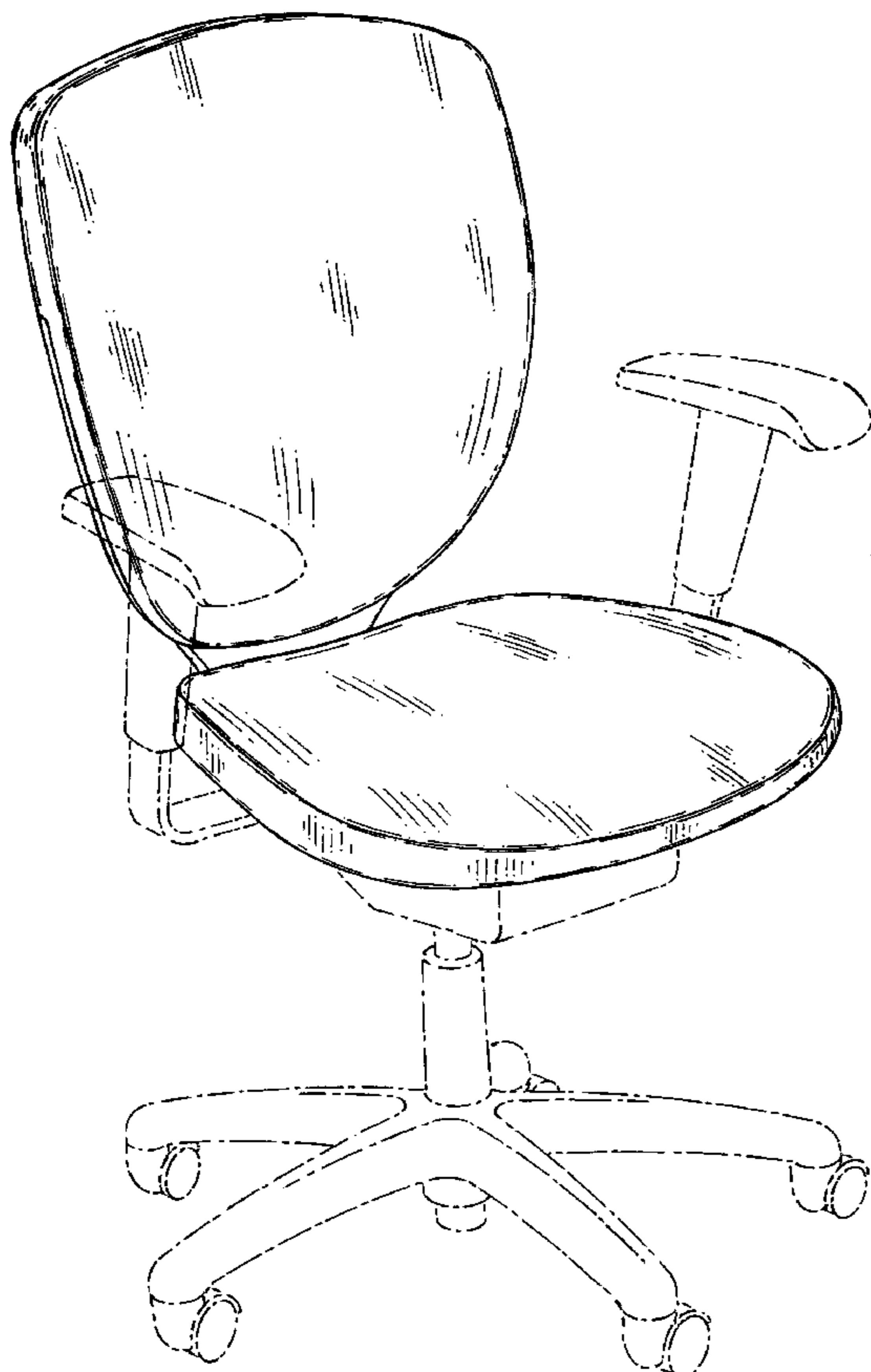
(57) **CLAIM**

The ornamental design of a chair seat and backrest, as shown and described.

**DESCRIPTION**

FIG. 1 is a front perspective view of a chair seat and backrest according to our new design;  
FIG. 2 is a back perspective view thereof;  
FIG. 3 is a front view thereof;  
FIG. 4 is a back view thereof;  
FIG. 5 is a right side view thereof;  
FIG. 6 is a left side view thereof; and,  
FIG. 7 is a top view thereof.  
Features shown in dashed lines form no part of the claimed design.

**1 Claim, 7 Drawing Sheets**



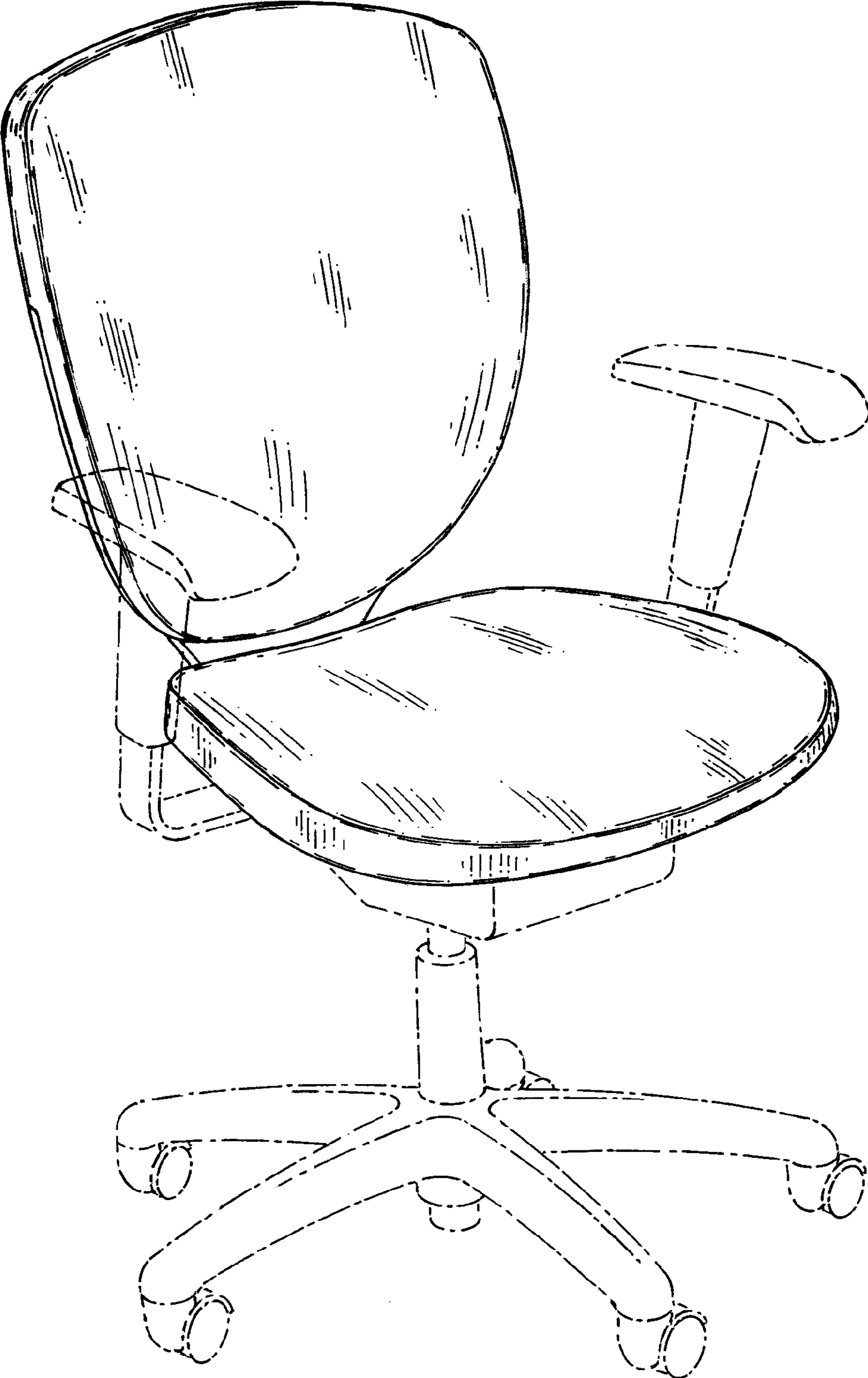


FIG. 1

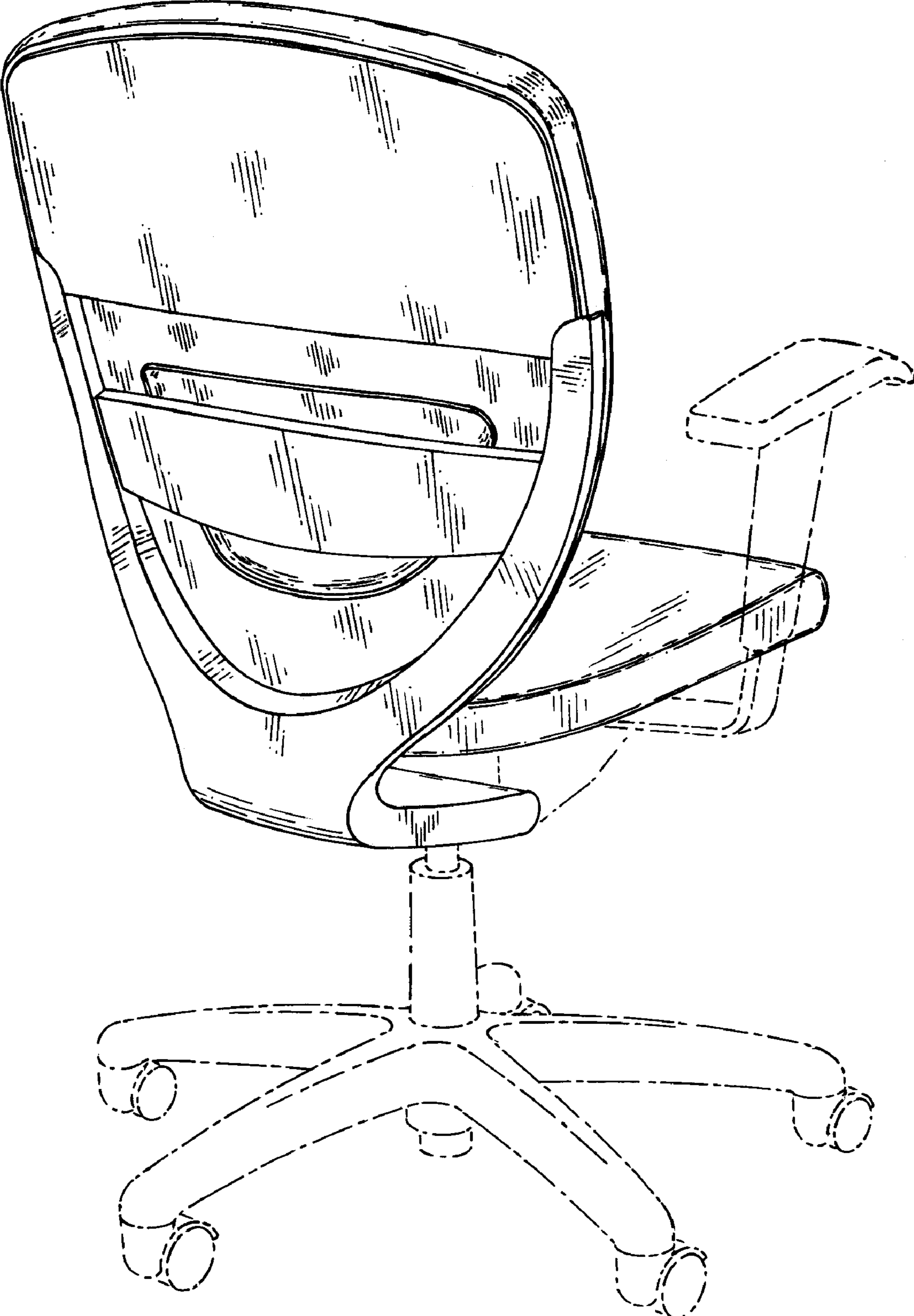


FIG. 2

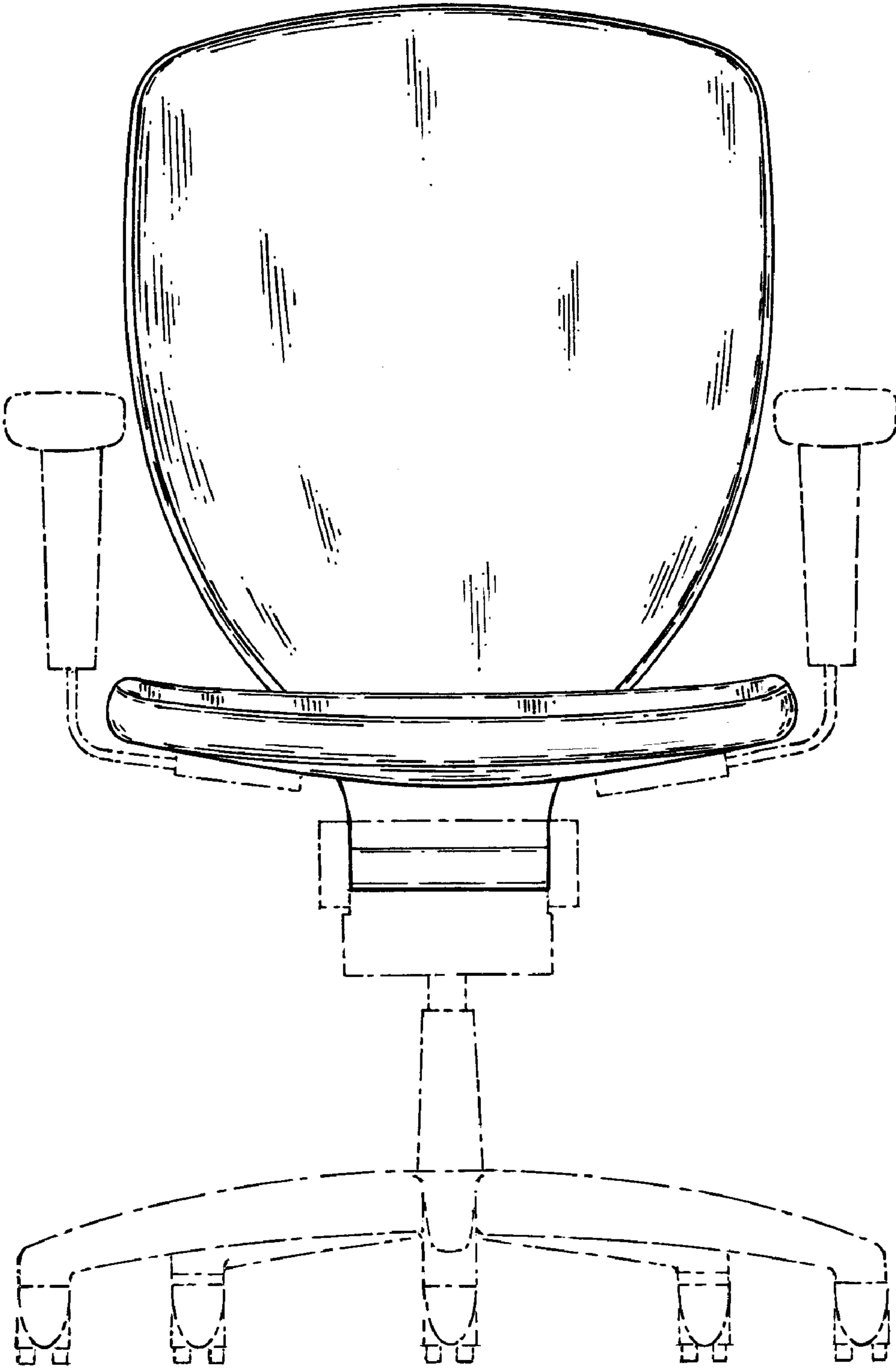


FIG. 3



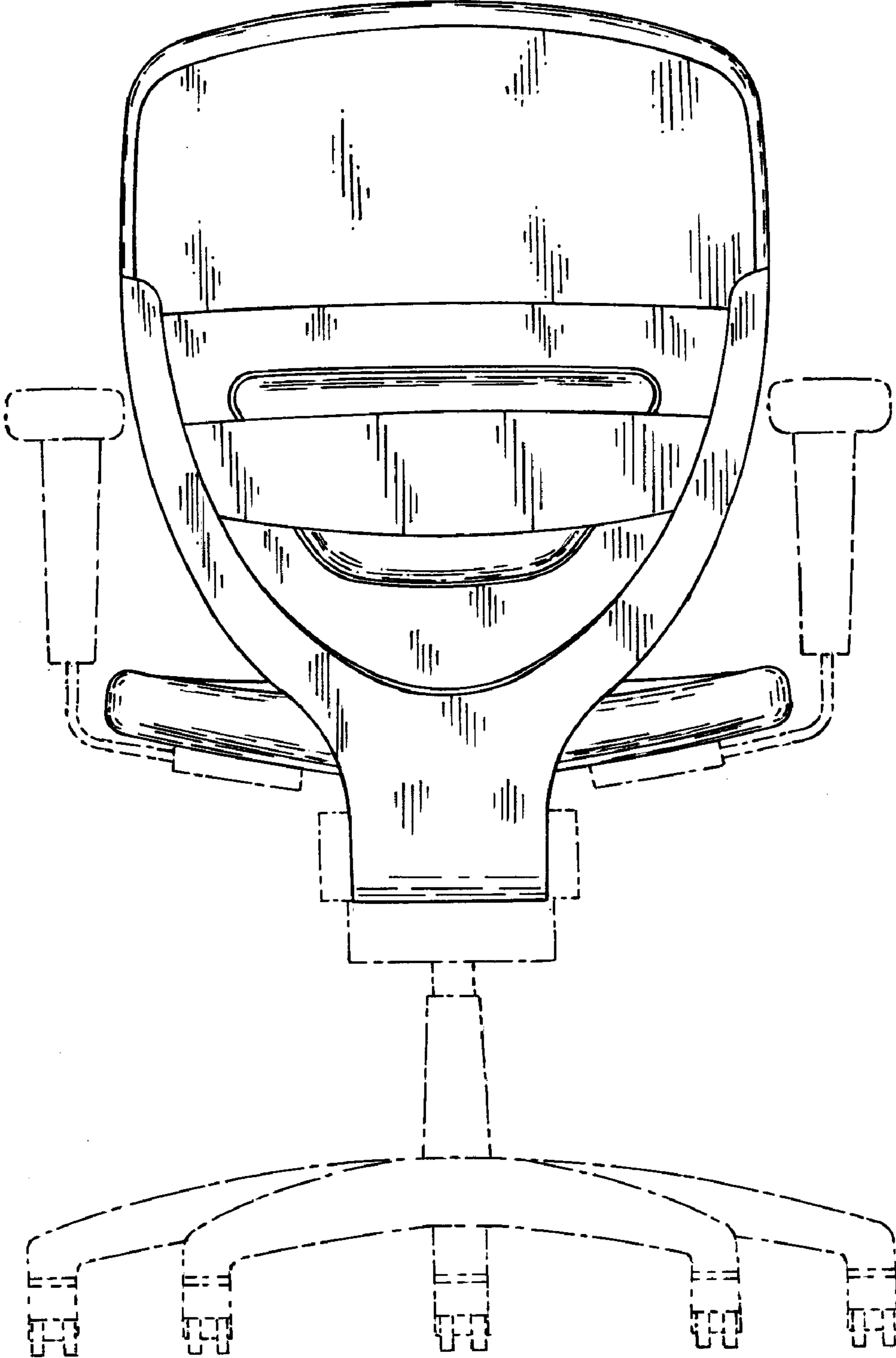


FIG. 4

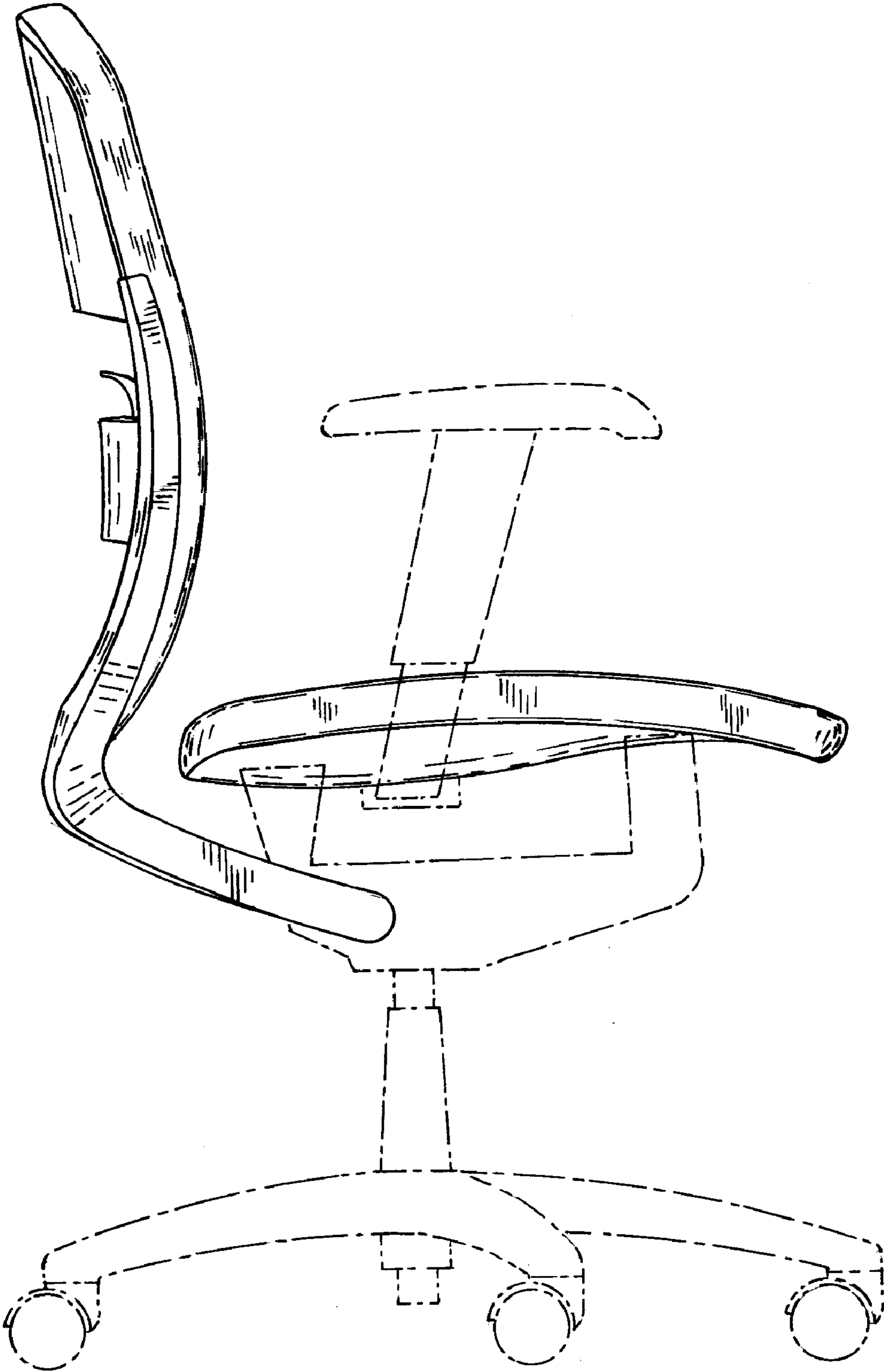


FIG. 5

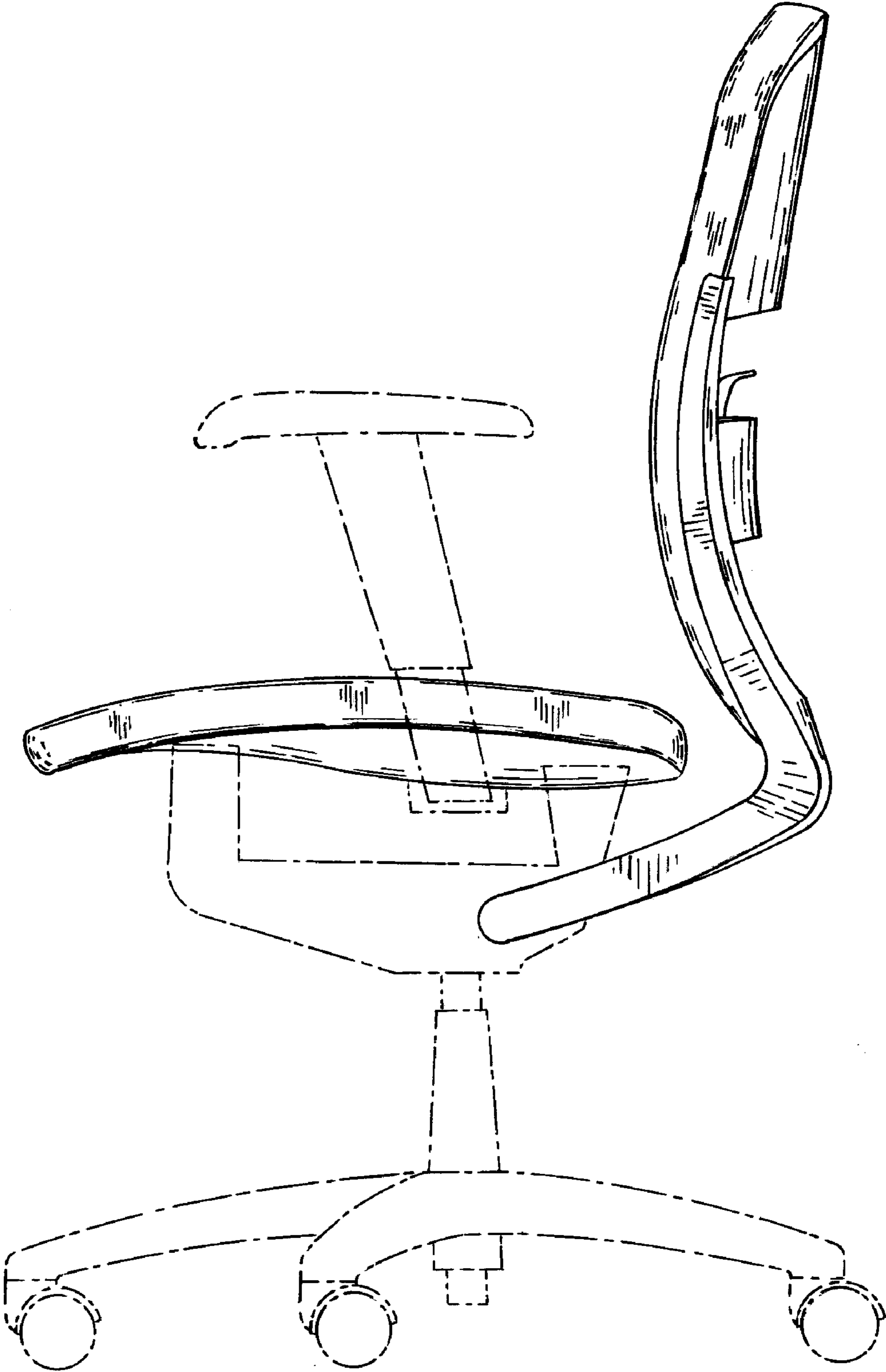


FIG. 6

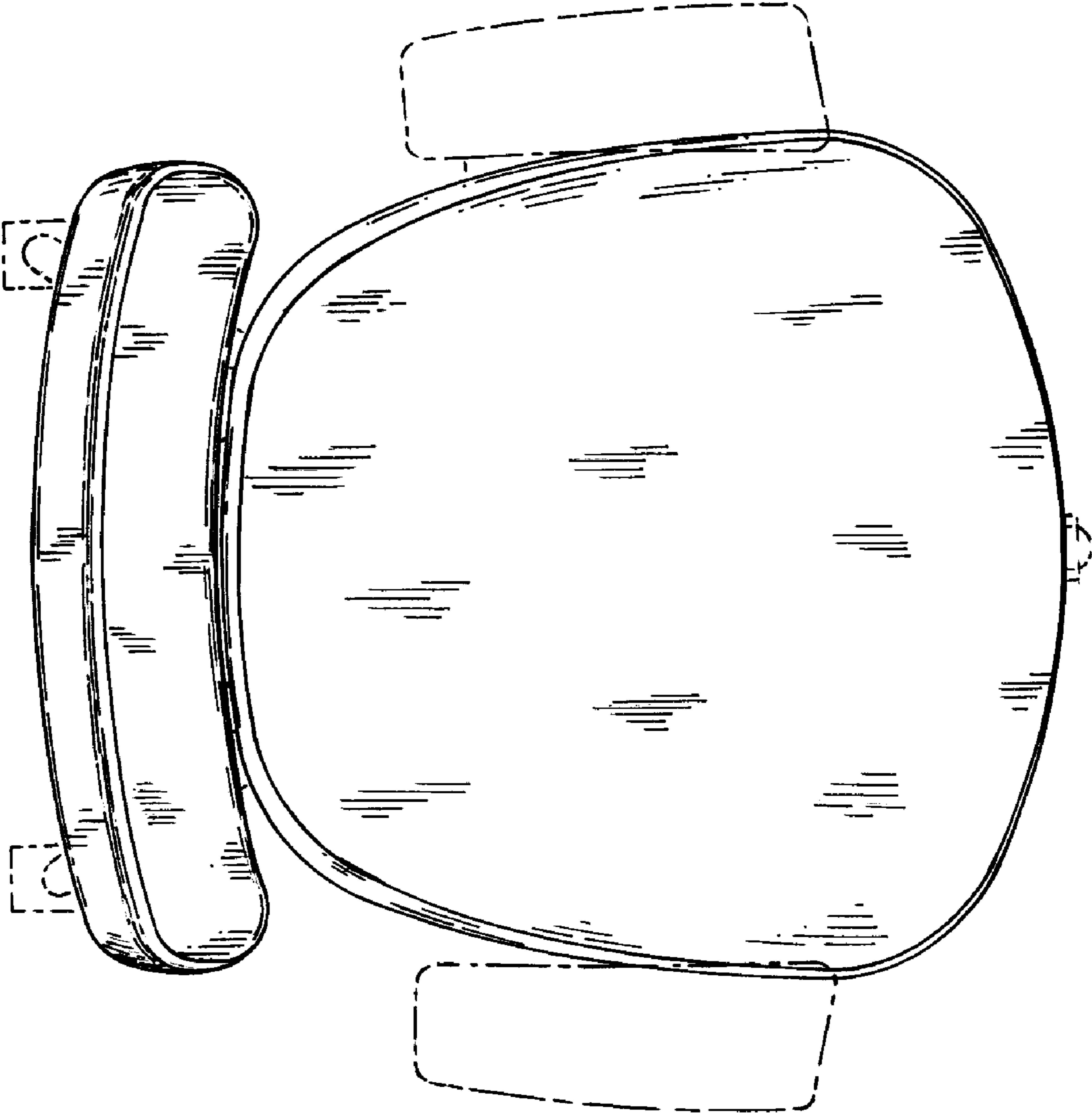


FIG. 7