

US00D507436S

(12) **United States Design Patent**
Chao

(10) **Patent No.:** **US D507,436 S**
(45) **Date of Patent:** **** Jul. 19, 2005**

(54) **CHAIR BASE**

(75) **Inventor:** **Mao-Chien Chao, Taichung Hsien (TW)**

(73) **Assignee:** **Hsin Chernq Enterprise Co., Ltd. (TW)**

(**) **Term:** **14 Years**

(21) **Appl. No.:** **29/173,623**

(22) **Filed:** **Jan. 2, 2003**

(51) **LOC (8) Cl.** **06-06**

(52) **U.S. Cl.** **D6/498; D6/366**

(58) **Field of Search** **D6/334, 364, 365, D6/366, 367, 498, 500, 501, 502; 248/188, 188.1, 188.7, 188.8, 188.9; 297/344.18, 463.1**

(56) **References Cited**

U.S. PATENT DOCUMENTS

D346,279 S * 4/1994 Stumpf et al. D6/366
D395,172 S * 6/1998 Pate D6/366

D398,163 S * 9/1998 Desanta D6/366
D437,513 S * 2/2001 Privatt et al. D6/498
D458,060 S * 6/2002 Vo D6/498
D460,870 S * 7/2002 Van De Riet et al. D6/366

* cited by examiner

Primary Examiner—Gary D. Watson

(74) *Attorney, Agent, or Firm*—Gray Cary Ware & Freidenrich LLP

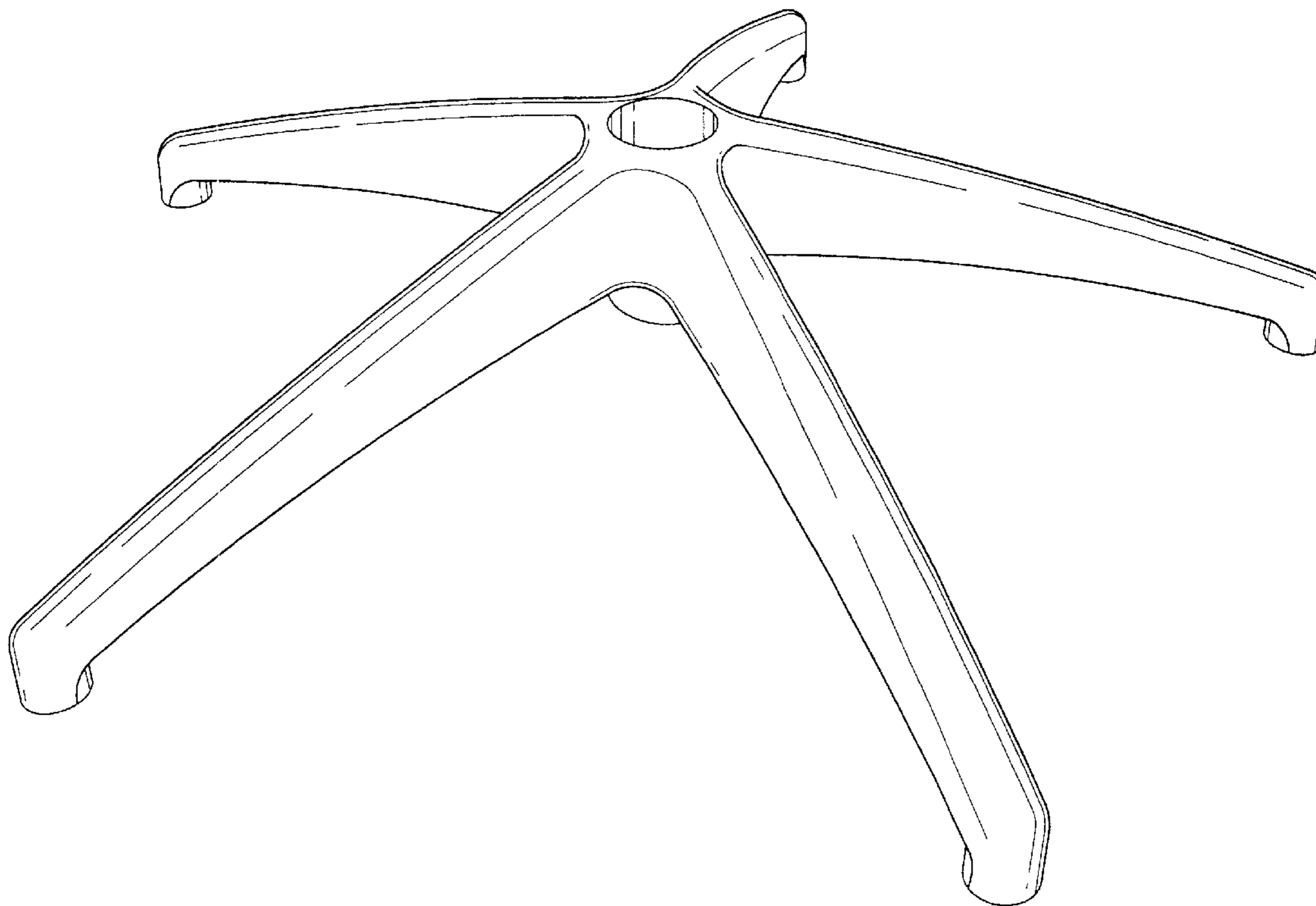
(57) **CLAIM**

The ornamental design for chair base, as shown and described.

DESCRIPTION

FIG. 1 is a perspective view of chair base showing the new design;
FIG. 2 is a front elevational view thereof;
FIG. 3 is a rear elevational view thereof;
FIG. 4 is a left side elevational view thereof;
FIG. 5 is a right side elevational view thereof;
FIG. 6 is a top plan view thereof; and,
FIG. 7 is a bottom plan view thereof.

1 Claim, 7 Drawing Sheets



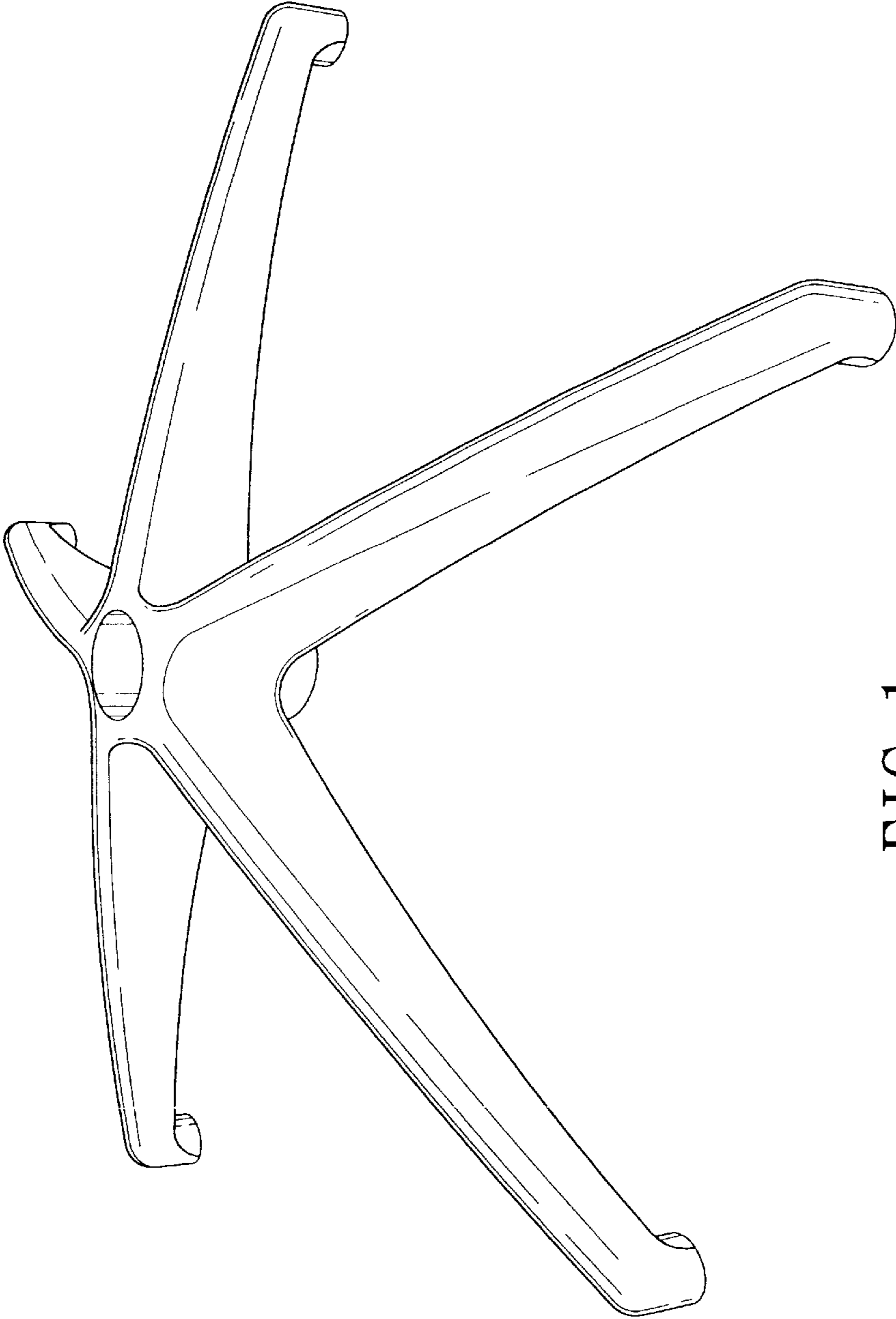


FIG. 1

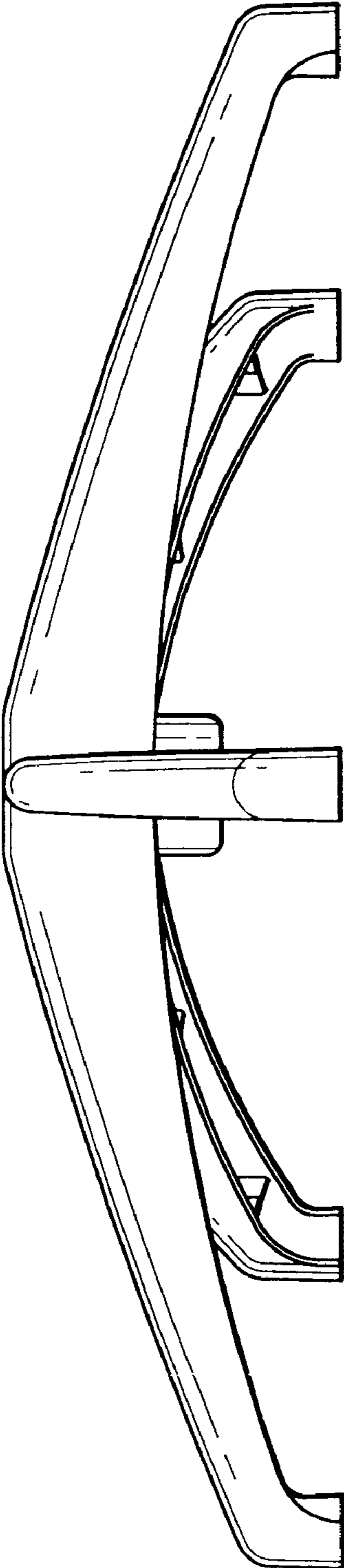


FIG. 2

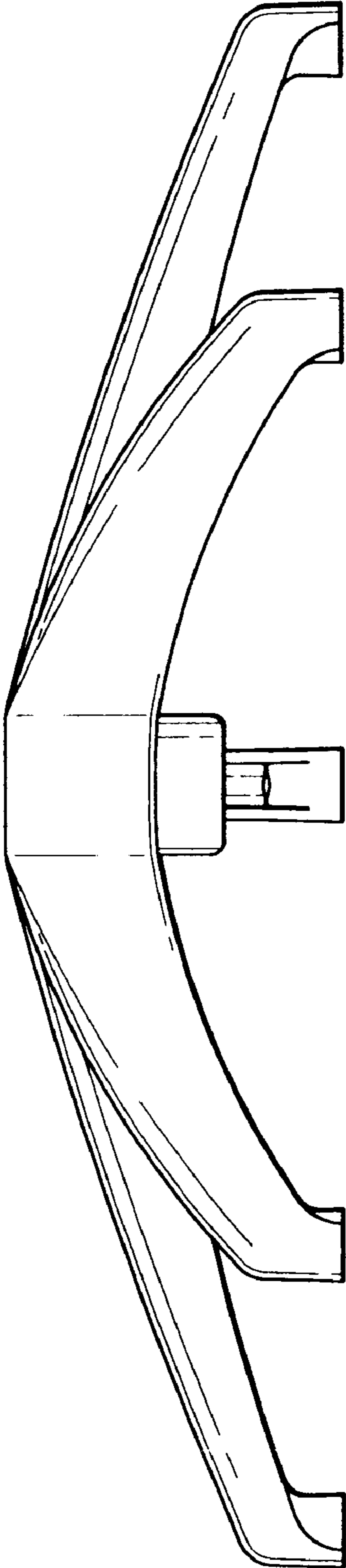


FIG. 3

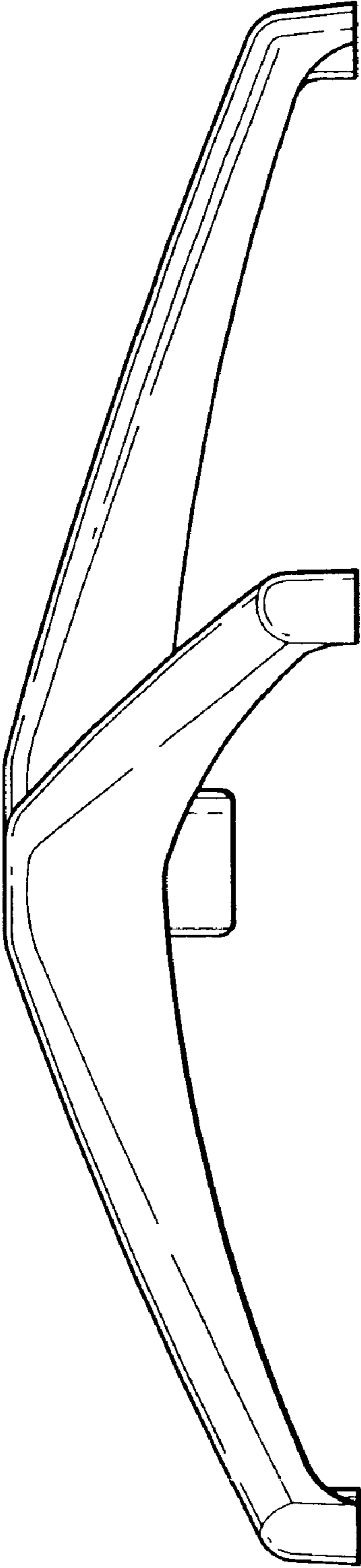


FIG. 4

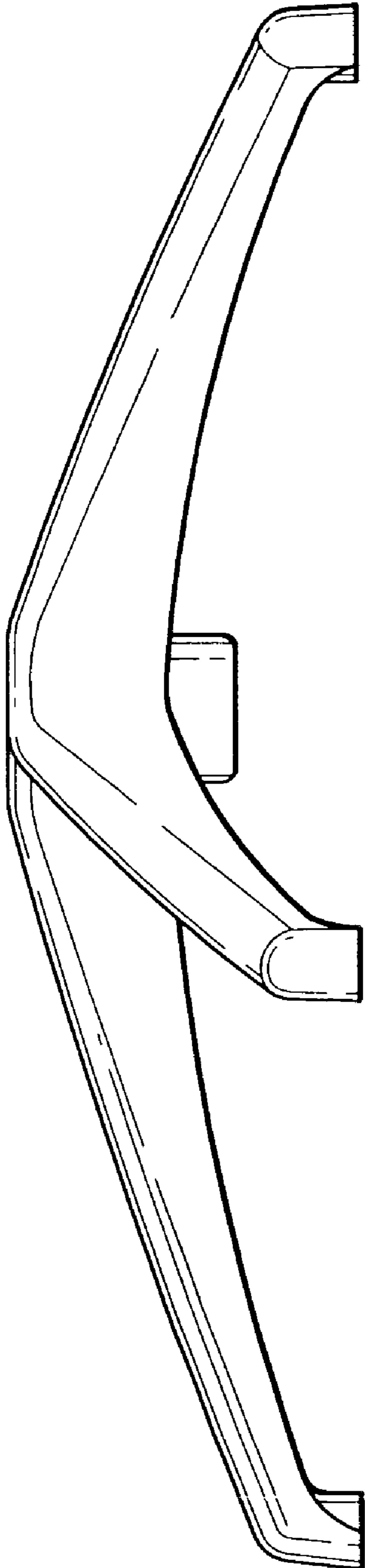


FIG. 5

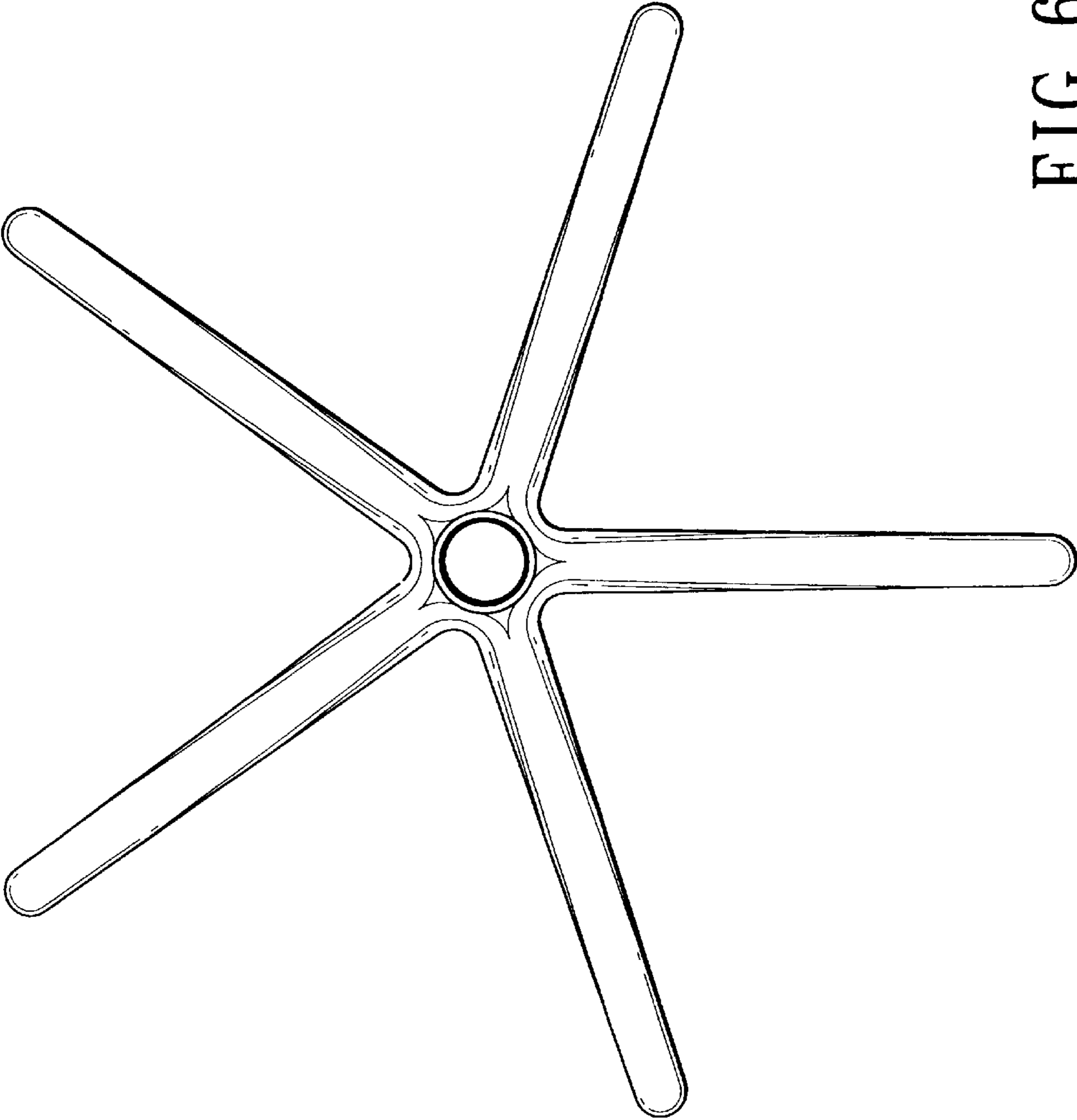


FIG. 6

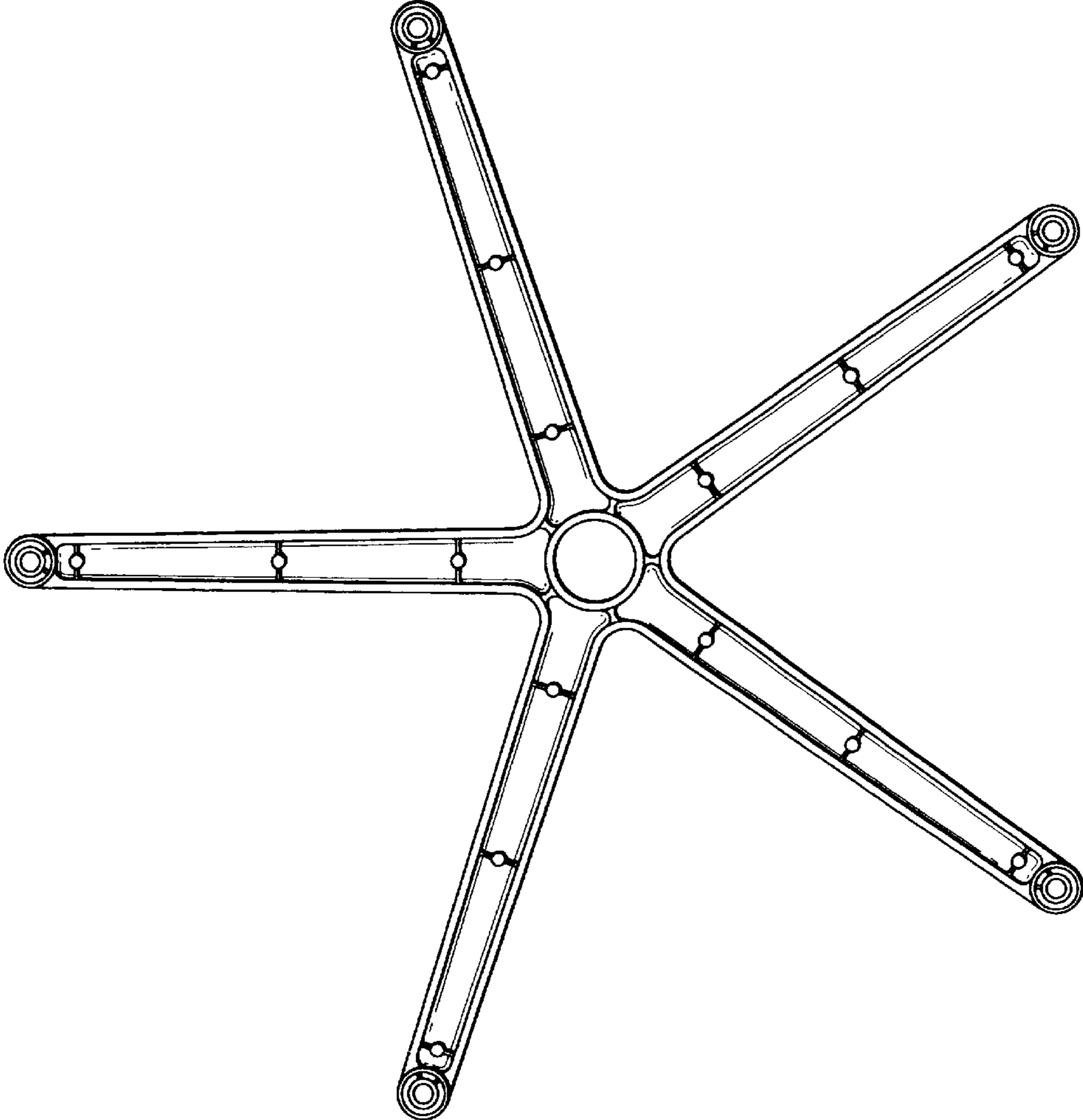


FIG. 7