

US00D507432S

(12) **United States Design Patent**  
**Goth**

(10) **Patent No.:** **US D507,432 S**

(45) **Date of Patent:** **\*\* Jul. 19, 2005**

(54) **SHELVING UNIT**

(76) **Inventor:** **Thomas P. Goth**, 8631 E. San Daniel  
Dr., Scottsdale, AZ (US) 85258

(\*\*) **Term:** **14 Years**

(21) **Appl. No.:** **29/212,102**

(22) **Filed:** **Aug. 26, 2004**

(51) **LOC (8) Cl.** ..... **06-04**

(52) **U.S. Cl.** ..... **D6/474**

(58) **Field of Search** ..... D6/460, 461, 468,  
D6/474, 477-479; 108/59, 91, 92, 96; 211/40,  
41.12, 42, 49.1, 50, 85.2, 90.04, 187, 190,  
119.003, 134.153, 87.01, 71.01

(56) **References Cited**

**U.S. PATENT DOCUMENTS**

|             |   |         |              |       |        |
|-------------|---|---------|--------------|-------|--------|
| D93,277 S   | * | 9/1934  | Lapin et al. | ..... | D6/474 |
| D145,950 S  | * | 11/1946 | Martino      | ..... | D6/474 |
| 2,528,838 A | * | 11/1950 | Martino      | ..... | D6/474 |
| D282,225 S  | * | 1/1986  | Sandy        | ..... | D6/474 |

|            |   |        |              |       |        |
|------------|---|--------|--------------|-------|--------|
| D300,489 S | * | 4/1989 | Antonellis   | ..... | D6/466 |
| D327,385 S | * | 6/1992 | Allen        | ..... | D6/474 |
| D337,903 S | * | 8/1993 | Shelton, Jr. | ..... | D6/474 |
| D390,380 S | * | 2/1998 | Furnell      | ..... | D6/474 |
| D487,651 S | * | 3/2004 | Bloch et al. | ..... | D6/474 |

\* cited by examiner

*Primary Examiner*—Cathron Brooks

(74) *Attorney, Agent, or Firm*—Parsons & Goltry; Michael  
W. Goltry; Robert A. Parsons

(57) **CLAIM**

The ornamental design for a shelving unit, as shown and  
described.

**DESCRIPTION**

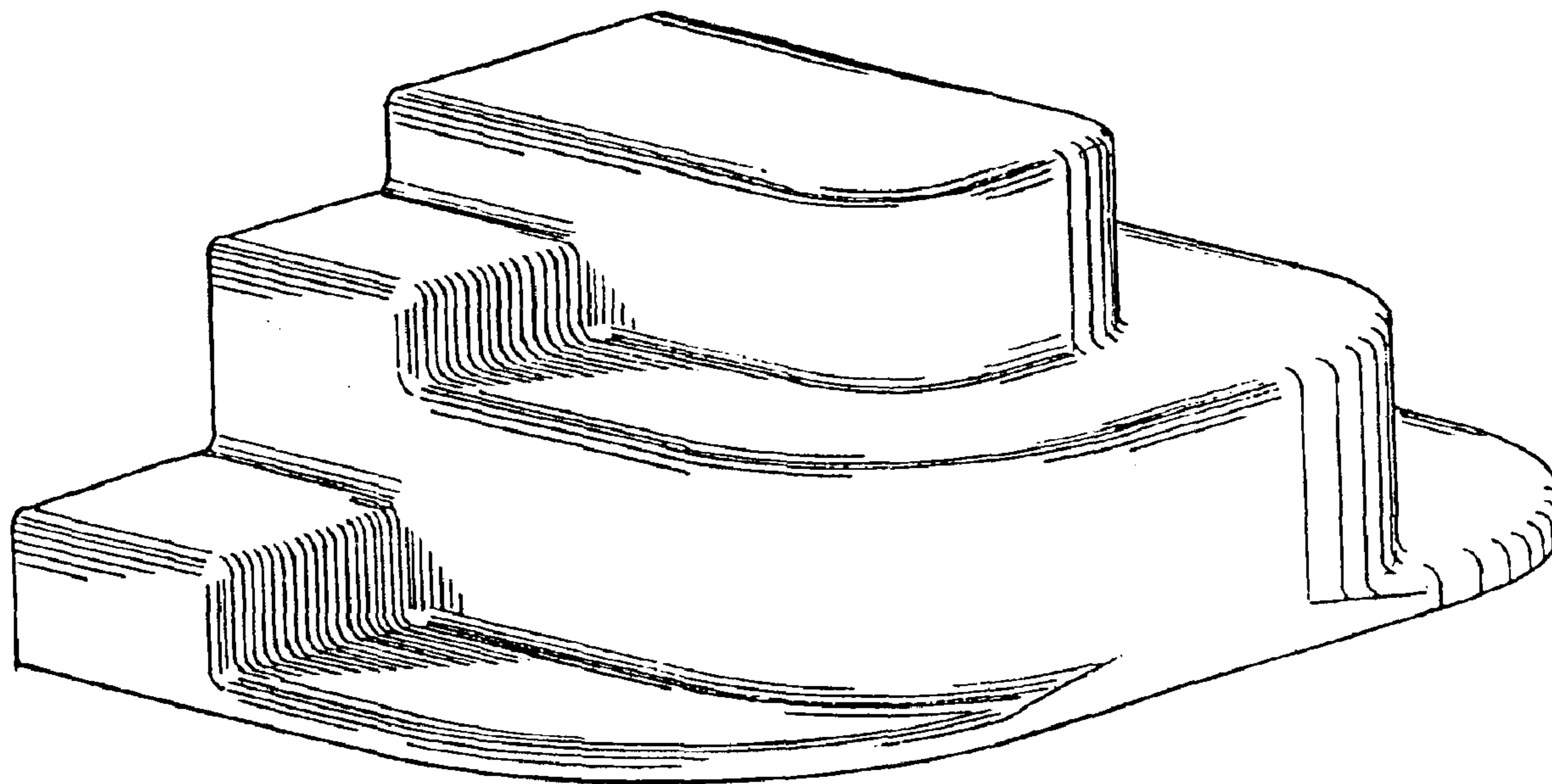
FIG. 1 is a perspective view of a shelving unit showing my  
new design;

FIG. 2 is a top plan view thereof;

FIG. 3 is a front elevational view thereof; and,

FIG. 4 is a left side elevational view thereof, the opposing  
right side elevational view being the same thereof.

**1 Claim, 2 Drawing Sheets**



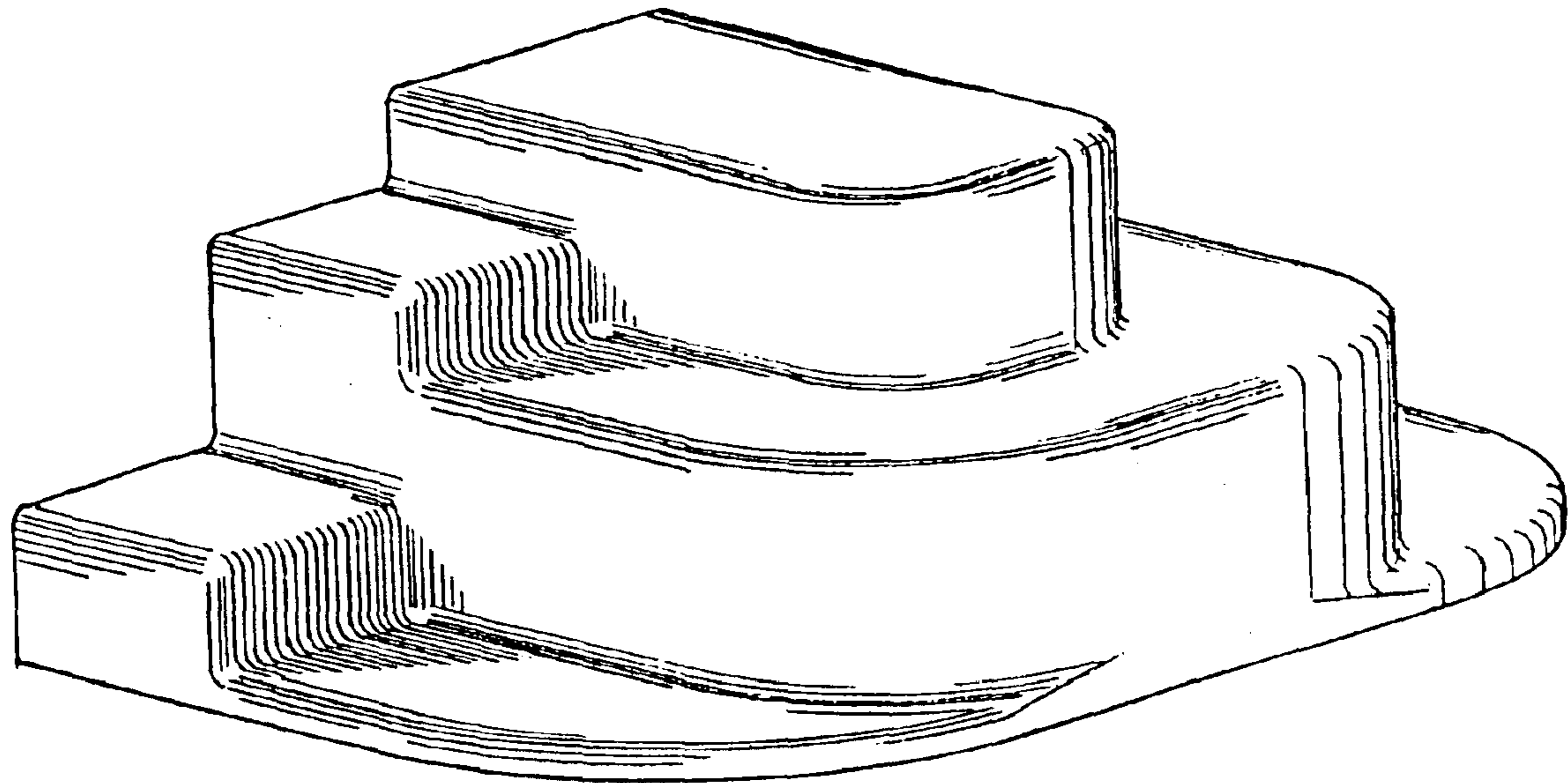


FIG. 1

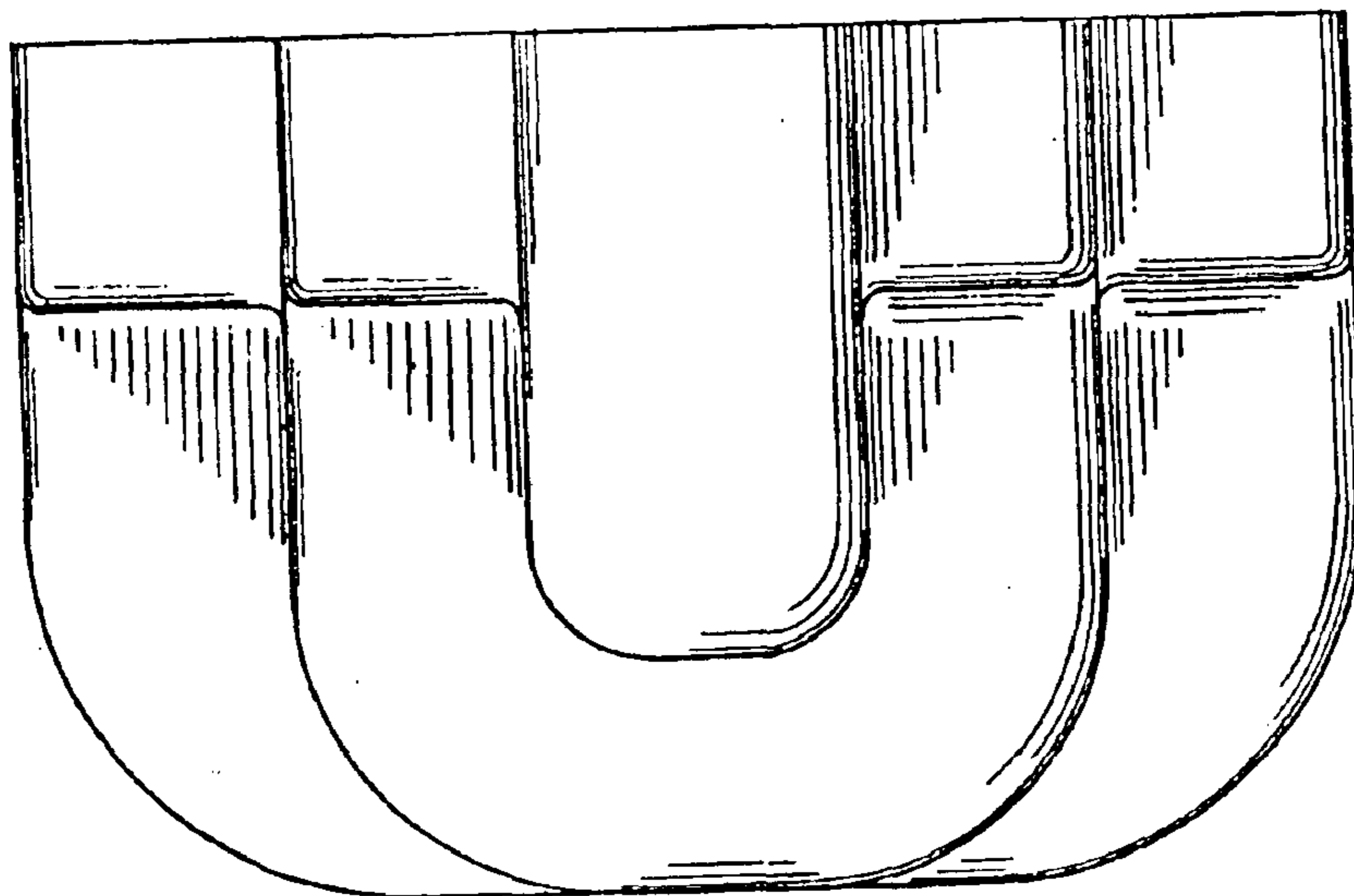


FIG. 2

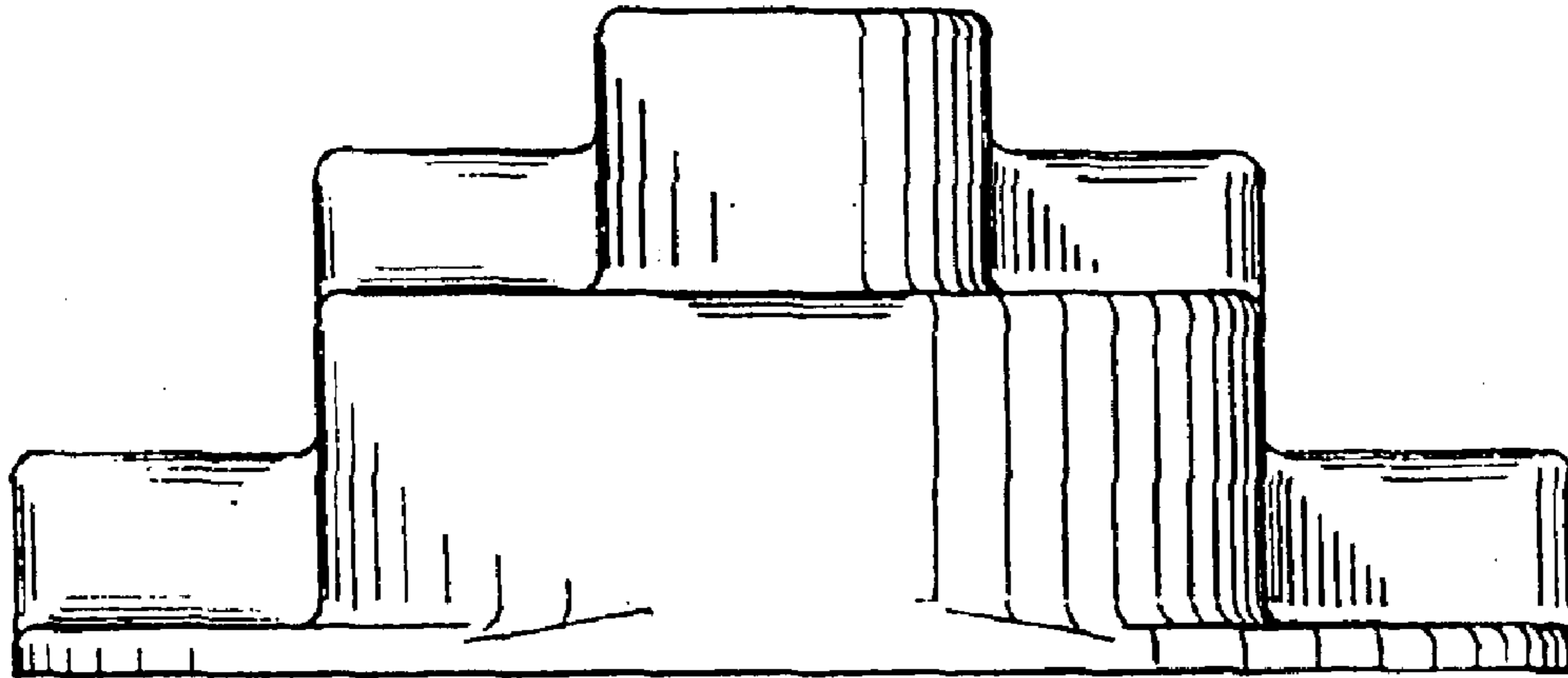


FIG. 3

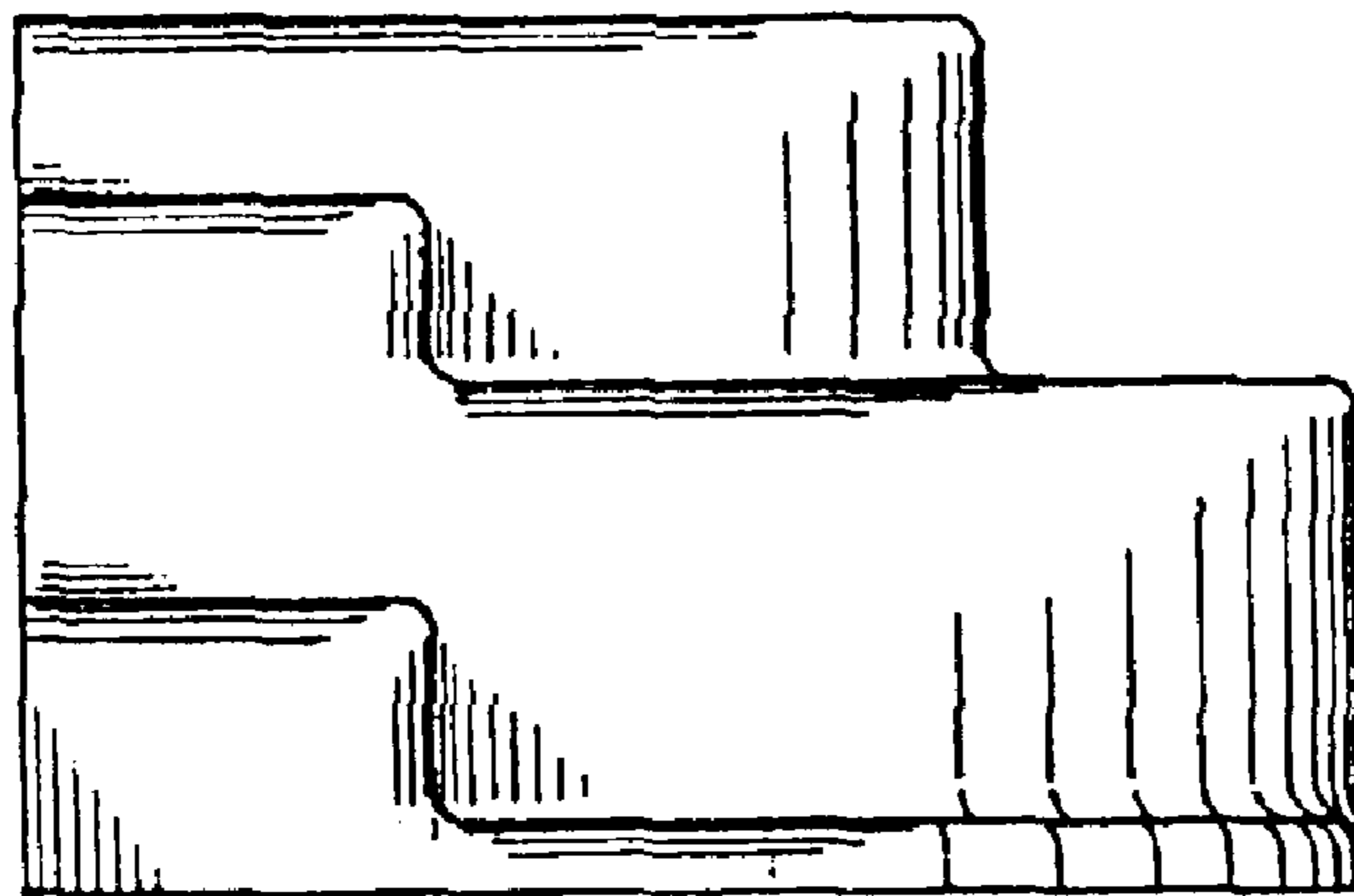


FIG. 4