

US00D507431S

(12) **United States Design Patent**
Goth

(10) **Patent No.:** **US D507,431 S**

(45) **Date of Patent:** **** Jul. 19, 2005**

(54) **SHELVING UNIT**

(76) **Inventor:** **Thomas P. Goth**, 8631 E. San Daniel Dr., Scottsdale, AZ (US) 85258

(**) **Term:** **14 Years**

(21) **Appl. No.:** **29/212,098**

(22) **Filed:** **Aug. 26, 2004**

(51) **LOC (8) Cl.** **06-04**

(52) **U.S. Cl.** **D6/474**

(58) **Field of Search** D6/460, 461, 468, D6/474, 477-479; 108/59, 91, 92, 96; 211/40, 41.12, 42, 49.1, 50, 85.2, 90.04, 187, 190, 119.003, 134.153, 87.01, 71.01

(56) **References Cited**

U.S. PATENT DOCUMENTS

1,514,055	A	*	11/1924	Lawson	108/100
D93,277	S	*	9/1934	Lapin et al.	D6/474
2,115,048	A	*	4/1938	Stewart	108/92
2,528,838	A	*	11/1950	Martino	D6/474
D207,564	S	*	5/1967	Hartford	D6/468
D232,143	S	*	7/1974	Spydevold	D6/468
D242,890	S	*	1/1977	Hillman et al.	D6/473
4,025,137	A	*	5/1977	Wylar	D6/474
D278,671	S	*	5/1985	Sandy	D6/474

D282,225	S	*	1/1986	Sandy	D6/474
D300,489	S	*	4/1989	Antonellis	D6/466
D337,903	S	*	8/1993	Shelton, Jr.	D6/474
D381,362	S	*	7/1997	Meyer	D6/468
D381,840	S	*	8/1997	Bevill et al.	D6/474
D388,266	S	*	12/1997	Axelrod	
D403,538	S	*	1/1999	Habib	D6/474
D487,651	S	*	3/2004	Bloch et al.	D6/474
2004/0060879	A1	*	4/2004	Cohen	211/85.2

* cited by examiner

Primary Examiner—Cathron Brooks

(74) *Attorney, Agent, or Firm*—Parsons & Goltry; Michael W. Goltry; Robert A. Parsons

(57) **CLAIM**

The ornamental design for a shelving unit, as shown and described.

DESCRIPTION

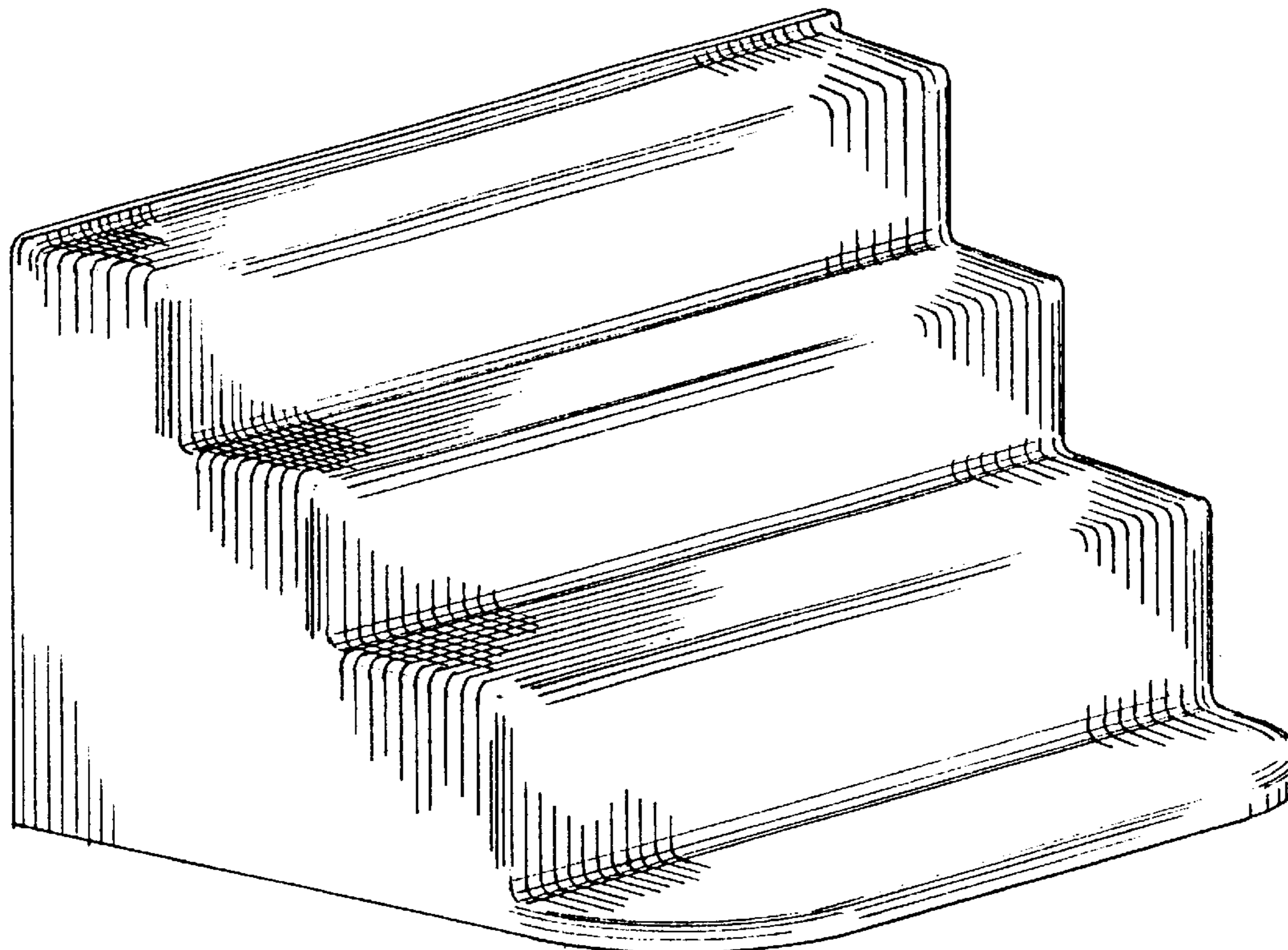
FIG. 1 is a perspective view of a shelving unit showing my new design;

FIG. 2 is a top plan view thereof;

FIG. 3 is a front elevational view thereof; and,

FIG. 4 is a left side elevational view thereof, the opposing right side elevational view being the same thereof.

1 Claim, 3 Drawing Sheets



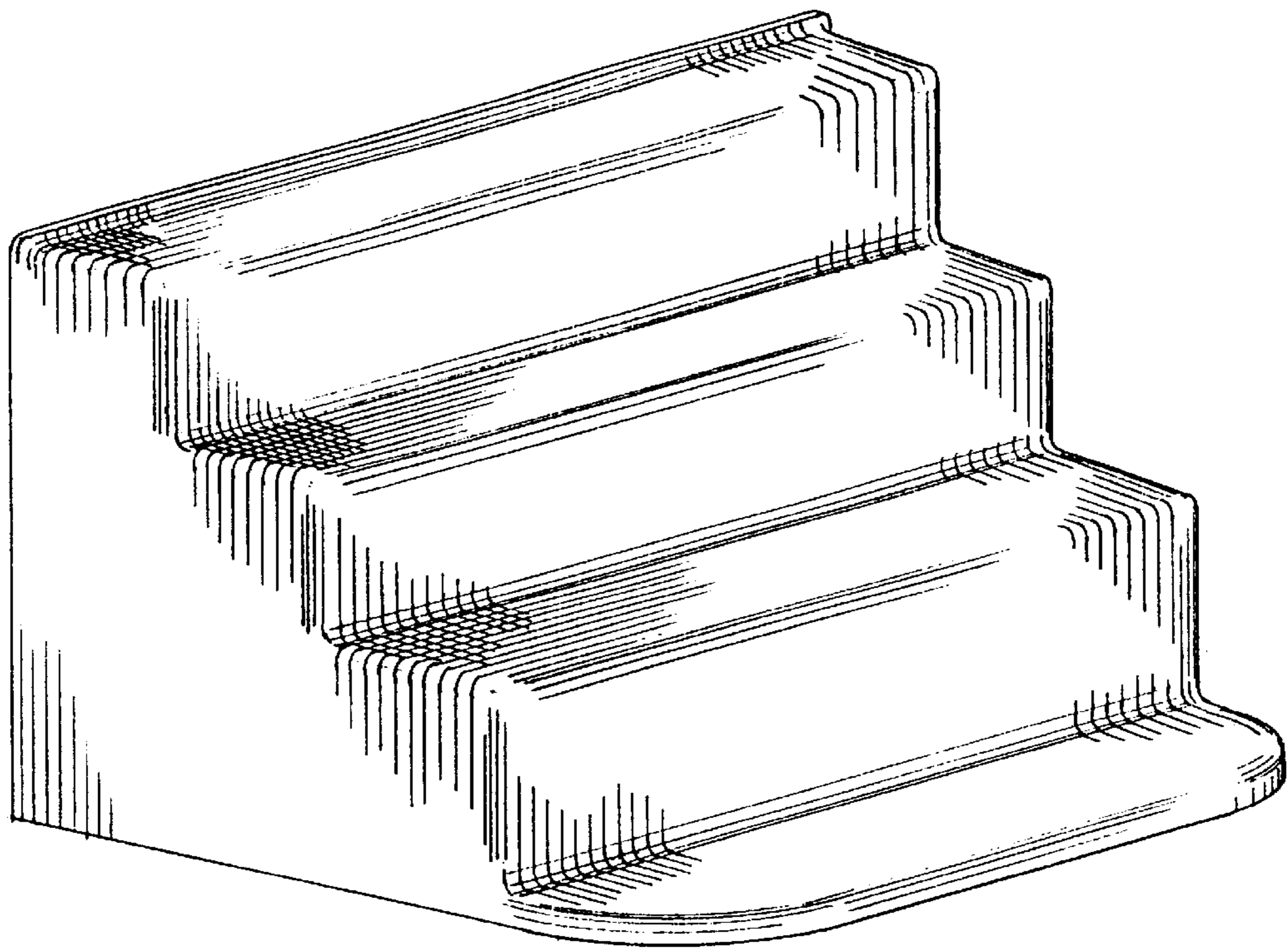


FIG. 1

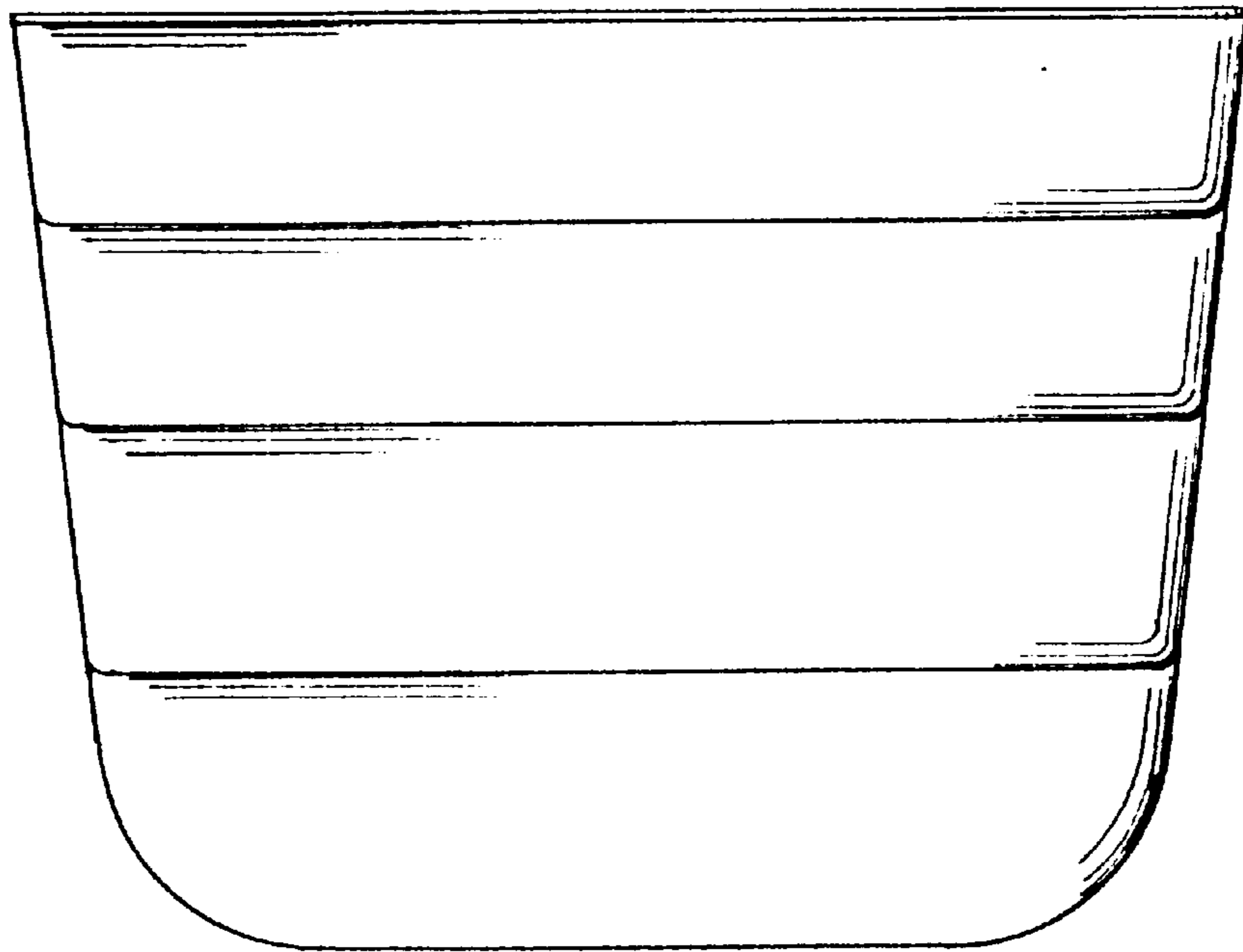


FIG. 2

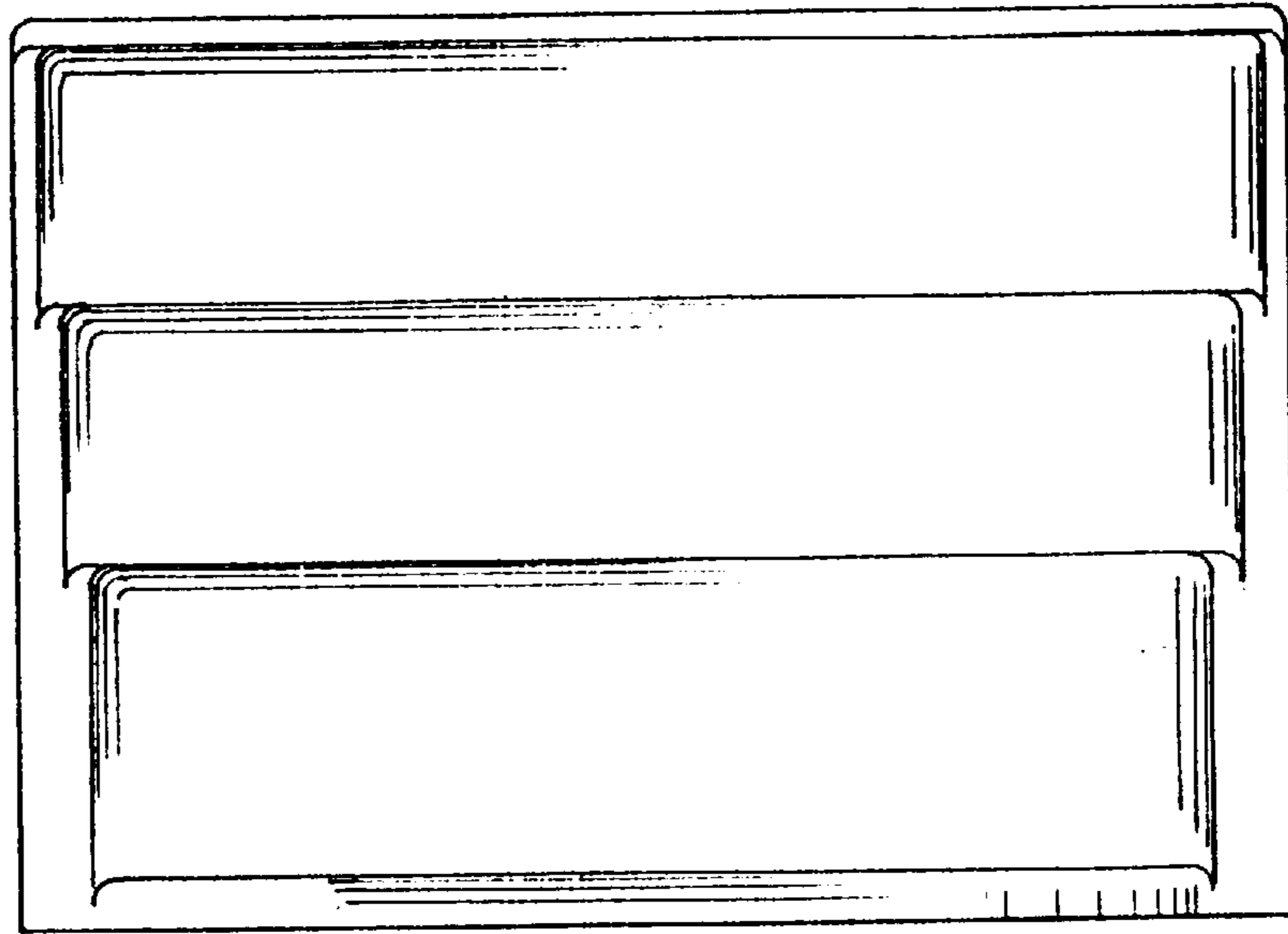


FIG. 3

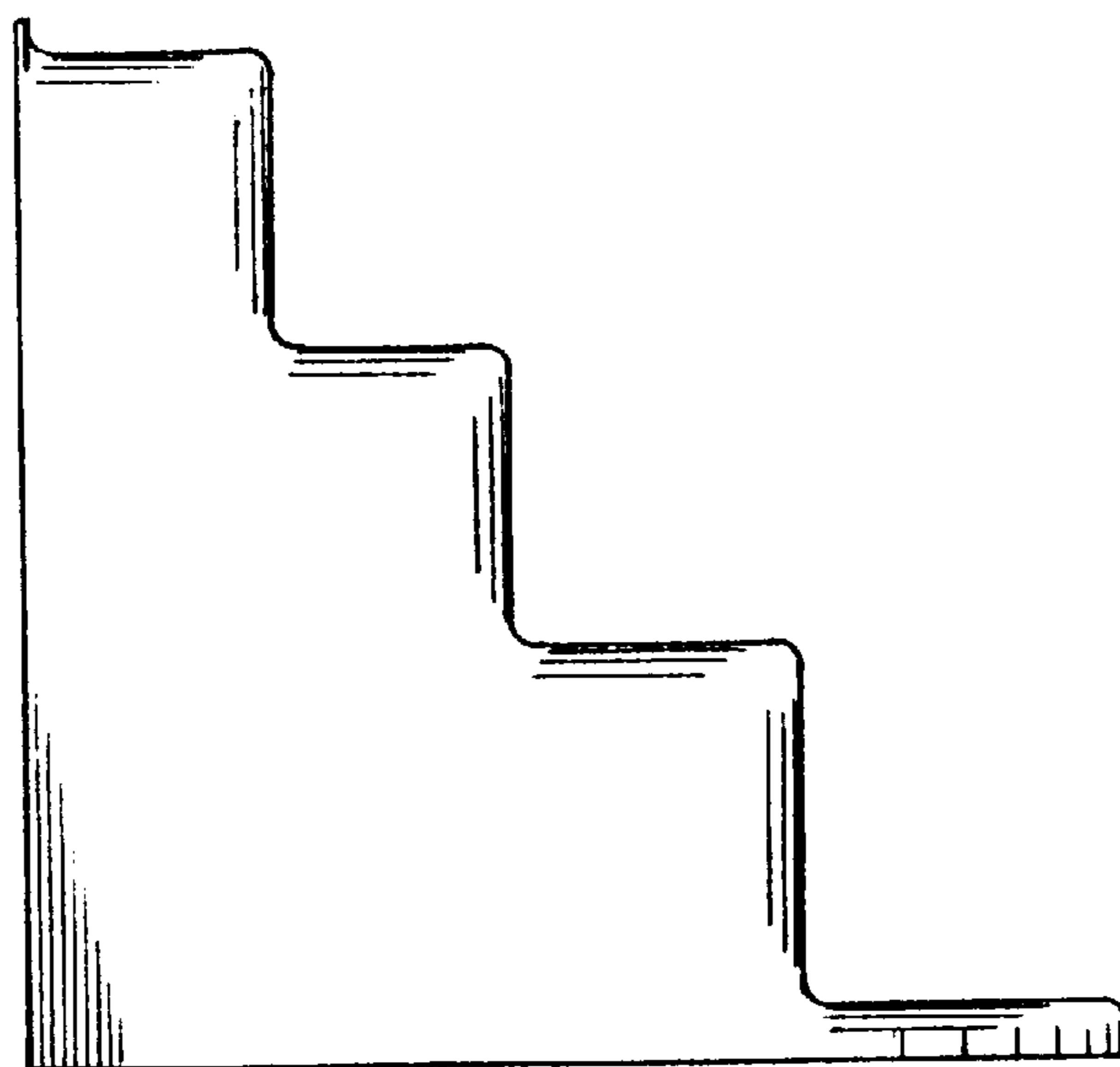


FIG. 4