

US00D507430S

(12) **United States Design Patent** (10) **Patent No.:** **US D507,430 S**
Risdon et al. (45) **Date of Patent:** **** Jul. 19, 2005**

(54) **THREE DRAWER NIGHTSTAND**
(75) Inventors: **Scott M. Risdon**, Greensboro, NC
(US); **Timothy M. O'Hare**, Oak Ridge,
NC (US)

(73) Assignee: **Pennsylvania House, Inc.**, Greensboro,
NC (US)

(**) Term: **14 Years**

(21) Appl. No.: **29/196,056**

(22) Filed: **Dec. 19, 2003**

Related U.S. Application Data

(62) Division of application No. 29/176,455, filed on Feb. 21,
2003.

(51) **LOC (8) Cl.** **06-04**

(52) **U.S. Cl.** **D6/445; D6/446**

(58) **Field of Search** D6/437-439, 441,
D6/444-447; 312/114, 204, 224, 278-279

(56) **References Cited**

U.S. PATENT DOCUMENTS

D109,986 S	*	6/1938	Hickerson	D6/446
D145,542 S		9/1946	Sky	D6/488
D150,823 S	*	9/1948	Buckner	D6/441
D346,082 S		4/1994	Ward	D6/484
D374,785 S	*	10/1996	Keller et al.	D6/446
D401,781 S	*	12/1998	Zaidman	D6/446
D414,055 S	*	9/1999	Draheim et al.	D6/441
D448,952 S		10/2001	O'Hare et al.	D6/484

D459,621 S		7/2002	O'Hare et al.	D6/484
D460,878 S	*	7/2002	Keller	D6/441
D460,882 S		7/2002	Stanton	D6/484
D462,197 S	*	9/2002	Tabbia	D6/446
D488,638 S	*	4/2004	Stanton	D6/441

OTHER PUBLICATIONS

Drexel Heritage, Talavera Hall Chest, p. 28, 2002.*

* cited by examiner

Primary Examiner—Cathron Brooks

(74) *Attorney, Agent, or Firm*—Harness, Dickey & Pierce,
P.L.C.

(57) **CLAIM**

The ornamental design for the three drawer nightstand, as
shown and described.

DESCRIPTION

FIG. 1 is a perspective view of a 3-drawer nightstand in
accordance with the present invention;

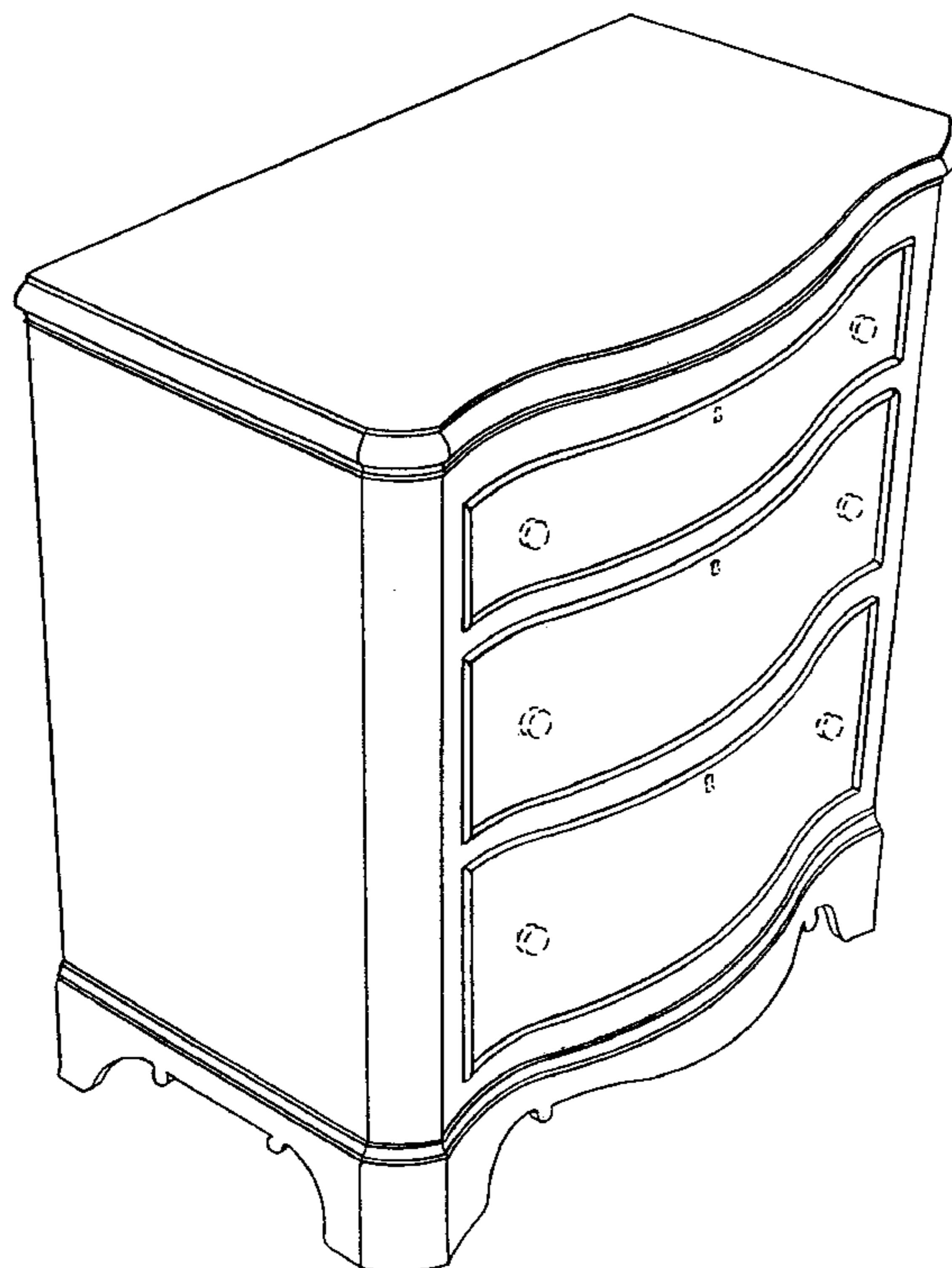
FIG. 2 is a front view of the 3-drawer nightstand, the back
of the 3-drawer nightstand is not illustrated as it forms no
part of the present invention;

FIG. 3 is a top view of the 3-drawer nightstand, the bottom
of the 3-drawer nightstand is not illustrated as it forms no
part of the present invention; and,

FIG. 4 is a right side view of the 3-drawer nightstand, the left
side view being a mirror image thereof.

The broken line showing of hardware is for illustrative
purposes only and forms no part of the claimed design.

1 Claim, 3 Drawing Sheets



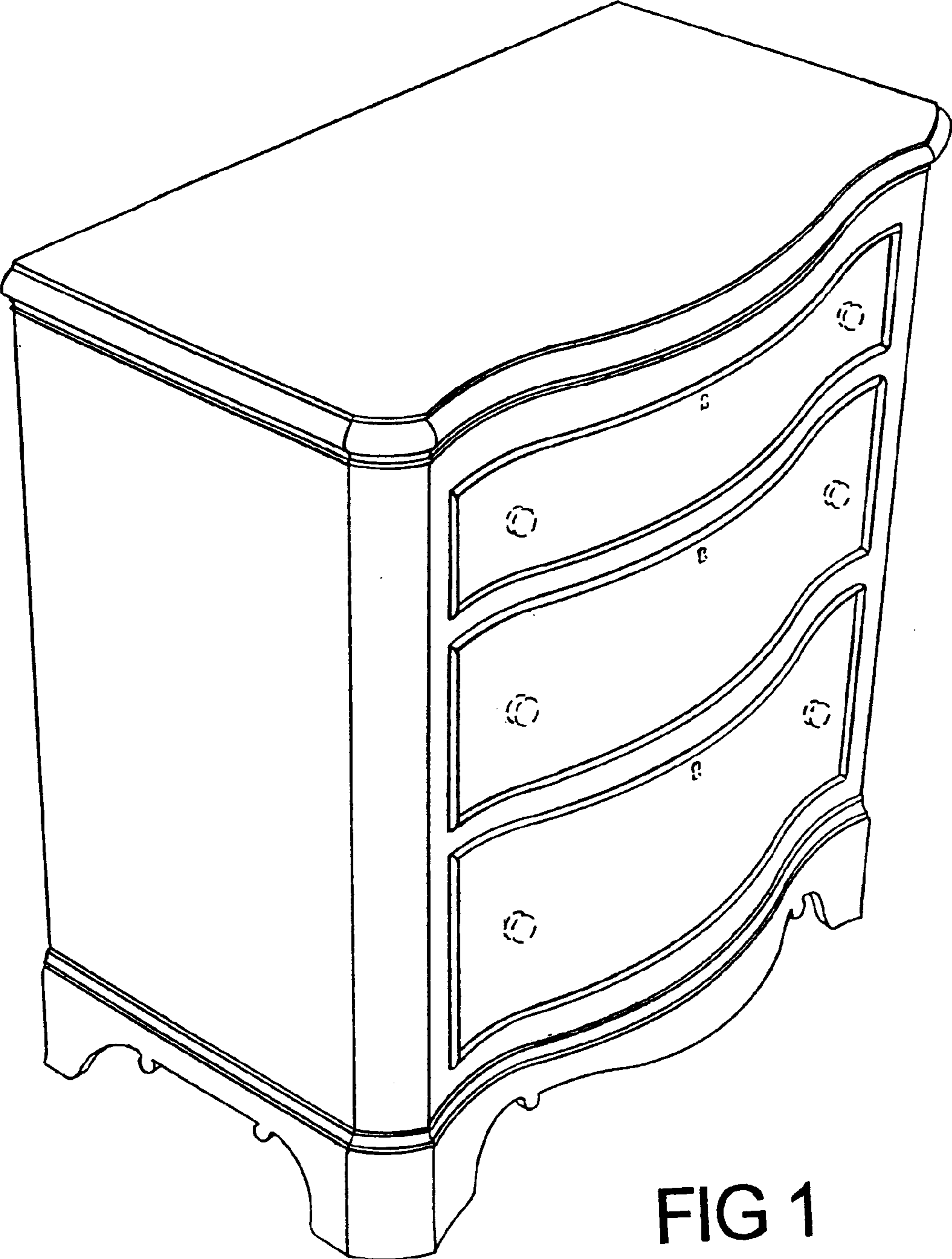


FIG 1

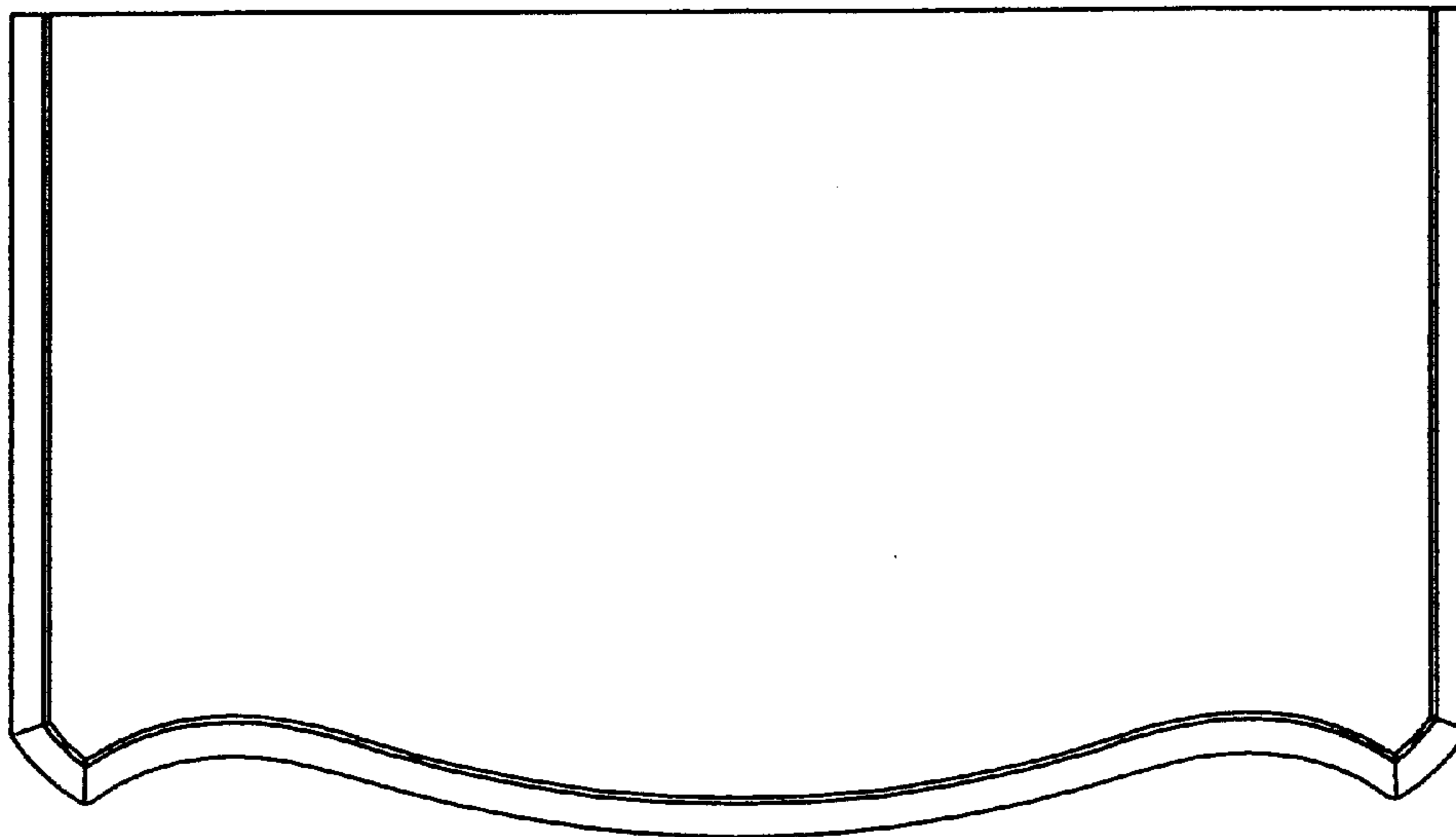


FIG 2

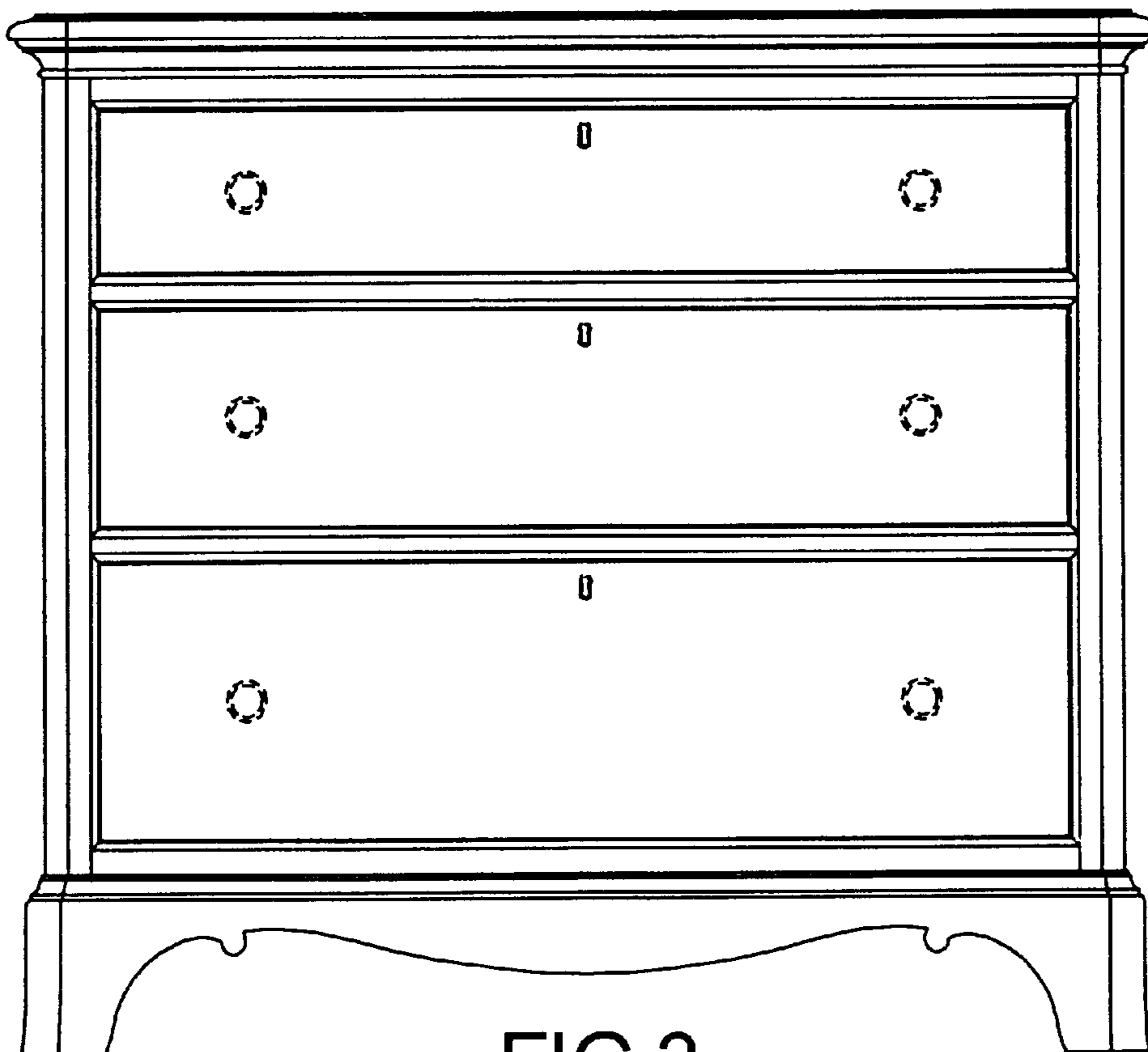


FIG 3

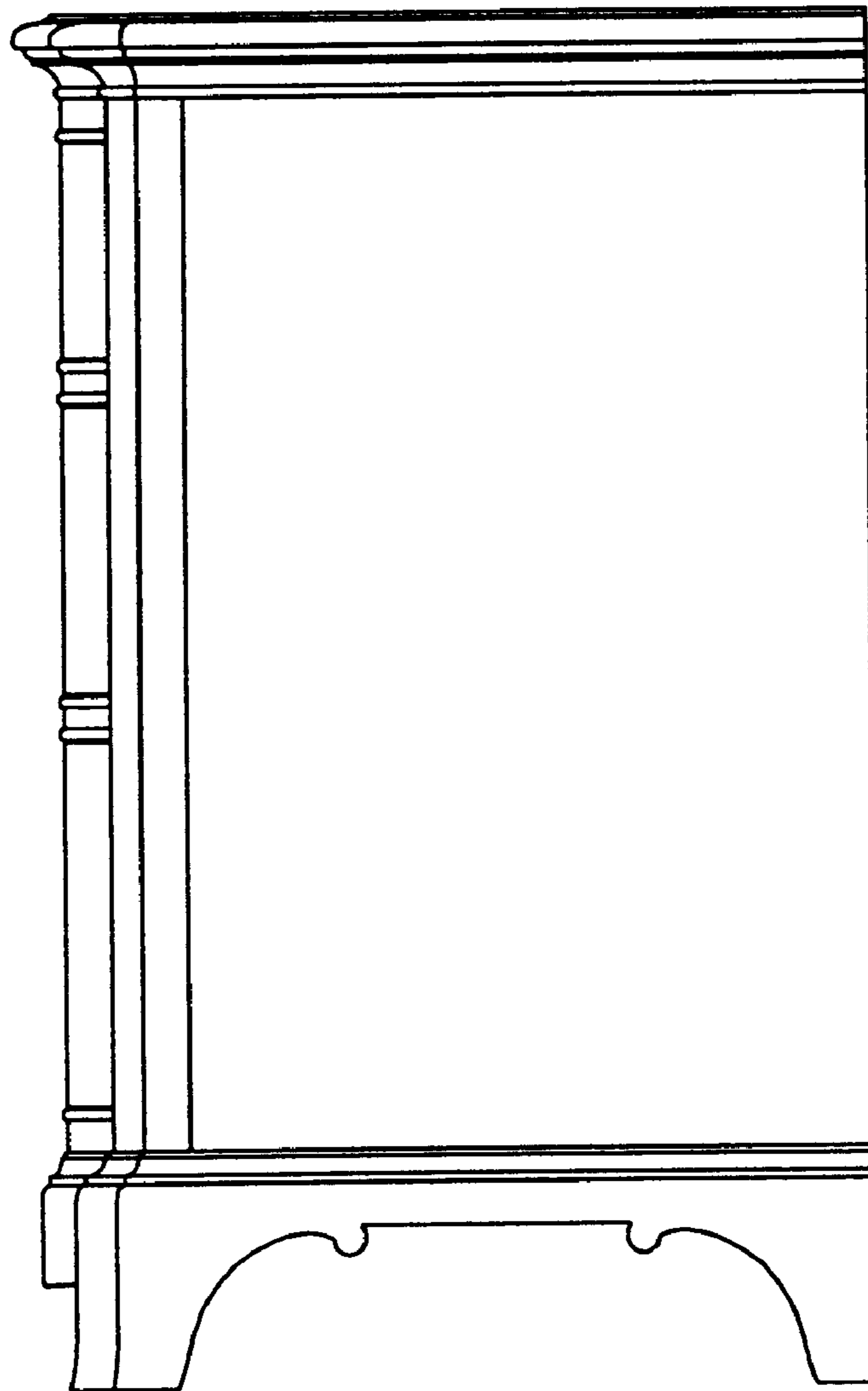


FIG 4

UNITED STATES PATENT AND TRADEMARK OFFICE
CERTIFICATE OF CORRECTION

PATENT NO. : Des. 507,430 S
APPLICATION NO. : 29/196056
DATED : July 19, 2005
INVENTOR(S) : Scott M. Risdon et al.

Page 1 of 1

It is certified that error appears in the above-identified patent and that said Letters Patent is hereby corrected as shown below:

Column, Title Page, before Description; Insert the following before the figure descriptions:

--This application is a division of co-pending Application No. 29/176,455, filed February 21, 2003 --.

Column Title Page, Description, Line 1; "3-drawer" should be -- three drawer --.

Column Title Page, Description, line 3, "3-drawer" should be -- three drawer --.

Column, Title Page, Description, line 4, "3-drawer" should be -- three drawer --.

Column, Title Page, Description, line 6, "3-drawer" should be -- three drawer --.

Column, Title Page, Description, line 7, "3-drawer" should be -- three drawer --.

Column, Title Page, Description line 9, "3-drawer" should be -- three drawer --.

Column, Title Page, Description line 12, "form s" should be -- forms --.

Signed and Sealed this

Twenty-sixth Day of June, 2007

A handwritten signature in black ink on a light gray dotted background. The signature reads "Jon W. Dudas" in a cursive style.

JON W. DUDAS

Director of the United States Patent and Trademark Office