

US00D507426S

(12) **United States Design Patent**
Reza-Hadden

(10) **Patent No.:** **US D507,426 S**
(45) **Date of Patent:** **** Jul. 19, 2005**

(54) **BENCH**

(75) **Inventor:** **Ana Maria Reza-Hadden**, San Rafael, CA (US)

(73) **Assignee:** **Landscape Forms, Inc.**, Kalamazoo, MI (US)

(**) **Term:** **14 Years**

(21) **Appl. No.:** **29/211,857**

(22) **Filed:** **Aug. 23, 2004**

(51) **LOC (8) Cl.** **06-01**

(52) **U.S. Cl.** **D6/381**

(58) **Field of Search** D6/334-335, 349-353,
D6/371, 373-374, 381, 500-502; 297/232,
445.1, 446.1

(56) **References Cited**

U.S. PATENT DOCUMENTS

D229,591 S	*	12/1973	Trail et al.	D6/370
D361,442 S	*	8/1995	Lewis	D6/381
D366,775 S	*	2/1996	Kane	D6/370
D424,315 S	*	5/2000	Jeng	D6/370
D474,618 S	*	5/2003	Arnold et al.	D6/370

OTHER PUBLICATIONS

Hyde Park metal road seat. Landscape Forms Inc. 1995 catalog. p. 14.*

“Hyde Park”, Landscape Forms, Sweets Catalog 2004, 4 pages.

“Hyde Park”, Landscape Forms, Sweets Catalog 2004, 4 pages.

* cited by examiner

Primary Examiner—Joel A. Sincavage

Assistant Examiner—Vy Nguyen

(74) *Attorney, Agent, or Firm*—Jeff Rothenberg, Esq.; Heslin Rothenberg Farley & Mesiti

(57) **CLAIM**

The ornamental design for a bench, as shown and described.

DESCRIPTION

FIG. 1 is an isometric view of the bench of the present design;

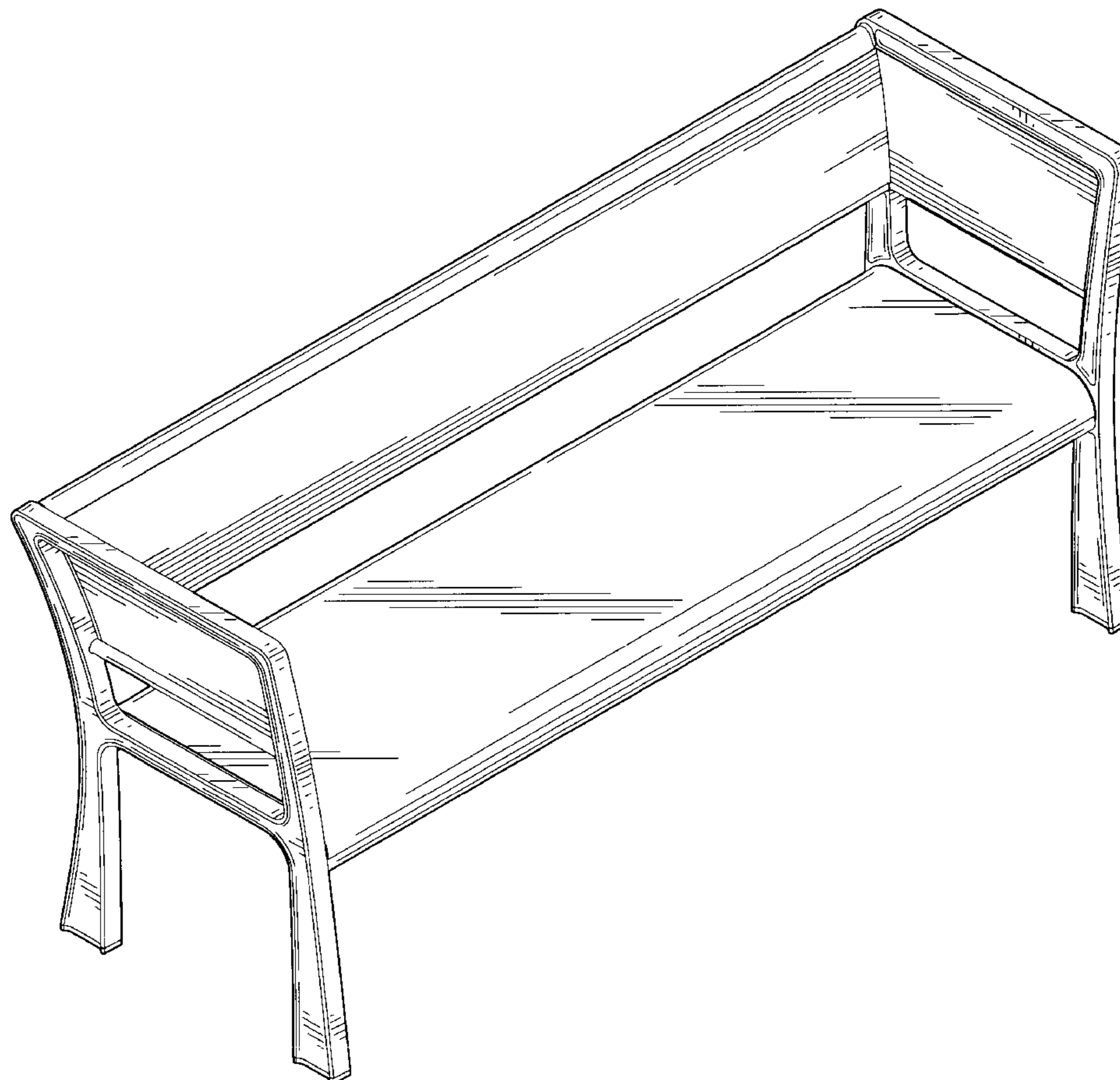
FIG. 2 is a front elevation view thereof;

FIG. 3 is a right side elevational view, the left side elevational view being a mirror image thereof;

FIG. 4 is a rear elevational view thereof; and,

FIG. 5 is a top plan view thereof.

1 Claim, 5 Drawing Sheets



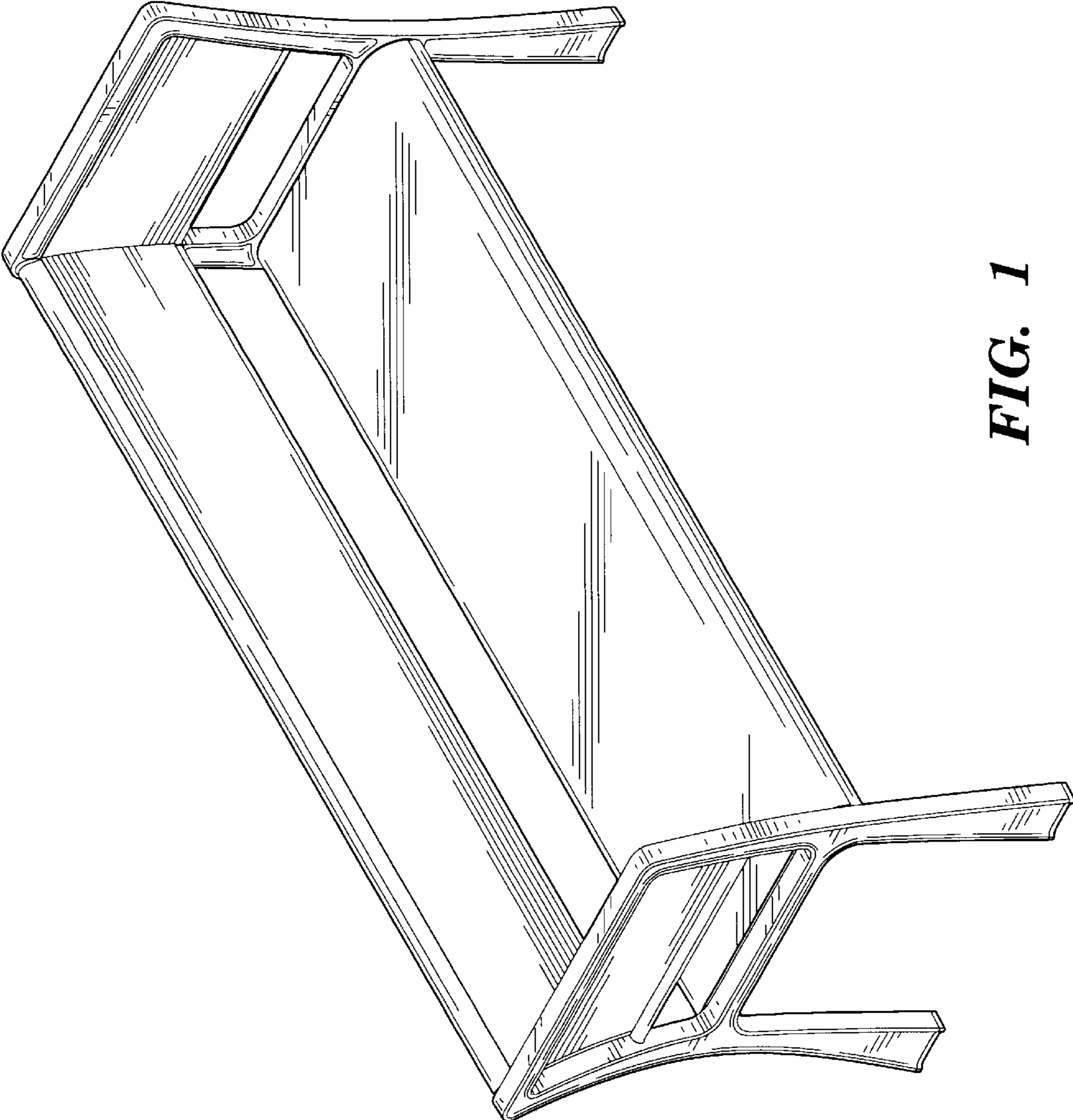


FIG. 1

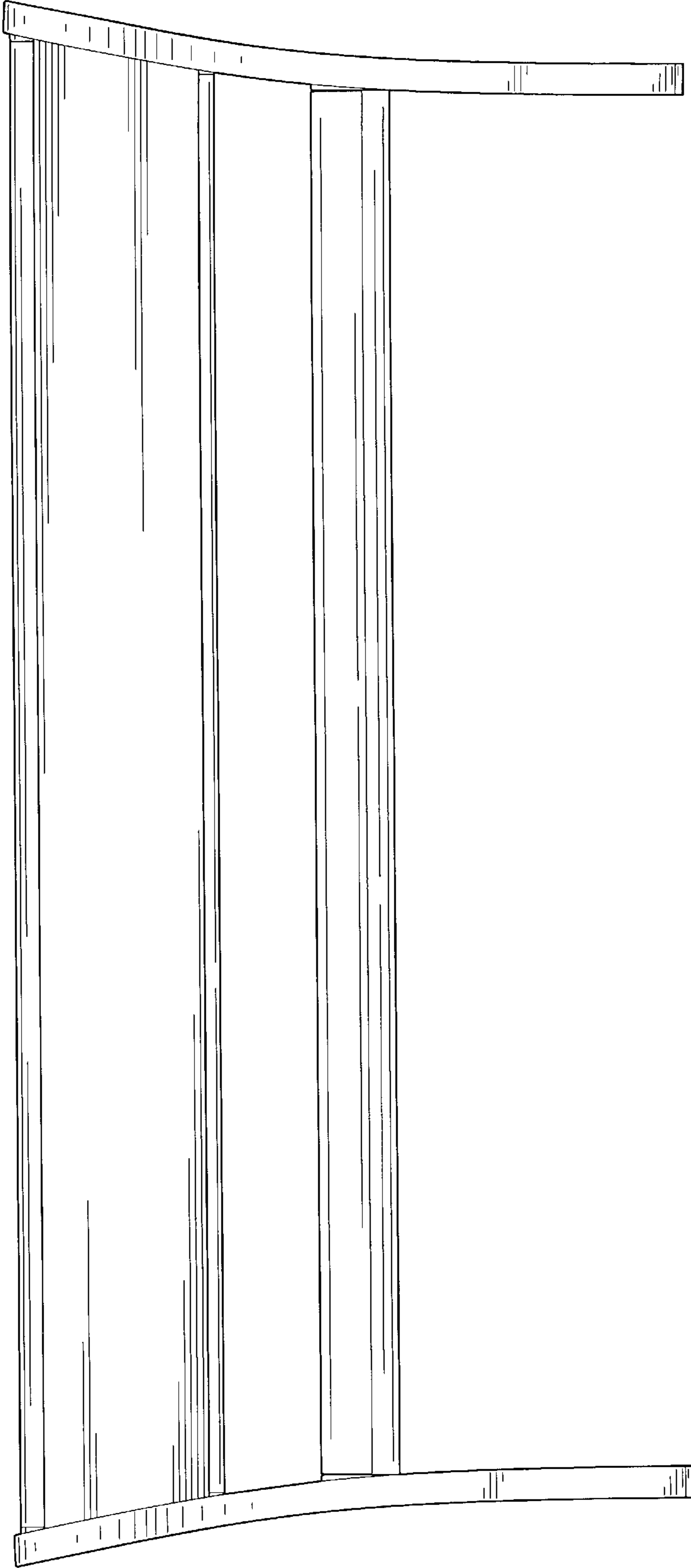


FIG. 2

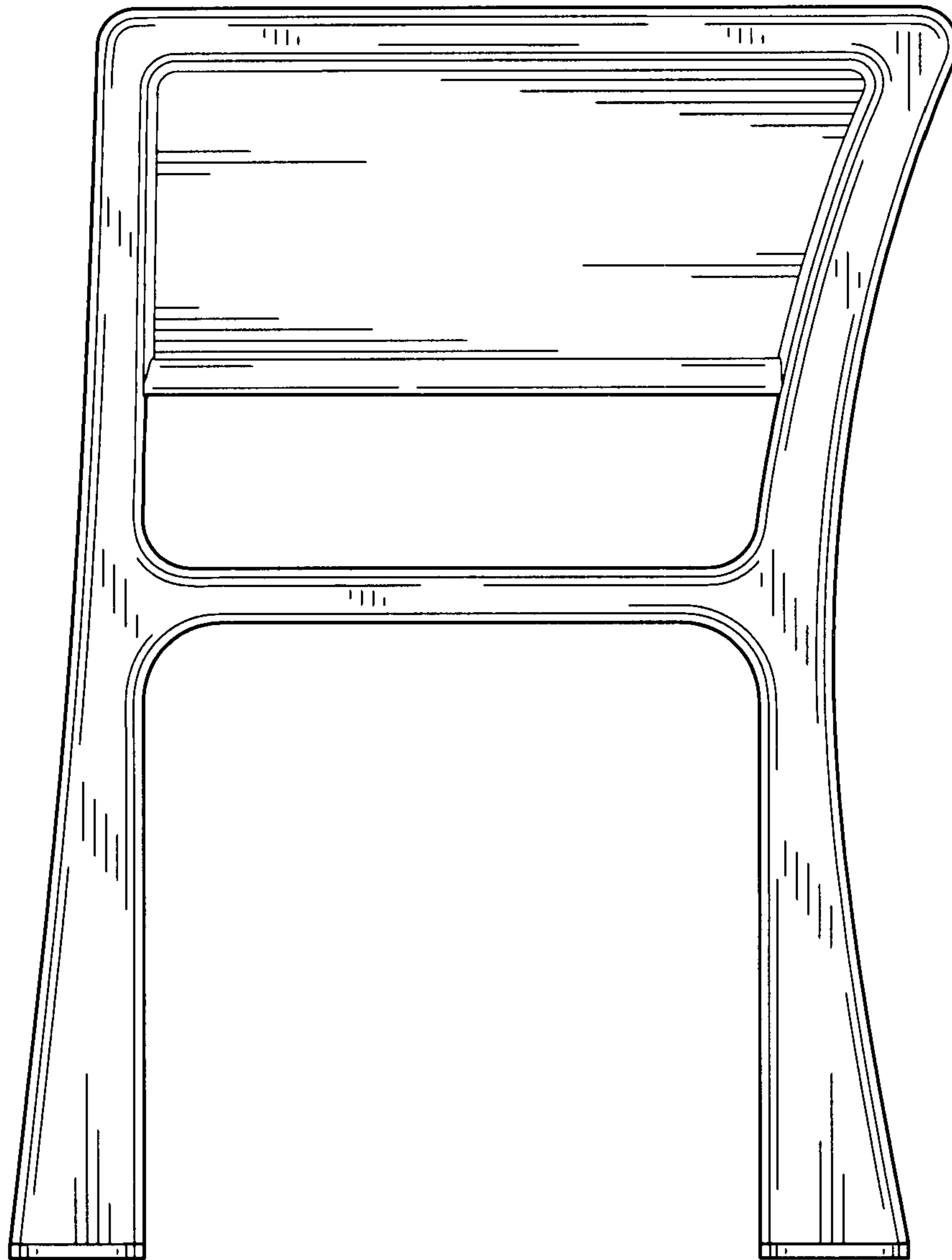


FIG. 3

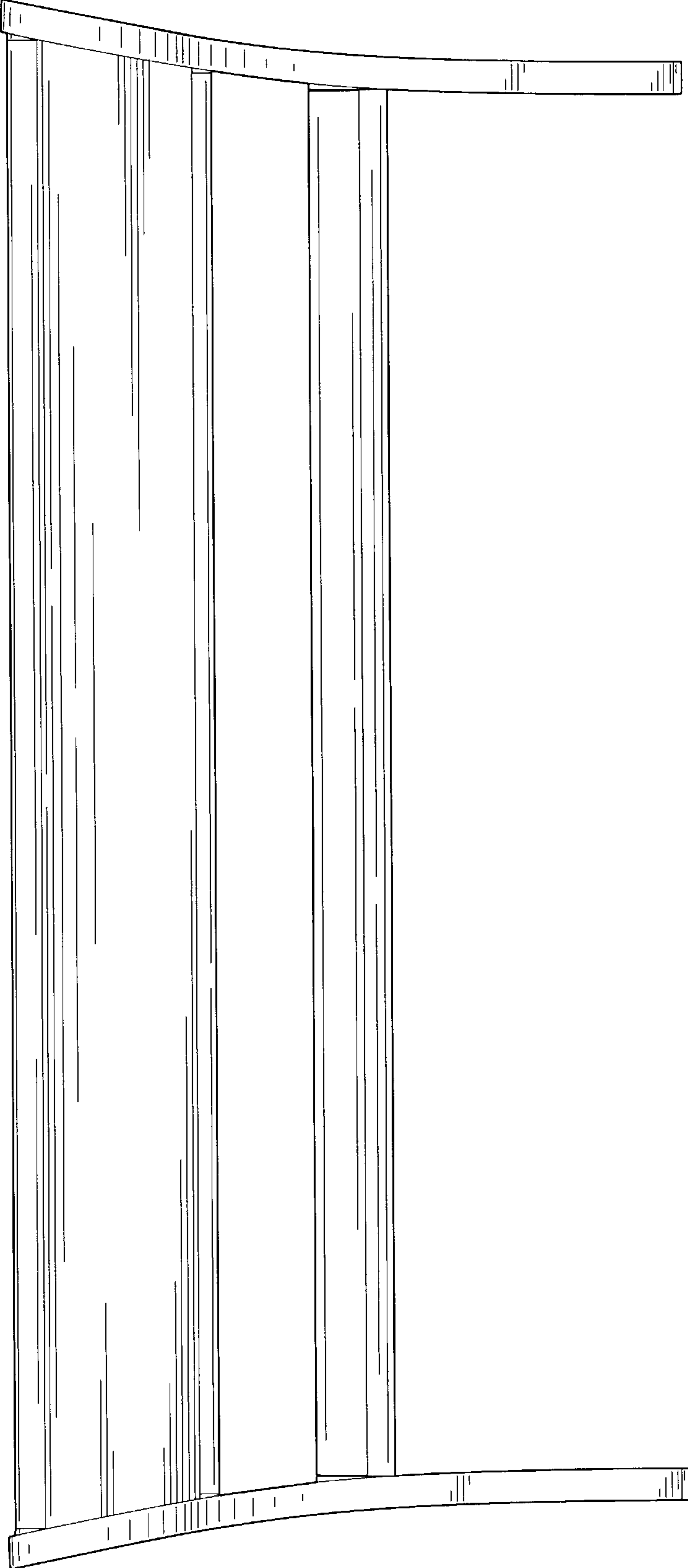


FIG. 4

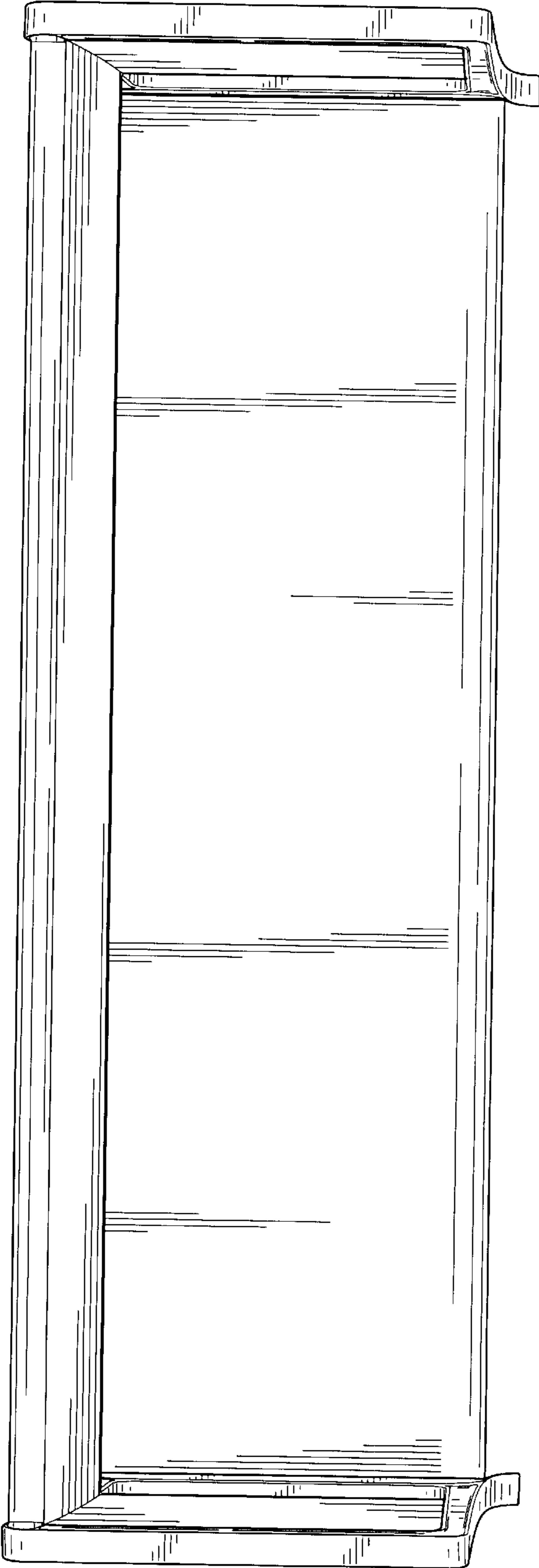


FIG. 5