



US00D507422S

(12) **United States Design Patent**
Seiler

(10) **Patent No.:** **US D507,422 S**
(45) **Date of Patent:** **** Jul. 19, 2005**

(54) **OFFICE SWIVEL CHAIR**

(75) Inventor: **Mathias Seiler**, Loerrach (DE)

(73) Assignee: **Sedus Stoll AG**, Waldshut-Tiengen (DE)

(**) Term: **14 Years**

(21) Appl. No.: **29/186,605**

(22) Filed: **Jul. 21, 2003**

(30) **Foreign Application Priority Data**

Jan. 21, 2003 (DE) 403 00 429

(51) **LOC (8) Cl.** **06-01**

(52) **U.S. Cl.** **D6/366**

(58) **Field of Search** D6/334, 364, 365,
D6/366, 367, 380, 498, 500-502; 297/411.2,
411.27, 452.21, 452.29, 452.35

(56) **References Cited**

U.S. PATENT DOCUMENTS

D196,574 S * 10/1963 Sundberg et al. D6/366

D205,707 S	*	9/1966	Cowen, Jr.	D6/366
D234,382 S	*	2/1975	Tacke	D6/366
D257,473 S	*	11/1980	Wilson	D6/360
D289,236 S	*	4/1987	Brauning	D6/366
D291,631 S	*	9/1987	de Boer	D6/366
D295,701 S	*	5/1988	de Boer	D6/366
D315,066 S	*	3/1991	Adams et al.	D6/366
D361,214 S	*	8/1995	Klein	D6/366

* cited by examiner

Primary Examiner—Mimosa De

(74) *Attorney, Agent, or Firm*—Oblon, Spivak, McClelland, Maier & Neustadt, P.C.

(57) **CLAIM**

The ornamental design for an office swivel chair, as shown.

DESCRIPTION

FIG. 1 is a right side elevational view of an office swivel chair, showing my design; and,

FIG. 2 is a rear elevational view thereof.

1 Claim, 2 Drawing Sheets

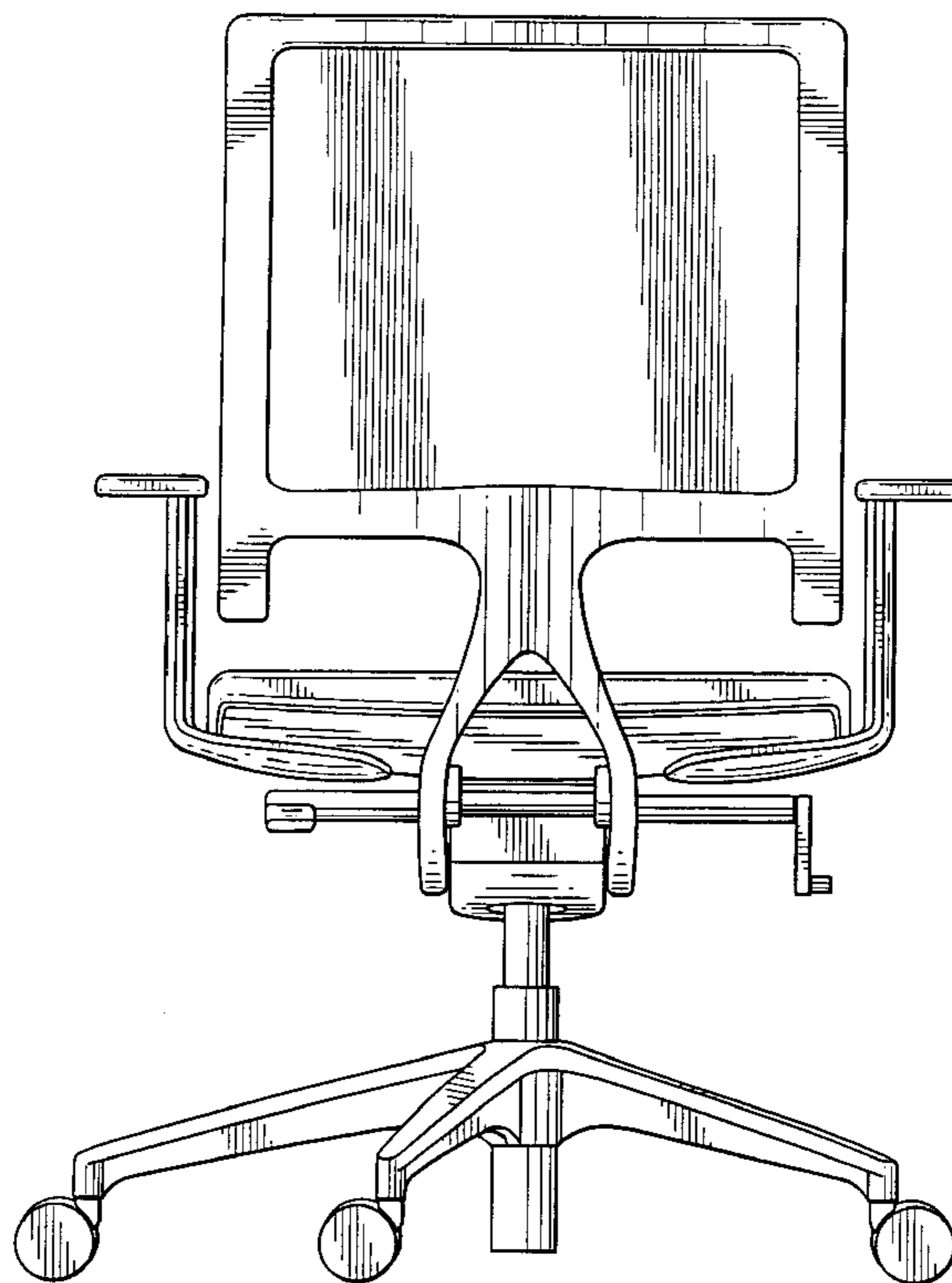
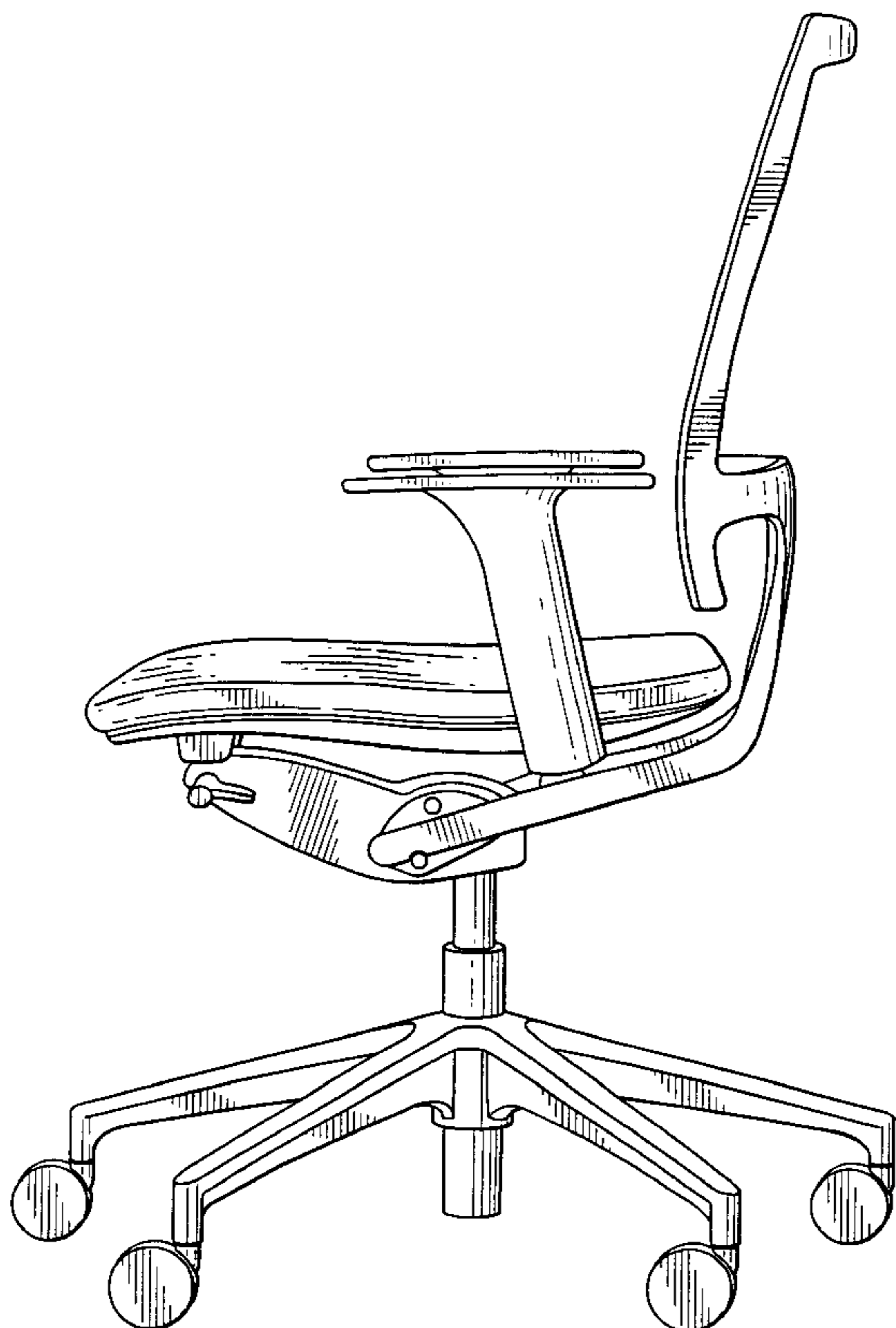




FIG. 1

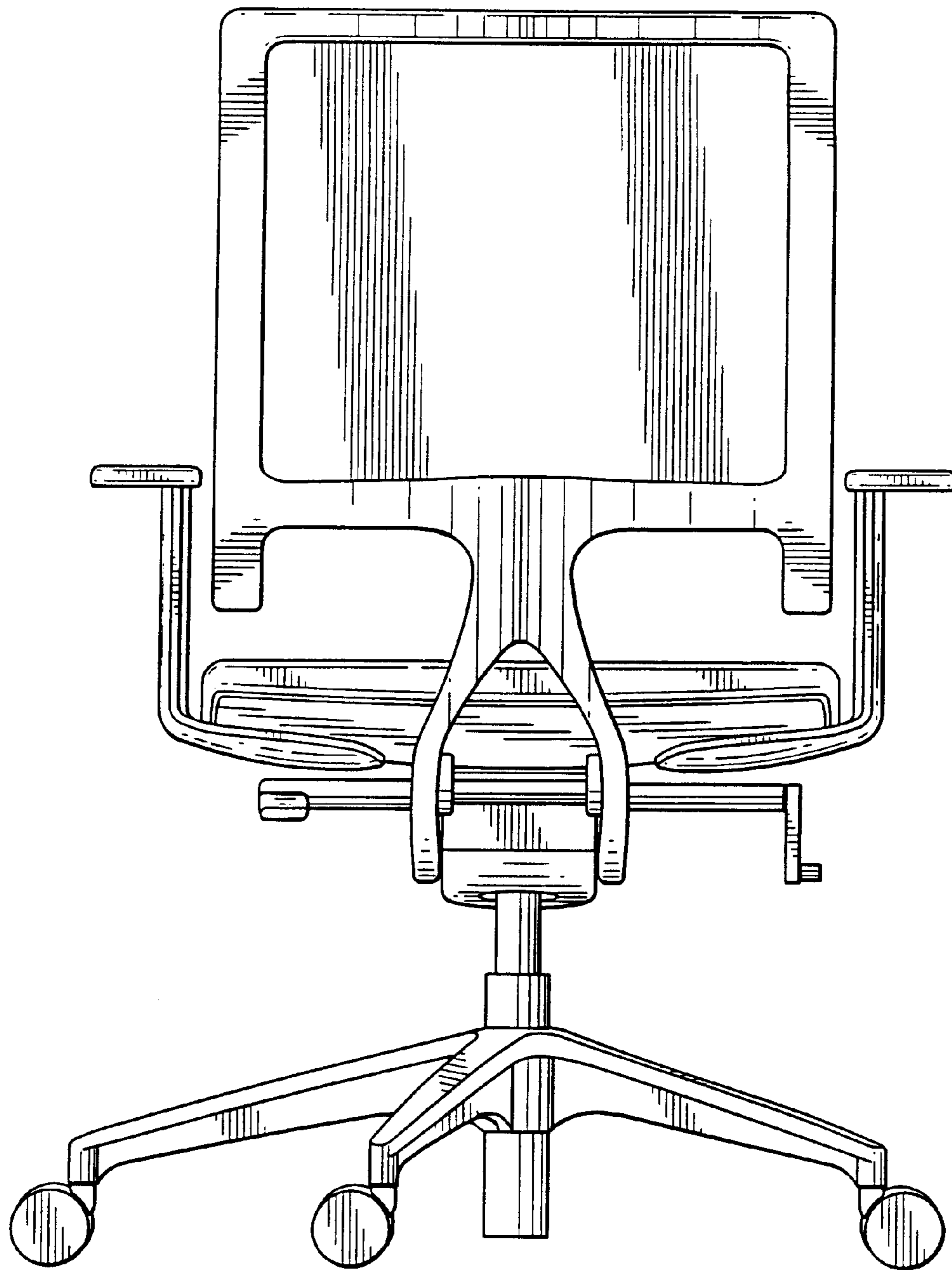


FIG. 2