



US00D507421S

(12) **United States Design Patent**  
**Lawson**

(10) **Patent No.:** **US D507,421 S**  
(45) **Date of Patent:** **\*\* Jul. 19, 2005**

(54) **BICYCLE SEAT**

(75) **Inventor:** **Donald Garth Lawson, Durban (ZA)**

(73) **Assignee:** **Supaseat Holdings Limited, St. Helier (GB)**

(\*\*) **Term:** **14 Years**

(21) **Appl. No.:** **29/165,075**

(22) **Filed:** **Aug. 6, 2002**

(51) **LOC (8) Cl. .... 06-01**

(52) **U.S. Cl. .... D6/354**

(58) **Field of Search ..... D6/354; D12/111;**  
**297/195.1, 196-215.16**

(56) **References Cited**

**U.S. PATENT DOCUMENTS**

D315,646 S \* 3/1991 Hood ..... D6/354  
D326,782 S \* 6/1992 Scarcella ..... D6/354

\* cited by examiner

*Primary Examiner*—Alan P. Douglas

*Assistant Examiner*—Linda Brooks

(74) *Attorney, Agent, or Firm*—Young & Thompson

(57) **CLAIM**

The ornamental design for a bicycle seat, as shown and described.

**DESCRIPTION**

FIG. 1 is a top, front and side perspective view of a bicycle seat showing my new design;

FIG. 2 is a front elevational view thereof;

FIG. 3 is a top plan view thereof;

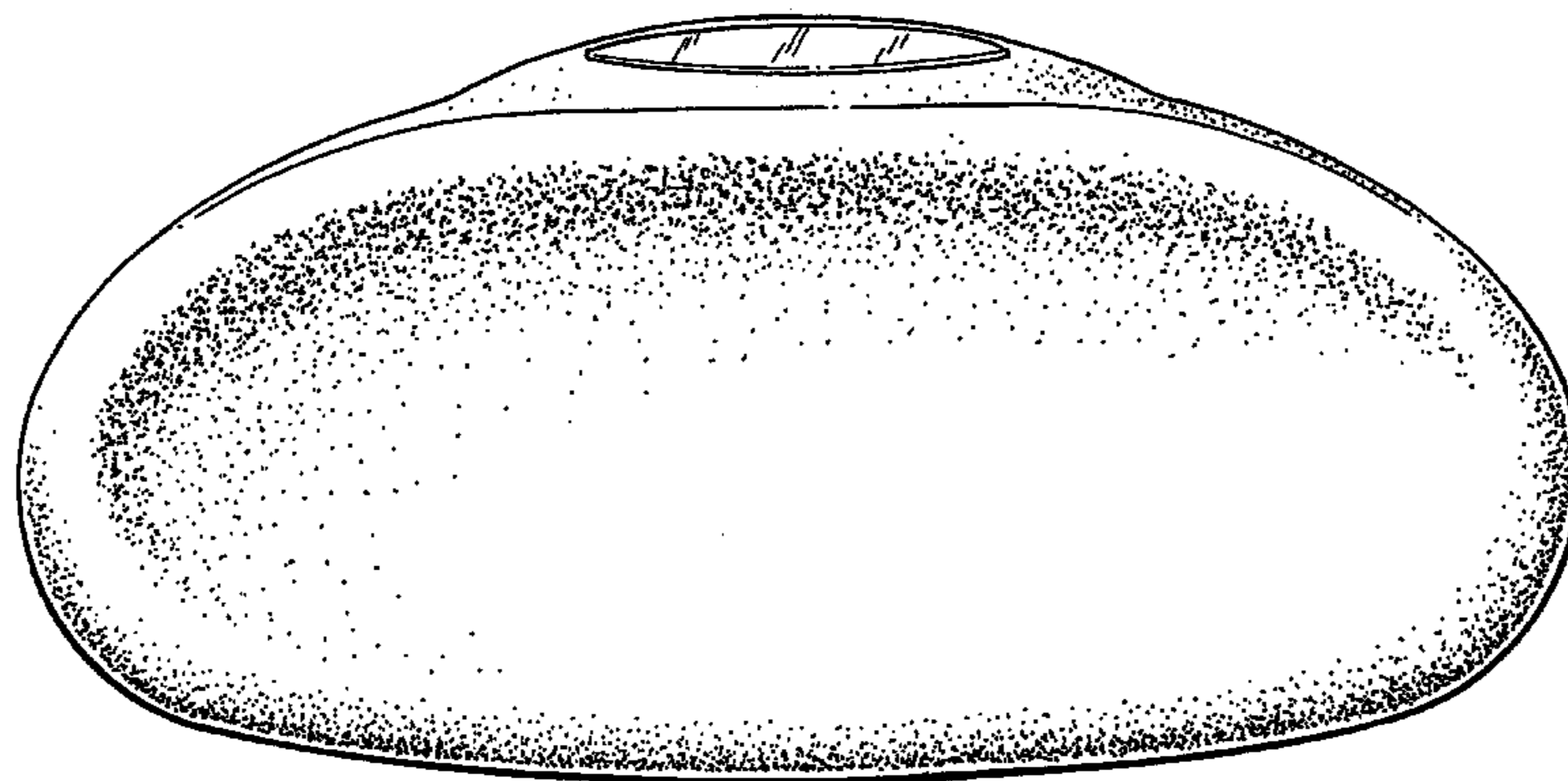
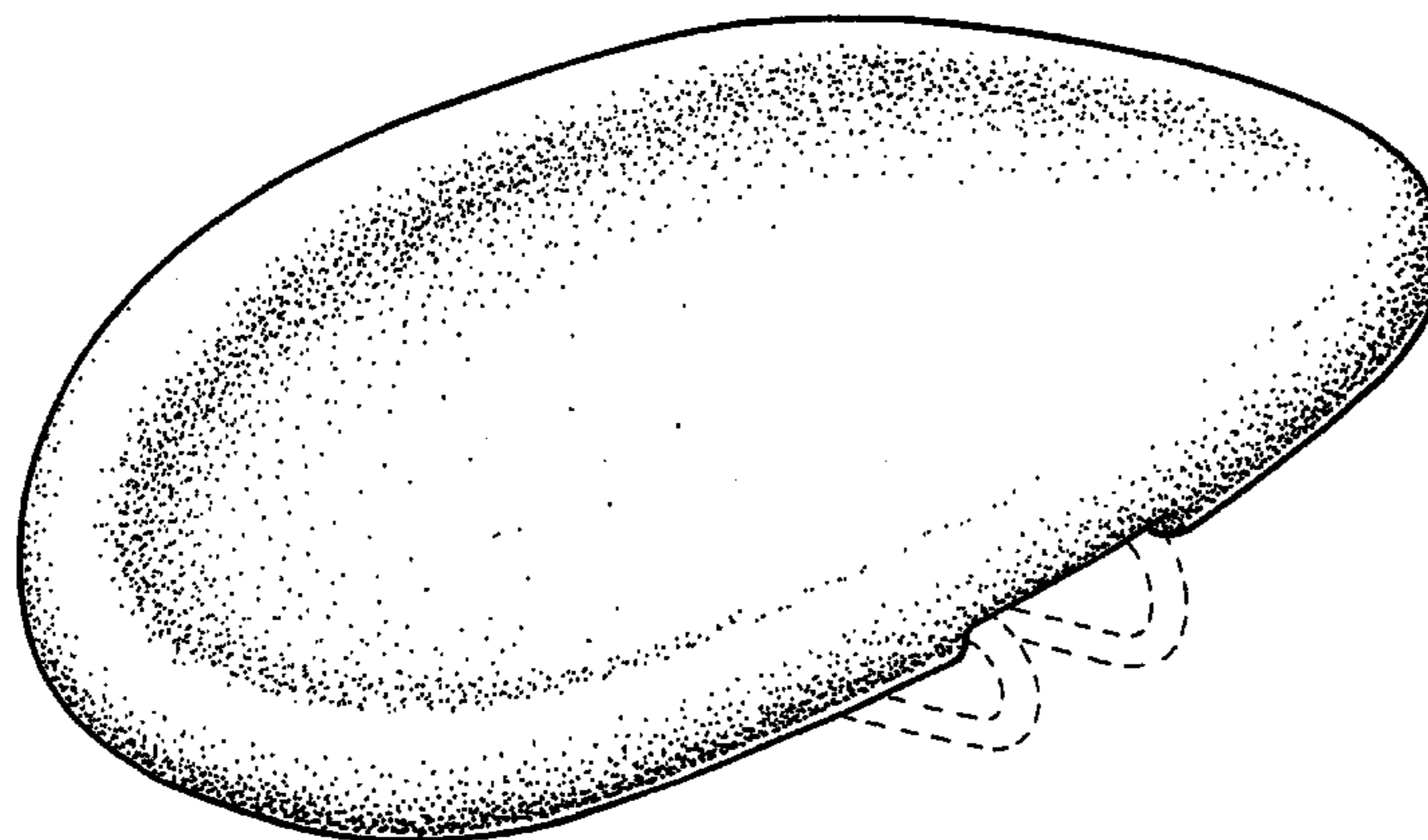
FIG. 4 is a bottom plan view thereof;

FIG. 5 is a rear elevational view thereof; and,

FIG. 6 is a side elevational view thereof from the left of FIG. 2, the side opposite that shown in FIG. 6 being the mirror image thereof.

The structure shown in phantom lines is for purposes of indicating the environment only and is not claimed.

**1 Claim, 6 Drawing Sheets**



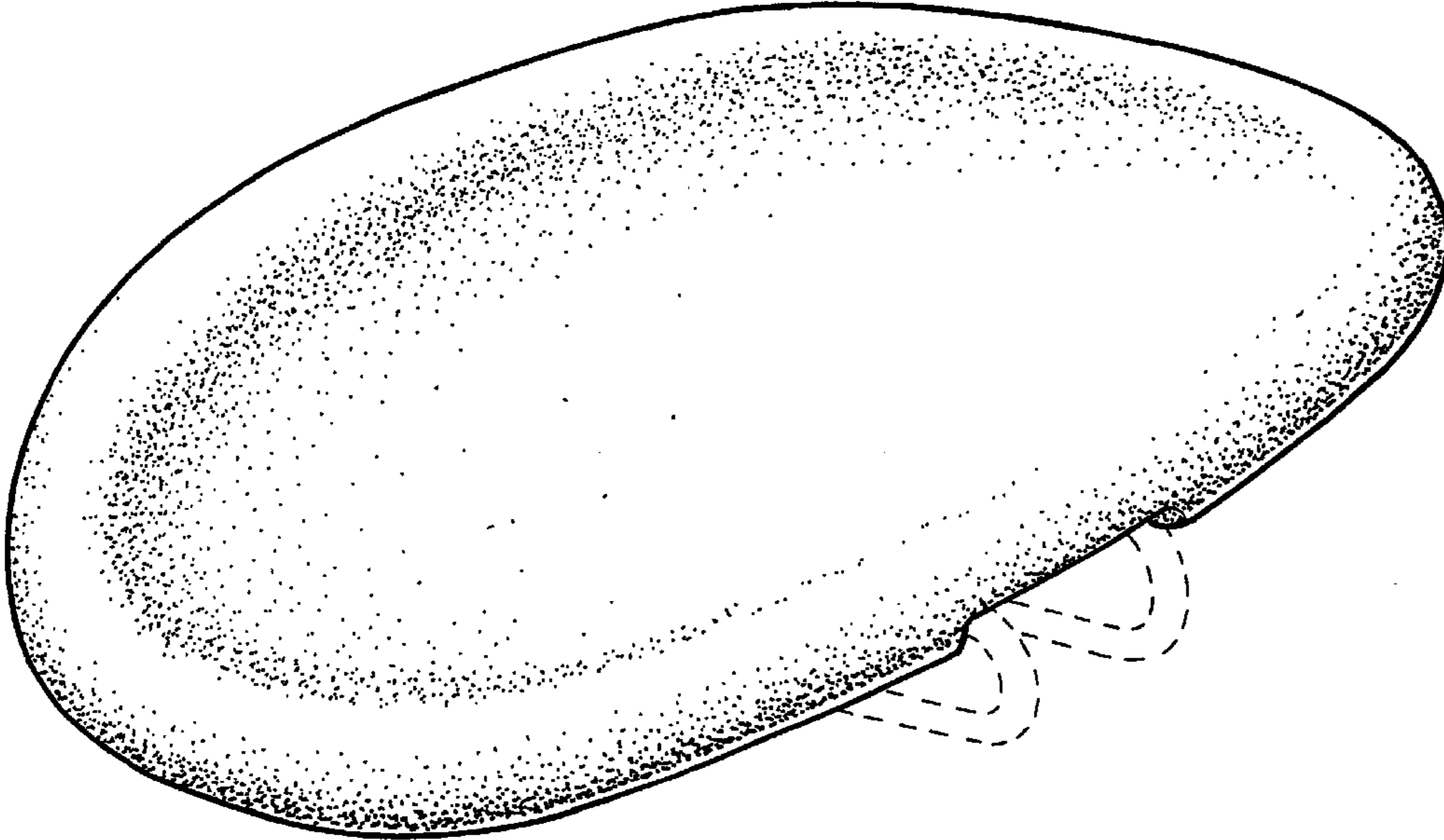


FIG. 1

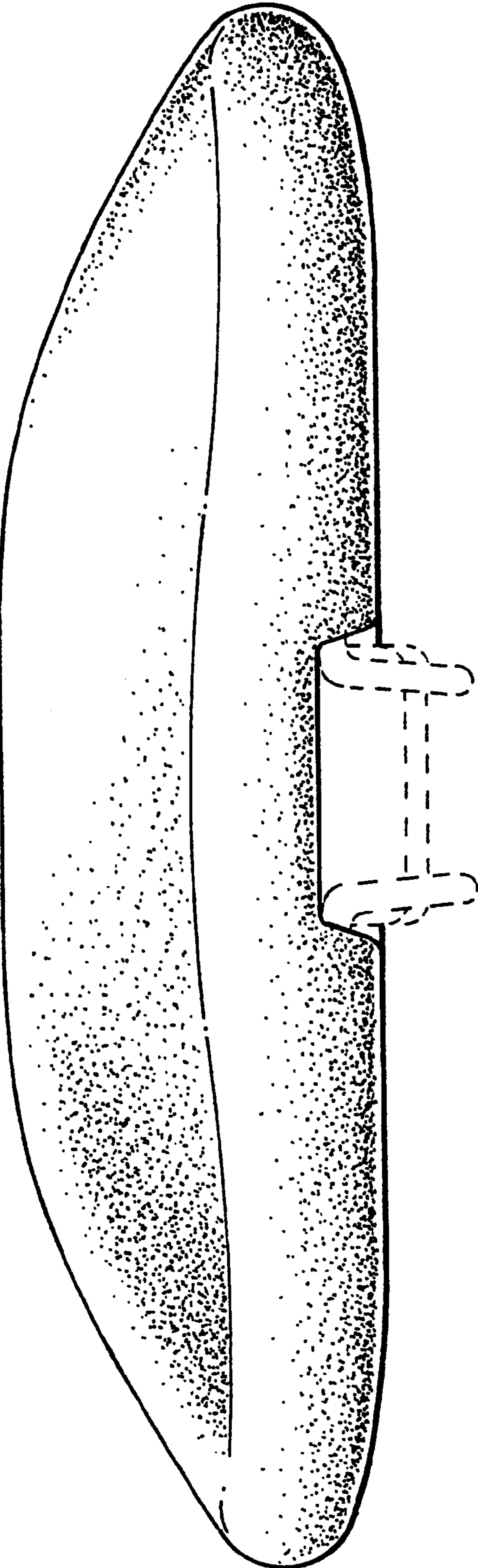


FIG. 2

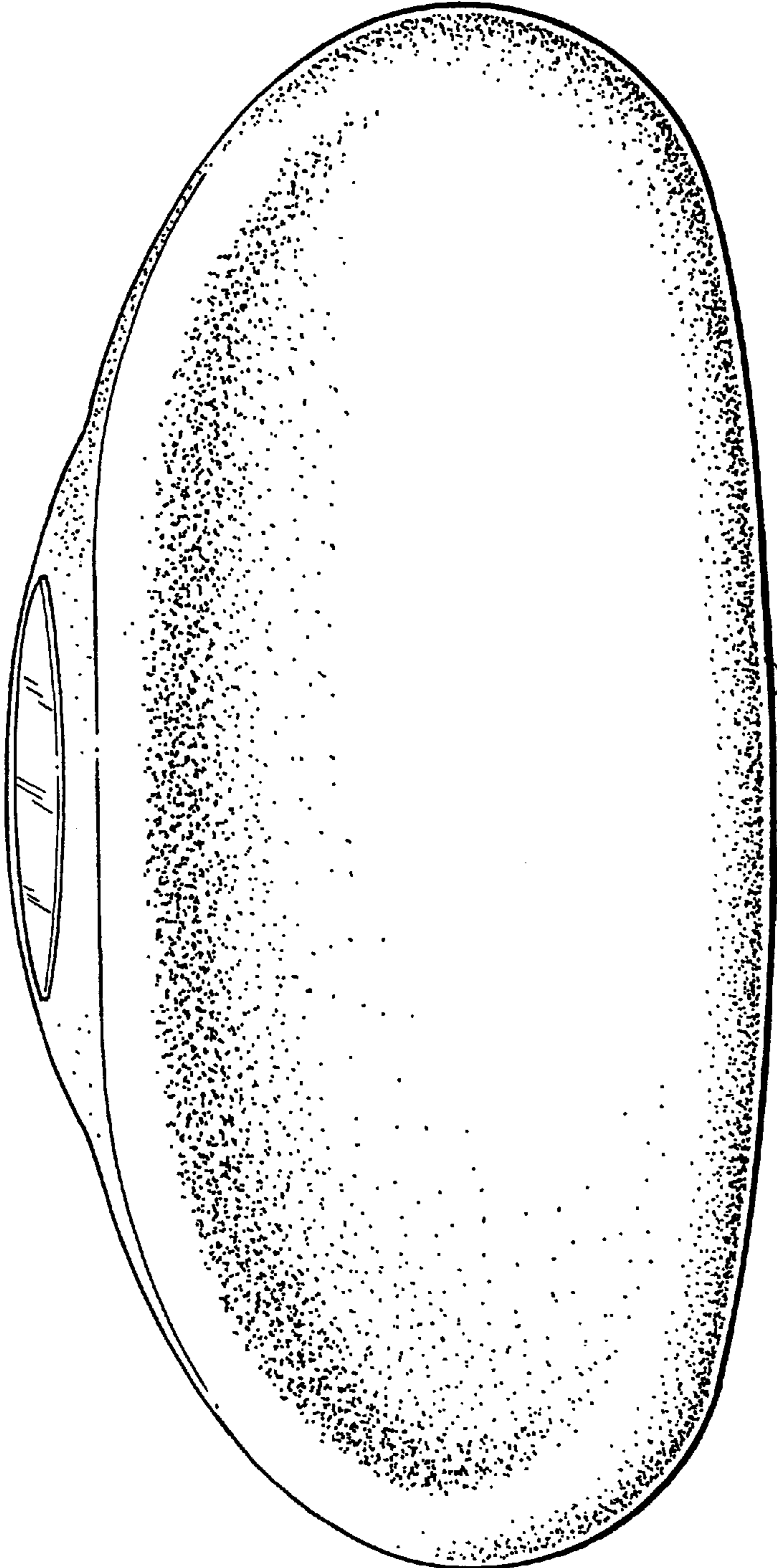


FIG. 3

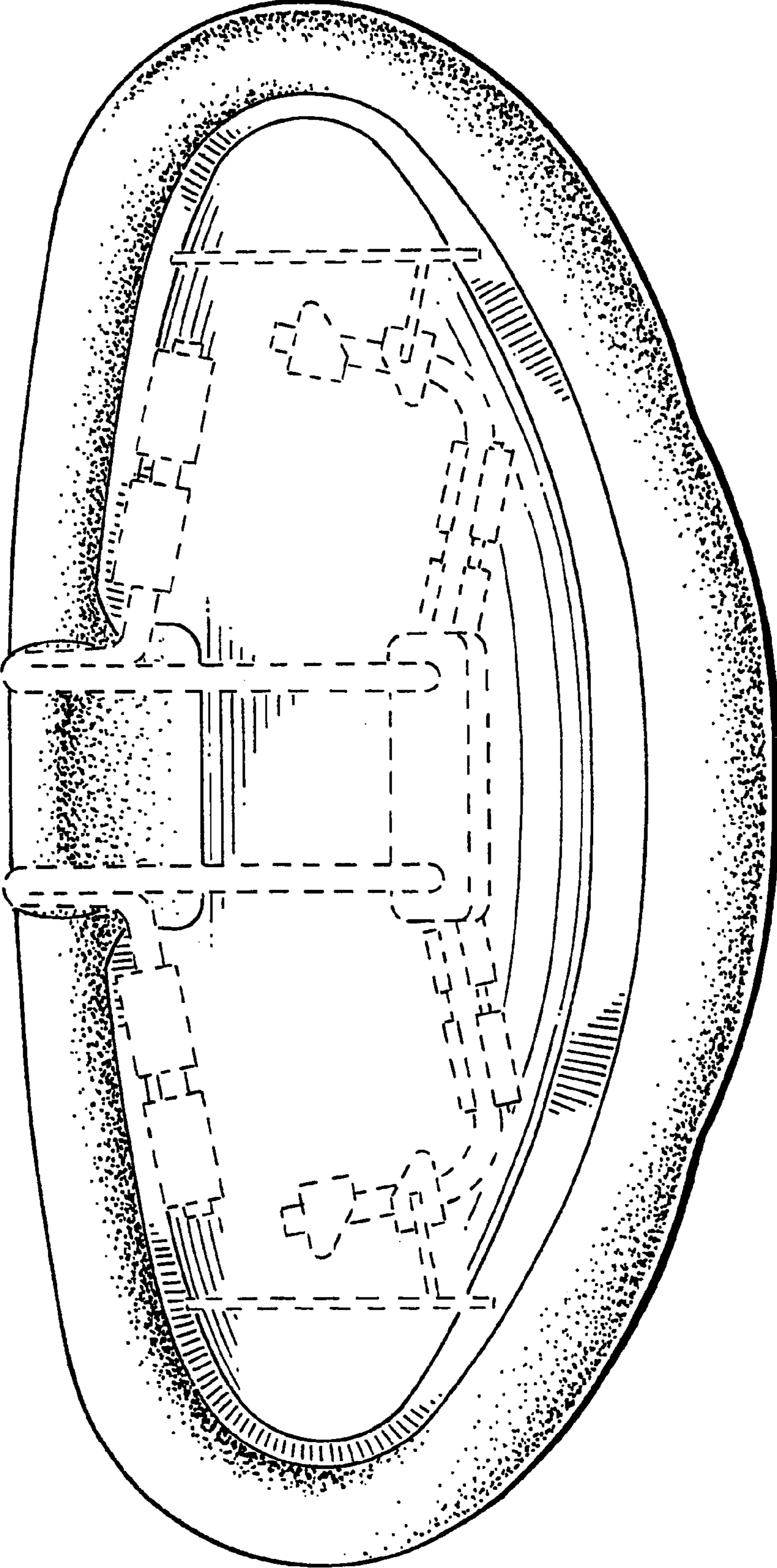


FIG. 4

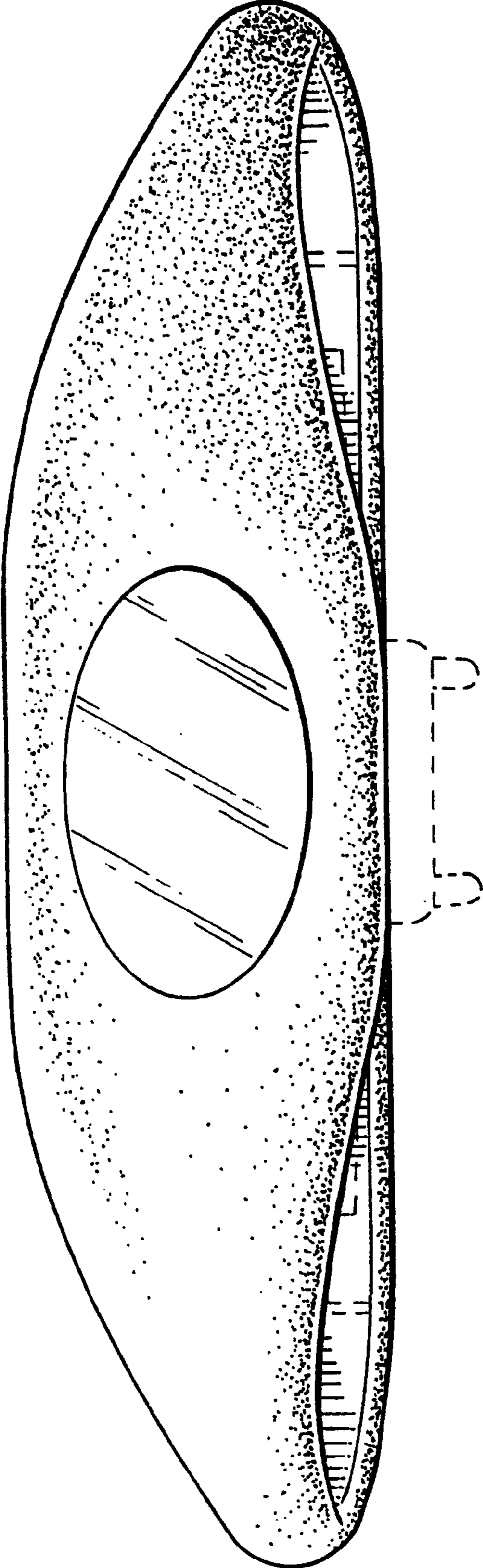


FIG. 5

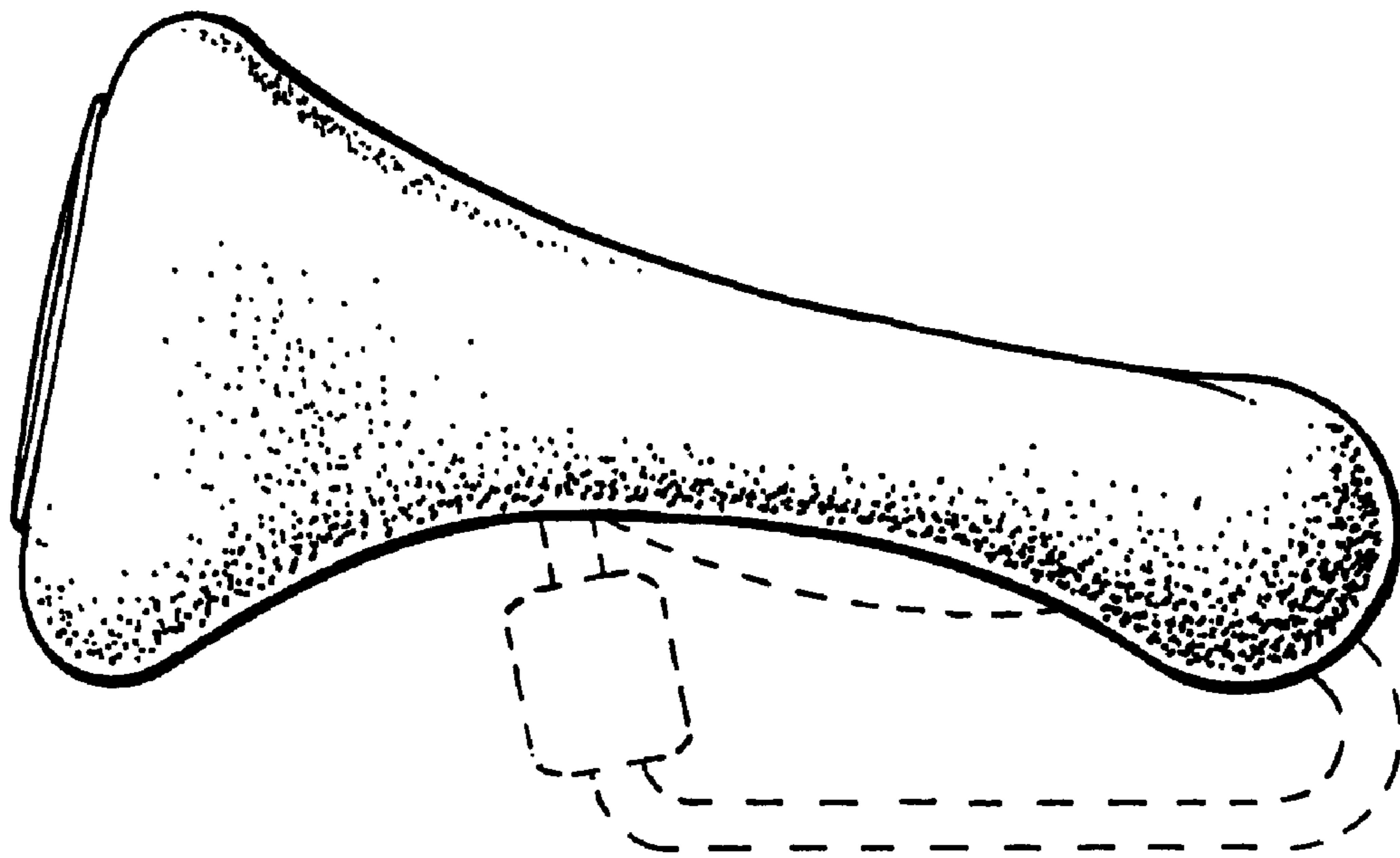


FIG. 6