

US00D507420S

(12) **United States Design Patent**
Reza-Hadden

(10) **Patent No.:** **US D507,420 S**
(45) **Date of Patent:** **** Jul. 19, 2005**

(54) **BENCH**

(75) **Inventor:** **Ana Maria Reza-Hadden**, San Rafael, CA (US)

(73) **Assignee:** **Landscape Forms, Inc.**, Kalamazoo, MI (US)

(**) **Term:** **14 Years**

(21) **Appl. No.:** **29/211,829**

(22) **Filed:** **Aug. 23, 2004**

(51) **LOC (8) Cl.** **06-01**

(52) **U.S. Cl.** **D6/349**

(58) **Field of Search** D6/334-335, 349-355,
D6/370-373, 381, 500-502; 297/232, 445.1,
446.1

(56) **References Cited**

U.S. PATENT DOCUMENTS

D344,857 S	*	3/1994	Kinsman	D6/349
D392,821 S	*	3/1998	Yurk	D6/500
D483,960 S	*	12/2003	Chipman	D6/370

OTHER PUBLICATIONS

Rib Pattern Bench—CR8677. Wabash Valley 1998 “Plastisol” Coated Furniture Catalog. p. 57.*

“Northwest Series”, Hunt Co., Sweets Catalog 2004, Division 02870, 1 page.

* cited by examiner

Primary Examiner—Robert M. Spear

Assistant Examiner—Vy Nguyen

(74) *Attorney, Agent, or Firm*—Heslin Rothenberg Farley & Mesiti P.C.

(57) **CLAIM**

The ornamental design for a bench, as shown and described.

DESCRIPTION

FIG. 1 is an isometric view of the bench of the present design;

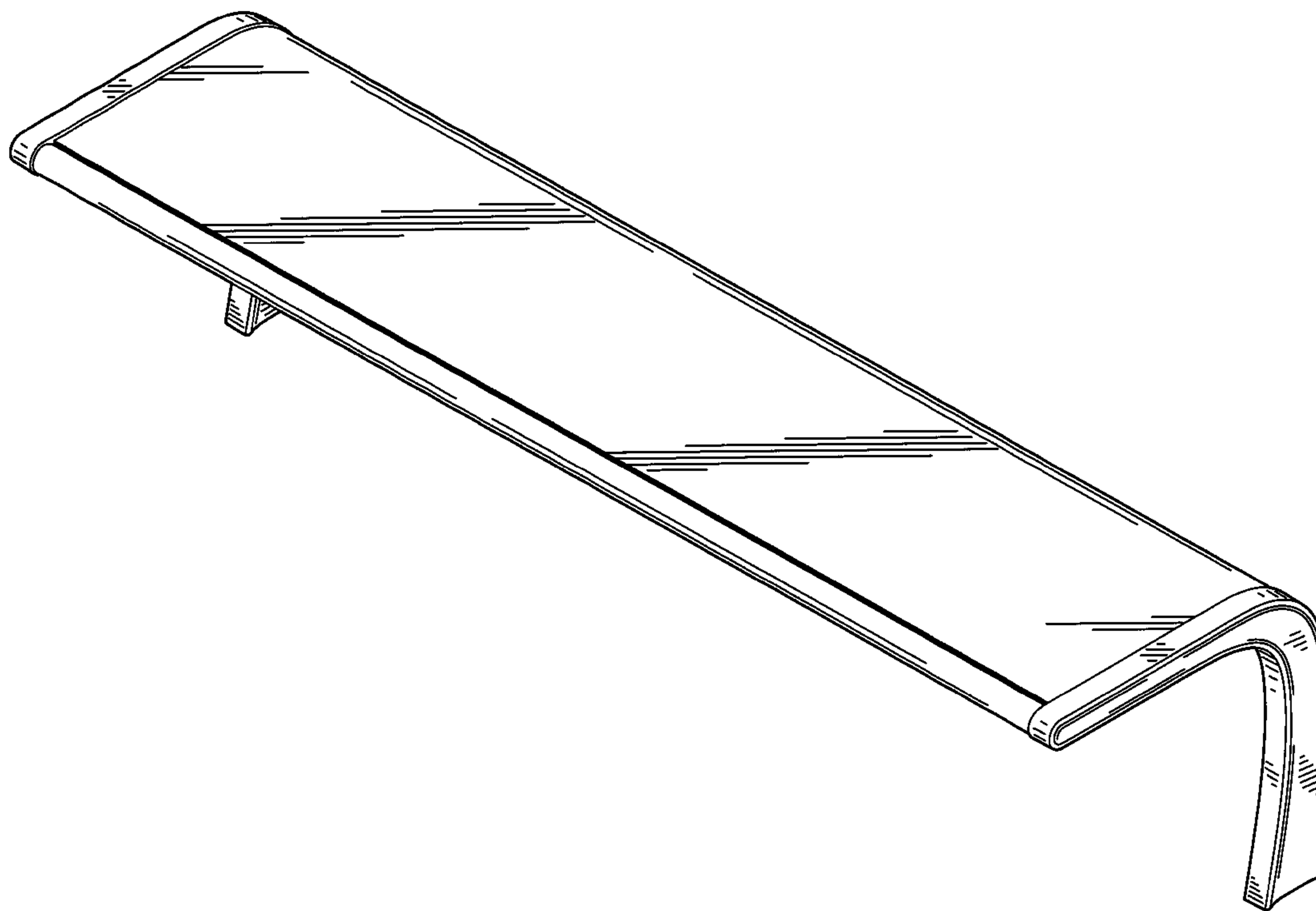
FIG. 2 is a top plan view thereof;

FIG. 3 is a front elevation view thereof;

FIG. 4 is a right side elevation view thereof, the left side elevation view being a mirror image thereof; and,

FIG. 5 is a rear elevation view thereof.

1 Claim, 5 Drawing Sheets



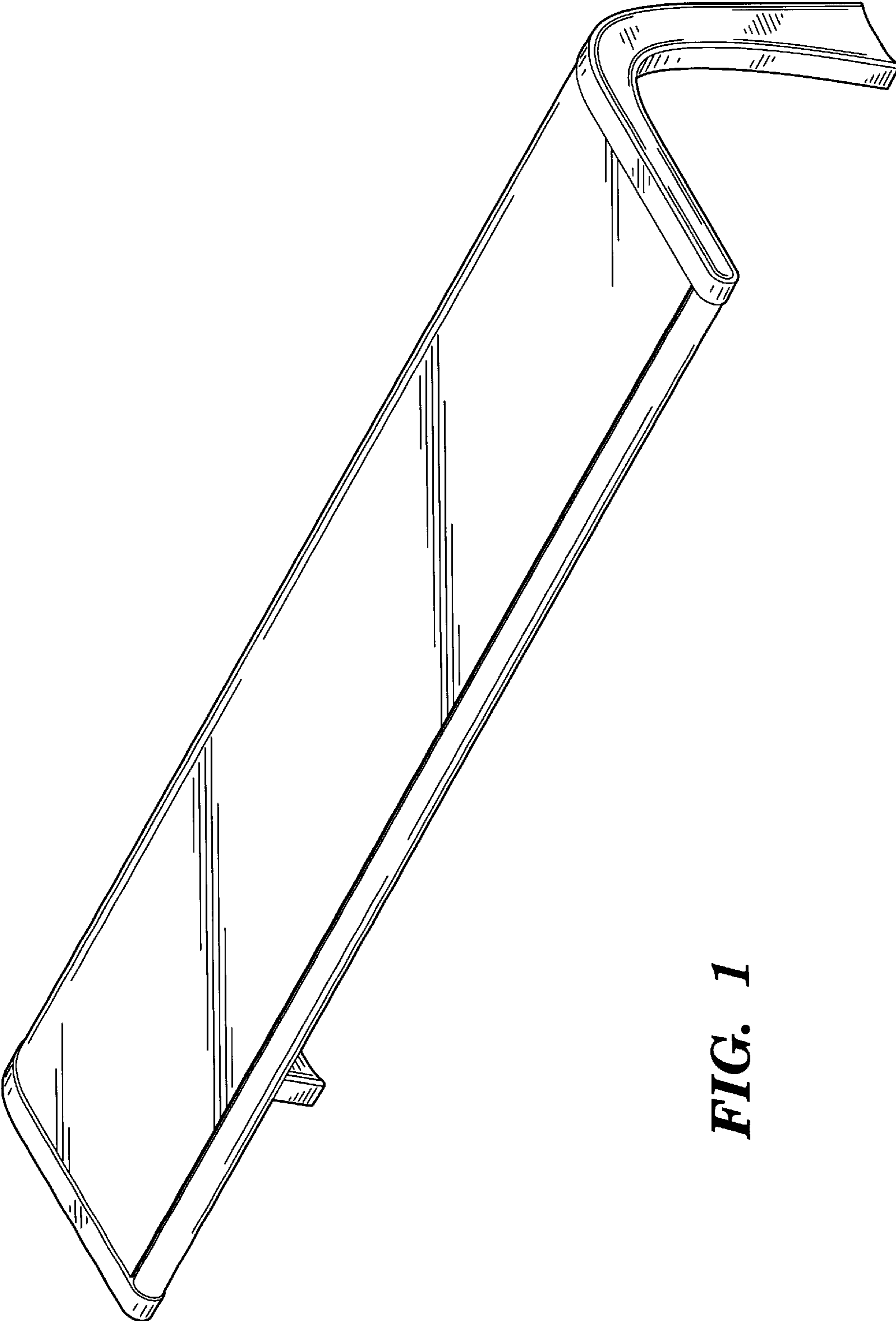


FIG. 1

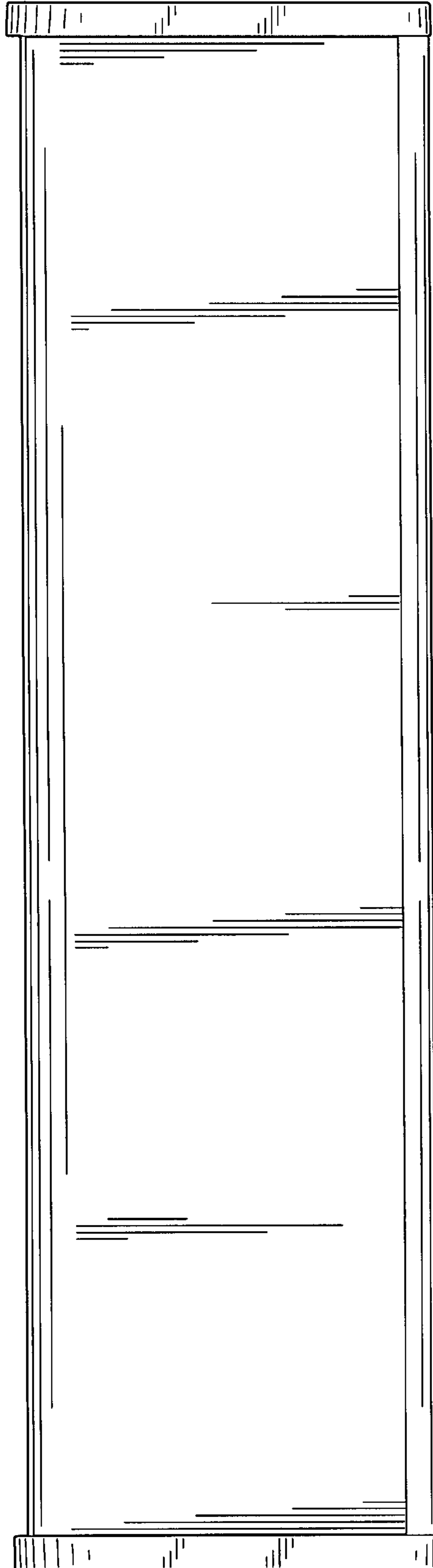


FIG. 2

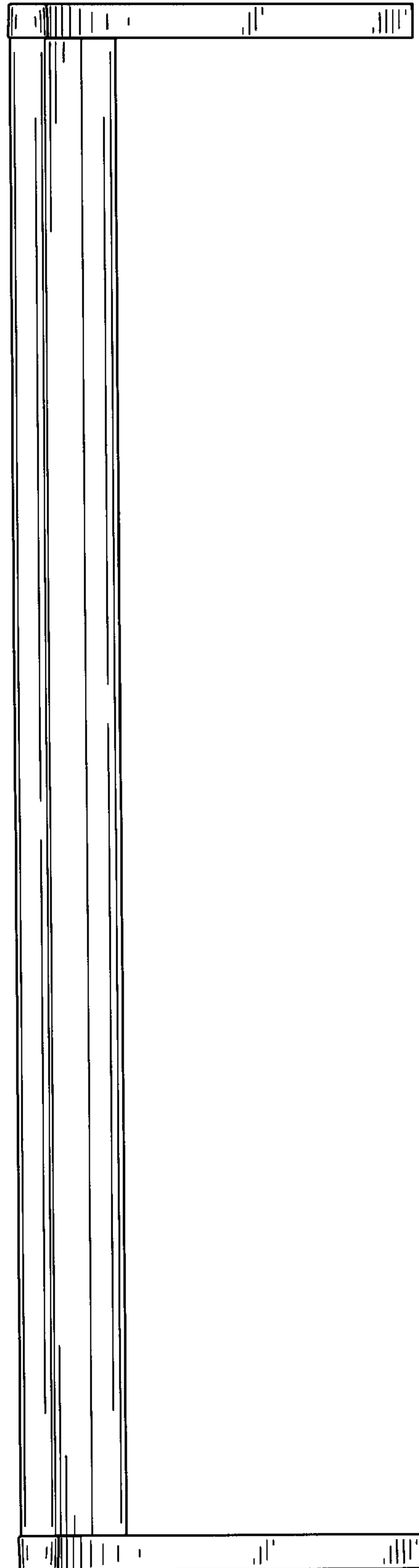


FIG. 3

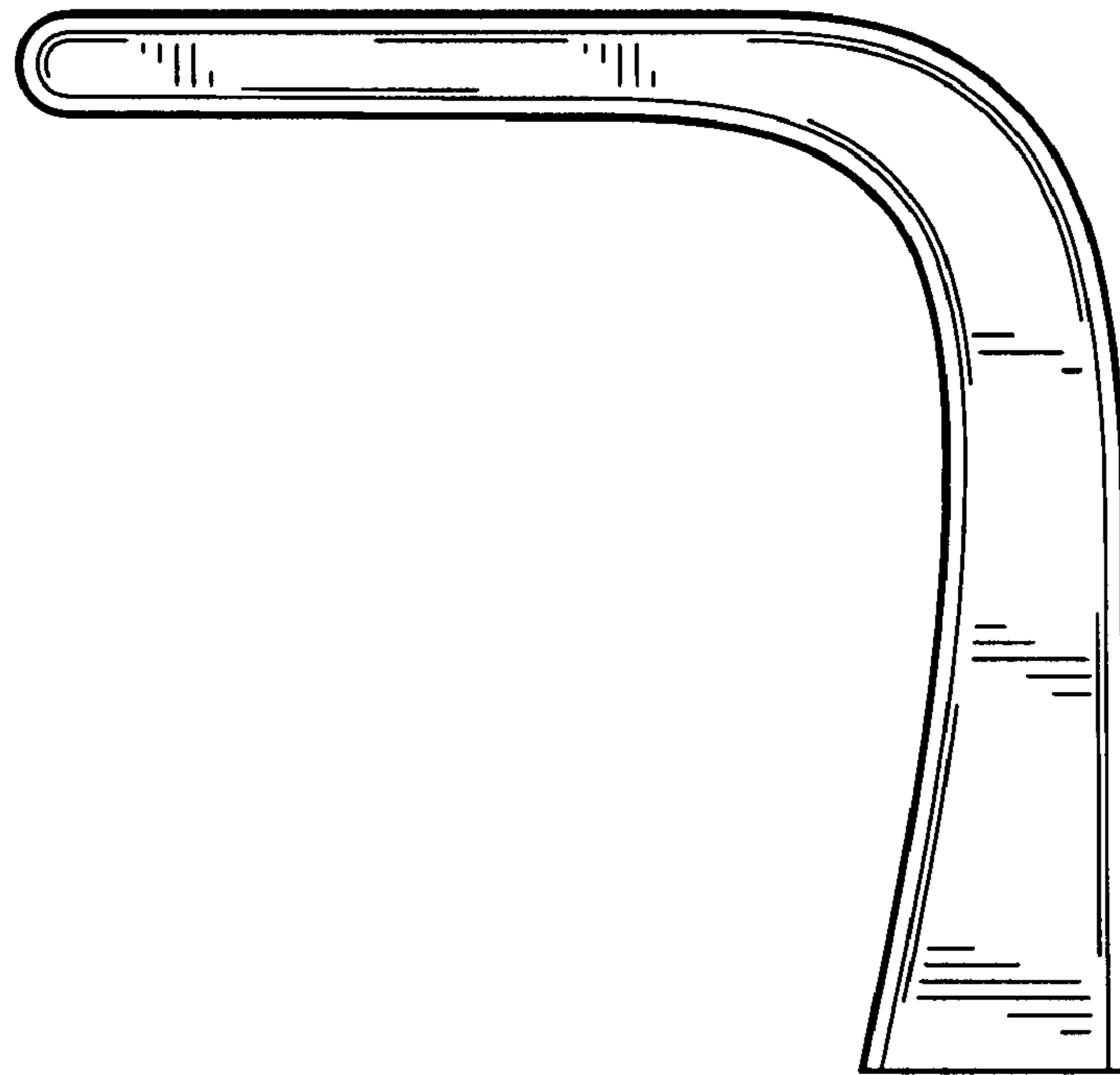


FIG. 4

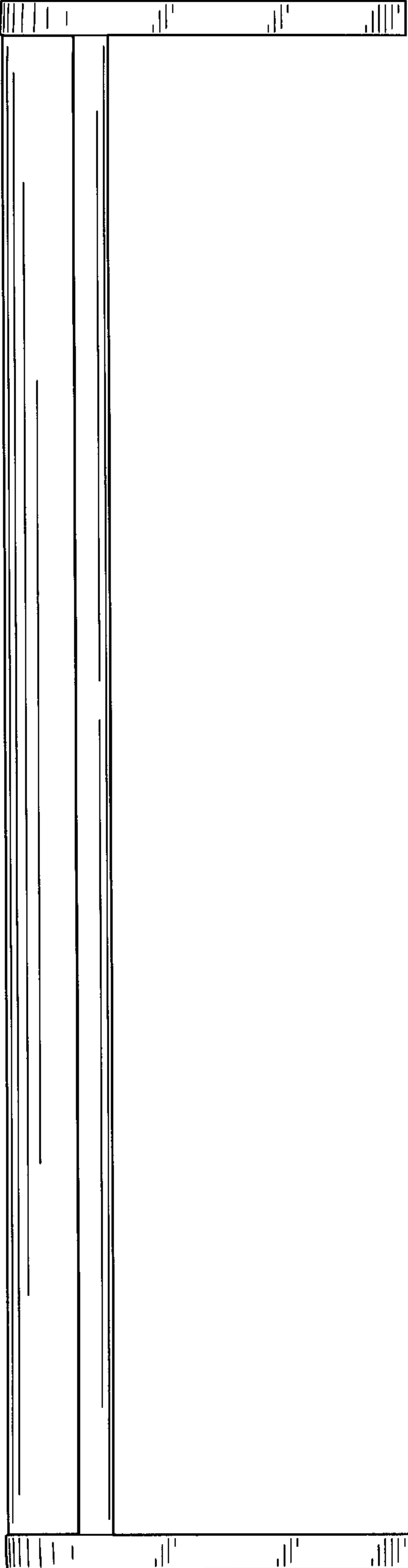


FIG. 5