



US00D507417S

(12) **United States Design Patent** (10) **Patent No.:** **US D507,417 S**
Franzone, Jr. et al. (45) **Date of Patent:** **** Jul. 19, 2005**

(54) **SHOWER CURTAIN AND FABRIC DISPLAY HANGER**

(75) Inventors: **Andrew Franzone, Jr.**, Remsenburg, NY (US); **Robert Ahearn**, Bethpage, NY (US)

(73) Assignee: **Allen Field Company, Inc.**, Farmingdale, NY (US)

(**) Term: **14 Years**

(21) Appl. No.: **29/182,168**

(22) Filed: **May 20, 2003**

(51) **LOC (8) Cl.** **06-08**

(52) **U.S. Cl.** **D6/317**

(58) **Field of Search** D6/315-320, 325-328; 211/113, 118, 119, 853; 223/85, 87, 88, 91-96

(56) **References Cited**

U.S. PATENT DOCUMENTS

D273,073 S	*	3/1984	Batts et al.	D6/319
D364,279 S	*	11/1995	Hoffman	D6/319
D387,911 S	*	12/1997	Albert	D6/317
D411,375 S	*	6/1999	Onishi et al.	D6/325
D429,571 S	*	8/2000	Miko	D6/317
D464,811 S	*	10/2002	Lin	D6/319
D481,545 S	*	11/2003	Strouts	D6/317

* cited by examiner

Primary Examiner—Brian N Vinson

(74) *Attorney, Agent, or Firm*—Harrington & Smith, LLP

(57) **CLAIM**

We claim the ornamental design for a shower curtain and fabric display hanger, as shown and described.

DESCRIPTION

FIG. 1 is a front elevational view of the shower curtain and fabric display hanger incorporating our new design; FIG. 2 is a top side plan view thereof; FIG. 3 is a right side elevational view thereof; FIG. 4 is a left side elevational view thereof; FIG. 5 is a rear elevational view thereof; FIG. 6 is a bottom plan view thereof; FIG. 7 is a cross-sectional view taken along line 7—7 of FIG. 1; FIG. 8 is a front elevational view of a second embodiment of the hanger shown in FIG. 1, the only difference being the height of the vertical side sections; FIG. 9 is a top side plan view thereof; FIG. 10 is a right side elevational view thereof; FIG. 11 is a left side elevational view thereof; FIG. 12 is a rear elevational view thereof; FIG. 13 is a bottom plan view thereof; and, FIG. 14 is a cross-sectional view taken along line 14—14 of FIG. 8.

FIGS. 7 and 14 are cross-sectional views where the exact contour or configuration of the exterior surface of the claimed design may not be apparent from the views of the drawing, and no attempt is made to illustrate features of internal construction.

1 Claim, 4 Drawing Sheets

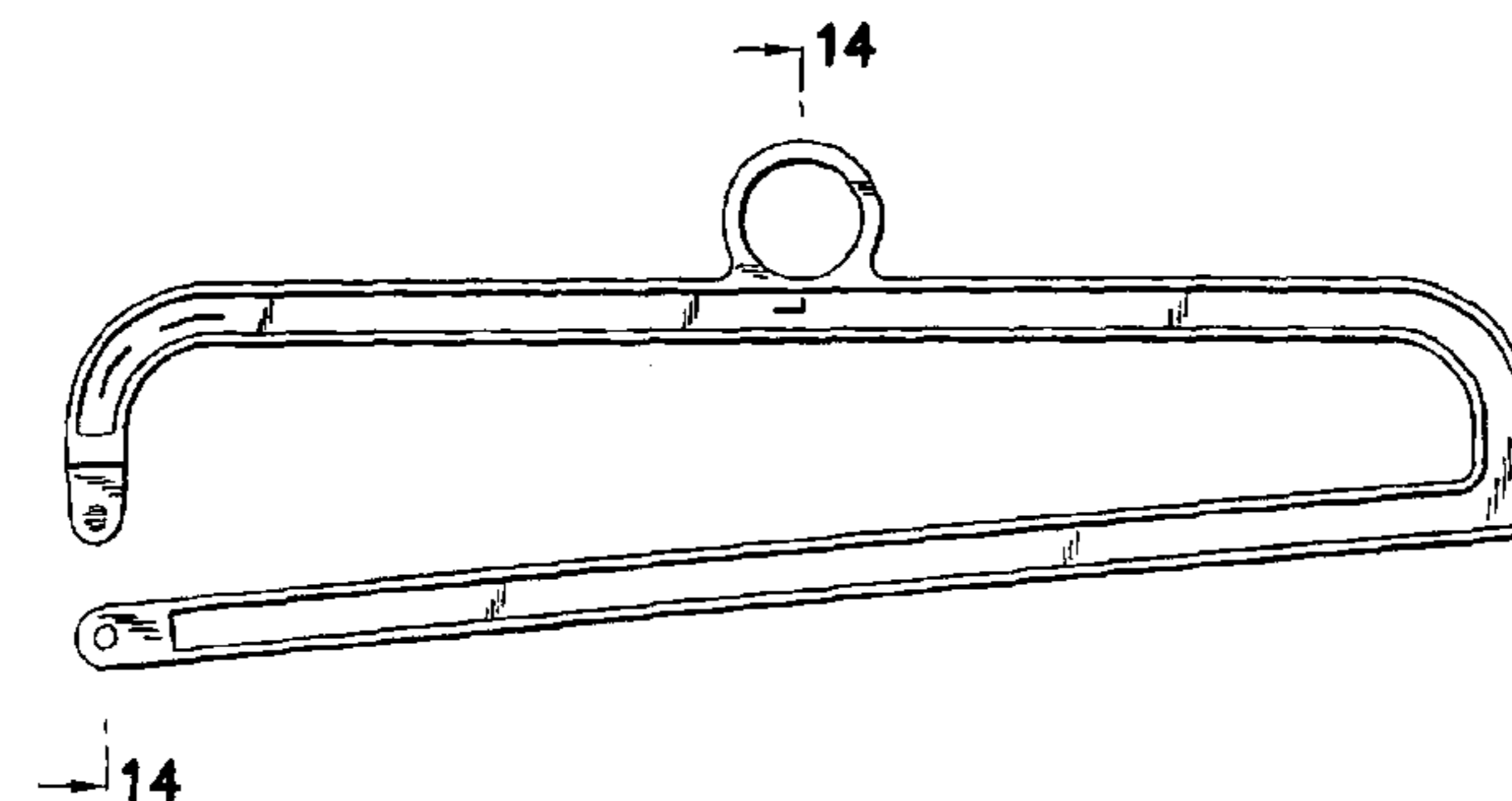
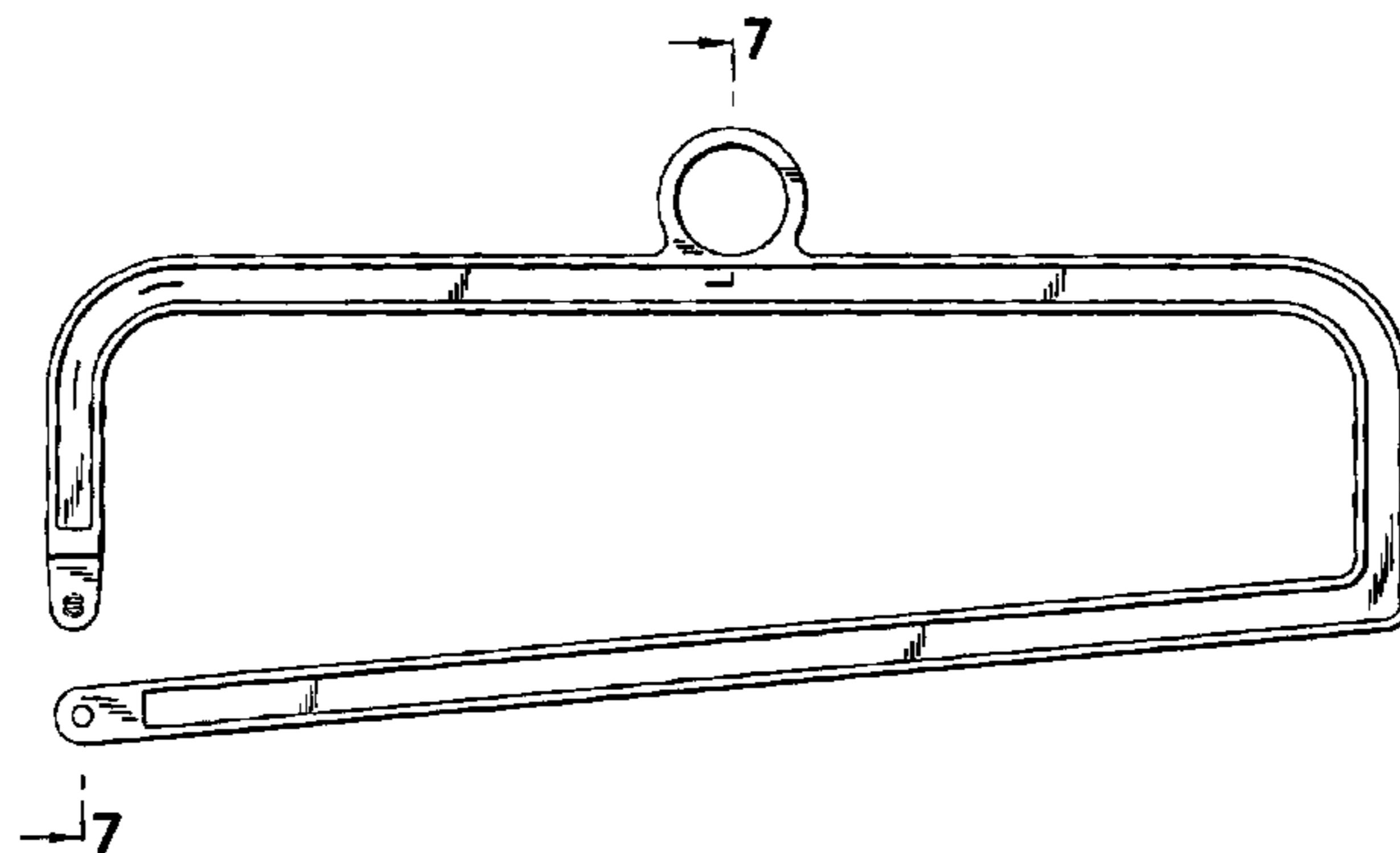
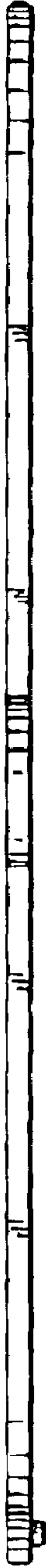
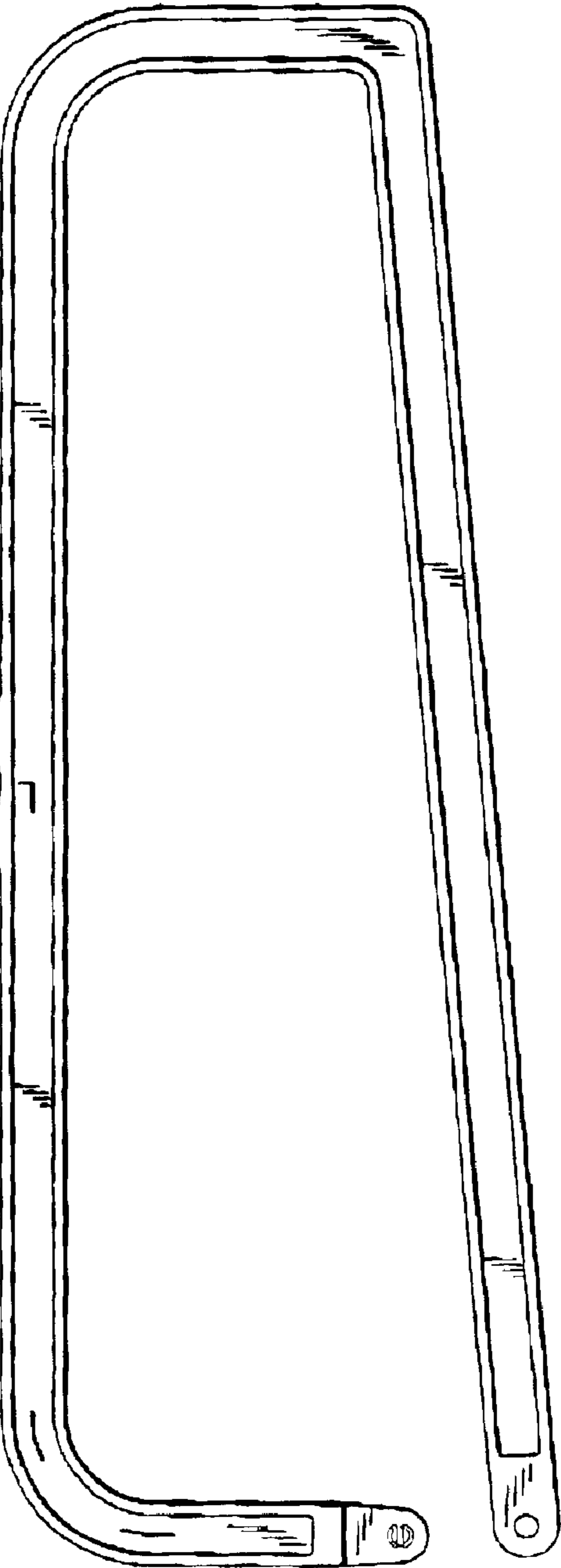
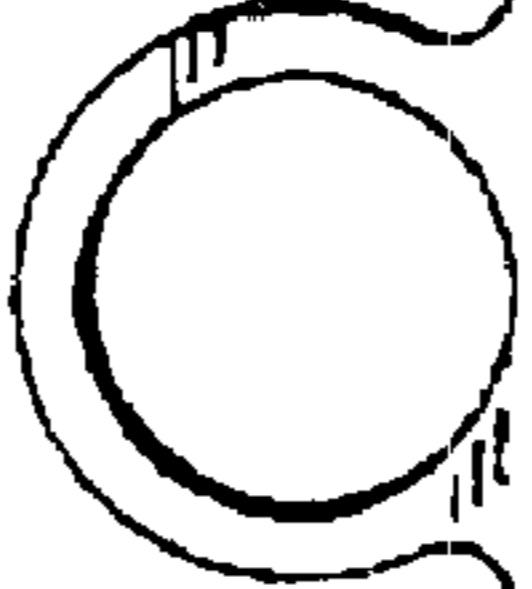


FIG.2



7



7

FIG.1



FIG.3

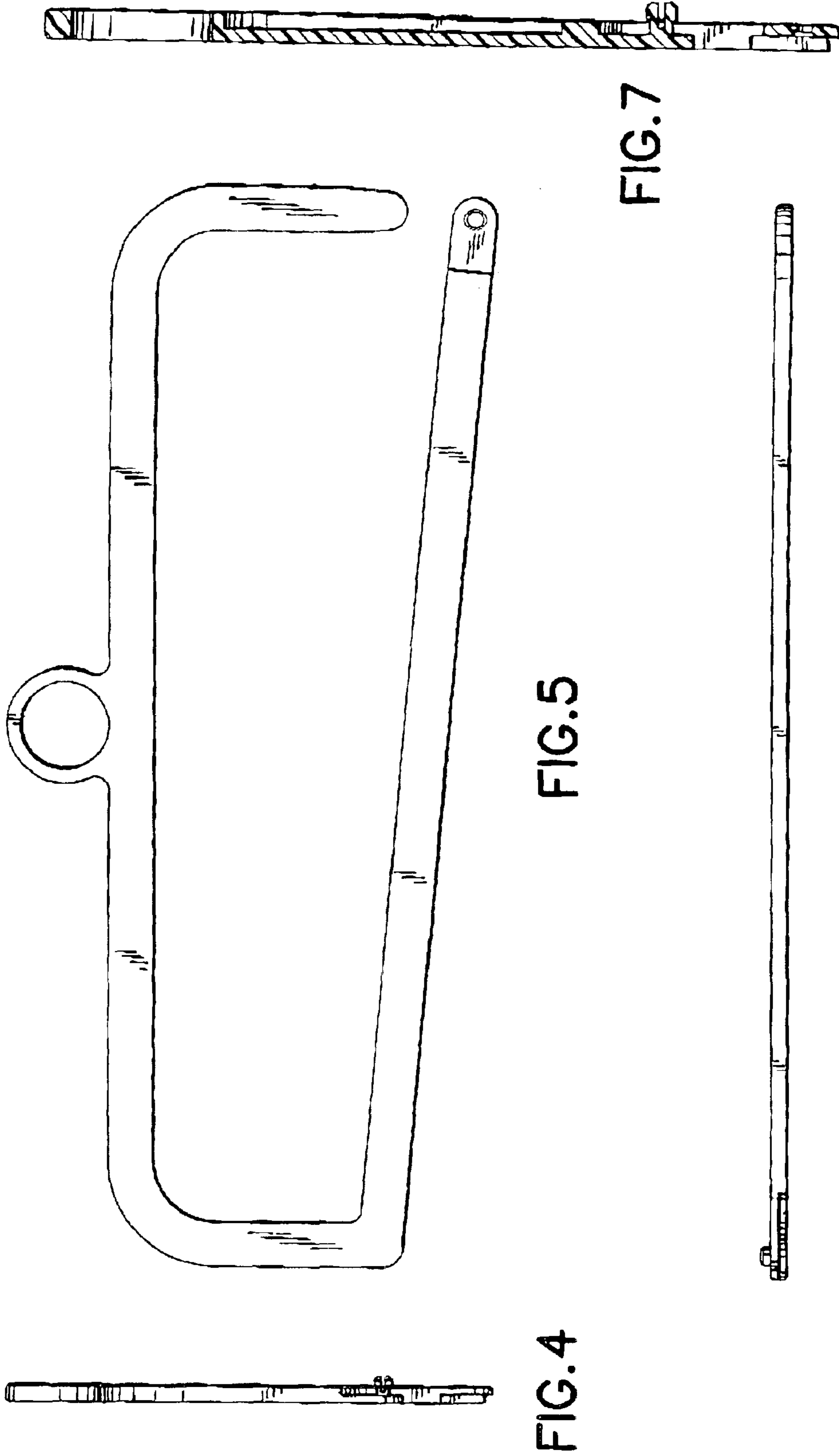


FIG. 4

FIG. 5

FIG. 7

FIG. 6

FIG. 9



14

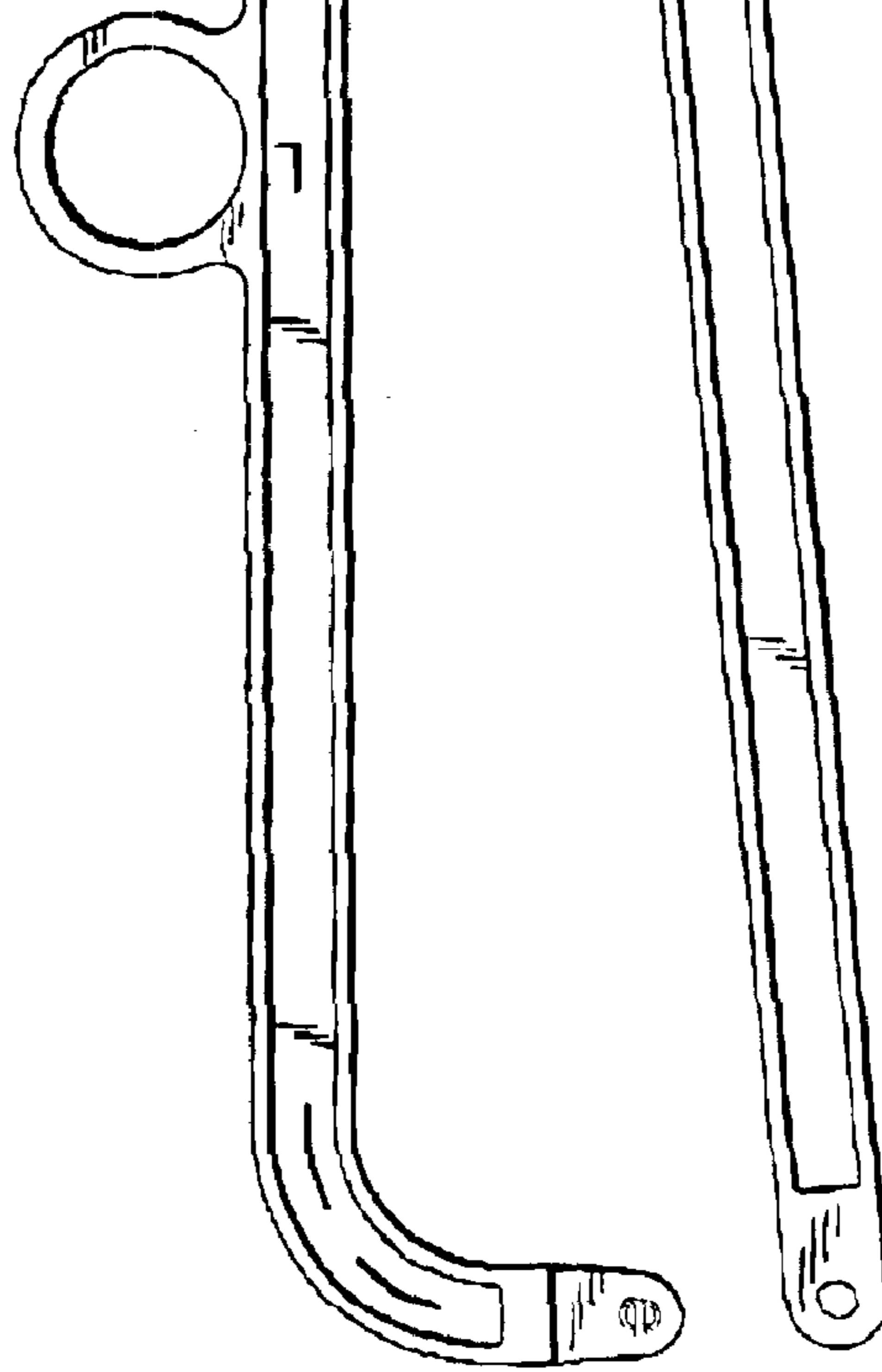


FIG. 8

14



FIG. 10

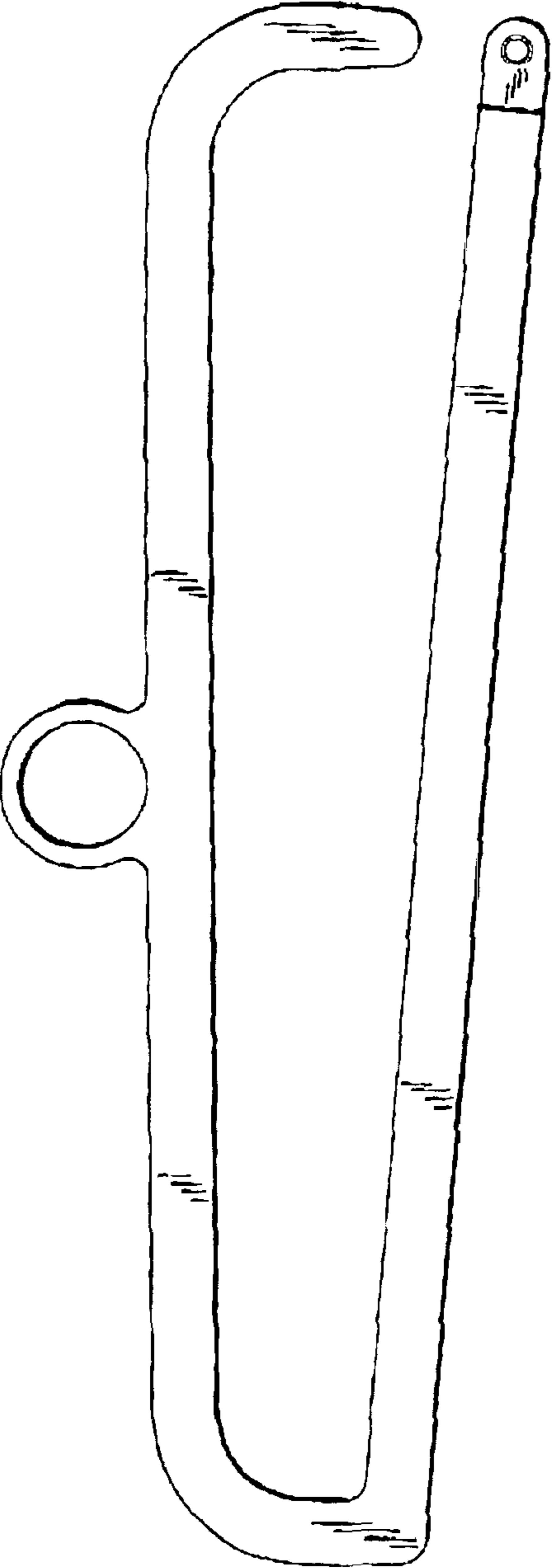


FIG. 11



FIG. 12



FIG. 13

FIG. 14