

US00D507406S

(12) **United States Design Patent** (10) **Patent No.:** **US D507,406 S**
Kemp et al. (45) **Date of Patent:** **** Jul. 19, 2005**

(54) **JUVENILE TOOTHBRUSH**

(75) Inventors: **James Kemp**, Somerset, NJ (US); **Al Sprosta**, Union, NJ (US); **Brett Traficant**, Clark, NJ (US); **Tau Dai**, Edison, NJ (US); **Eduardo Jimenez**, Manalapan, NJ (US); **Nancy Won Mee Pak**, New York, NY (US)

(73) Assignee: **Colgate-Palmolive Company**, New York, NY (US)

(**) Term: **14 Years**

(21) Appl. No.: **29/182,302**

(22) Filed: **May 23, 2003**

Related U.S. Application Data

(63) Continuation-in-part of application No. 10/113,763, filed on Apr. 1, 2002, now abandoned.

(51) **LOC (8) Cl.** **04-02**

(52) **U.S. Cl.** **D4/107; D4/124**

(58) **Field of Search** D4/104-112, 124, D4/132, 134, 138; 15/143.1, 167.1, 167.2, 186, 187, DIG. 5; 16/430; 132/308, 311; D21/433; 446/71-73, 75, 76

(56) **References Cited**

U.S. PATENT DOCUMENTS

D237,659 S	*	11/1975	Meyer et al.	D4/107
4,979,258 A	*	12/1990	Buj	15/167.1
D411,683 S	*	6/1999	Moskovich et al.	D4/104
D426,958 S	*	6/2000	Moskovich et al.	D4/104
D443,765 S	*	6/2001	Porter	D4/107
D452,381 S	*	12/2001	Cheong et al.	D4/107
D459,584 S	*	7/2002	Blaustein et al.	D4/107
D463,132 S	*	9/2002	Winter et al.	D4/104
D477,147 S	*	7/2003	Lee	D4/101

* cited by examiner

Primary Examiner—Alan P. Douglas
Assistant Examiner—Lavone D. Tabor

(74) *Attorney, Agent, or Firm*—Harris A. Wolin; Clifford E. Wilkins

(57) **CLAIM**

The ornamental design for a juvenile toothbrush, as shown and described.

DESCRIPTION

FIG. 1 is a front elevation view of the juvenile toothbrush of our new design;

FIG. 2 is a left side elevation view thereof, the right side being a mirror image;

FIG. 3 is a rear elevation view thereof;

FIG. 4 is a top plan view thereof;

FIG. 5 is a bottom plan view thereof;

FIG. 6 is a front perspective view as seen from the bottom left side thereof;

FIG. 7 is a rear perspective view as seen from the bottom right side thereof;

FIG. 8 is a front elevation view of a second embodiment of the juvenile toothbrush of our new design;

FIG. 9 is a left side elevation view thereof, the right side being a mirror image;

FIG. 10 is a rear elevation view thereof;

FIG. 11 is a top plan view thereof;

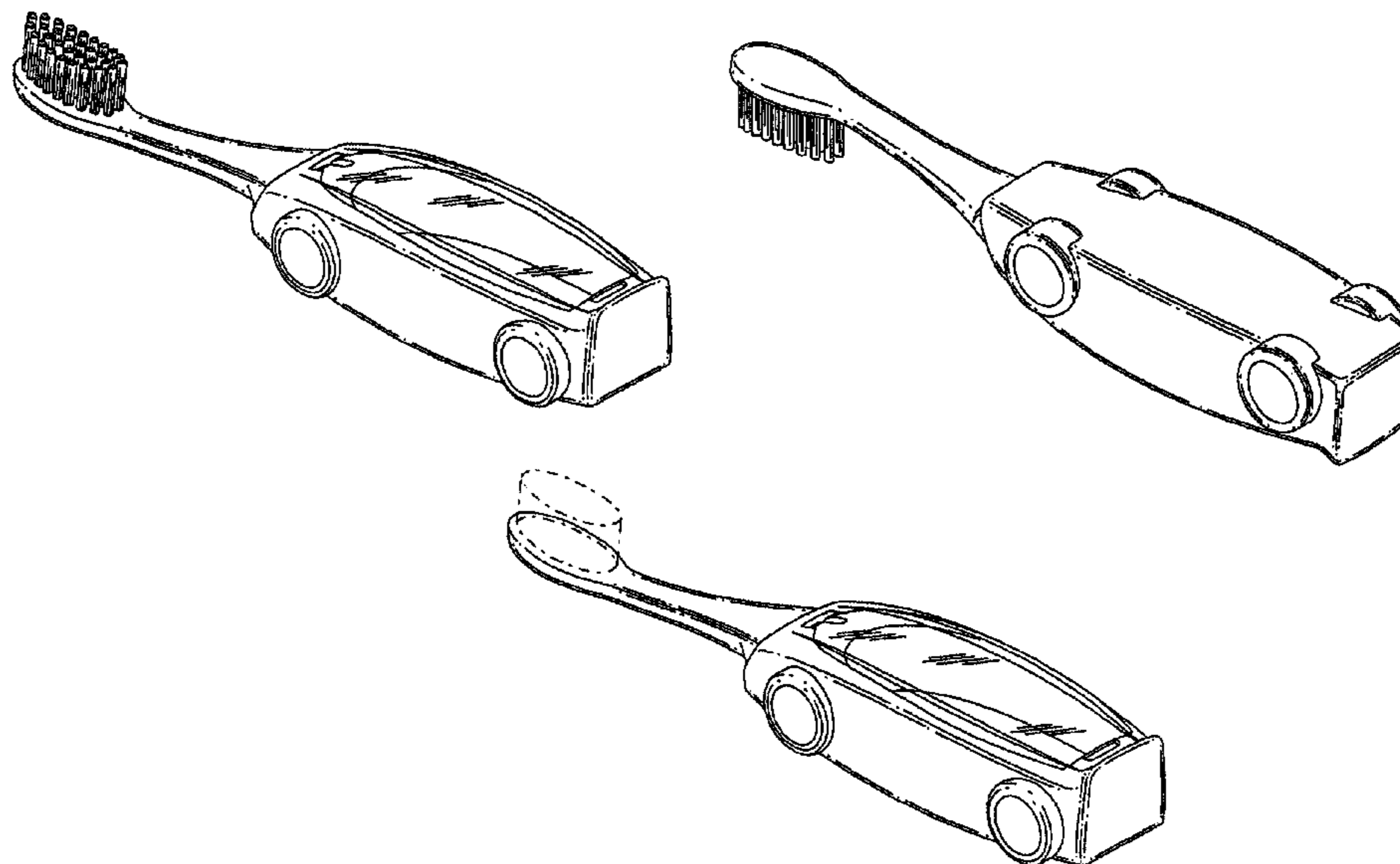
FIG. 12 is a bottom plan view thereof;

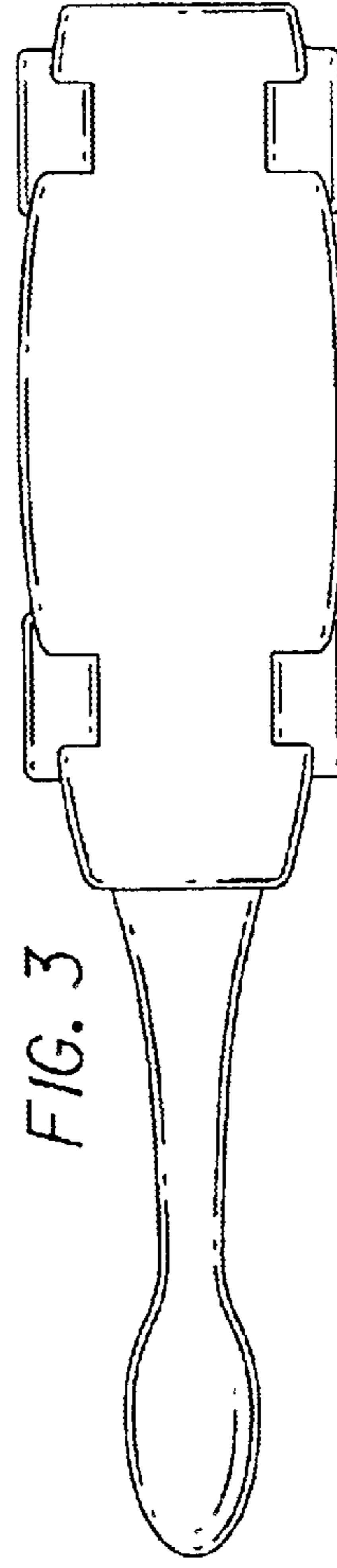
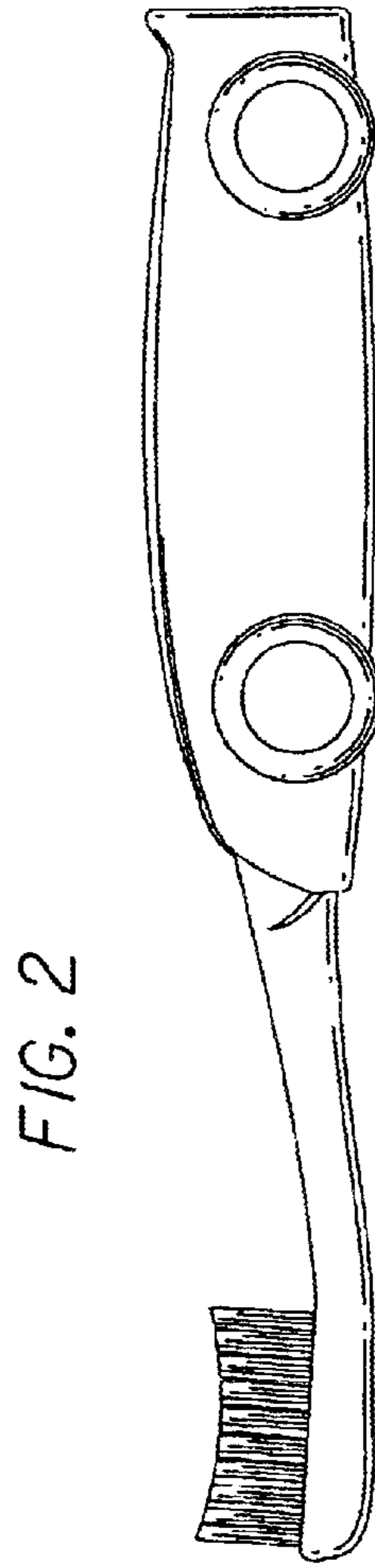
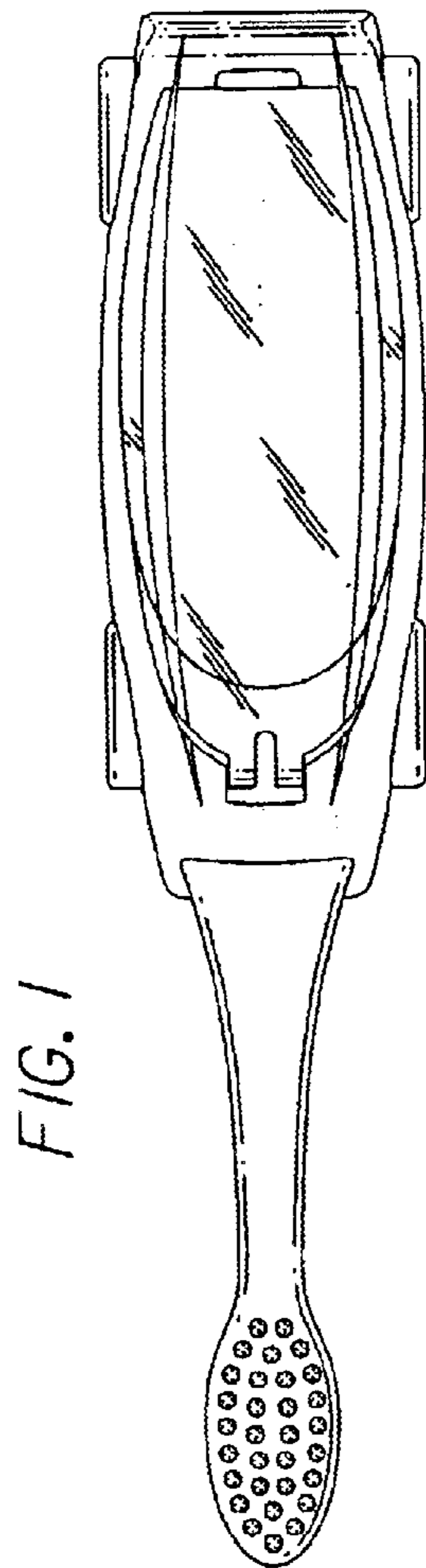
FIG. 13 is a front perspective view as seen from the bottom left side thereof; and,

FIG. 14 is a rear perspective view as seen from the bottom right side thereof.

The broken lines representing bristles in FIGS. 8, 9, and 11-14 are for illustrative purposes only and form no part of the second embodiment.

1 Claim, 6 Drawing Sheets





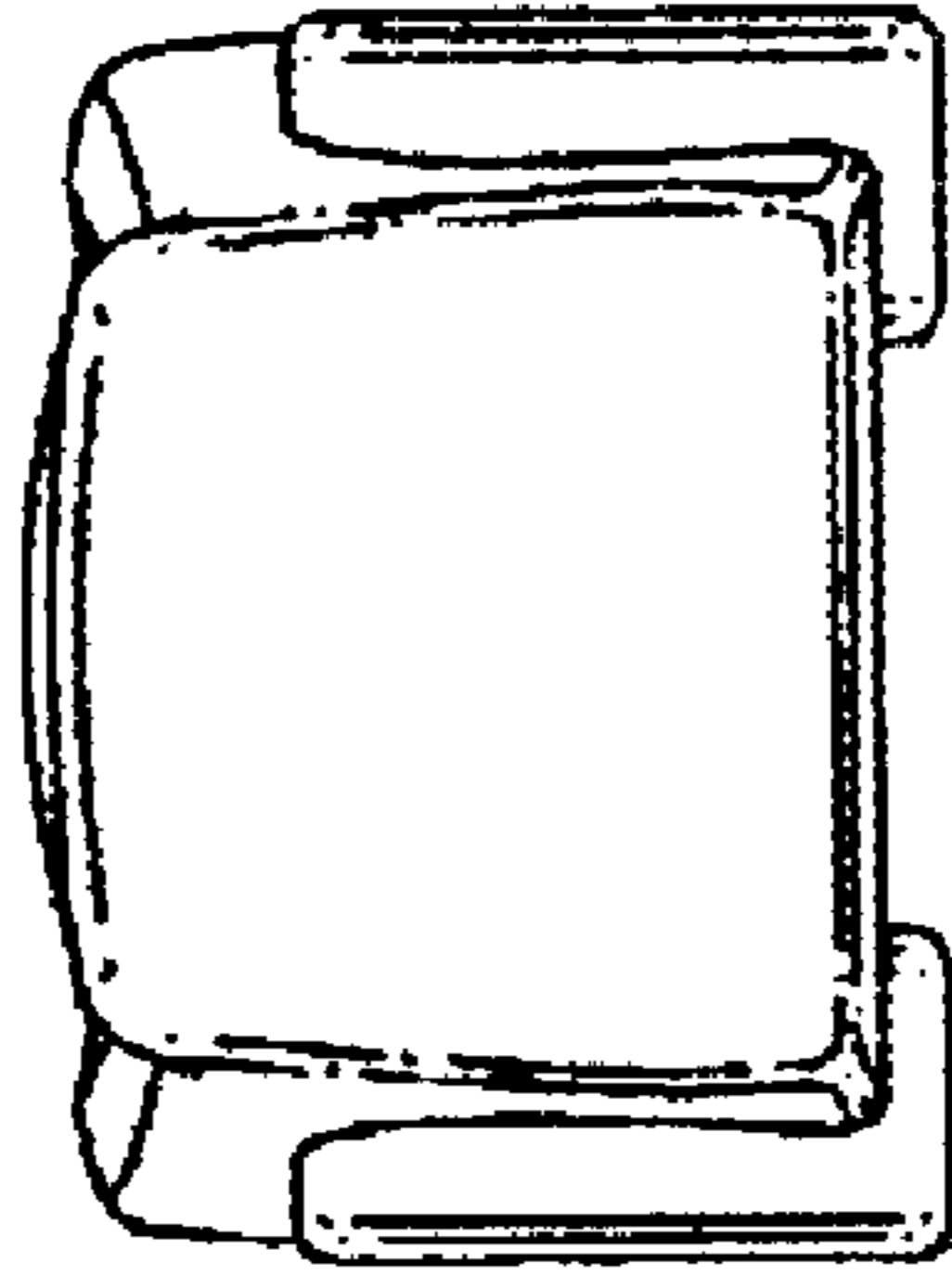


FIG. 5

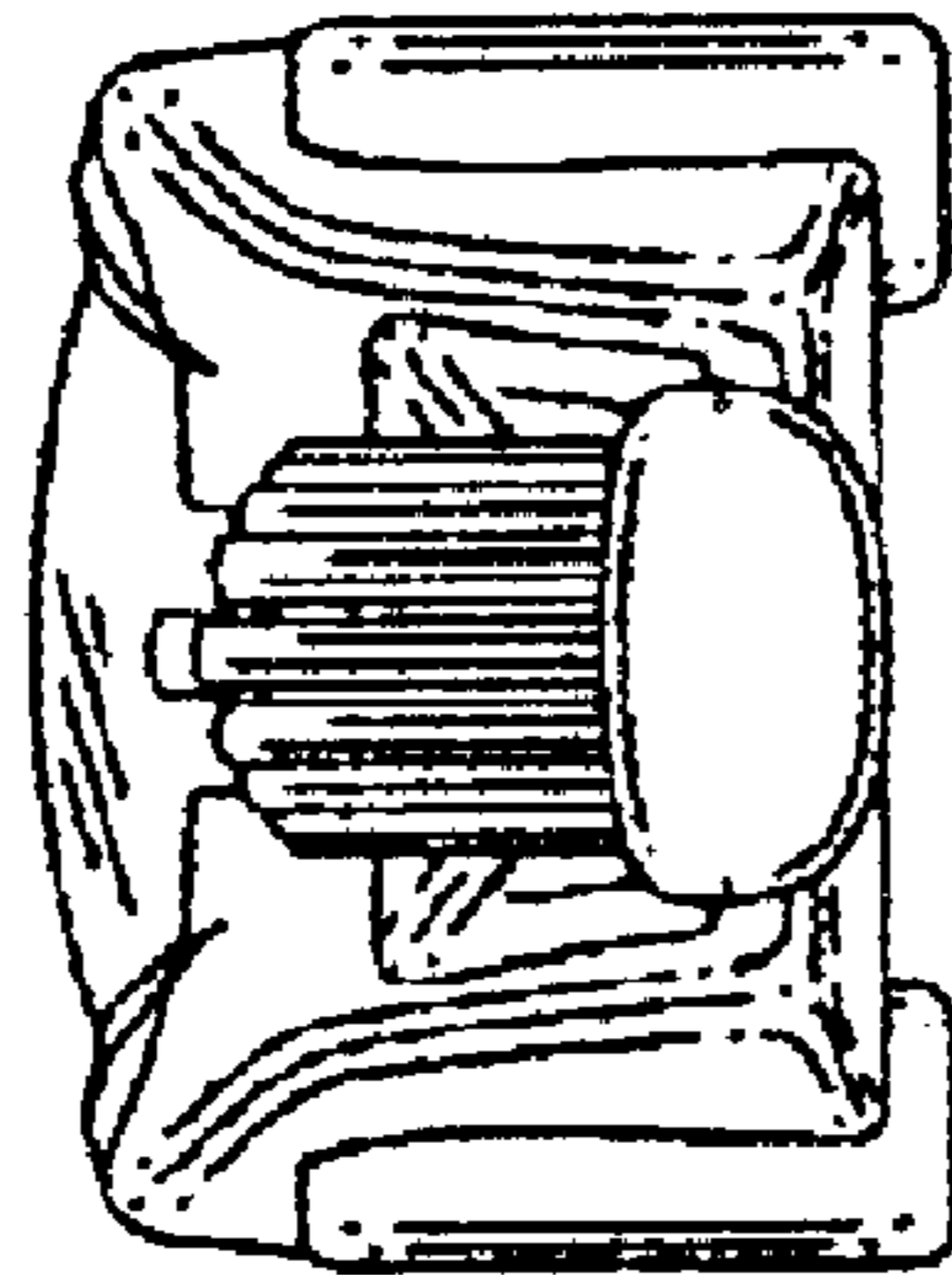


FIG. 4

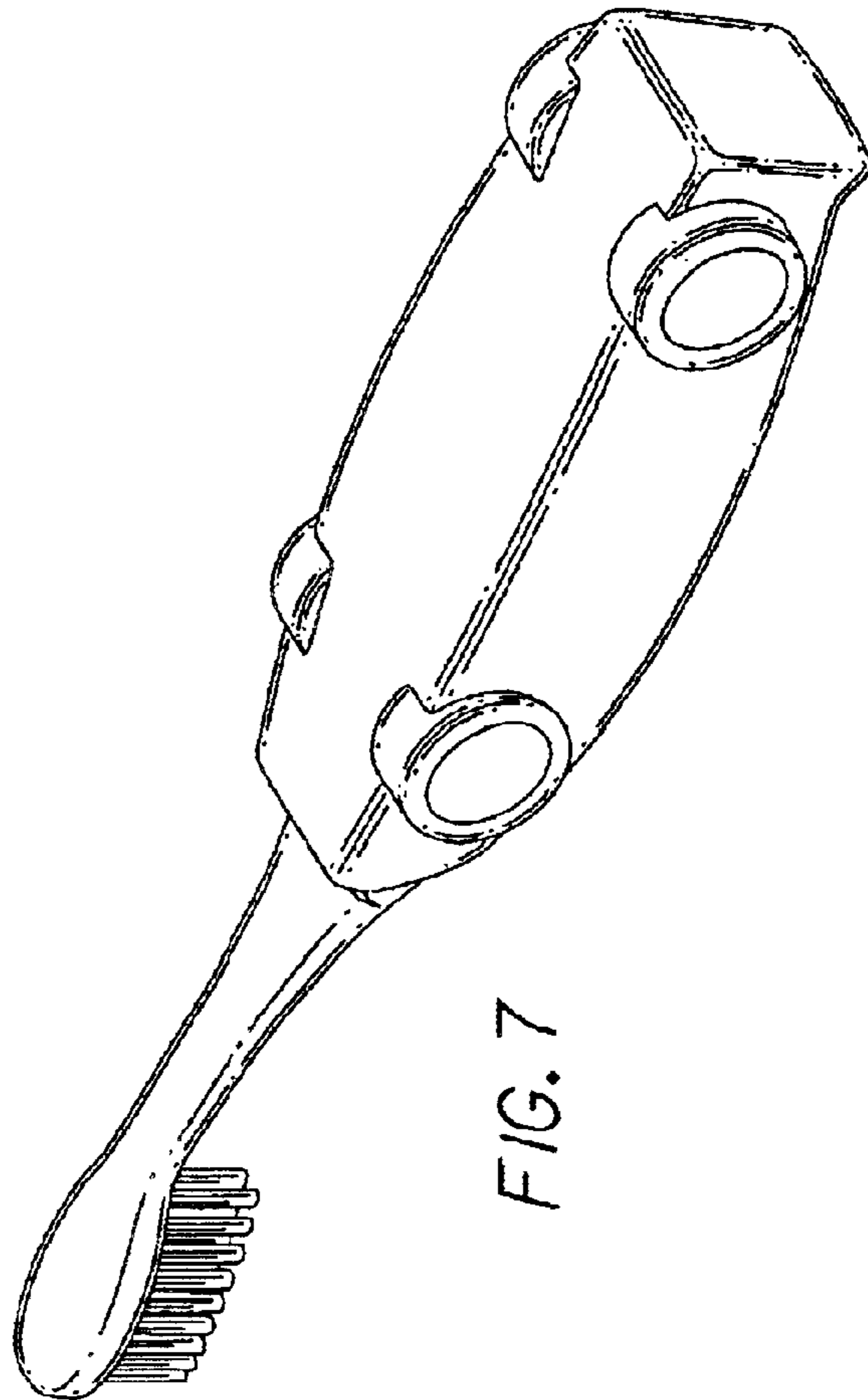
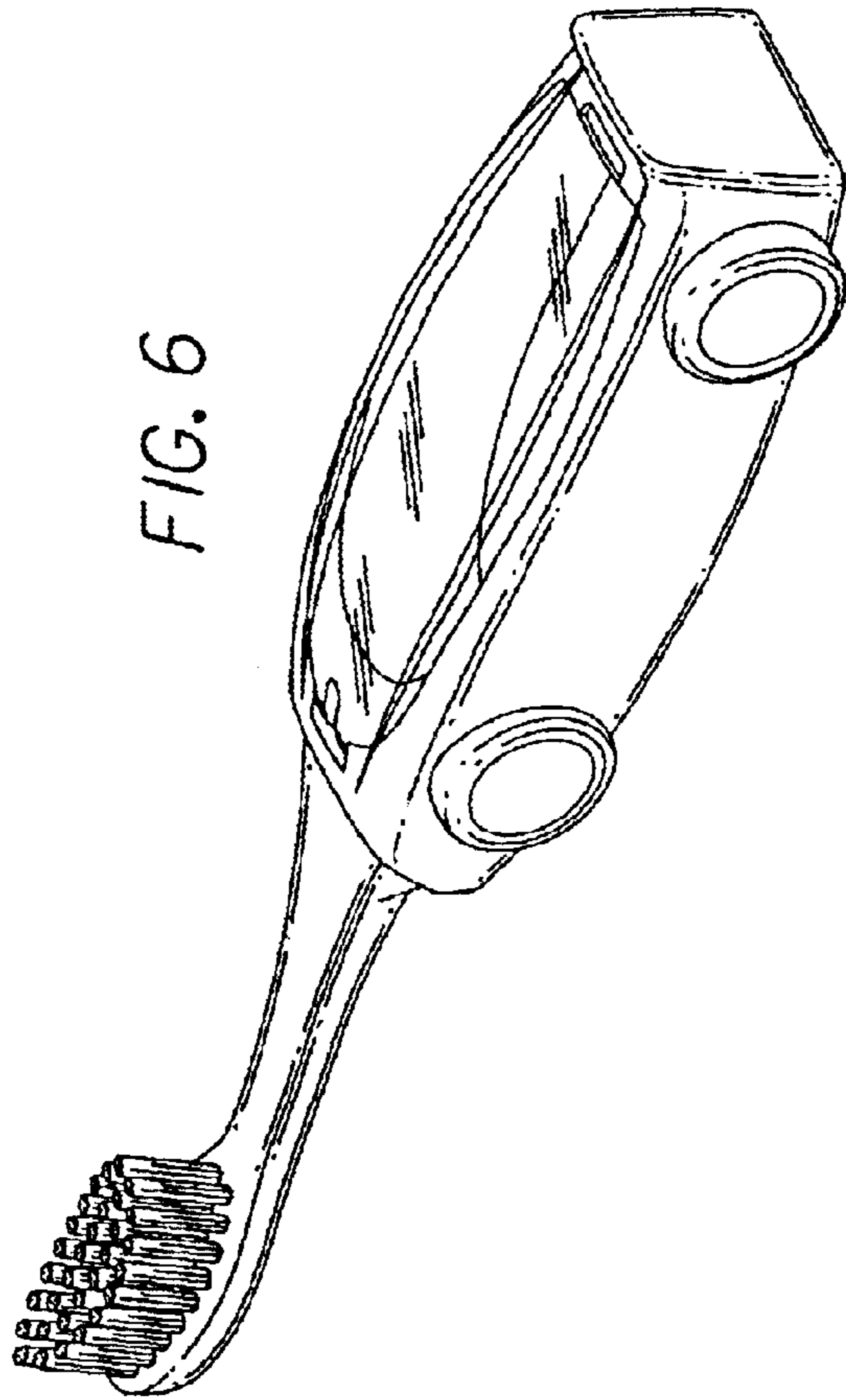


FIG. 8

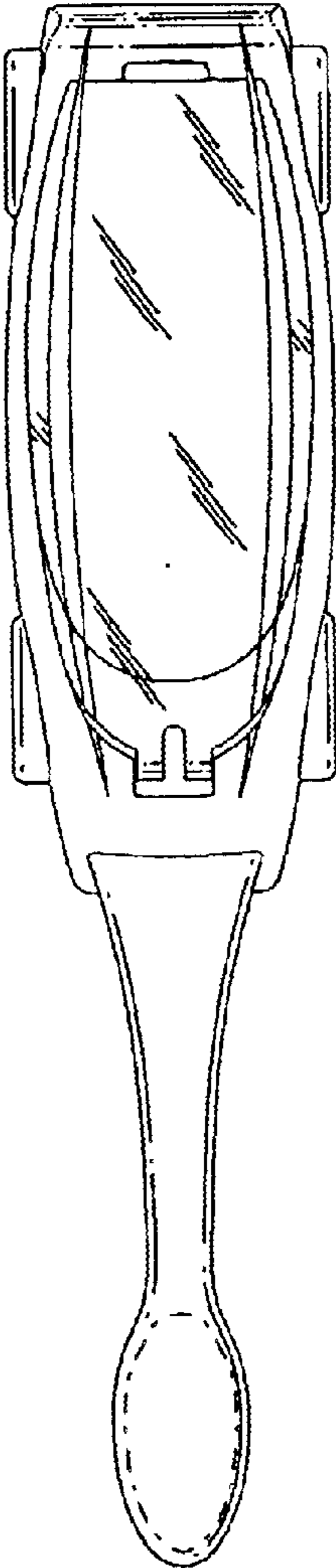


FIG. 9

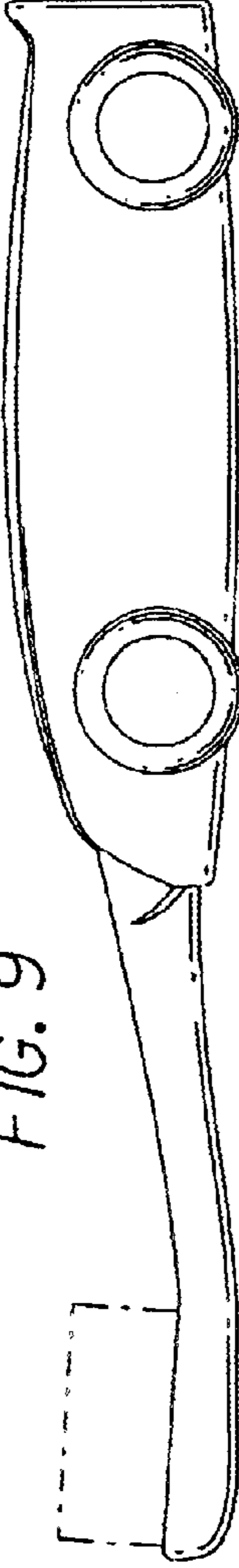
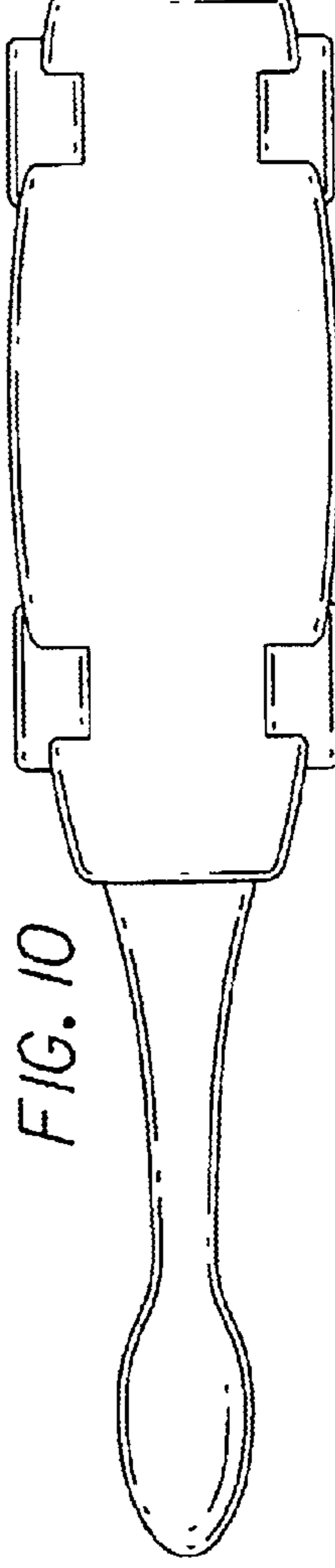


FIG. 10



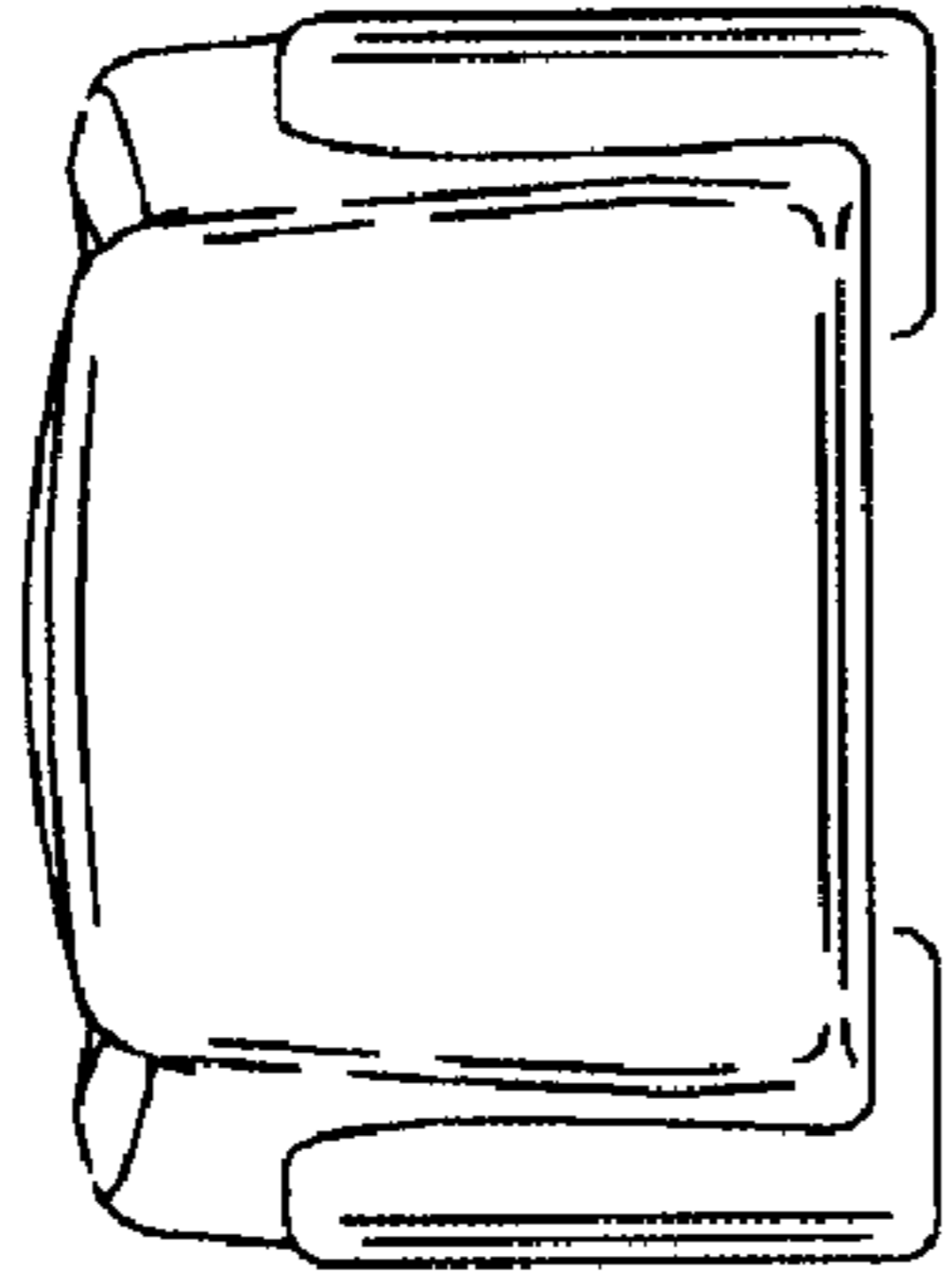


FIG 12

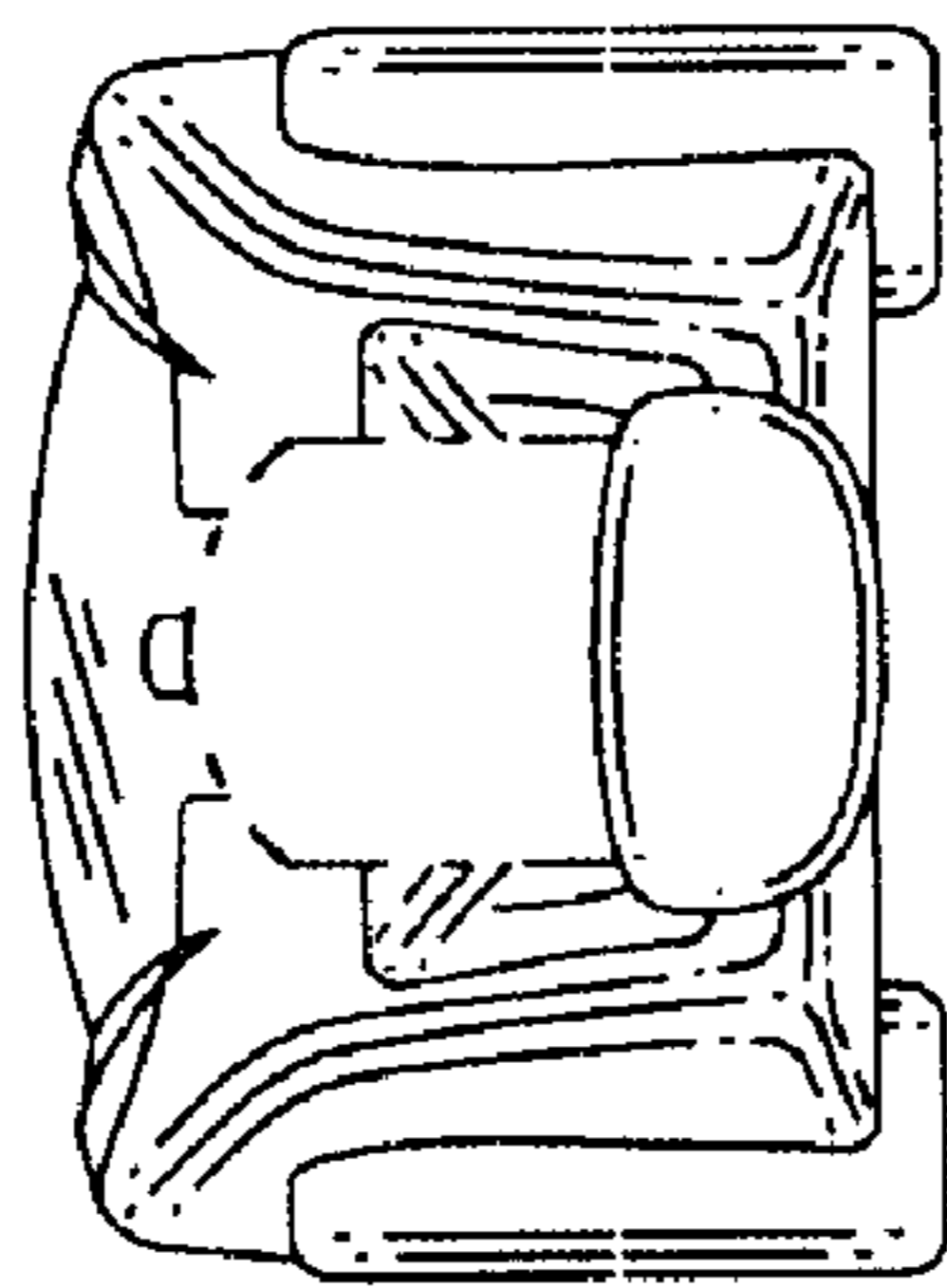


FIG 11

FIG. 13

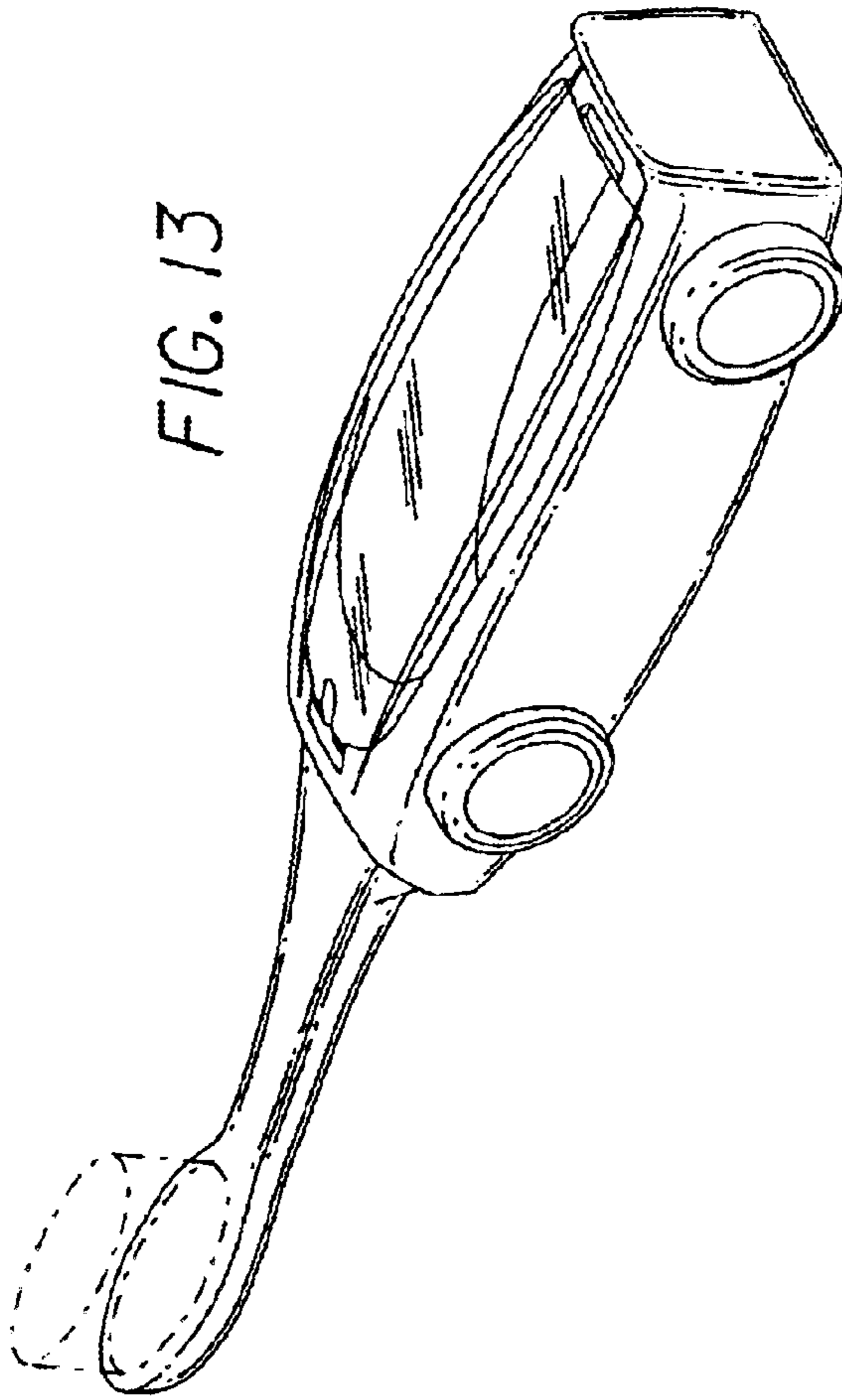


FIG. 14

