

US00D507404S

(12) **United States Design Patent**
Moon et al.

(10) **Patent No.:** **US D507,404 S**
(45) **Date of Patent:** **** Jul. 19, 2005**

(54) **WIDE METAL BIN**

D292,634 S * 11/1987 Chabot D3/307
D391,079 S * 2/1998 Conti et al. D3/314
D494,759 S * 8/2004 Louie et al. D3/304

(75) Inventors: **Brian Moon**, DeKalb, IL (US);
Torrence Anderson, Overland Park, KS
(US)

* cited by examiner

(73) Assignee: **Suncast Corporation**, Batavia, IL (US)

Primary Examiner—Louis S. Zarfaz
Assistant Examiner—John Windmuller

(**) Term: **14 Years**

(74) *Attorney, Agent, or Firm*—McHale & Slavin, P.A.

(21) Appl. No.: **29/206,320**

(57) **CLAIM**

(22) Filed: **May 28, 2004**

The ornamental design for a wide metal bin, as shown and described.

(51) **LOC (8) Cl.** **03-01**

DESCRIPTION

(52) **U.S. Cl.** **D3/304; D3/307**

(58) **Field of Search** D3/304–315; D19/75,
D19/77, 86, 100, 90, 92; 206/203, 214,
215, 307.1, 555, 501, 518, 557, 821, 822;
211/126.1; 229/100, 914, 913, 406, 407

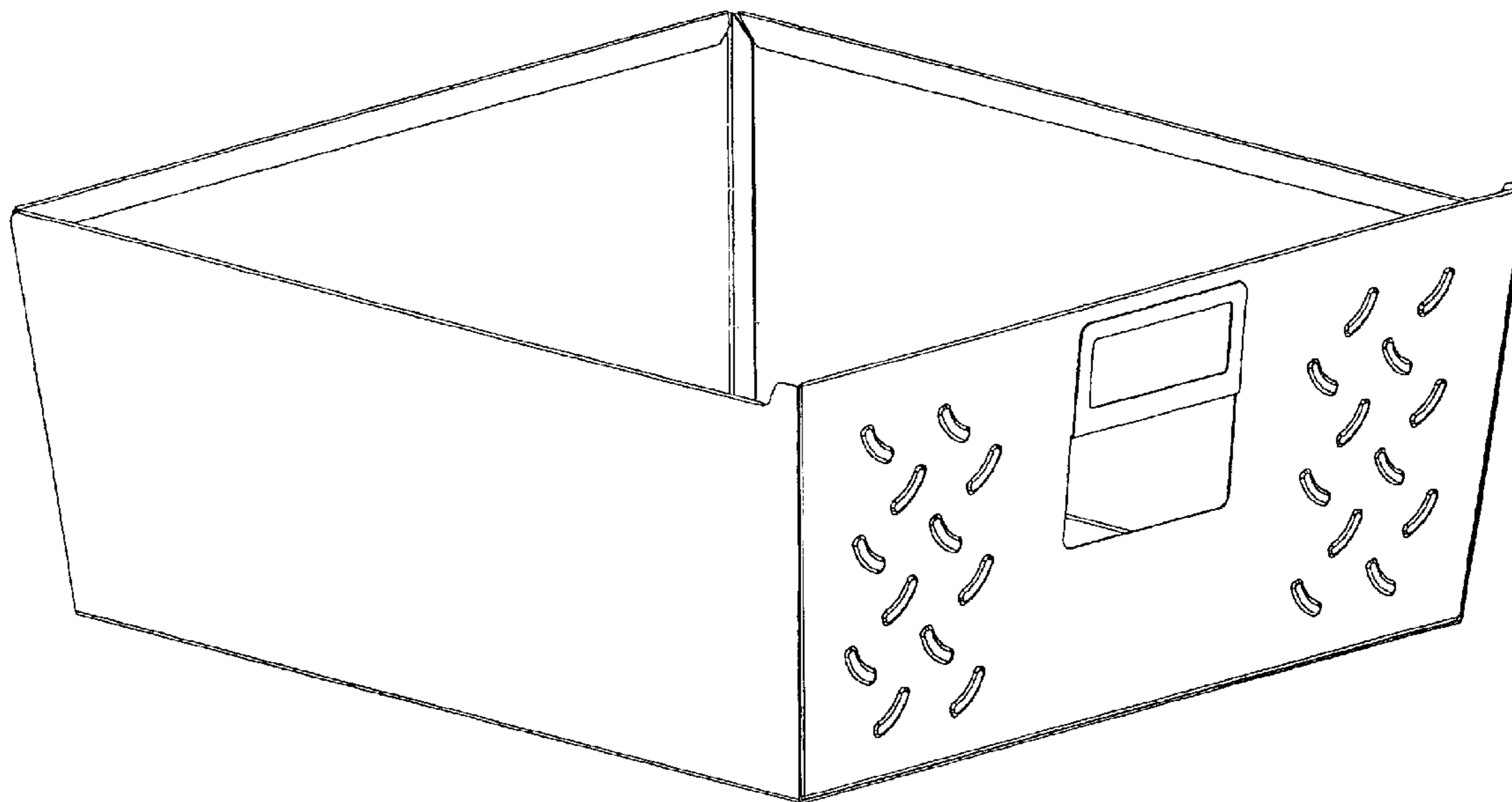
FIG. 1 is a perspective view of the wide metal bin of the instant invention;
FIG. 2 is a front elevation view thereof;
FIG. 3 is a rear view thereof;
FIG. 4 is a left side view thereof;
FIG. 5 is a right side view thereof; and,
FIG. 6 is a top view thereof.

(56) **References Cited**

U.S. PATENT DOCUMENTS

2,859,905 A * 11/1958 Choate 206/518

1 Claim, 4 Drawing Sheets



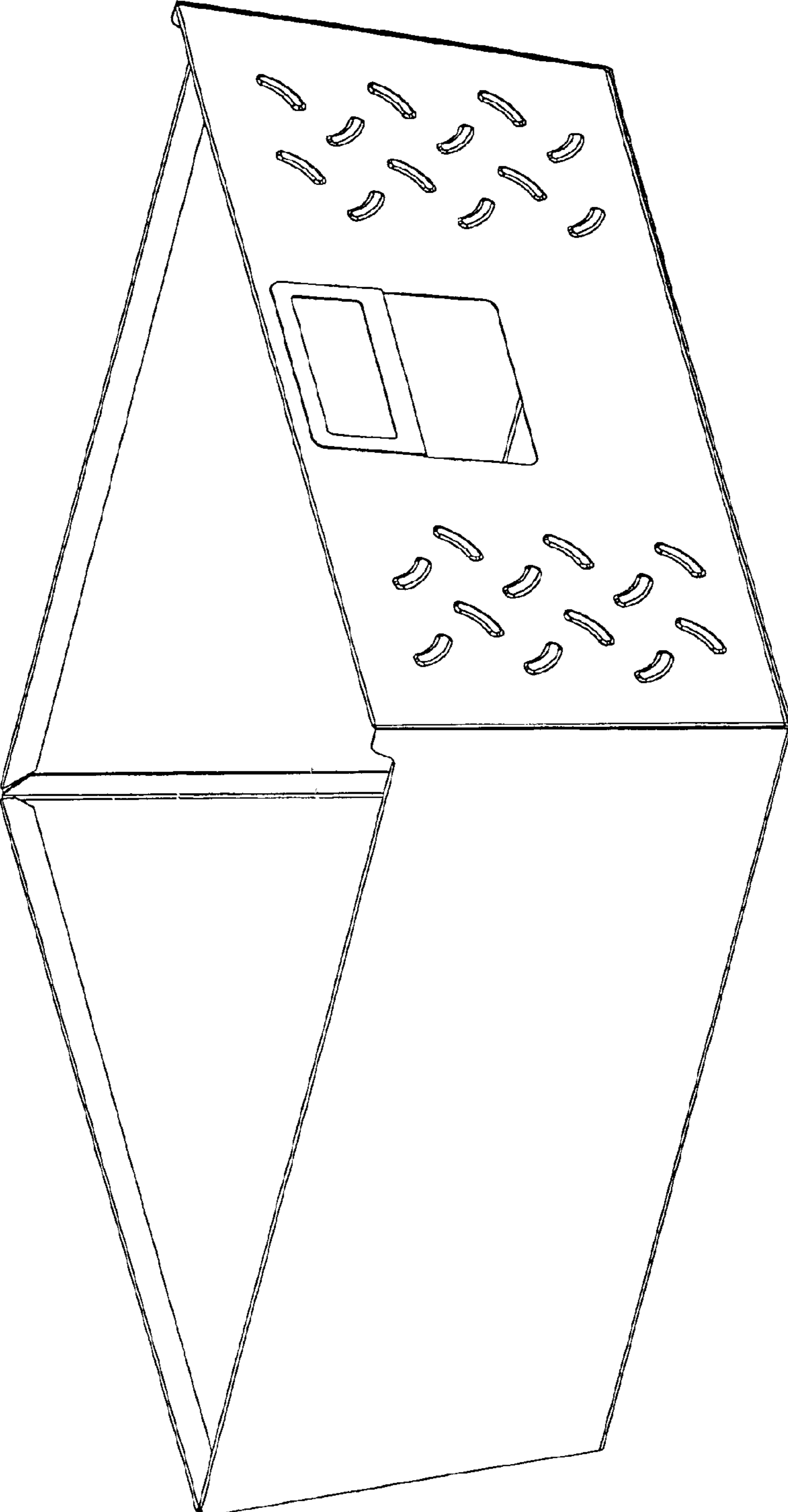


FIGURE 1

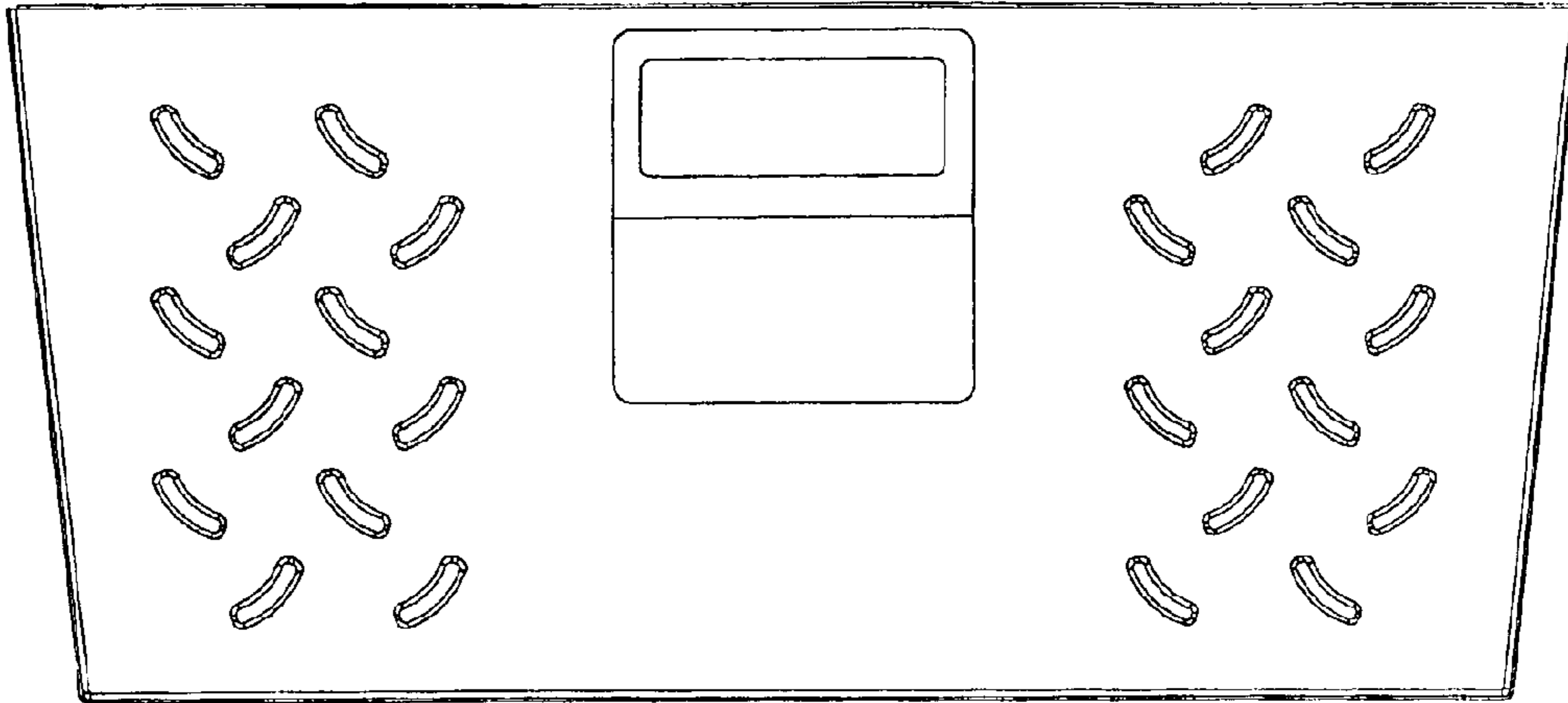


FIGURE 2

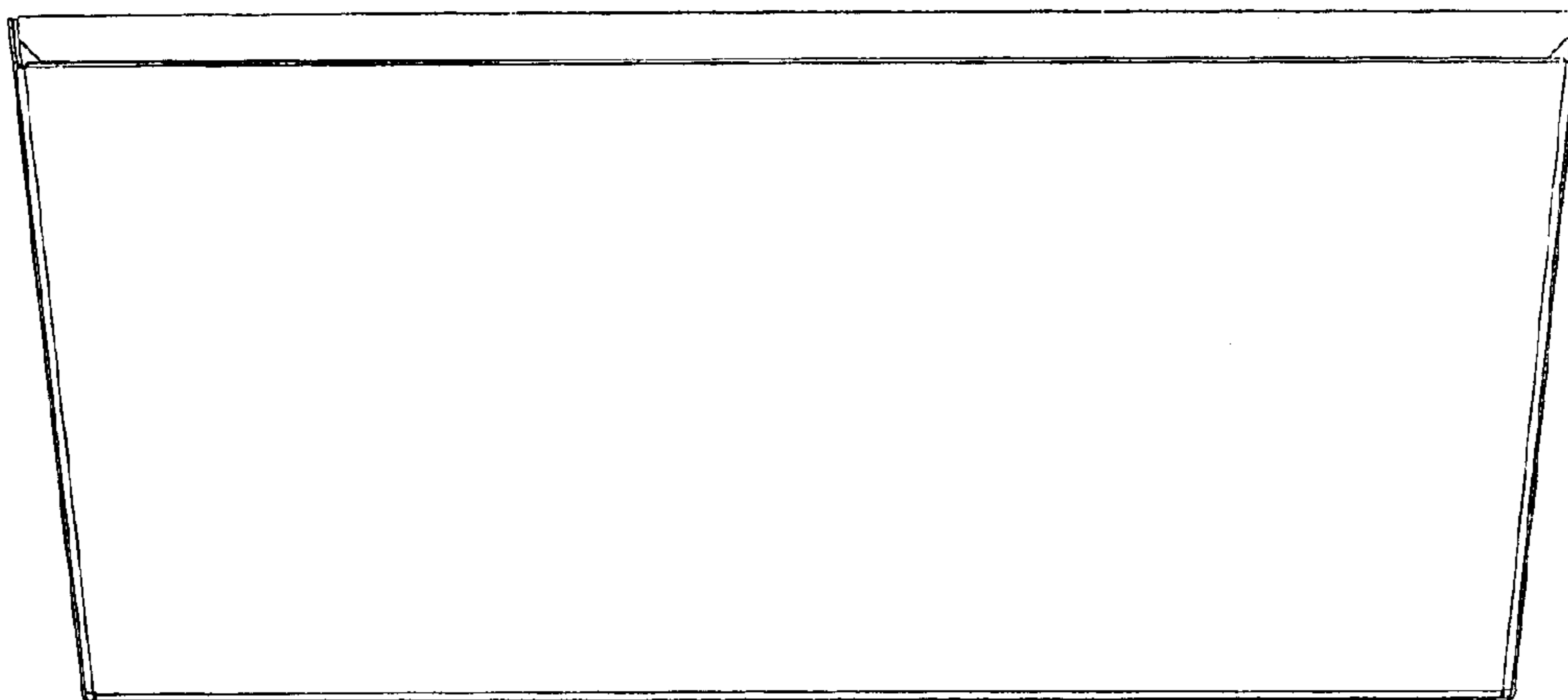


FIGURE 3

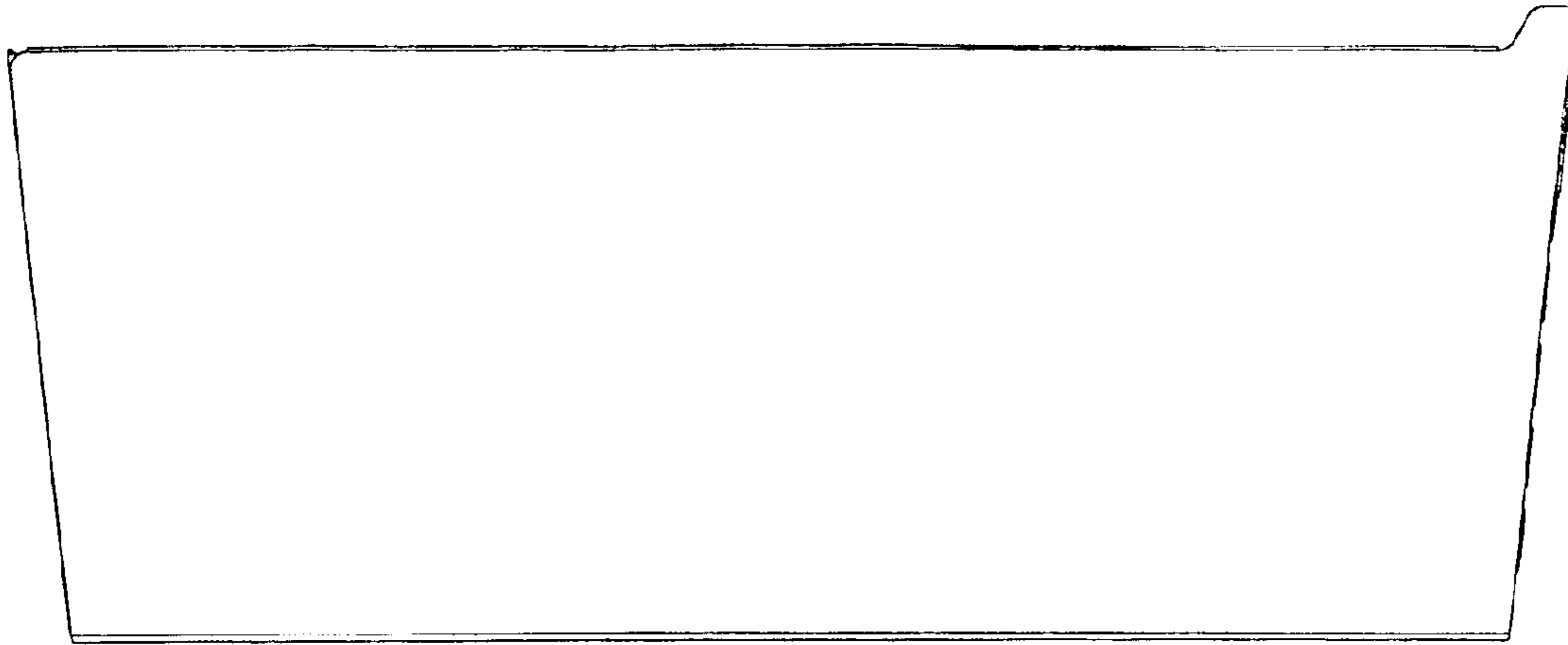


FIGURE 4

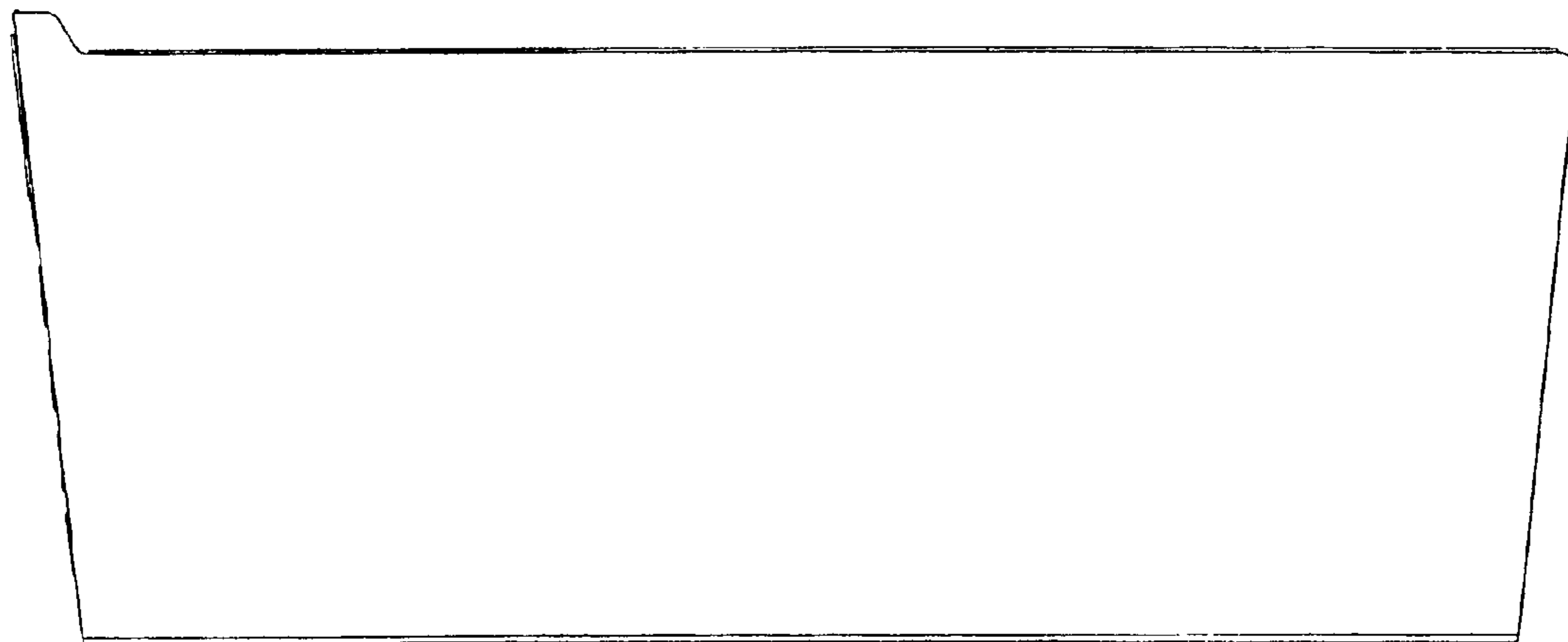


FIGURE 5

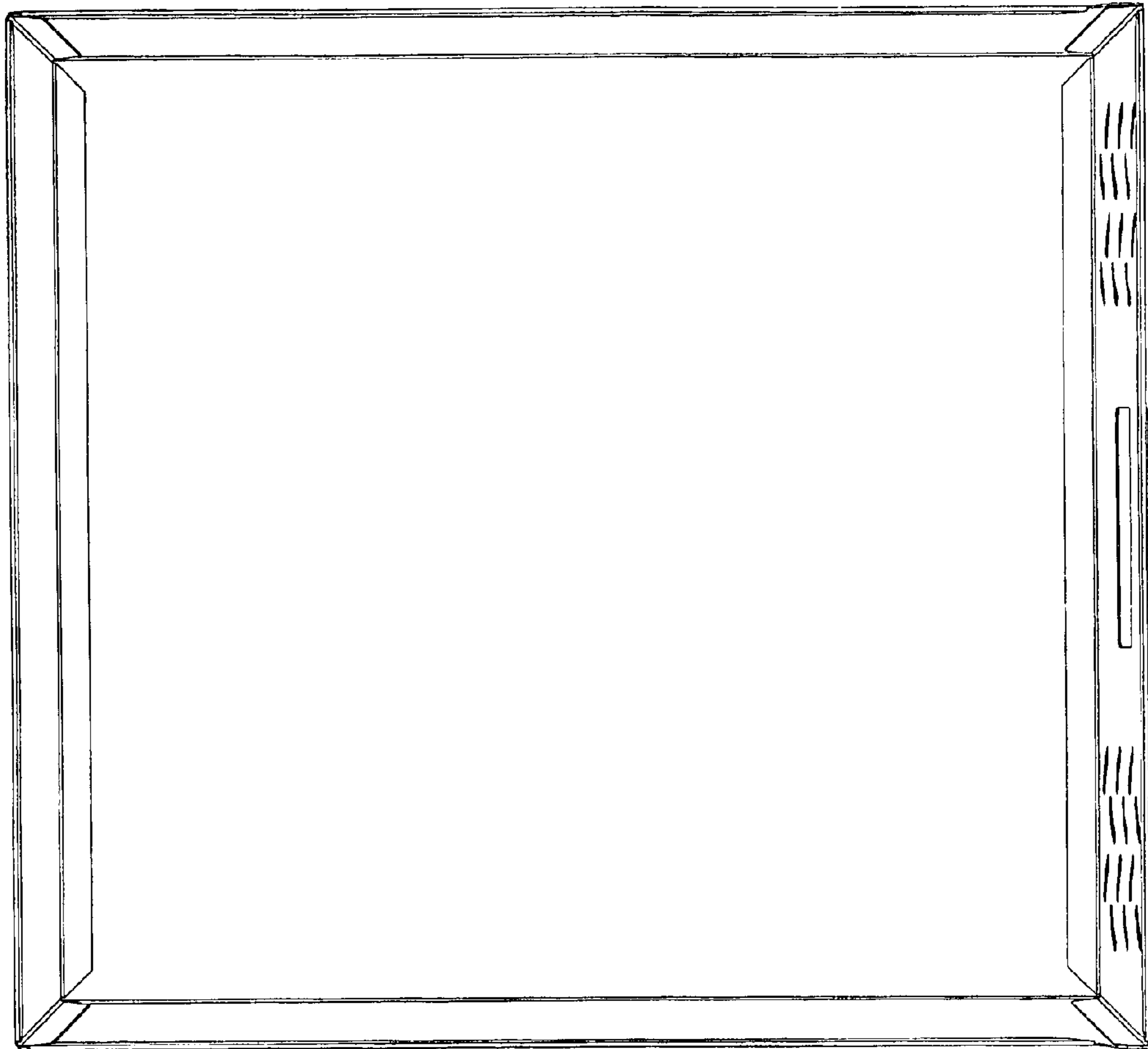


FIGURE 6