

US00D507390S

(12) **United States Design Patent**  
**Schmidt et al.**

(10) **Patent No.:** **US D507,390 S**  
(45) **Date of Patent:** **\*\* Jul. 12, 2005**

(54) **MODULAR DRAWERS**

D413,457 S \* 9/1999 Verbeek et al. .... D6/445  
D419,333 S \* 1/2000 Verbeek et al. .... D6/445  
D459,611 S \* 7/2002 Lio et al. .... D6/432

(75) Inventors: **Duane A. Schmidt**, Newburgh, IN  
(US); **Allan R. Steinkuhl**, Evansville,  
IN (US); **Joseph L. Coleman**,  
Evansville, IN (US)

\* cited by examiner

*Primary Examiner*—Holly Baynham

(73) Assignee: **Whirlpool Corporation**, Benton  
Harbor, MI (US)

(74) *Attorney, Agent, or Firm*—John F. Colligan; Robert O.  
Rice; Stephen Krefman

(\*\*) Term: **14 Years**

(57) **CLAIM**

The ornamental design for modular drawers, as shown and  
described.

(21) Appl. No.: **29/217,168**

(22) Filed: **Nov. 12, 2004**

**DESCRIPTION**

**Related U.S. Application Data**

(62) Division of application No. 29/173,442, filed on Dec. 30,  
2002.

(51) **LOC (8) Cl.** ..... **12-02**

(52) **U.S. Cl.** ..... **D34/27**

(58) **Field of Search** ..... D34/1, 12, 27;  
D14/189, 193; D6/432, 396, 397, 441,  
443, 446, 445, 448; D8/375; 312/334.41,  
334.46, 218

FIG. 1 is a left front perspective view of the design of the  
modular drawers;

FIG. 2 is a front elevational view thereof. The ornamental  
design is not visible in a top plan view or bottom view;

FIG. 3 is a right side elevational view thereof, the left side  
elevational view being a mirror image; and,

FIG. 4 is a rear elevational view thereof.

The characteristic feature of the ornamental design resides in  
the use of a pattern on the drawers of a modular drawers  
having wheels.

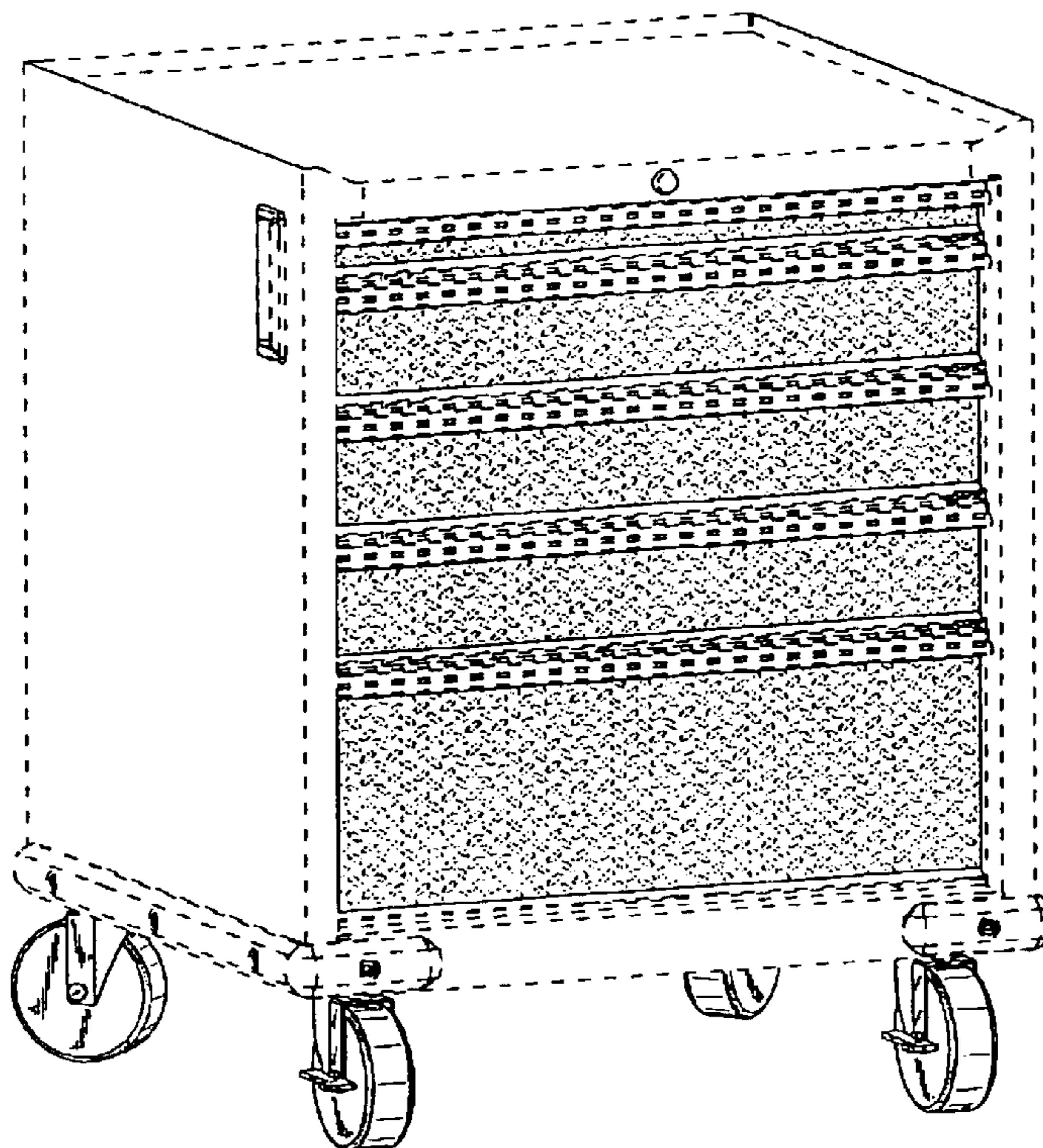
Those portions of modular drawers in broken lines, specifi-  
cally the surfaces of the modular drawers at the top and  
bottom edges of the drawers and surfaces extending back  
from the drawers including other surfaces of the modular  
drawers are for illustrative purposes only and are not part of  
the claimed invention.

(56) **References Cited**

**U.S. PATENT DOCUMENTS**

982,767 A \* 1/1911 Dunham ..... 312/218  
5,292,191 A \* 3/1994 Slivon ..... 312/332.1  
D349,043 S \* 7/1994 Carlson et al. .... D8/375

**1 Claim, 4 Drawing Sheets**



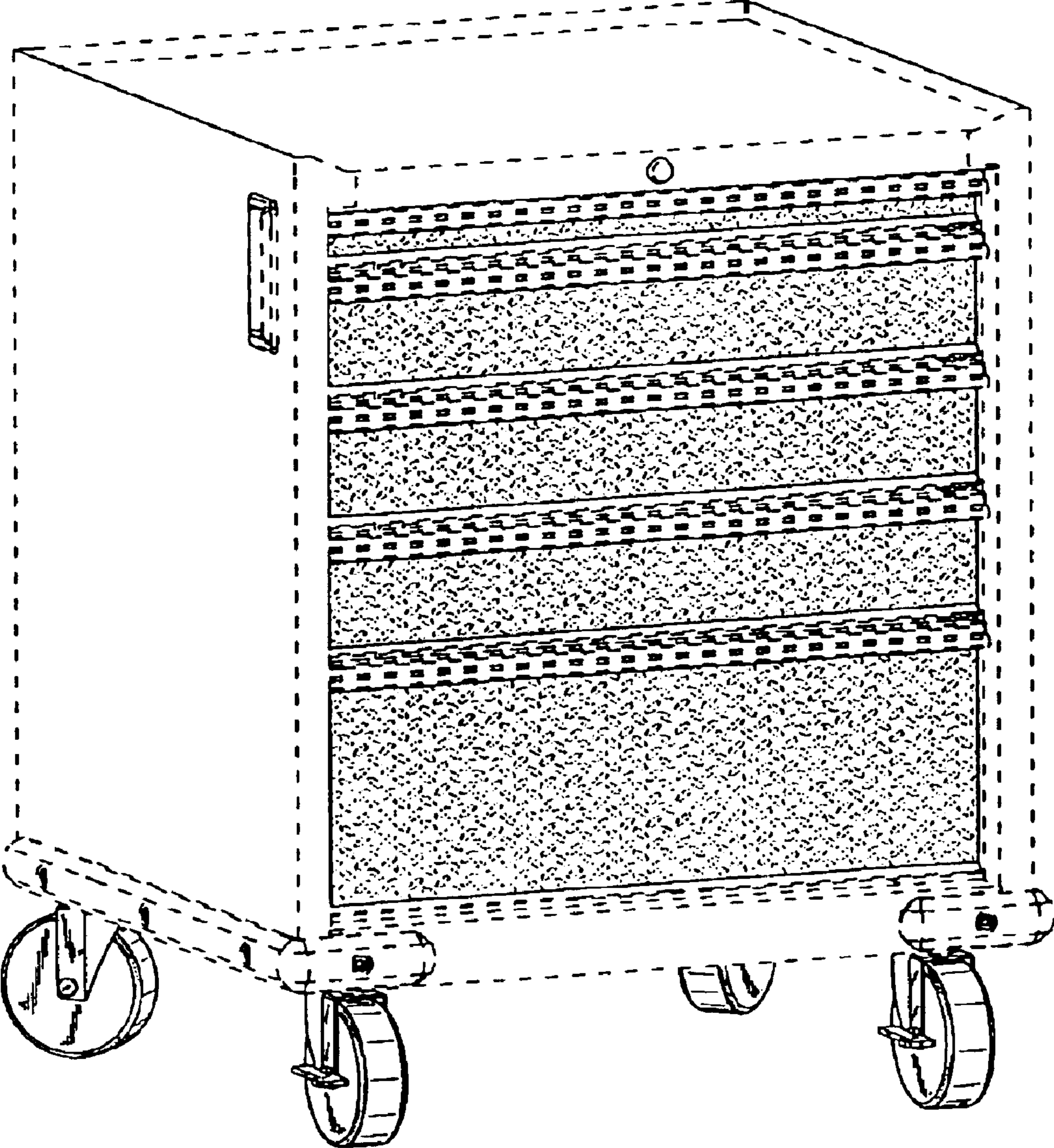


Fig. 1



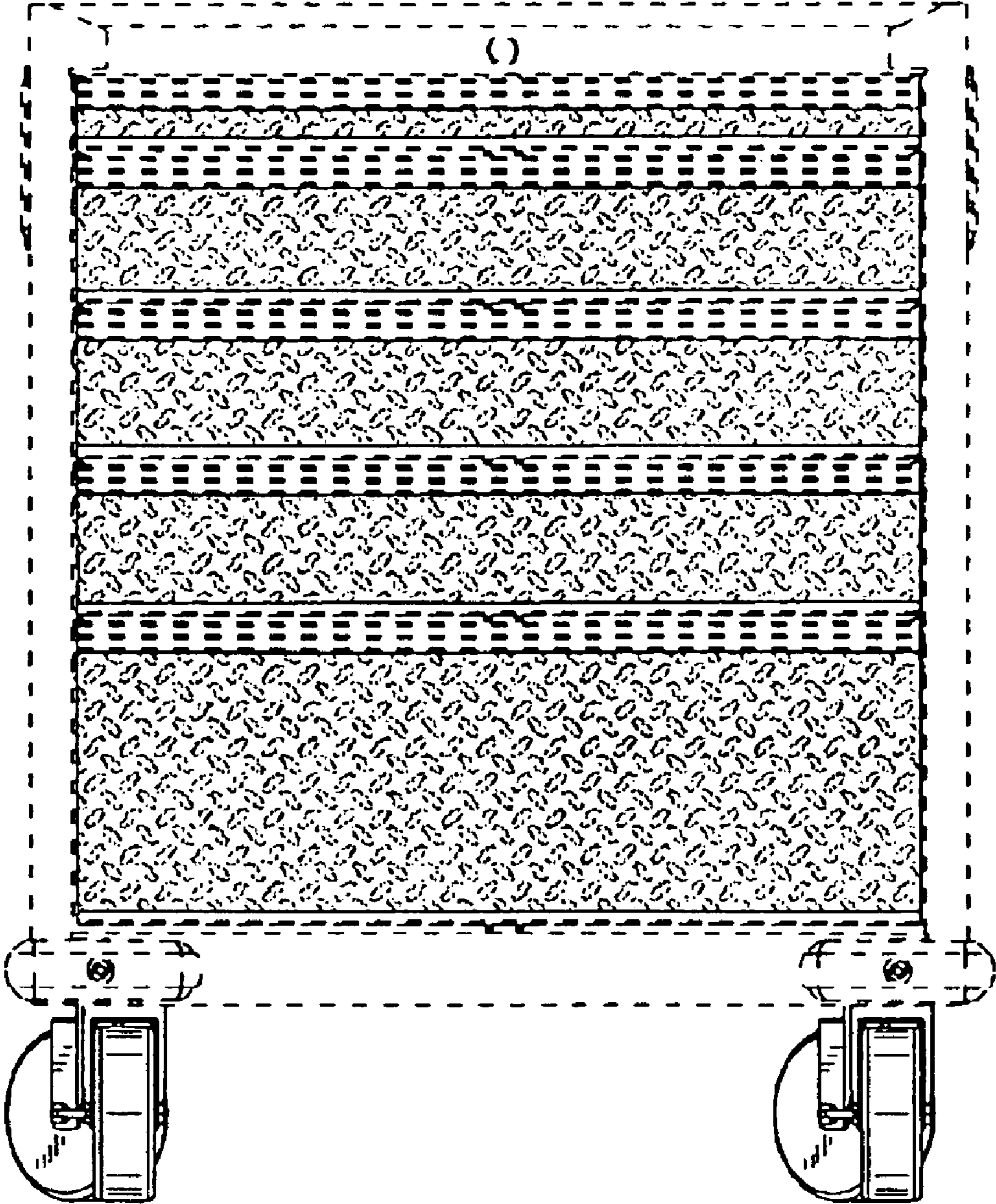
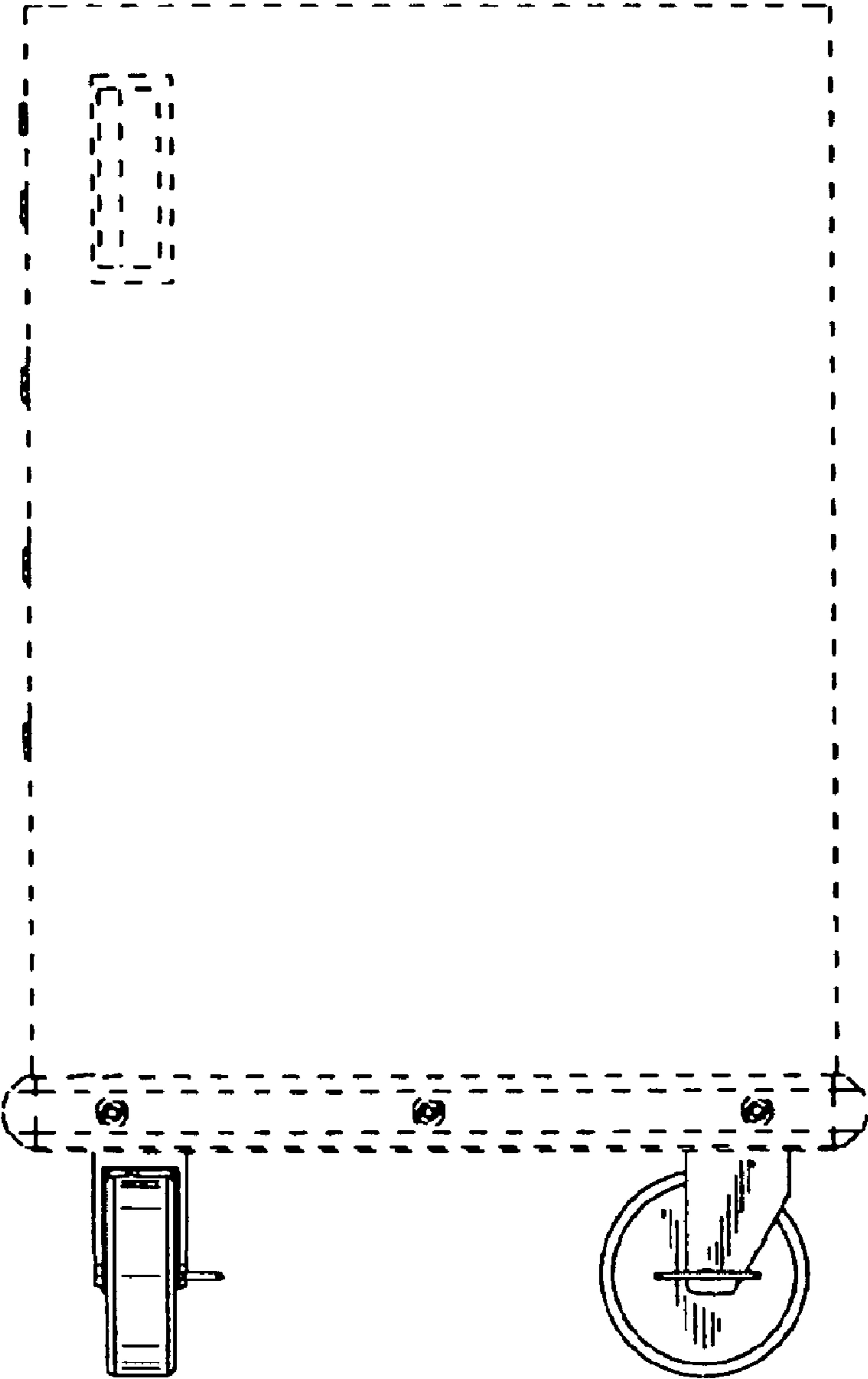
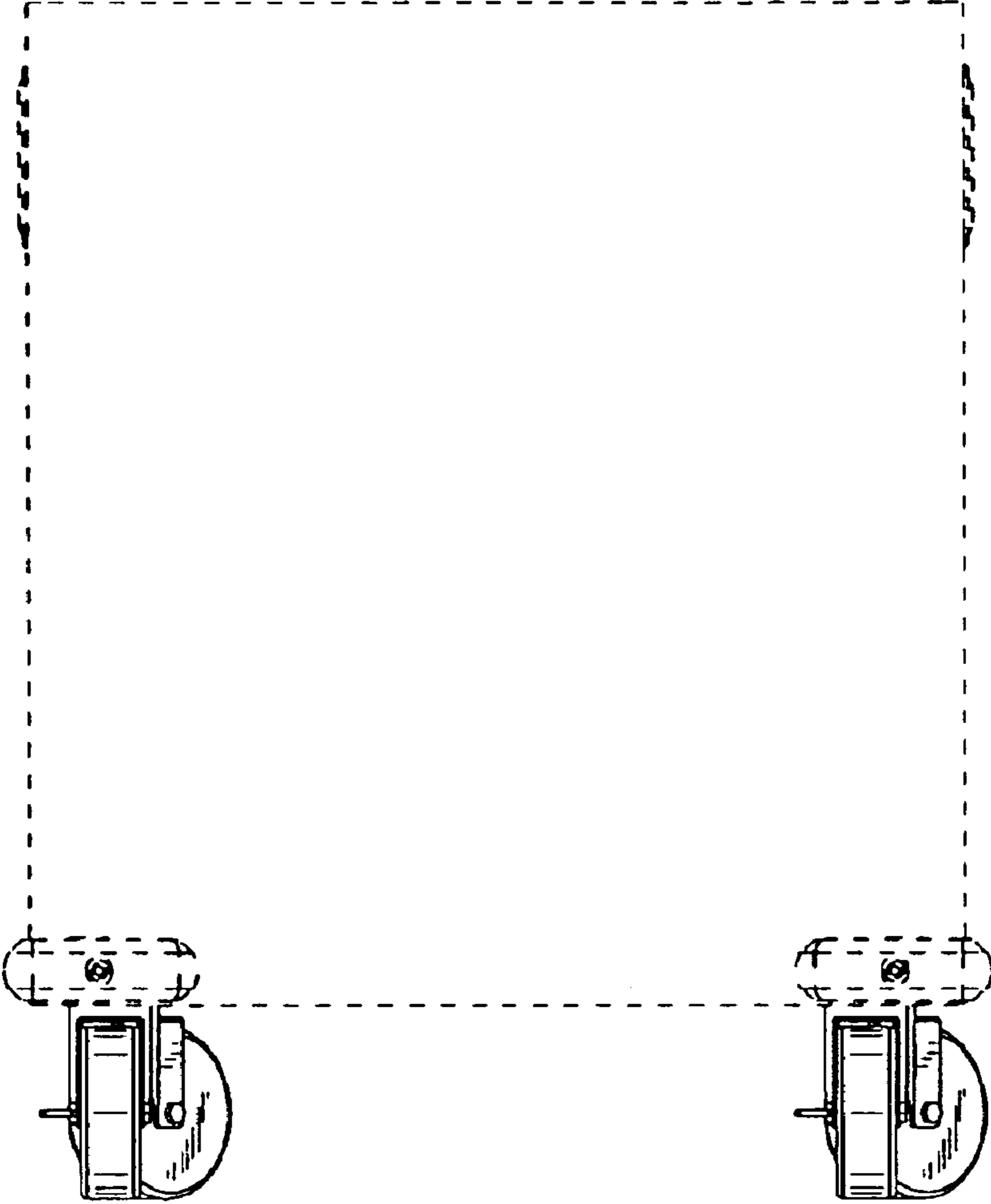


Fig. 2



**Fig. 3**



**Fig. 4**