

US00D507386S

(12) **United States Design Patent** (10) **Patent No.:** **US D507,386 S**
Griffin et al. (45) **Date of Patent:** **** Jul. 12, 2005**

(54) **COMBINATION WET/DRY VACUUM CLEANER HEAD**
(75) Inventors: **John Griffin**, Phoenix, AZ (US); **Kevin Fry**, South Williamsport, PA (US); **Robert L. Crevling, Jr.**, Cogan Station, PA (US)
(73) Assignee: **Shop Vac Corporation**, Williamsport, PA (US)
(**) Term: **14 Years**

D426,355 S 6/2000 Rohn et al.
D426,359 S 6/2000 Griffin et al.
D429,856 S 8/2000 Griffin
D438,353 S 2/2001 Hoshino et al.
D438,678 S 3/2001 Griffin
D439,710 S 3/2001 Griffin
6,243,913 B1 * 6/2001 Frank et al. 15/320
D447,293 S 8/2001 Griffin
D466,659 S 12/2002 Griffin
D469,934 S 2/2003 Fry et al.
D470,280 S 2/2003 Griffin et al.
D496,764 S * 9/2004 Lopano D32/21
D498,886 S * 11/2004 Fujii D32/21

(21) Appl. No.: **29/206,583**
(22) Filed: **Jun. 1, 2004**
(51) **LOC (8) Cl.** **15-05**
(52) **U.S. Cl.** **D32/21**
(58) **Field of Search** D32/21, 23-24, D32/31-33; 15/320-322, 327.1, 327.2, 327.4, 327.6, 327.7, 347, 353, 412, 414; 55/DIG. 3, 345

OTHER PUBLICATIONS

U.S. Appl. No. 29/206,484, filed Jun. 1, 2004, Griffin, et al. Karcher Catalogue, High Performance Wet and Dry Vacuum, Dust Extraction and Spray Extraction Machines, dated 1999 (2 pgs.).

* cited by examiner

Primary Examiner—Ruth McInroy
(74) *Attorney, Agent, or Firm*—Marshall, Gerstein & Borun LLP

(56) **References Cited**
U.S. PATENT DOCUMENTS

D318,544 S * 7/1991 Schoettler D32/24
D341,008 S * 11/1993 Berfield et al. D32/1
5,301,386 A * 4/1994 Thomas et al. 15/321
D358,010 S 5/1995 Berfield et al.
5,528,794 A 6/1996 Tomasiak
5,535,500 A 7/1996 Stephens et al.
D383,573 S * 9/1997 Saunders D32/21
D384,447 S * 9/1997 Lauer et al. D32/21
D386,842 S * 11/1997 Hoshino et al. D32/21
D388,565 S 12/1997 Pietroban
D389,962 S 1/1998 Berfield et al.
5,784,753 A * 7/1998 Kaczmarz et al. 15/319
5,954,863 A 9/1999 Loveless et al.
D422,764 S 4/2000 Wood
D424,764 S * 5/2000 Collins et al. D32/21
6,055,700 A 5/2000 Holsten et al.

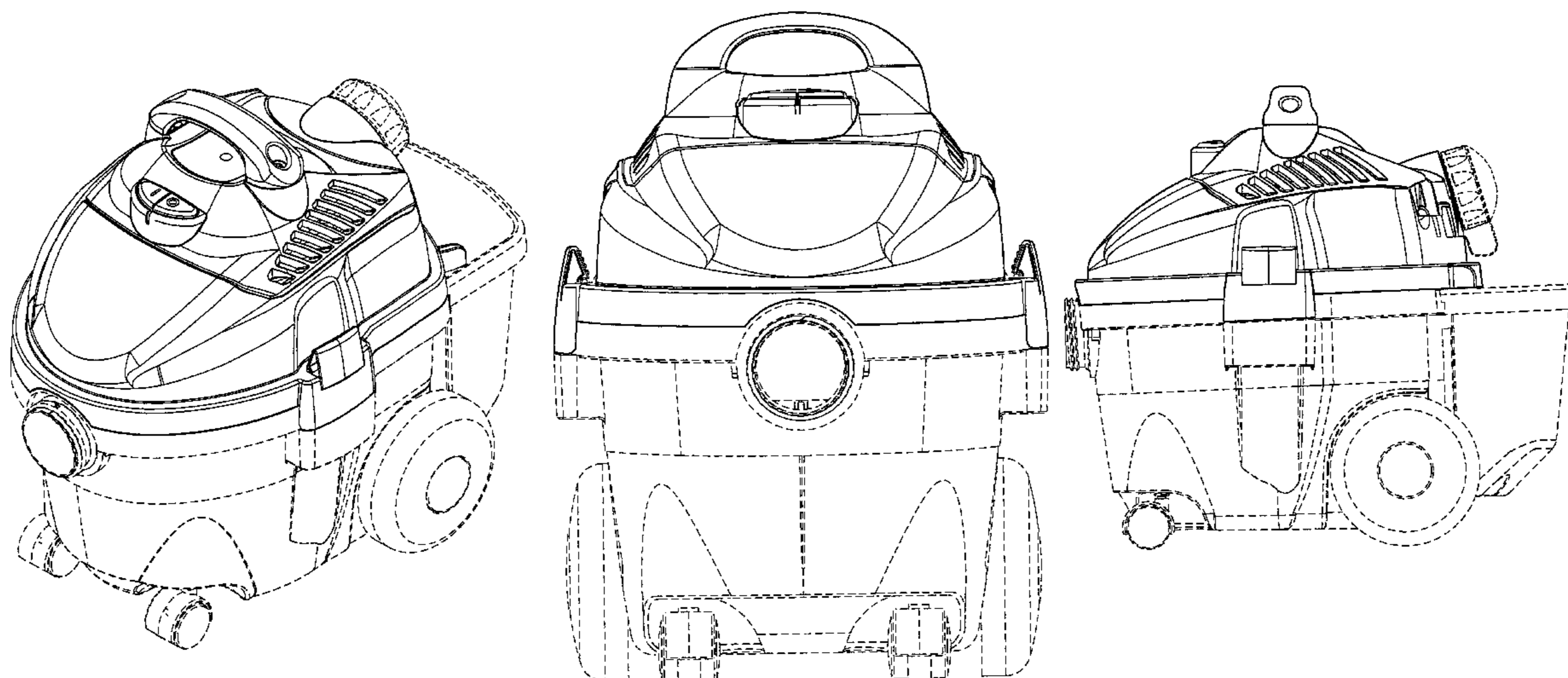
(57) **CLAIM**

The ornamental design for a “combination wet/dry vacuum cleaner head,” as shown and described.

DESCRIPTION

FIG. 1 is a left side perspective view of a combination wet/dry vacuum cleaner head showing our new design; FIG. 2 is a front elevational view thereof; FIG. 3 is a rear elevational view thereof; FIG. 4 is a left side elevational view; the right side elevational view being a mirror image thereof; and, FIG. 5 is a top plan view thereof. The details shown in broken lines are for illustrative purposes only and form no part of the claimed design.

1 Claim, 5 Drawing Sheets



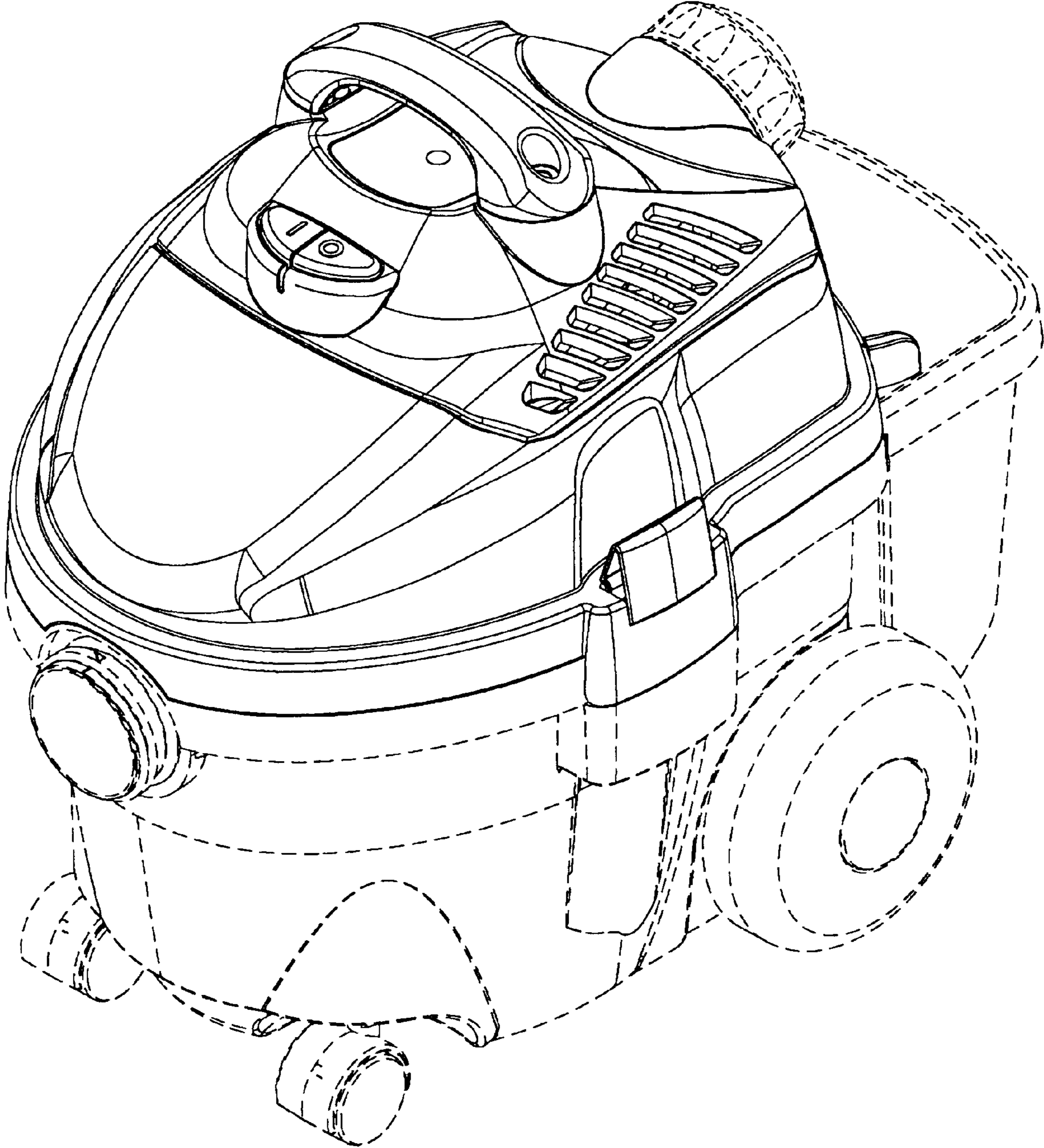


FIG. 2

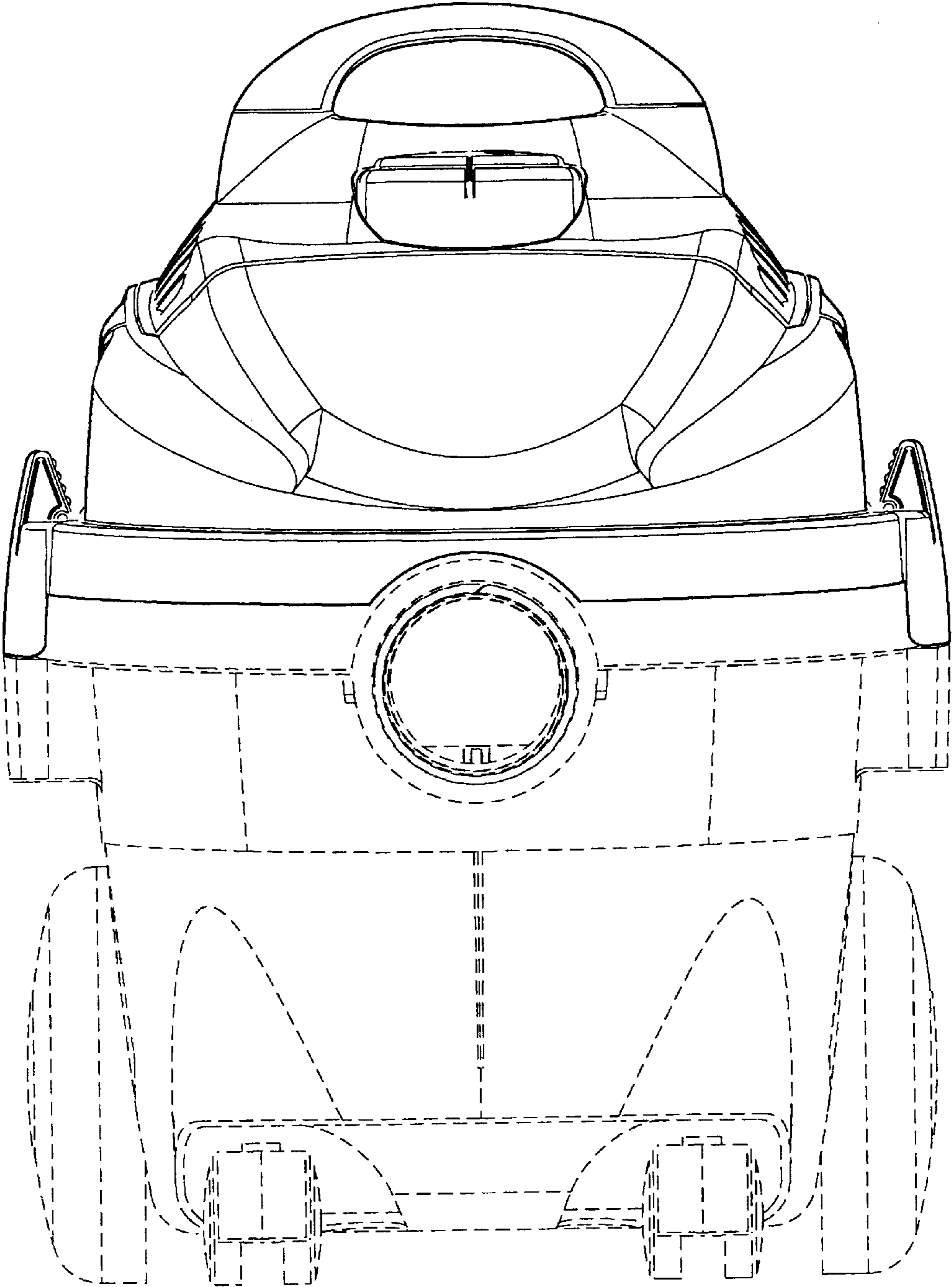


FIG. 3

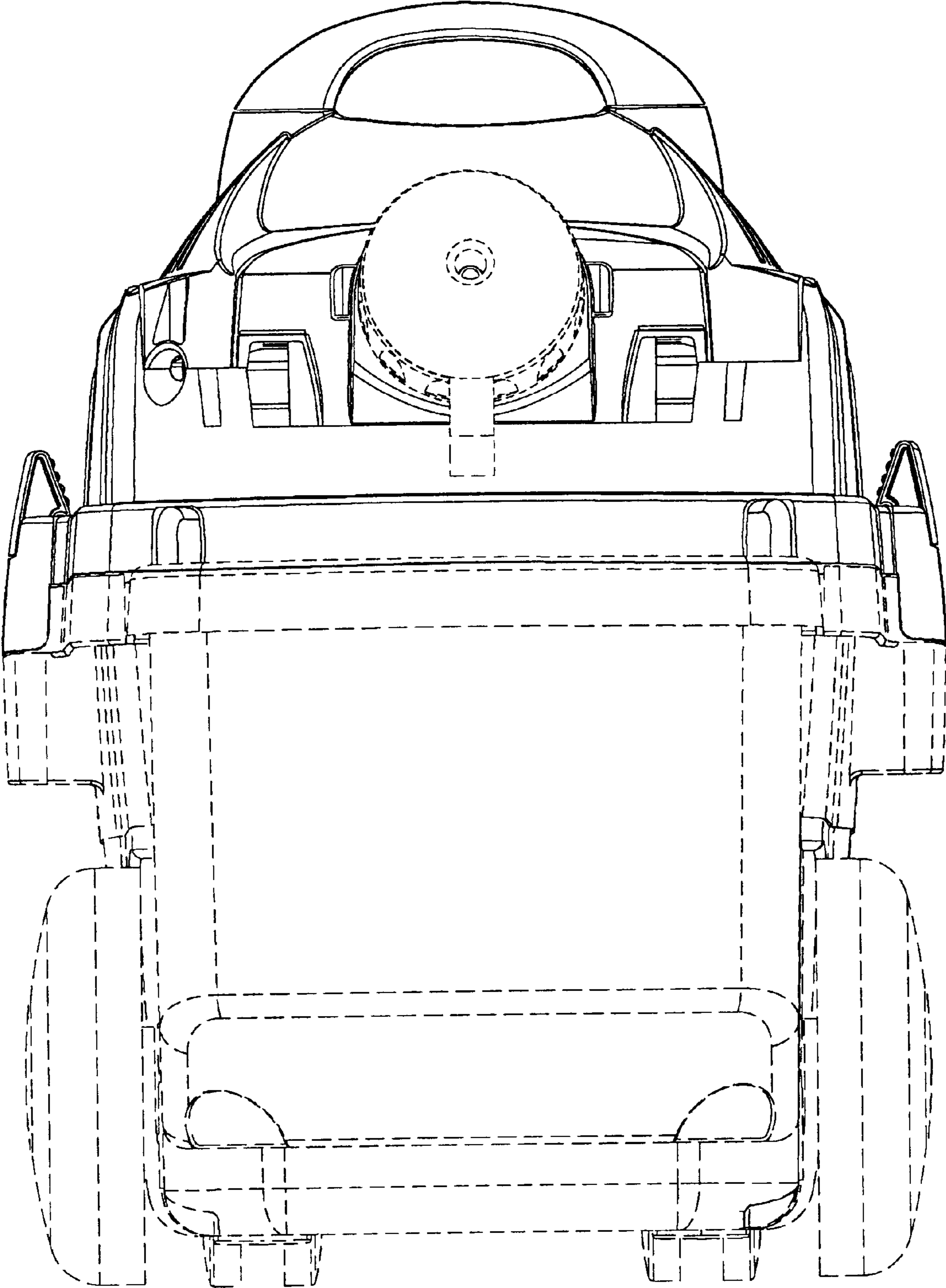


FIG. 4

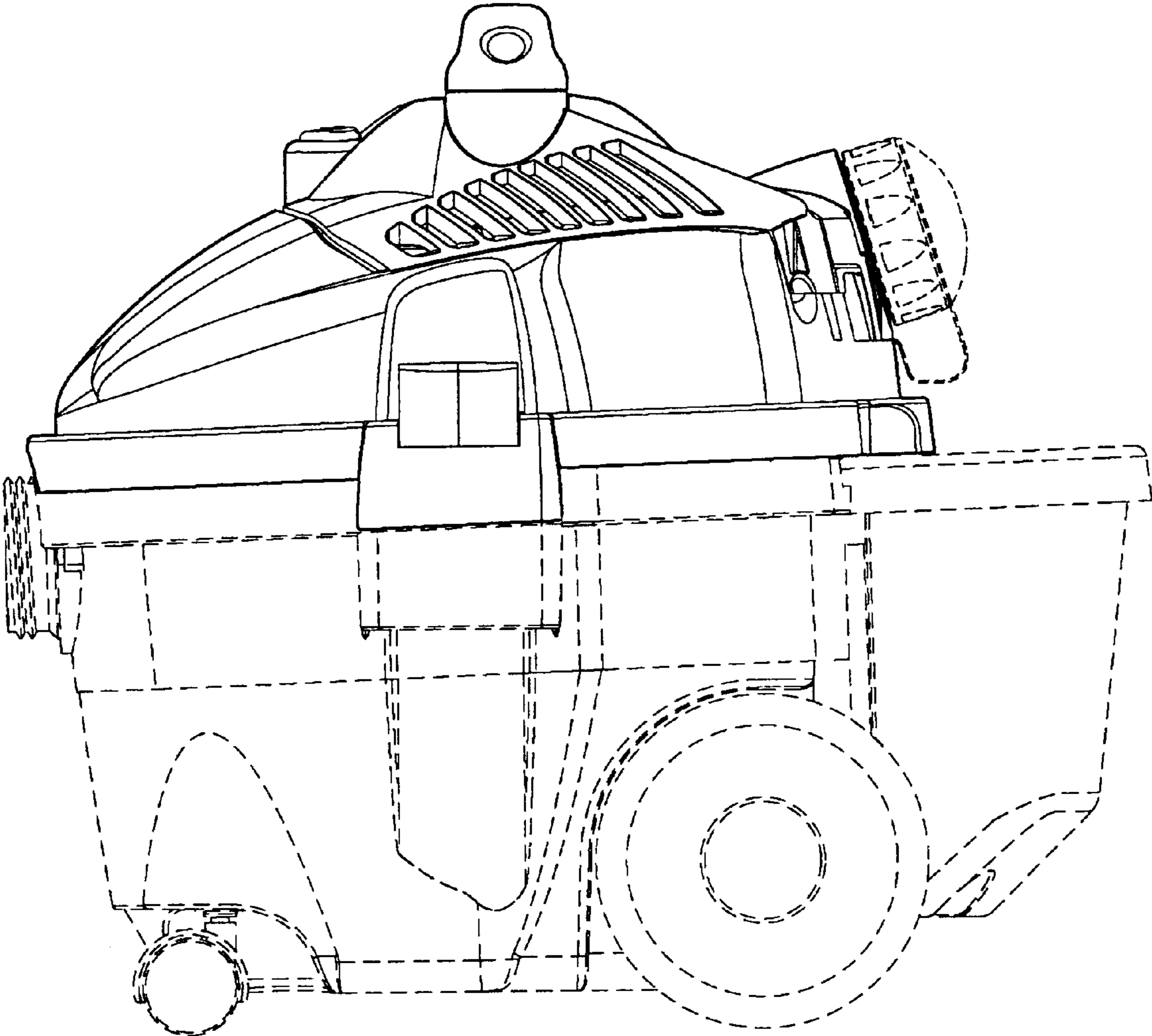


FIG. 5

