

US00D507384S

(12) **United States Design Patent** (10) **Patent No.:** **US D507,384 S**
Tsuruha et al. (45) **Date of Patent:** **** Jul. 12, 2005**

(54) **COMBINED DISH WASHING MACHINE AND DRYING MACHINE**

(75) Inventors: **Toshiaki Tsuruha, Ikoma (JP); Masaru Kobayashi, Nara (JP)**

(73) Assignee: **Matsushita Electric Industrial Co., Ltd., Osaka (JP)**

(**) Term: **14 Years**

(21) Appl. No.: **29/201,842**

(22) Filed: **Mar. 22, 2004**

(30) **Foreign Application Priority Data**

Oct. 6, 2003 (JP) 2003-029301

(51) **LOC (8) Cl.** **15-05**

(52) **U.S. Cl.** **D32/3**

(58) **Field of Search** D32/1-3, 5, 6, D32/8, 25, 28; D7/340, 405, 348-351; 68/212; 312/31, 228, 228.1, 204; 134/113, 201, 57 D, 57 DL, 56 D, 58 D, 56 DL

(56) **References Cited**

U.S. PATENT DOCUMENTS

- D182,968 S 6/1958 Linger et al.
- D191,224 S 8/1961 Fay
- D208,942 S 10/1967 Sandin
- D320,487 S * 10/1991 Marks et al. D32/3
- 5,115,822 A 5/1992 Nichols
- D373,860 S * 9/1996 Manke D32/3
- D385,071 S * 10/1997 Hughes et al. D32/3
- D403,471 S 12/1998 Brace
- D424,257 S 5/2000 Umeda et al.
- D495,103 S * 8/2004 Kaczmarek D32/3
- D495,104 S * 8/2004 Kaczmarek D32/3

FOREIGN PATENT DOCUMENTS

JP D914019 11/1994

- JP D916708 1/1995
- JP D1006257 3/1998
- JP D1006257/1 3/1998
- JP D1072792 6/2000
- JP D1103007 3/2001
- JP D1141692 5/2002
- JP D1157937 11/2002
- JP D1169620 4/2003

* cited by examiner

Primary Examiner—Louis S. Zarfes

Assistant Examiner—John Windmuller

(74) *Attorney, Agent, or Firm*—Brinks Hofer Gilson & Lione

(57) **CLAIM**

We claim the ornamental design for a combined dish washing machine and drying machine, as shown and described.

DESCRIPTION

FIG. 1 is a top perspective view of a combined dish washing machine and drying machine of the present invention;

FIG. 2 is a front view thereof;

FIG. 3 is a first side view thereof;

FIG. 4 is a second side view thereof;

FIG. 5 is a top view thereof;

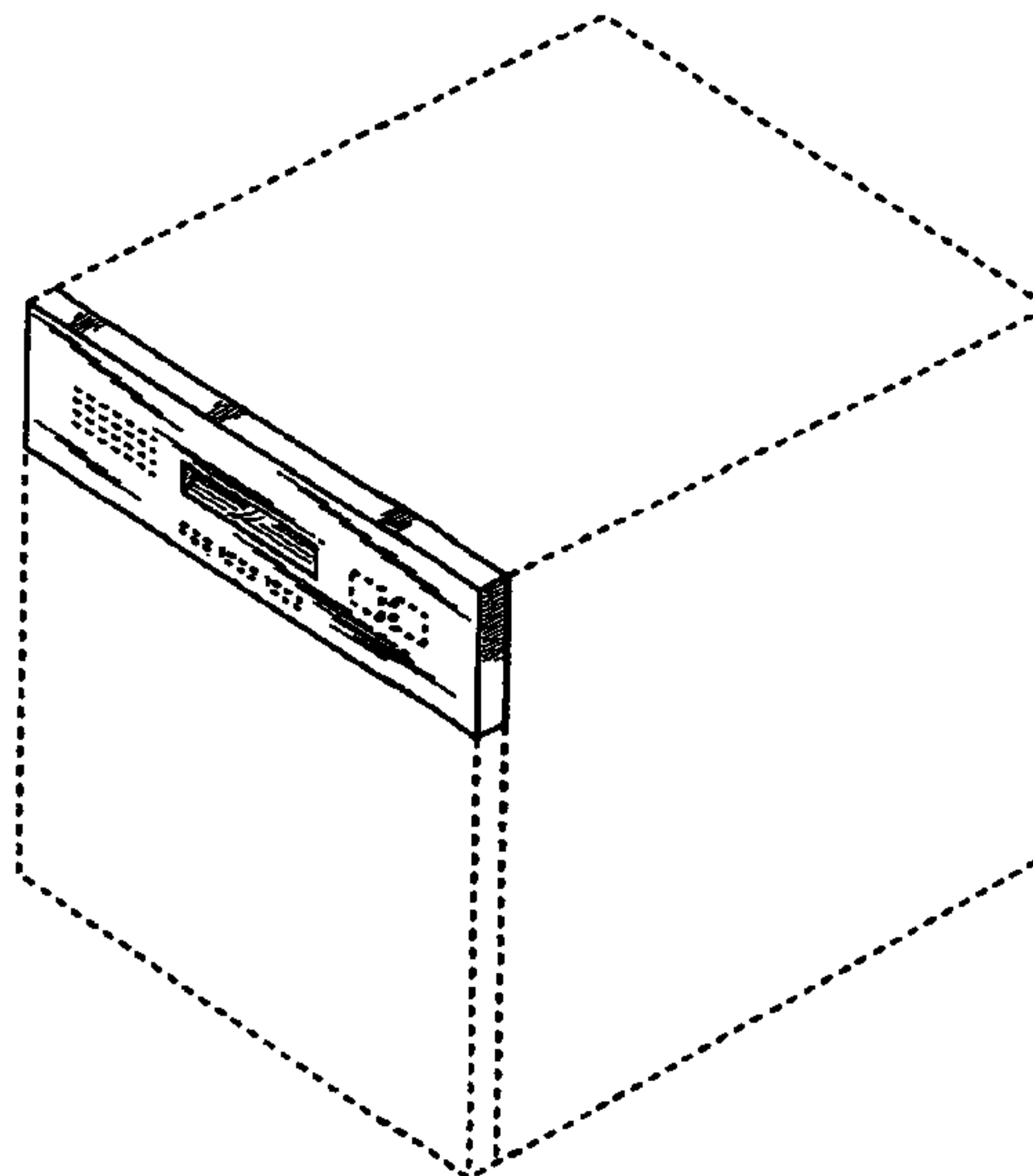
FIG. 6 is a bottom view thereof;

FIG. 7 is a rear view thereof; and,

FIG. 8 is a top perspective view thereof, wherein the door of the combined dish washing machine and drying machine of the present invention is in an open position.

The ornamental design which is claimed is shown in solid lines in the drawings. Any broken lines in the drawings are for illustrative purposes only and form no part of the claimed design.

1 Claim, 8 Drawing Sheets



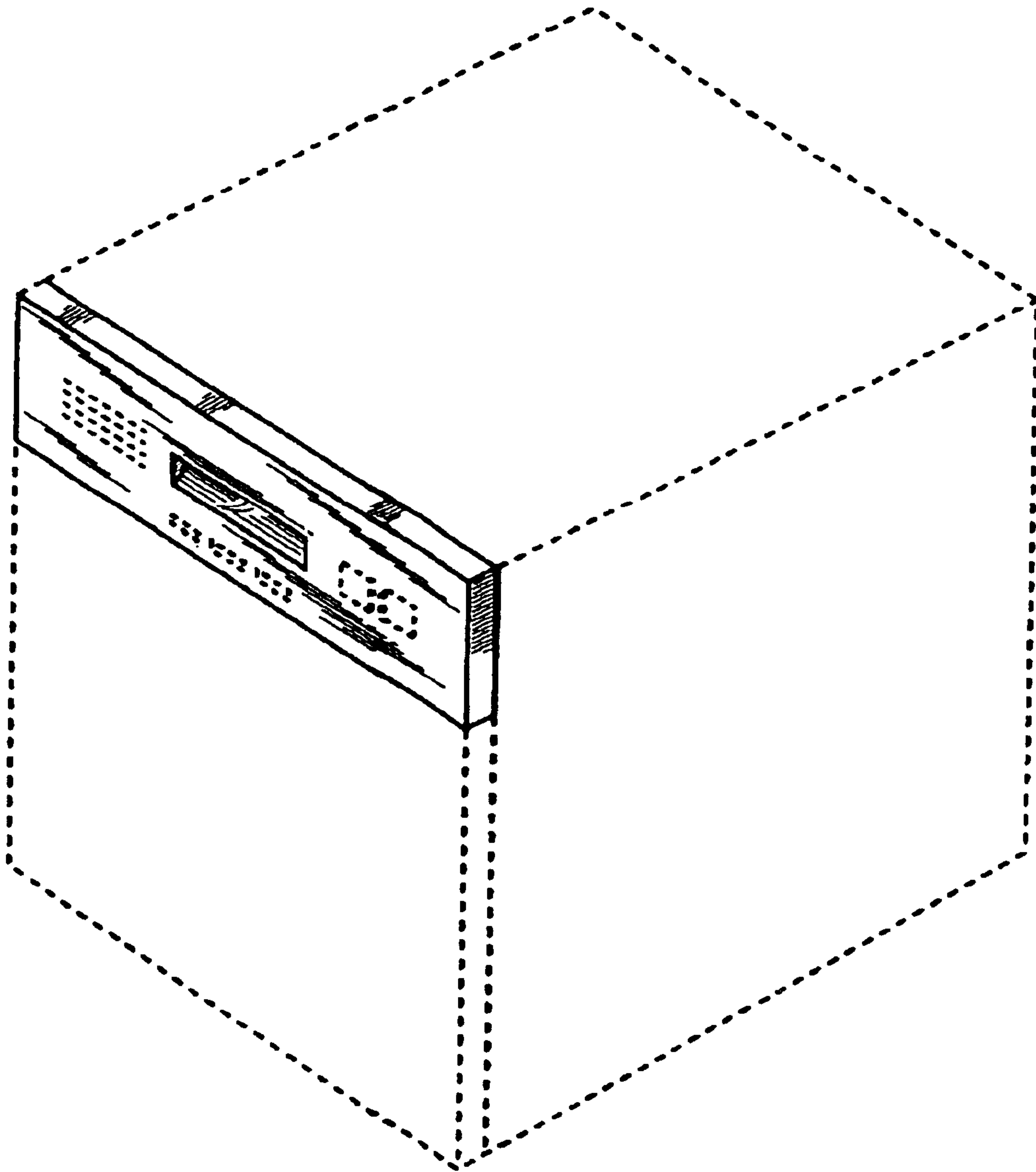


FIG. 1

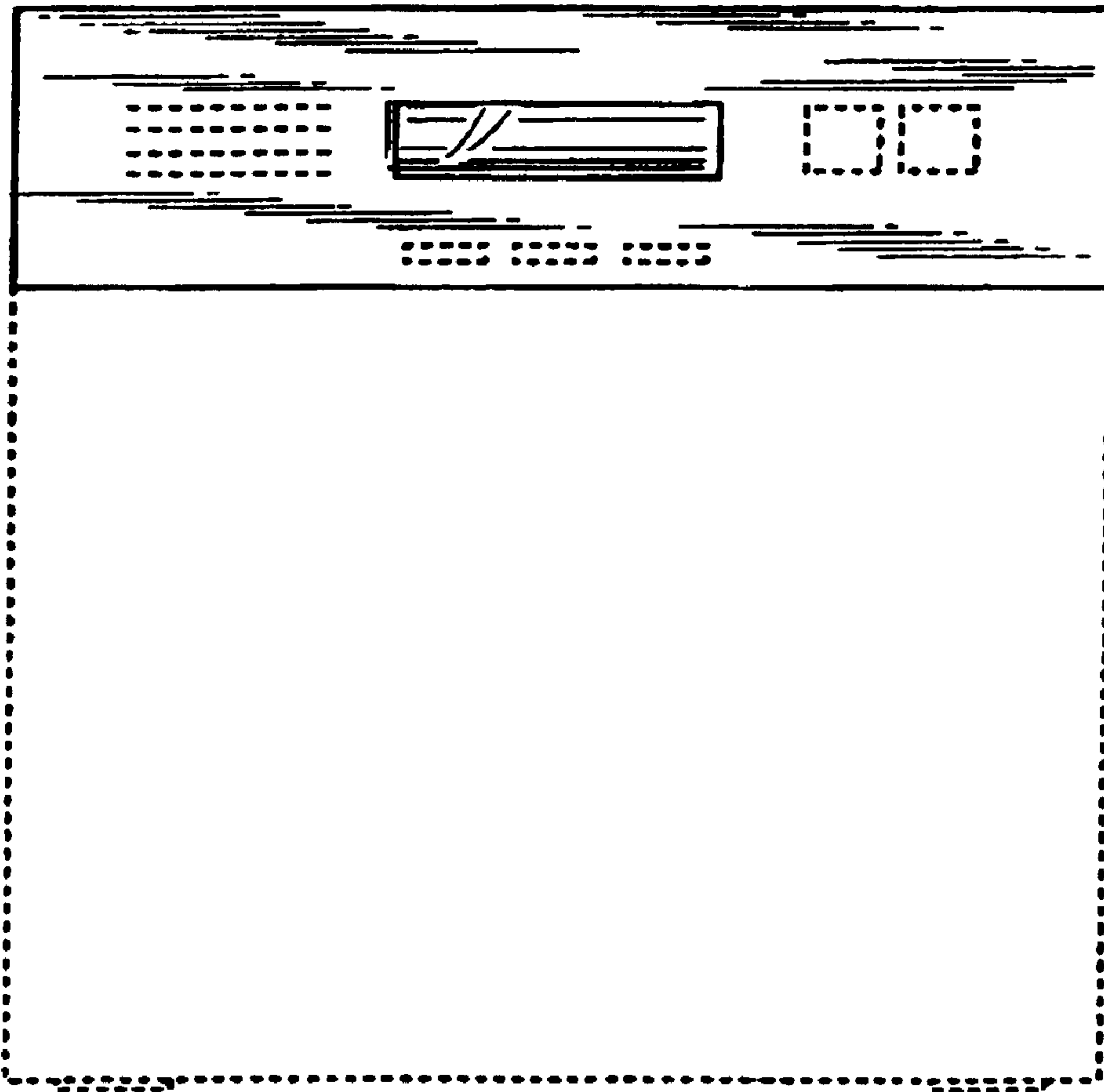


FIG. 2

FIG 3

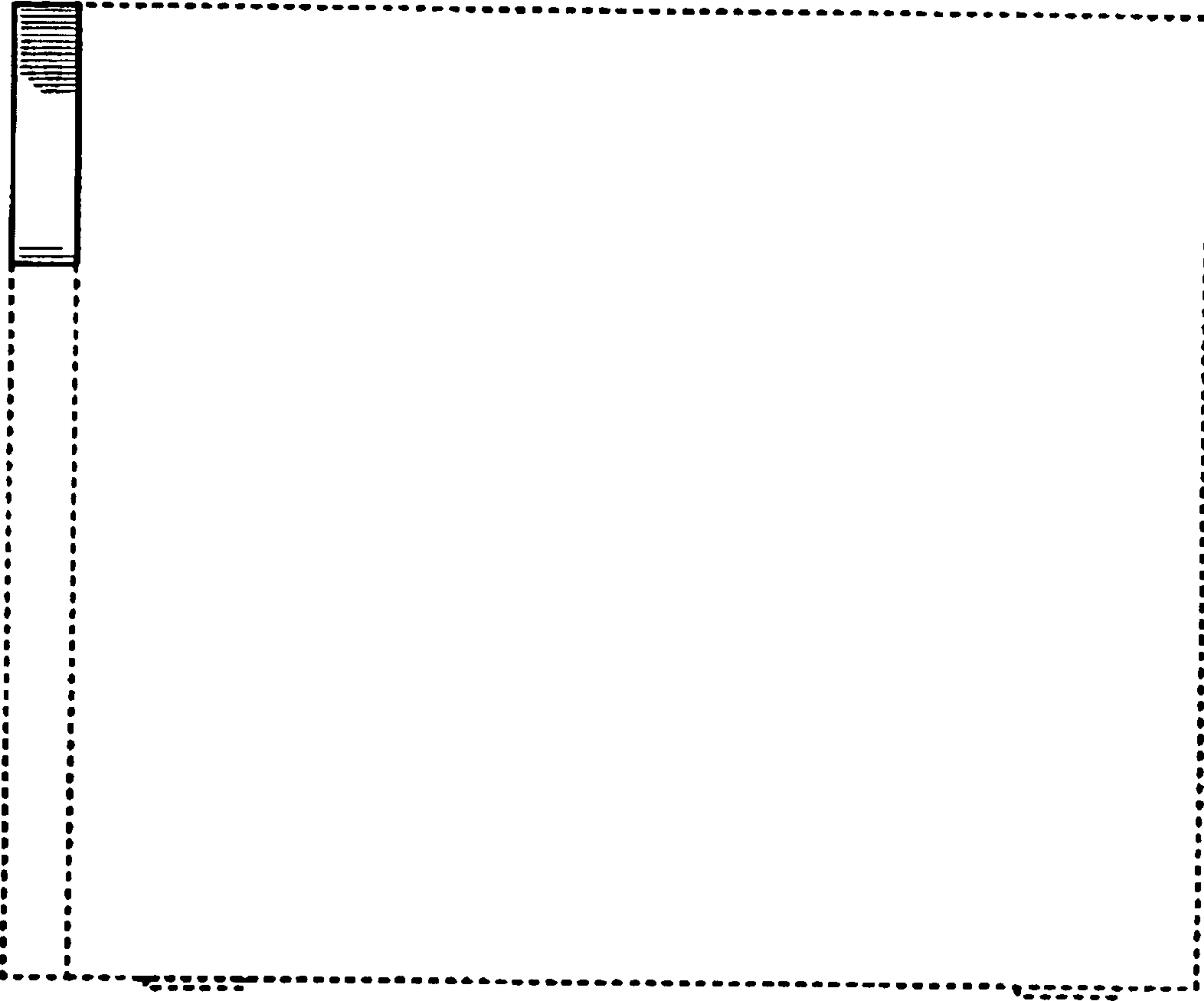


FIG 4

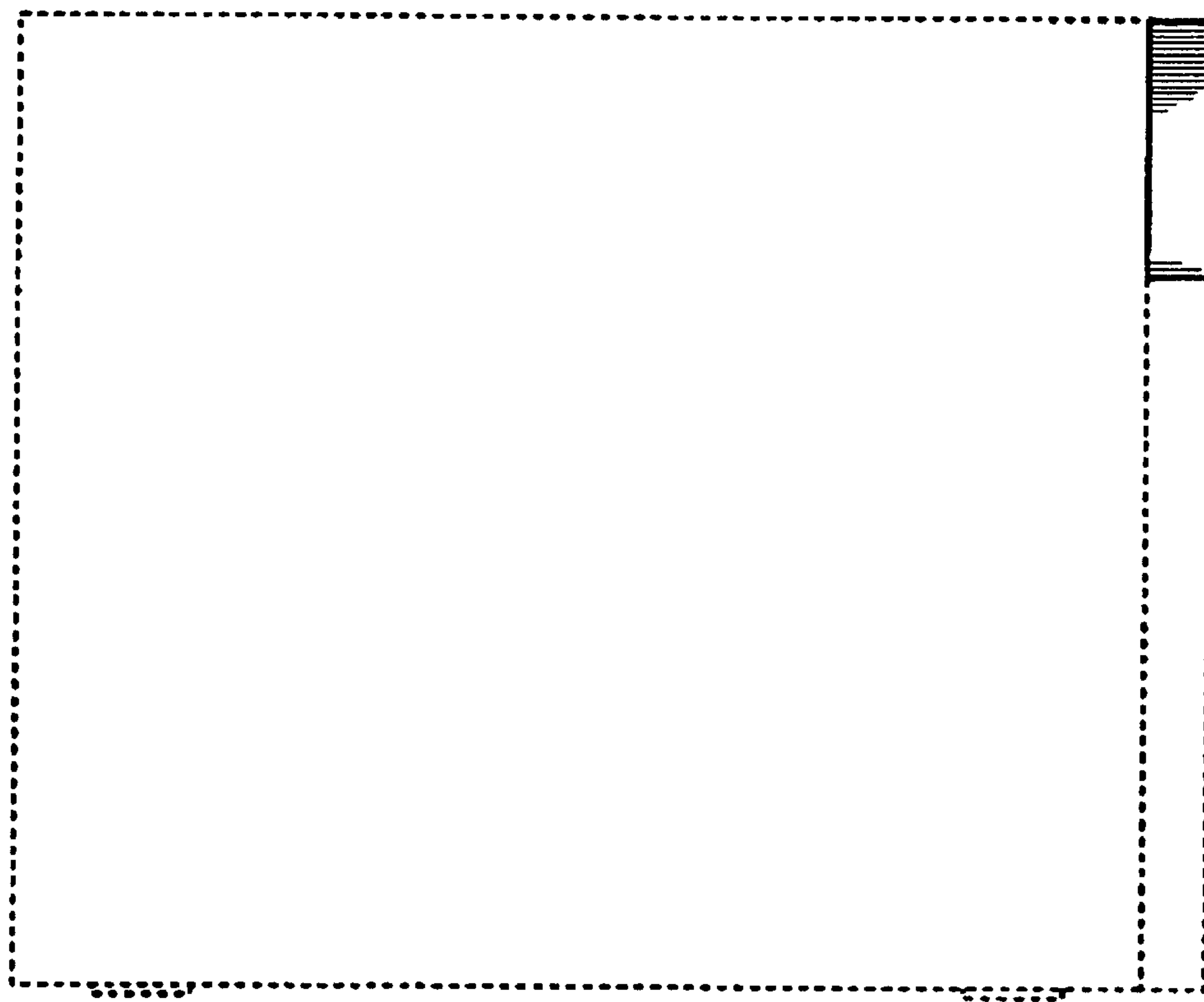


FIG 5



FIG 6

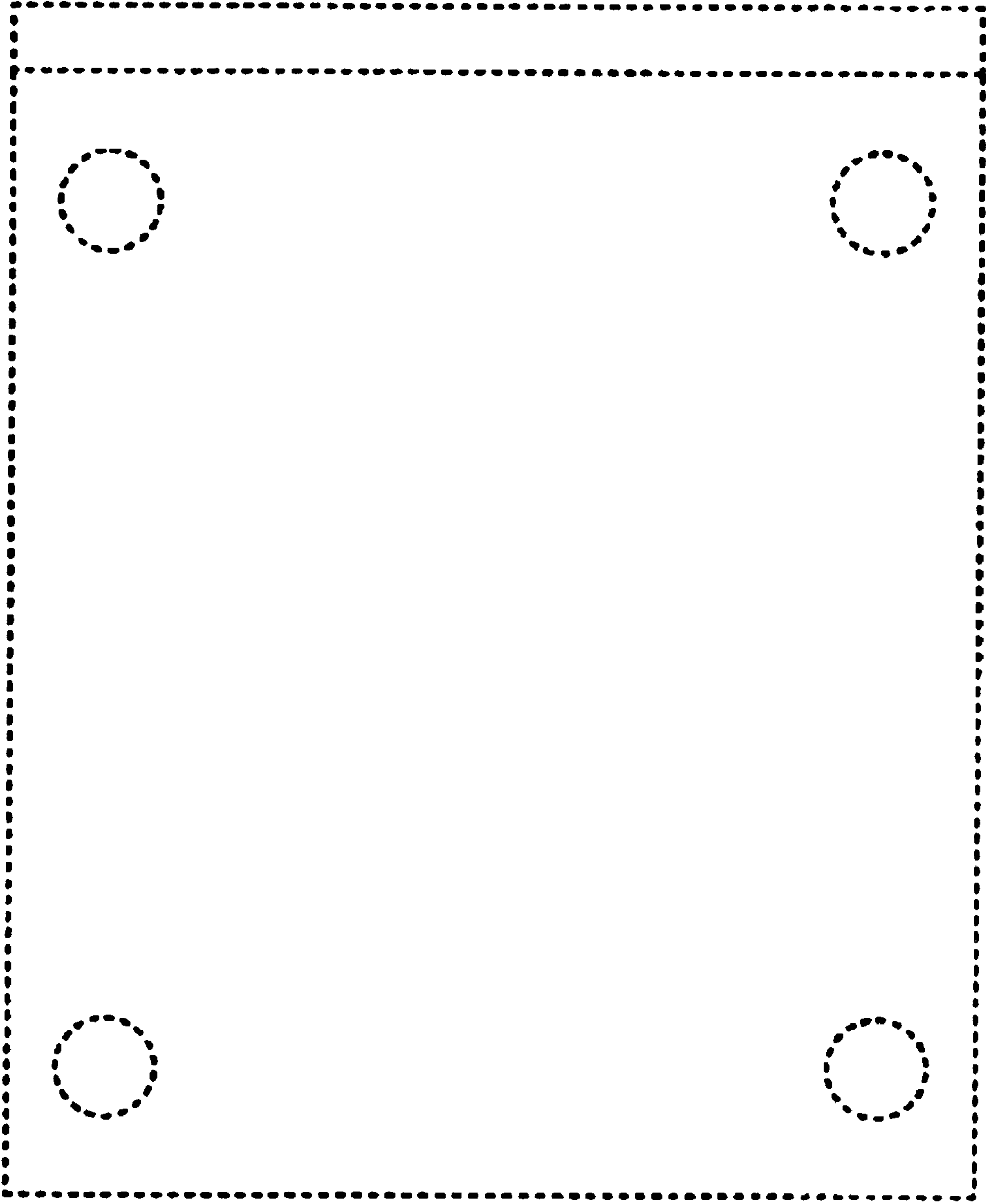
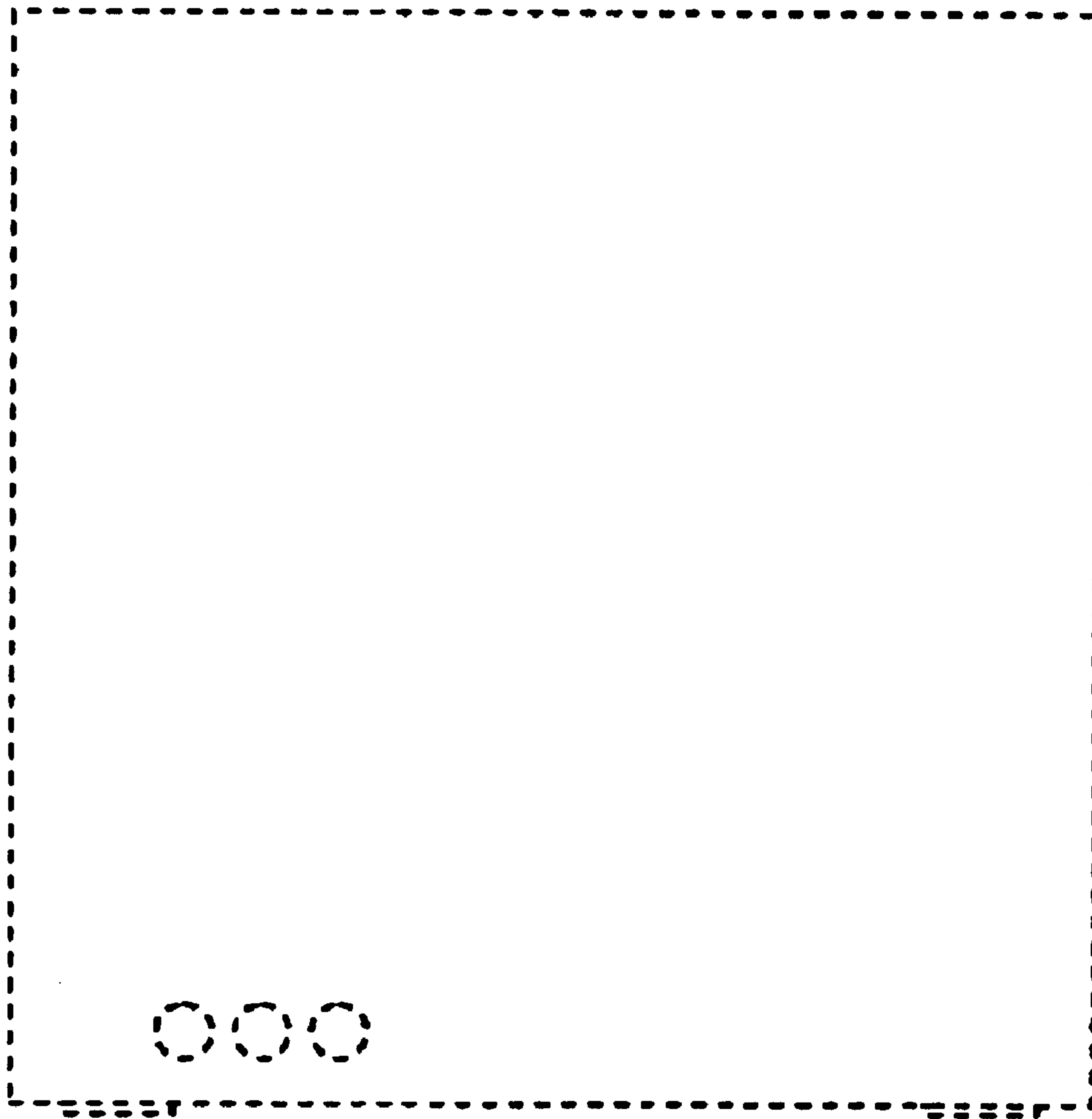


FIG 7



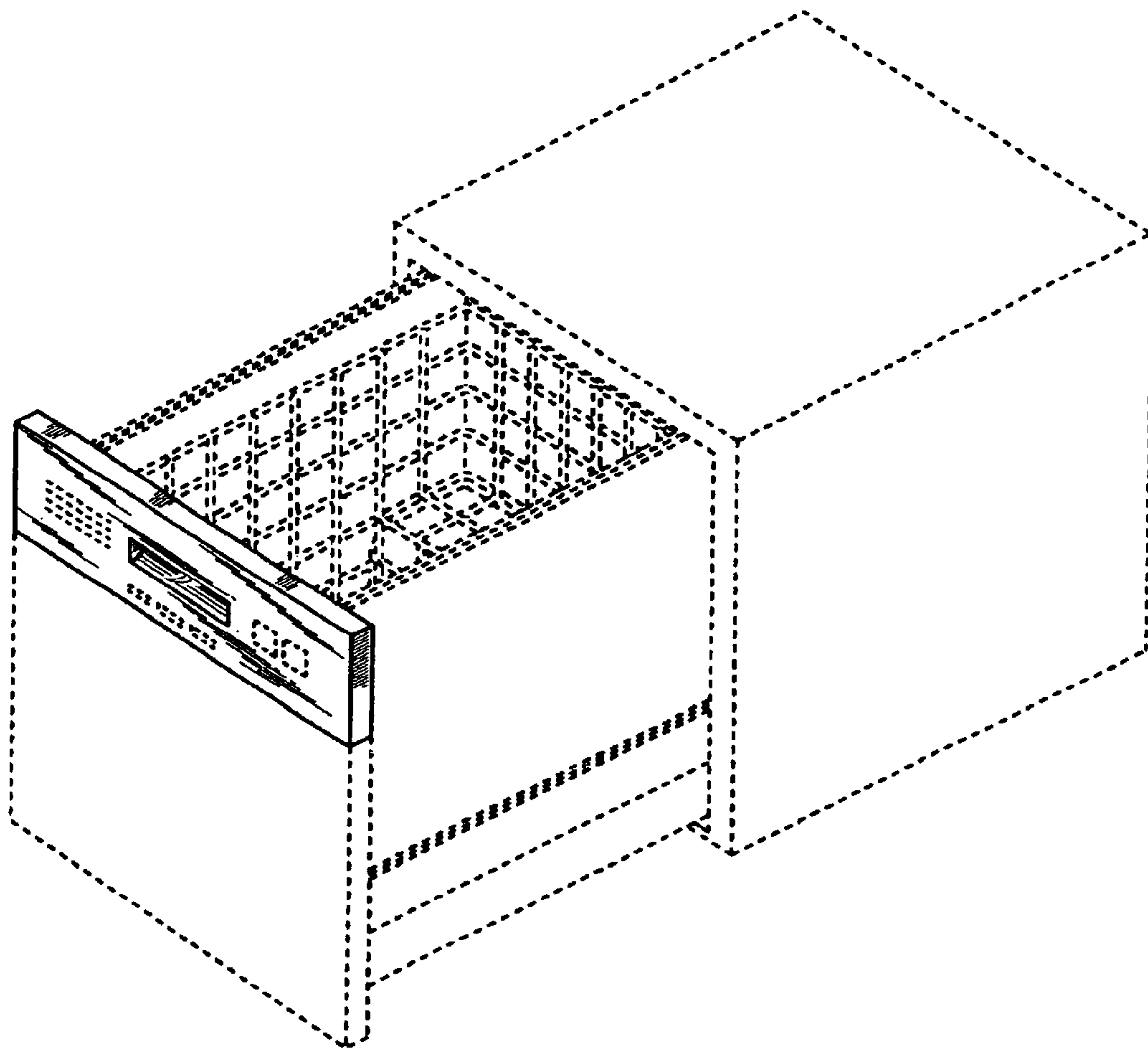


FIG. 8