

US00D507377S

(12) **United States Design Patent**
Kling

(10) **Patent No.:** **US D507,377 S**
(45) **Date of Patent:** **** Jul. 12, 2005**

(54) **ATTACHMENT FOR AN EPILATION HEAD**

(75) **Inventor:** **Björn Kling**, Frankfurt am Main (DE)

(73) **Assignee:** **Braun GmbH**, Kronberg

(**) **Term:** **14 Years**

(21) **Appl. No.:** **29/206,191**

(22) **Filed:** **May 27, 2004**

(30) **Foreign Application Priority Data**

Nov. 27, 2003 (EM) 000 10 7479

(51) **LOC (8) Cl.** **28-03**

(52) **U.S. Cl.** **D28/44.1**

(58) **Field of Search** D28/44, 44.1,
D28/45-48; 606/131, 133

(56) **References Cited**

U.S. PATENT DOCUMENTS

D421,154 S * 2/2000 Schneider et al. D28/44.1

D438,341 S * 2/2001 Schneider et al. D28/44.1

6,287,190 B1 * 9/2001 Inoue et al. 606/133
6,322,569 B1 * 11/2001 Sueyoshi et al. 606/133
D482,821 S * 11/2003 Seifert D28/44.1
6,740,097 B1 * 5/2004 Sanchez-Martinez 606/133

* cited by examiner

Primary Examiner—Jennifer Rivard

(74) *Attorney, Agent, or Firm*—Fish & Richardson P.C.

(57) **CLAIM**

The ornamental design for an attachment for an epilation head, as shown and described.

DESCRIPTION

FIG. 1 is a perspective view of an attachment for an epilation head from above, showing my design;
FIG. 2 is a top plan view of the appliance thereof;
FIG. 3 is a front view of the appliance thereof
FIG. 4 is a rear side view of the appliance thereof;
FIG. 5 is a right side view of the appliance thereof;
FIG. 6 is a left side view of the appliance thereof; and,
FIG. 7 is bottom plan view of the appliance thereof.

1 Claim, 2 Drawing Sheets

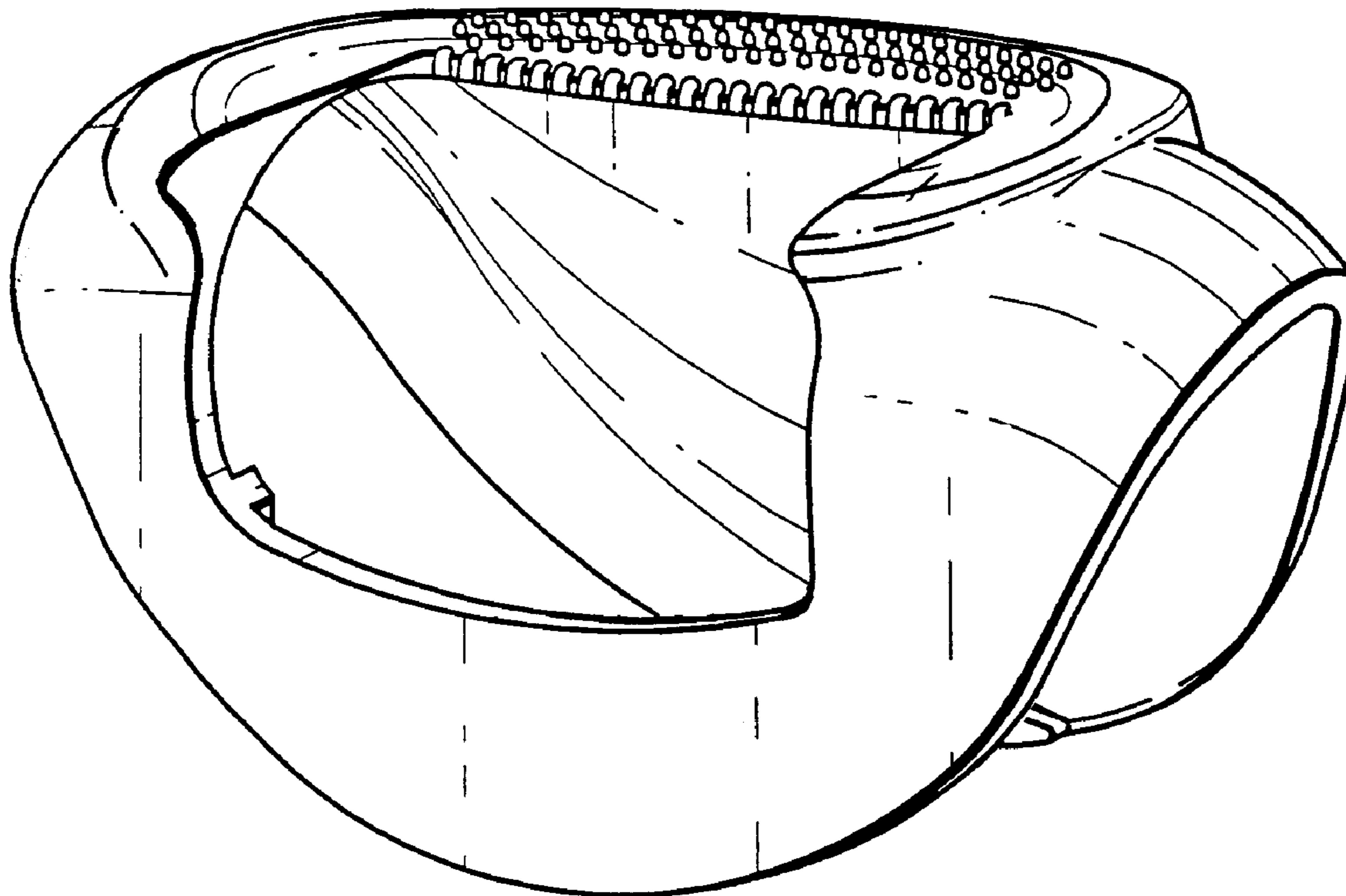


Fig. 1

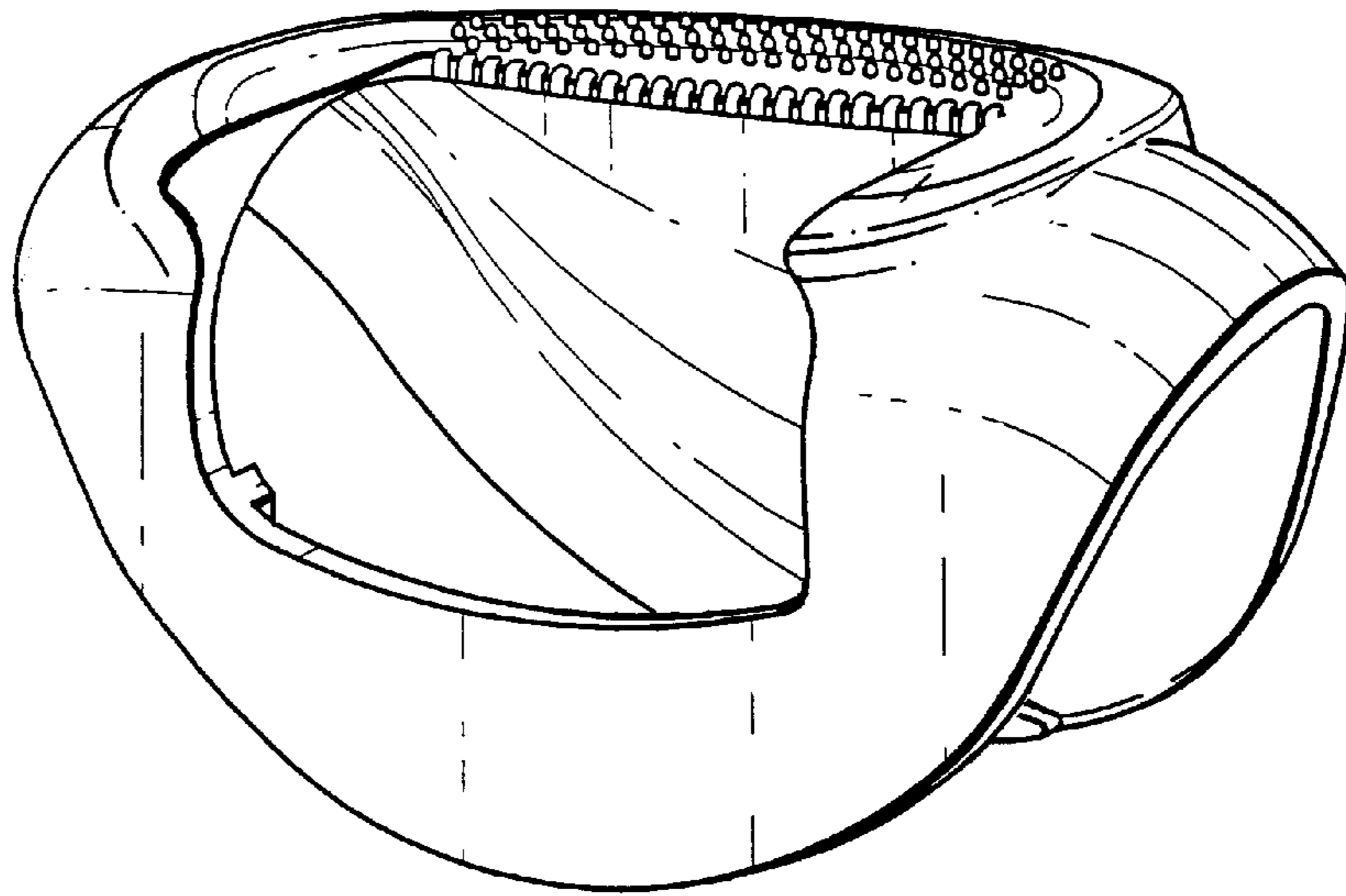


Fig. 2

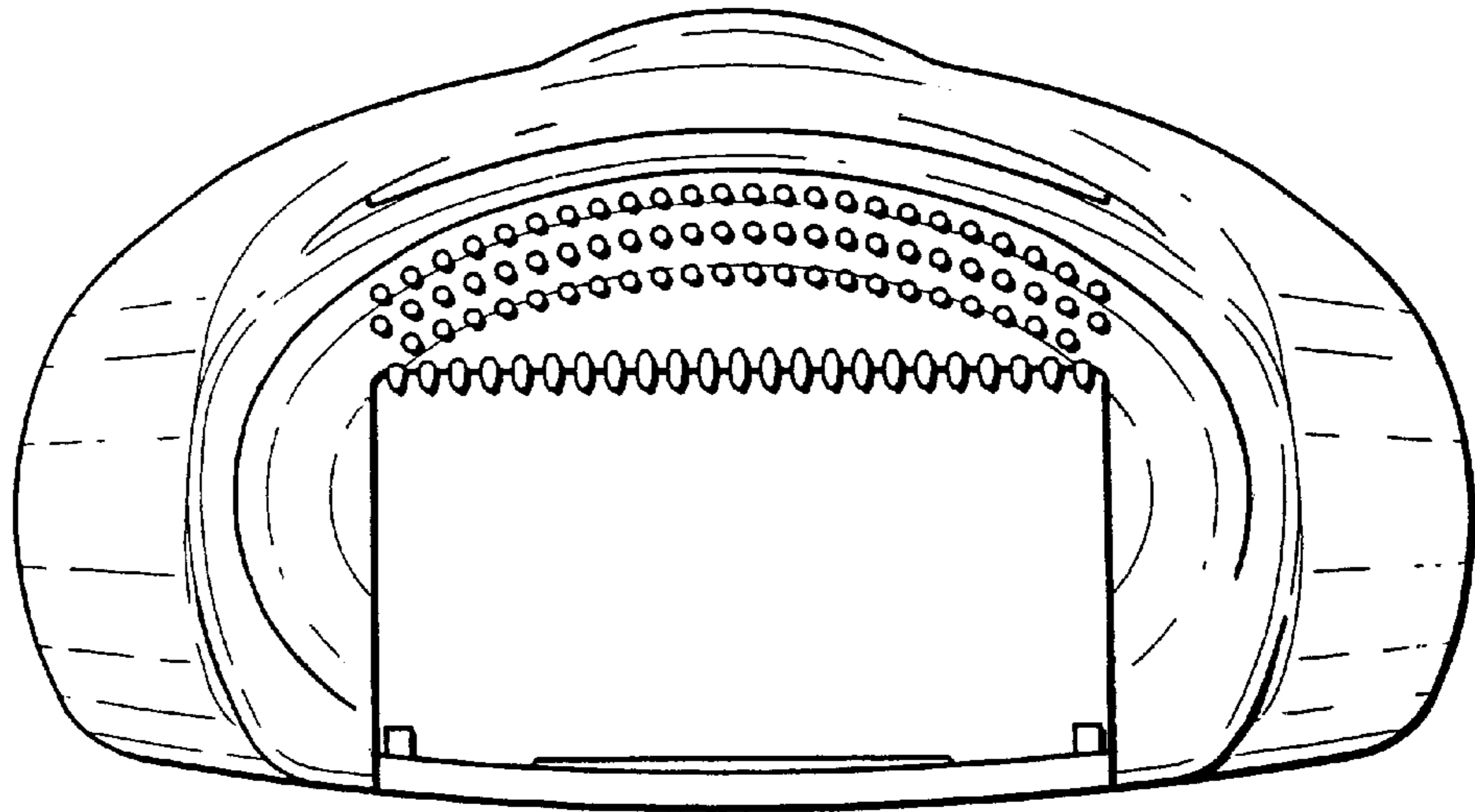


Fig. 3

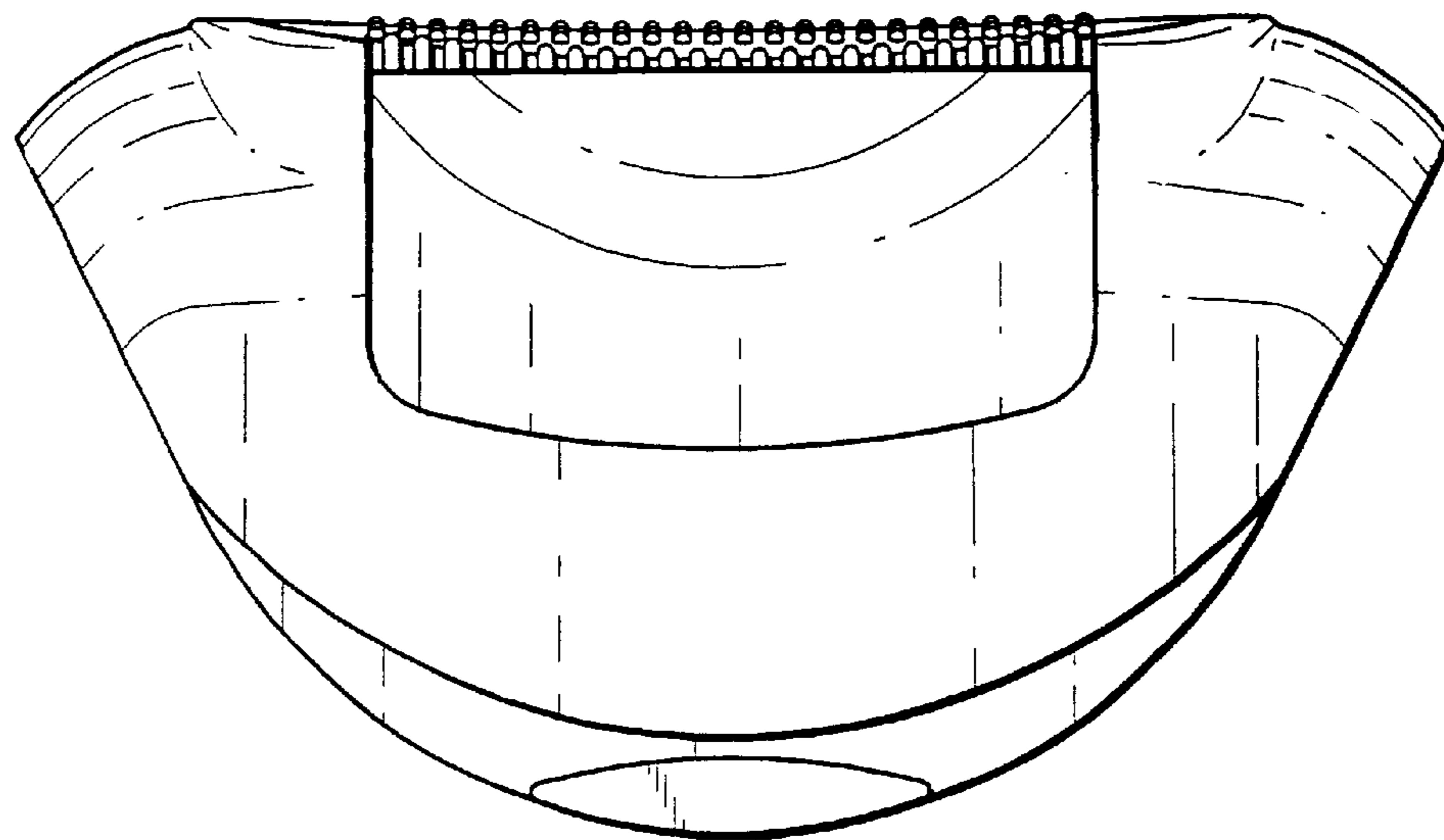


Fig. 4

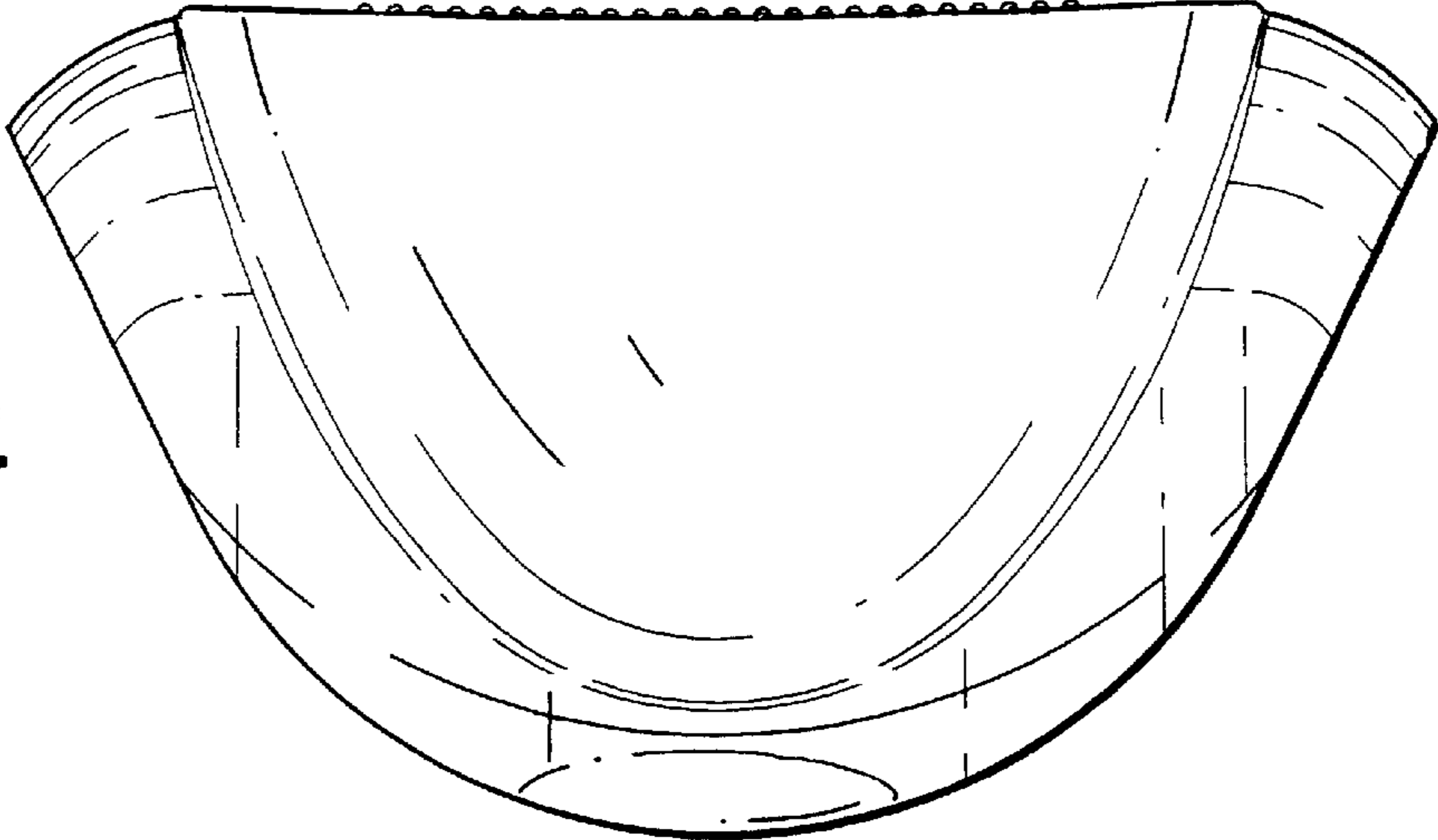


Fig. 5

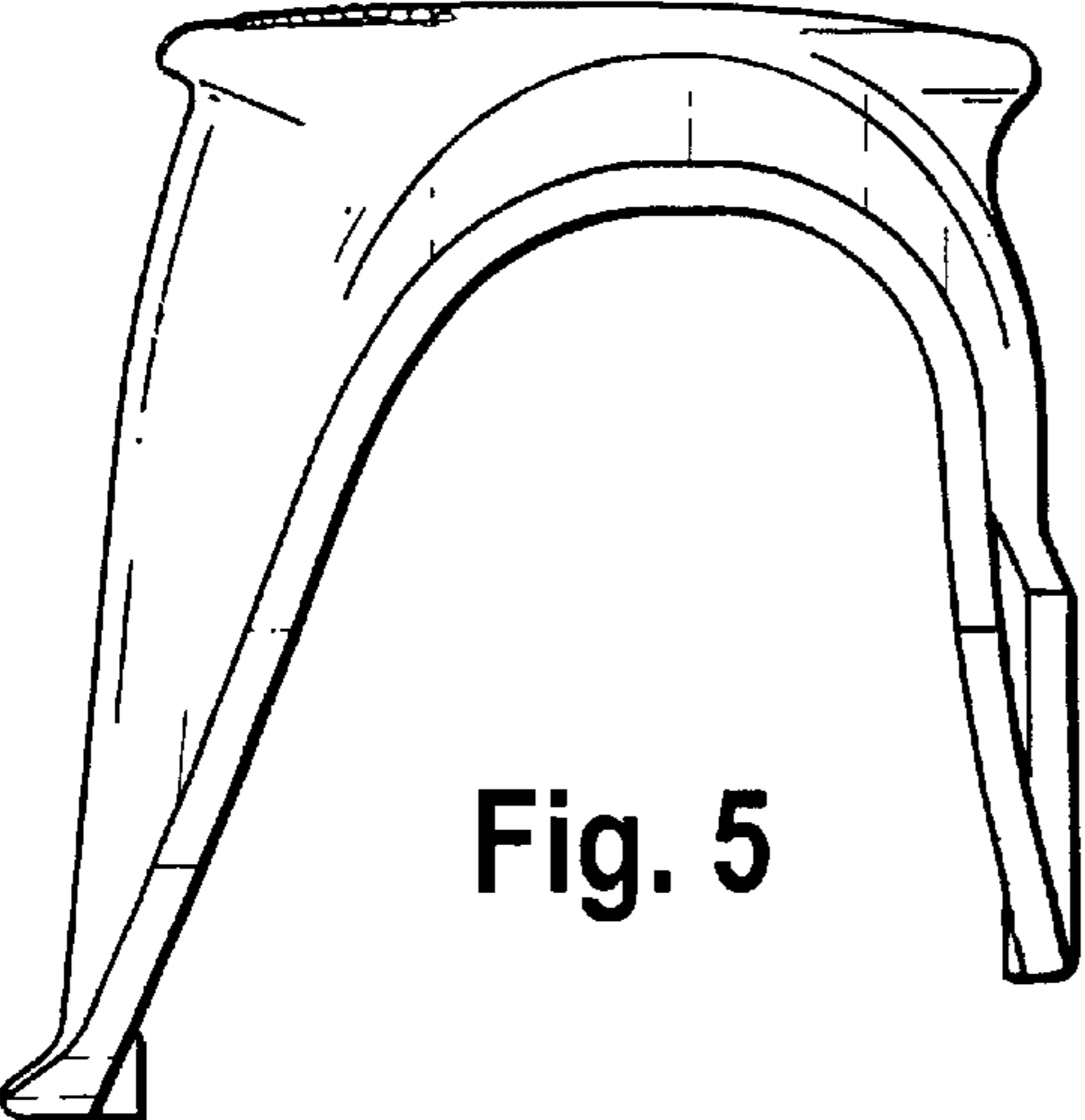


Fig. 6

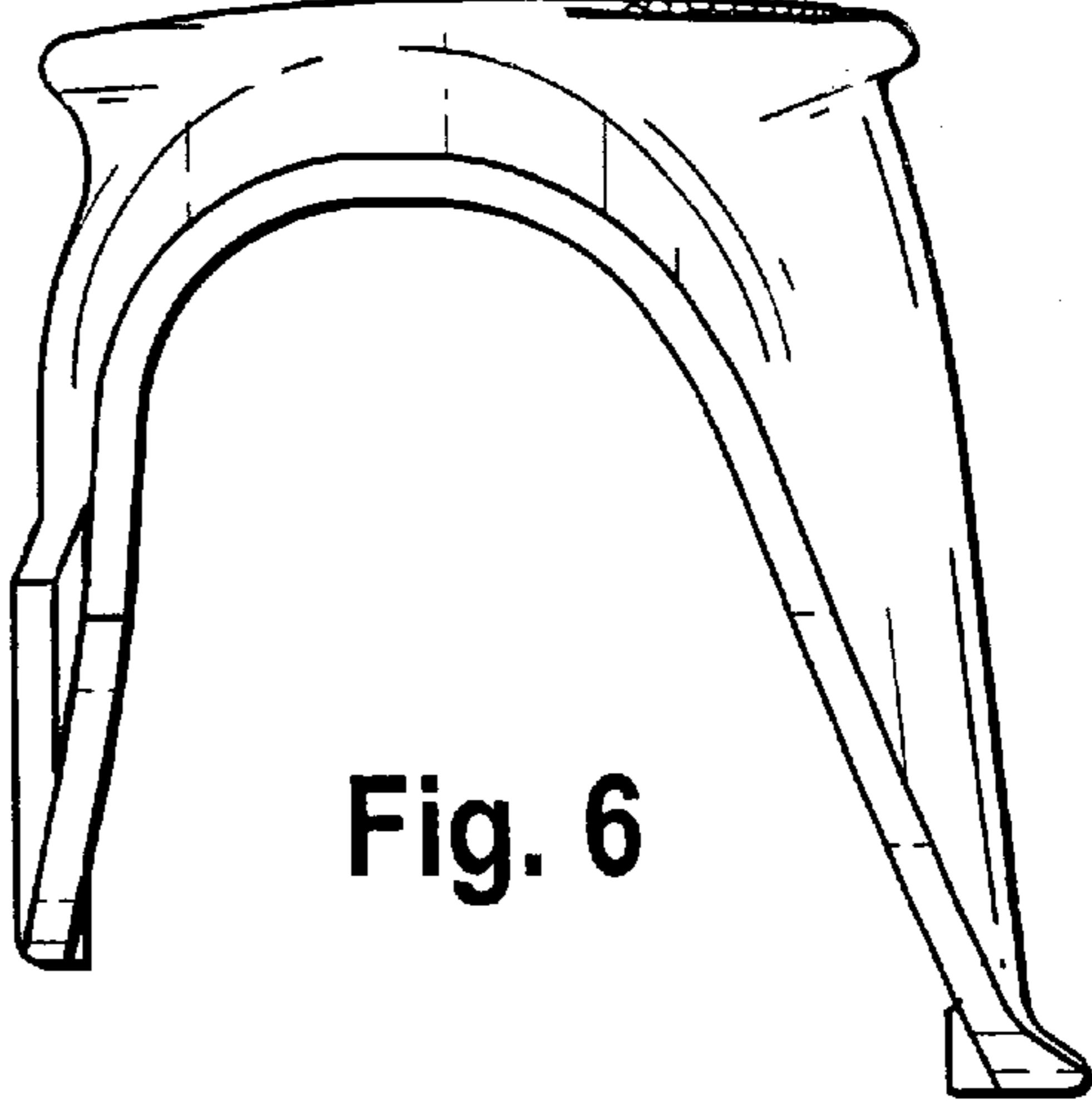


Fig. 7

